



US00D940303S

(12) **United States Design Patent** (10) **Patent No.:** **US D940,303 S**  
**Skakoon** (45) **Date of Patent:** **\*\* Jan. 4, 2022**

(54) **METERED DOSE TOPICAL APPLICATOR**

FOREIGN PATENT DOCUMENTS

(71) Applicant: **Reflex Medical Corp.**, North St. Paul, MN (US)

CN 201923348 U 8/2011  
DE 19735539 A1 2/1999

(Continued)

(72) Inventor: **James G. Skakoon**, St. Paul, MN (US)

OTHER PUBLICATIONS

(73) Assignee: **Reflex Medical Corp.**, St. Paul, MN (US)

International Search Report for Application No. PCT/US2018/012431, dated Apr. 27, 2018.

(\*\*) Term: **15 Years**

(Continued)

(21) Appl. No.: **29/691,170**

*Primary Examiner* — David G Muller

(22) Filed: **May 14, 2019**

(74) *Attorney, Agent, or Firm* — Christensen, Fonder, Dardi & Herbert PLLC

**Related U.S. Application Data**

(63) Continuation of application No. 29/634,748, filed on Jan. 24, 2018, now Pat. No. Des. 848,611.

(51) **LOC (13) Cl.** ..... **24-02**

(52) **U.S. Cl.**

USPC ..... **D24/119**

(58) **Field of Classification Search**

USPC ..... D24/119, 112–114, 108, 133, 130, 127, D24/186; 606/181, 185; 604/264, 272, 604/187, 181, 184, 227; 222/389, 262

CPC ..... A61M 35/003; A61M 5/178; A61M 3/00; A61M 5/20; A61M 5/31; A61M 5/3146; A61M 5/3129; A61M 5/3148; A61M 5/315; G01F 13/00; B05C 17/015

See application file for complete search history.

(56) **References Cited**

U.S. PATENT DOCUMENTS

282,866 A 8/1883 Earhart  
1,568,178 A 1/1926 Noble  
3,616,970 A 11/1971 Baumann et al.  
4,139,127 A 2/1979 Gentile  
4,369,158 A 1/1983 Woodruff et al.  
4,435,111 A 3/1984 Mizusawa

(Continued)

(57) **CLAIM**

The ornamental design for a metered dose topical applicator, as shown and described.

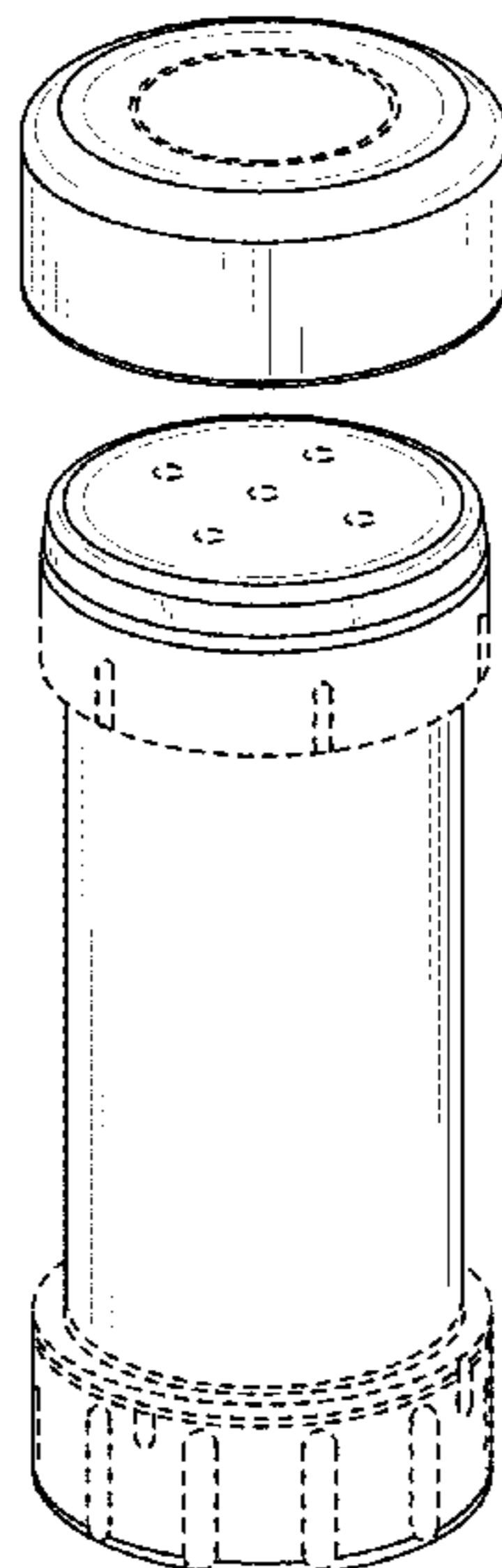
**DESCRIPTION**

FIG. 1 is a perspective view of the metered dose topical applicator with a cap removed. The view from the opposite side being identical thereto. The surface and features as shown continue around the metered dose topical applicator. FIG. 2 is a perspective view of the metered dose topical applicator with the cap in place.

FIG. 3 is a side elevational view of the metered dose topical applicator with the cap removed; and, FIG. 4 is a top plan view of the metered dose topical applicator with the cap in place.

The bottom view is omitted and features thereon form no part of the claimed design. Any features on the inside of the cap are not shown and form no part of the claimed invention. The broken lines in the figures show portions of the metered dose topical applicator that form no part of the claimed design.

**1 Claim, 3 Drawing Sheets**



(56)

References Cited

U.S. PATENT DOCUMENTS

4,595,124 A 6/1986 Duval et al.  
 4,600,344 A 7/1986 Sutenbach et al.  
 4,828,444 A 5/1989 Oshida  
 5,098,242 A 3/1992 Schaty  
 5,143,259 A 9/1992 Williams  
 5,295,615 A \* 3/1994 Gentile ..... B65D 83/0005  
 222/327  
 5,368,388 A 11/1994 Fillon  
 5,397,178 A 3/1995 Konietzko  
 5,489,280 A 2/1996 Russell  
 5,518,145 A 5/1996 Chen  
 5,531,703 A 7/1996 Skwarek et al.  
 5,535,925 A 7/1996 Hinden et al.  
 5,547,302 A 8/1996 Dombusch et al.  
 5,720,415 A 2/1998 Morningstar  
 5,725,133 A 3/1998 Lai  
 5,851,079 A 12/1998 Horstman et al.  
 5,947,621 A 9/1999 Szekely  
 6,129,471 A 10/2000 Lang  
 6,186,686 B1 2/2001 Neuner et al.  
 6,375,047 B1 4/2002 Herda et al.  
 6,551,611 B2 4/2003 Elliesen et al.  
 6,786,365 B2 \* 9/2004 Kim ..... A61M 39/20  
 222/389  
 6,811,364 B2 11/2004 Kelzer  
 6,905,272 B2 6/2005 Yamanaka  
 6,945,435 B2 9/2005 Salamini  
 6,976,609 B2 12/2005 Konietzko  
 7,070,318 B2 7/2006 Renfro  
 7,086,564 B1 8/2006 Corrigan  
 7,213,994 B2 5/2007 Phipps et al.  
 7,293,936 B1 11/2007 Warren  
 7,296,714 B2 11/2007 Byerly  
 7,303,348 B2 12/2007 Phipps et al.  
 7,325,707 B2 2/2008 Bougamont et al.  
 7,334,709 B1 \* 2/2008 Huang ..... B05C 17/015  
 222/334  
 7,399,113 B2 7/2008 Konietzko  
 7,637,398 B2 12/2009 Sung  
 7,748,892 B2 7/2010 McCoy  
 7,751,934 B2 7/2010 Konietzko  
 7,751,935 B2 7/2010 Kwak et al.  
 7,946,780 B2 5/2011 Zhang  
 7,954,601 B2 6/2011 Graf  
 8,104,647 B2 1/2012 Bober et al.  
 8,245,888 B2 8/2012 Andersen et al.  
 8,292,532 B2 10/2012 Nasu et al.  
 8,544,684 B2 10/2013 Perez

8,777,057 B2 7/2014 Fiedler  
 8,950,993 B2 2/2015 Gagne et al.  
 9,097,571 B2 8/2015 Phipps et al.  
 9,400,084 B2 \* 7/2016 Noordover ..... F16N 21/06  
 D786,088 S \* 5/2017 Wilson ..... D9/688  
 9,975,656 B2 \* 5/2018 Smith ..... B65D 83/64  
 D848,611 S \* 5/2019 Skakoon ..... D24/119  
 10,301,104 B2 \* 5/2019 Smith ..... B65D 83/64  
 2003/0102335 A1 \* 6/2003 Barnett ..... B05B 9/0838  
 222/386.5  
 2003/0164387 A1 \* 9/2003 Grach ..... G01F 11/026  
 222/389  
 2004/0102741 A1 5/2004 Paulhus  
 2004/0134929 A1 \* 7/2004 Scheindel ..... B65D 83/64  
 222/1  
 2005/0036823 A1 2/2005 Butcher et al.  
 2005/0224513 A1 \* 10/2005 Strong ..... B05B 1/306  
 222/1  
 2005/0242118 A1 \* 11/2005 Van der Heijden .....  
 B05B 11/3085  
 222/137  
 2008/0101850 A1 5/2008 Wojcik et al.  
 2012/0205393 A1 8/2012 Perez  
 2012/0269029 A1 10/2012 Konietzko et al.  
 2014/0031323 A1 1/2014 Perez  
 2014/0166776 A1 6/2014 Fang et al.  
 2014/0221943 A1 8/2014 Carrara et al.  
 2014/0221945 A1 8/2014 Dos Santos et al.  
 2015/0020173 A1 7/2015 Swaile et al.  
 2015/0366321 A1 12/2015 Anderson  
 2016/0129228 A1 5/2016 Perez  
 2017/0050157 A1 2/2017 Konietzko

FOREIGN PATENT DOCUMENTS

DE 29724902 U1 9/2005  
 DE 19735539 B4 1/2010  
 DE 102010044227 A1 3/2012  
 DE 102012110986 A1 5/2013  
 EP 0312165 A2 4/1989  
 EP 1452109 A1 9/2004  
 WO WO 2014/121259 8/2014  
 WO WO 2016/062584 A1 4/2016  
 WO WO 2016061400 A1 4/2016

OTHER PUBLICATIONS

Supplementary European Search Report for Application No. EP18736620 dated Dec. 4, 2020. 7 pages.

\* cited by examiner

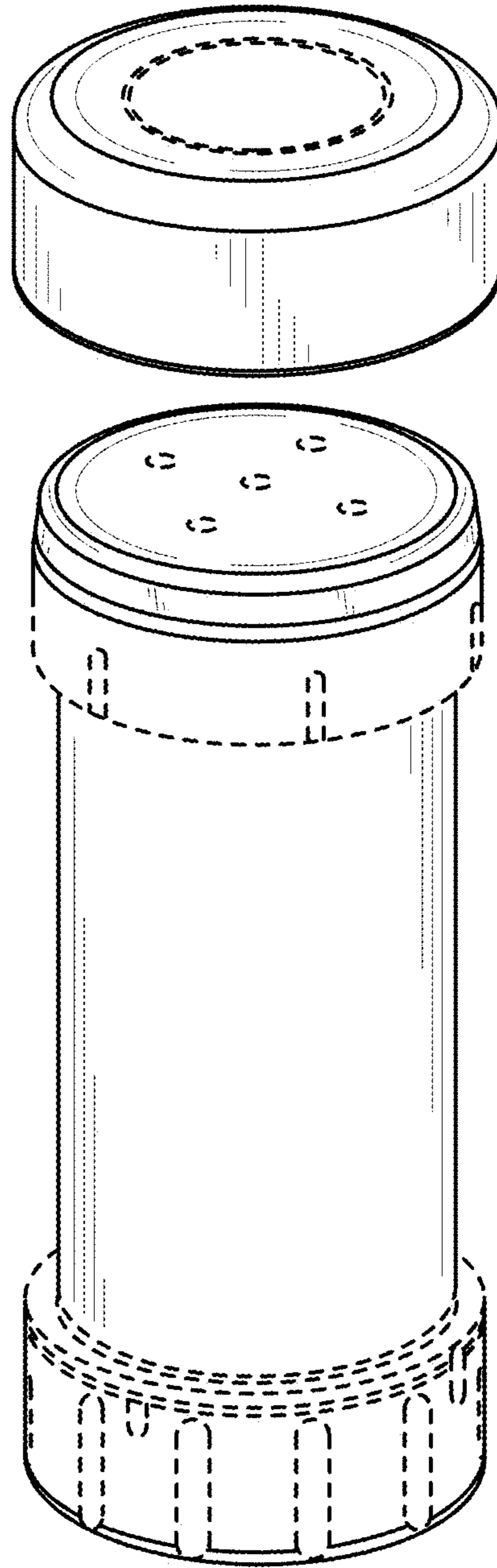


FIG. 1

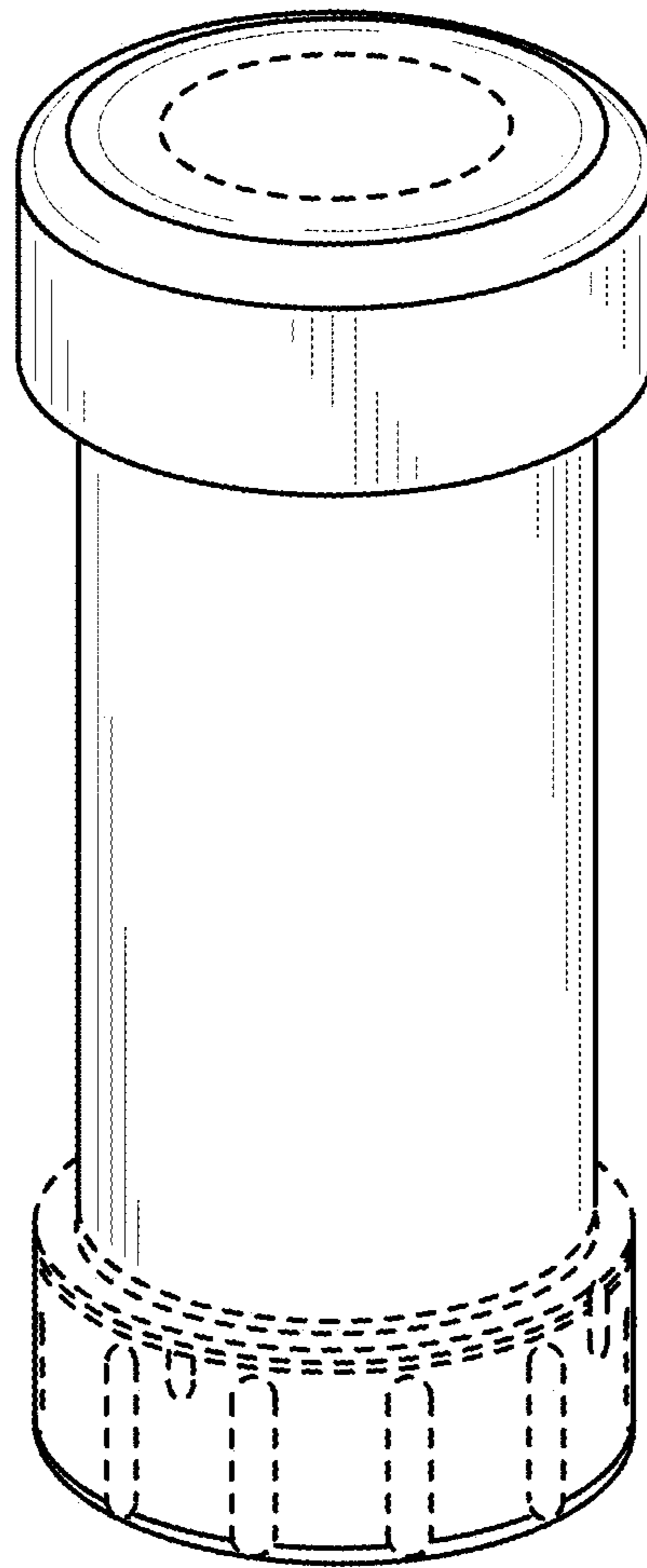


FIG. 2

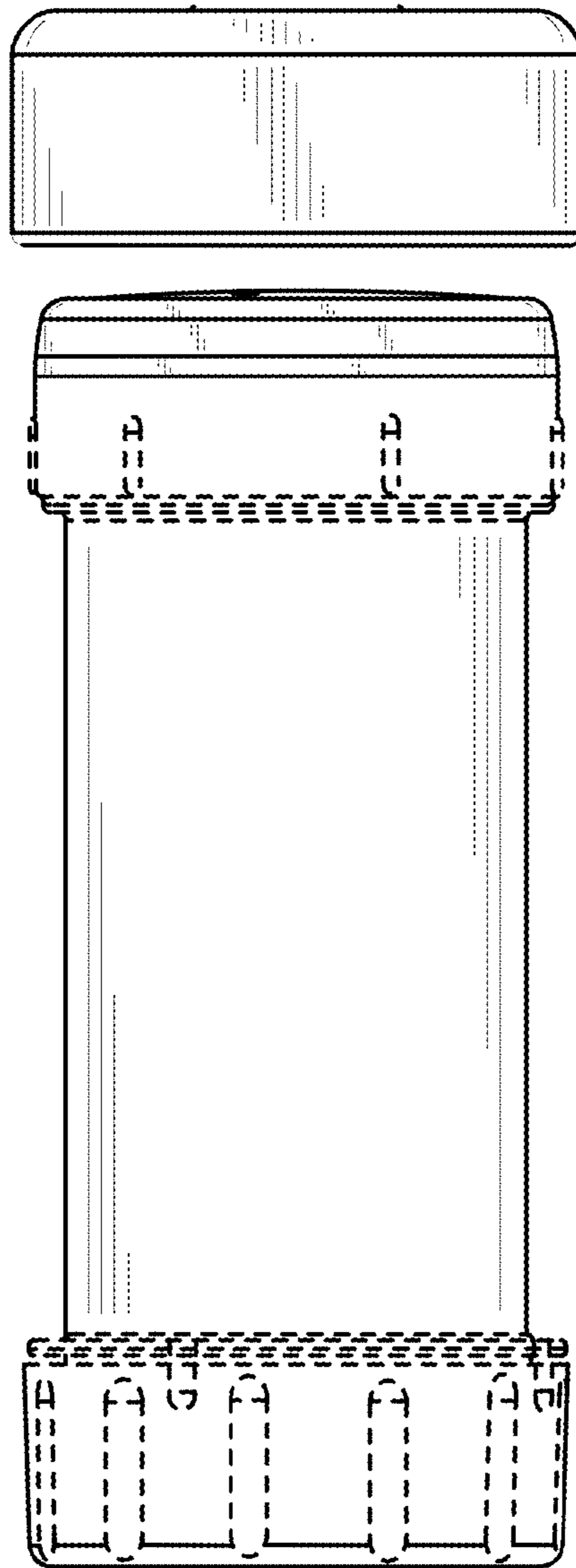


FIG. 3

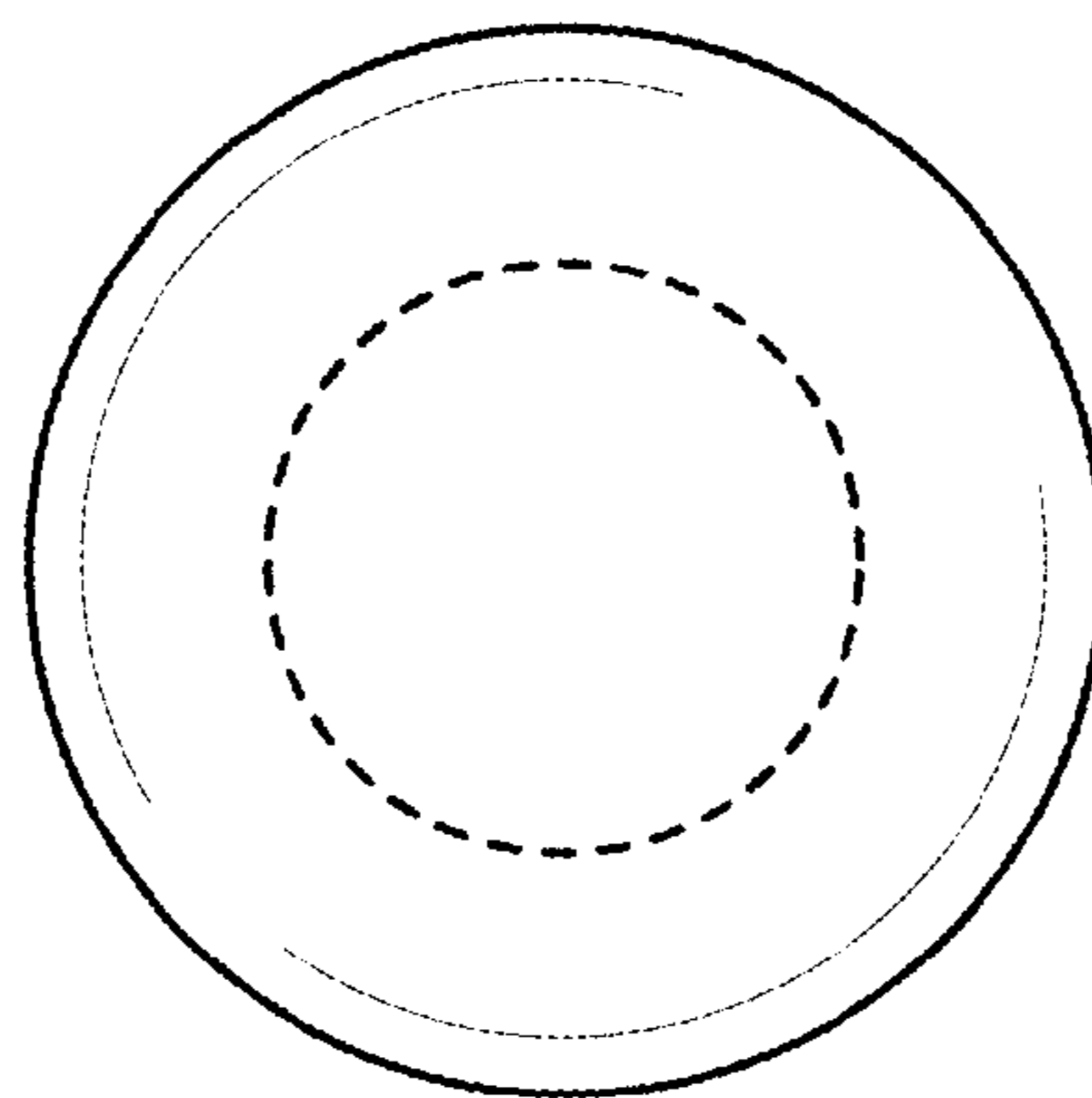


FIG. 4