



US00D940302S

(12) **United States Design Patent** (10) **Patent No.:** **US D940,302 S**
Wu (45) **Date of Patent:** **** Jan. 4, 2022**

(54) **NEEDLELESS INJECTOR**
(71) Applicant: **Injex Pharma GmbH**, Belin (DE)
(72) Inventor: **Rongrong Wu**, Belin (DE)
(**) Term: **15 Years**
(21) Appl. No.: **29/721,274**
(22) Filed: **Jan. 20, 2020**
(51) **LOC (13) Cl.** **24-02**
(52) **U.S. Cl.**
USPC **D24/113**
(58) **Field of Classification Search**
USPC D24/112-114, 108, 130, 127, 133, 186;
606/181, 185; 604/264, 523-528, 272,
604/164.01-164.11, 187, 93.01; 600/101,
600/139, 143; 128/200.24, 207.14,
128/207.15
CPC .. A61M 25/065; A61M 5/42; A61M 25/0612;
A61M 25/00; A61M 39/00; A61M 27/00;
A61M 25/0043; A61M 25/0067; A61M
25/0097; A61F 2/958
See application file for complete search history.

(56) **References Cited**
U.S. PATENT DOCUMENTS
6,530,937 B1 * 3/2003 Schraga A61M 3/00
606/182
8,708,973 B2 * 4/2014 Holmqvist A61M 5/31515
604/211

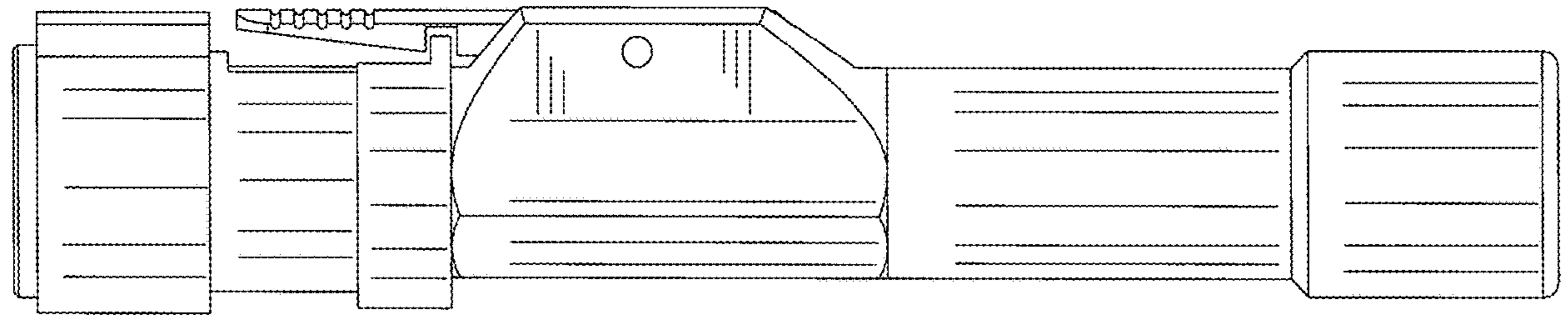
D827,127 S * 8/2018 Donnelly D24/113
D830,539 S * 10/2018 Boyaval D24/113
D862,690 S * 10/2019 Jansen D24/113
D869,647 S * 12/2019 Dorsey D24/112
D888,942 S * 6/2020 Cannamela D24/114
D897,185 S * 9/2020 Perkins, Jr D8/303
D903,109 S * 11/2020 Wildenhahn D24/113
D903,856 S * 12/2020 Nicholas D24/113
D908,210 S * 1/2021 Saint D24/113
D910,837 S * 2/2021 Ono D24/112
D915,579 S * 4/2021 Anderson D24/113

* cited by examiner
Primary Examiner — David G Muller
(74) *Attorney, Agent, or Firm* — Prakash Nama; Global IP Services, PLLC

(57) **CLAIM**
The ornamental design for a needleless injector, as shown and described.

DESCRIPTION
FIG. 1 is a front elevational view of a needleless injector showing my new design;
FIG. 2 is a rear elevational view thereof;
FIG. 3 is a left side view thereof;
FIG. 4 is a right side view thereof;
FIG. 5 is a top plan view thereof;
FIG. 6 is a bottom plan view thereof;
FIG. 7 is a perspective view thereof; and,
FIG. 8 is another perspective view thereof.
The broken lines shown in needleless injector form no part of the claimed design.

1 Claim, 8 Drawing Sheets



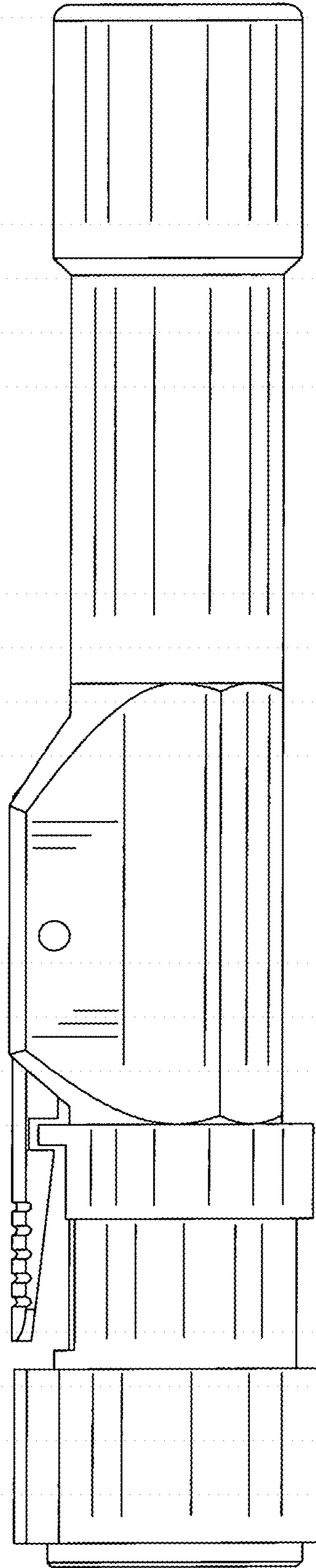


FIG. 1

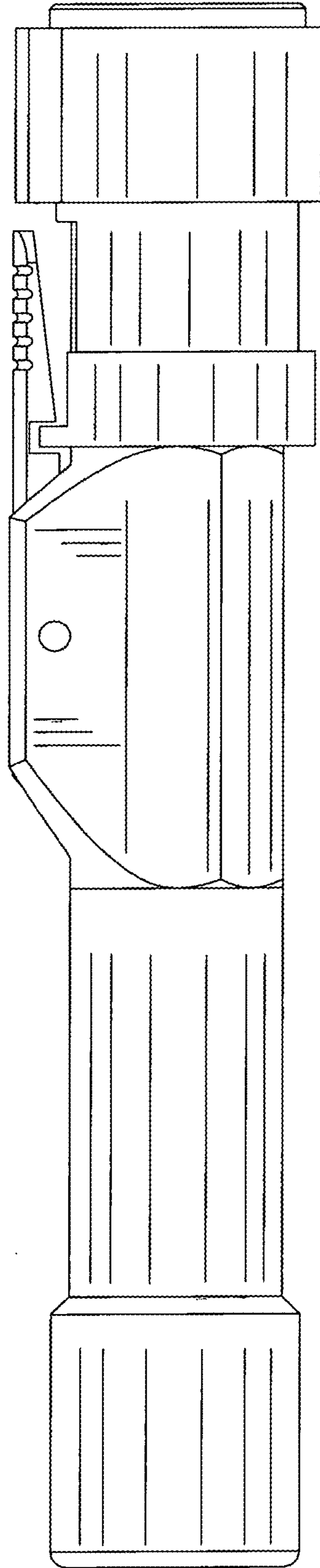


FIG. 2

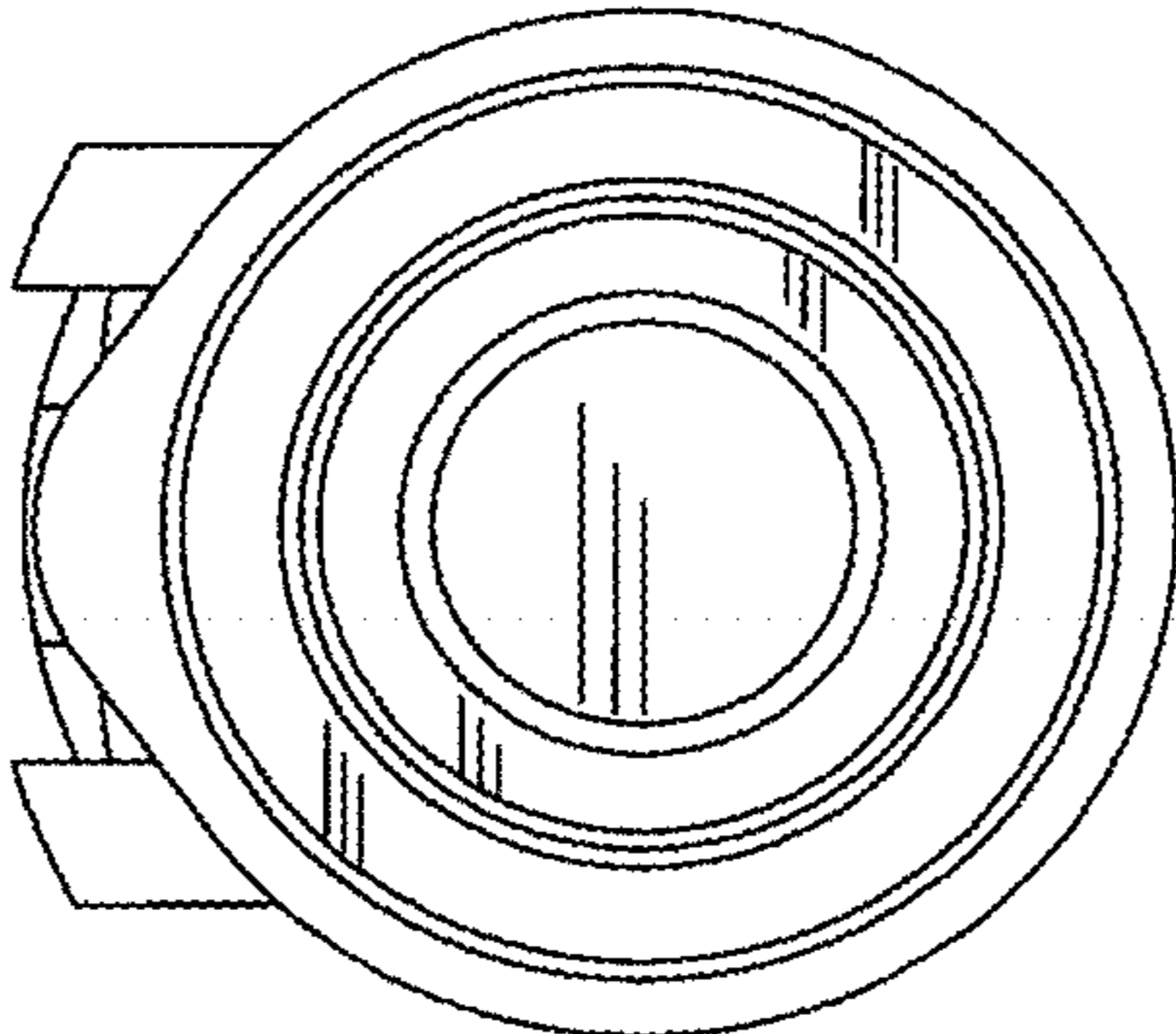


FIG. 3

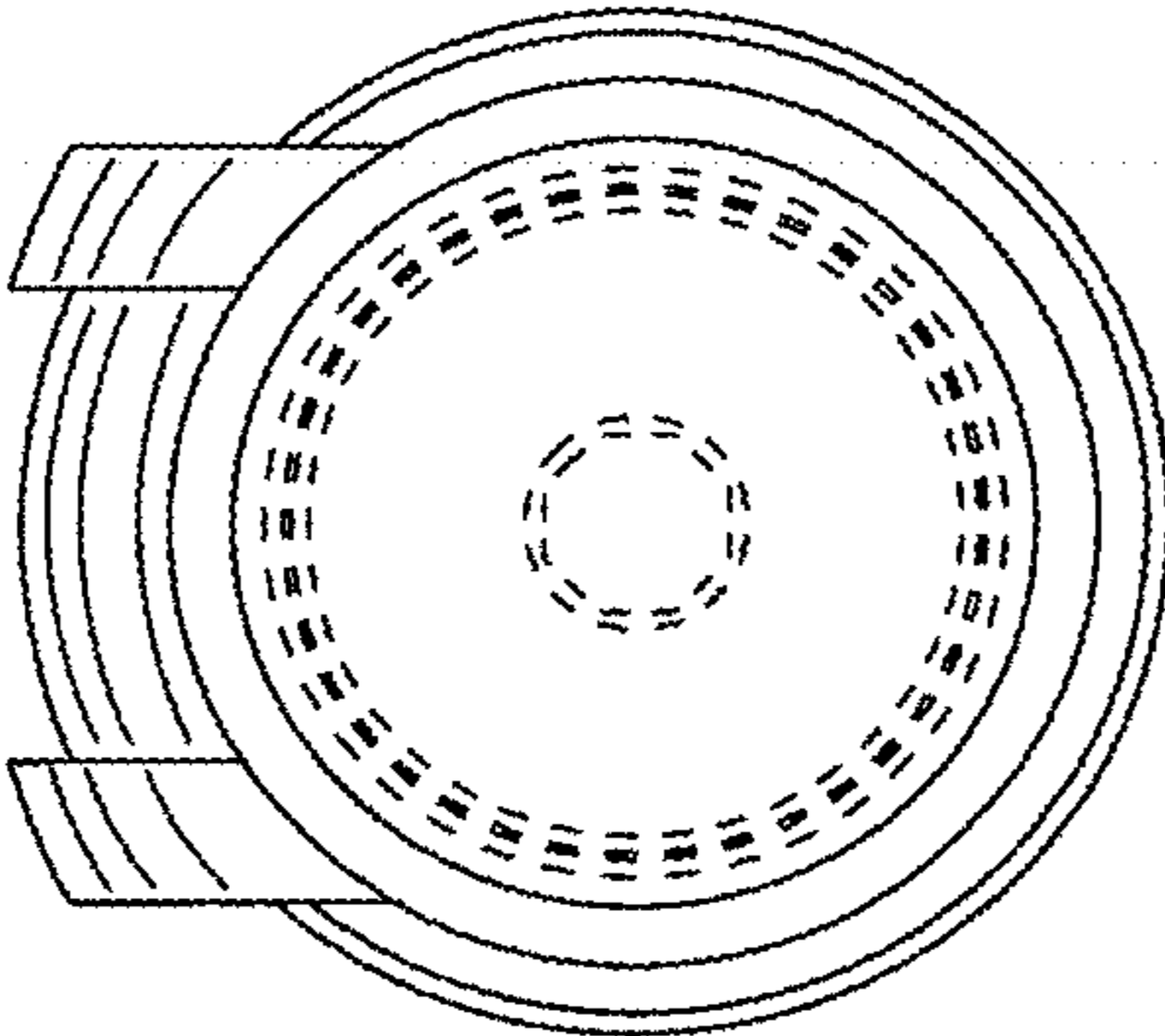


FIG. 4

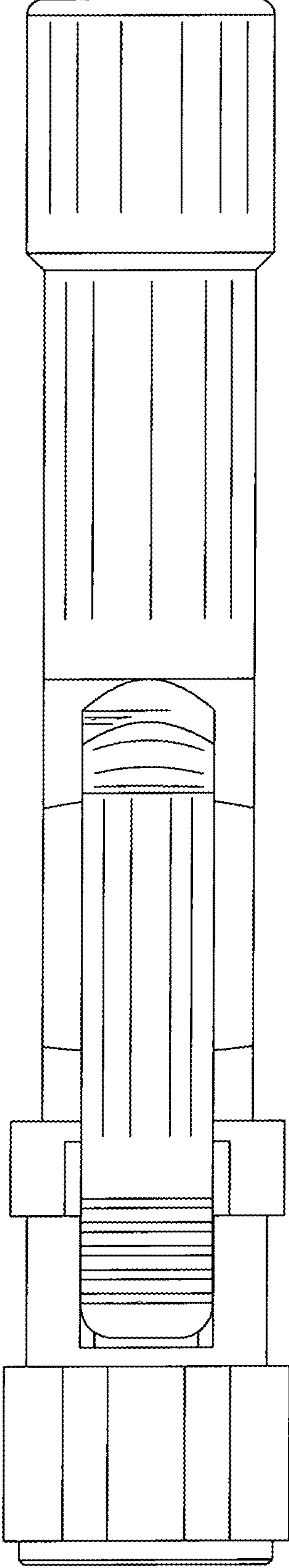


FIG. 5

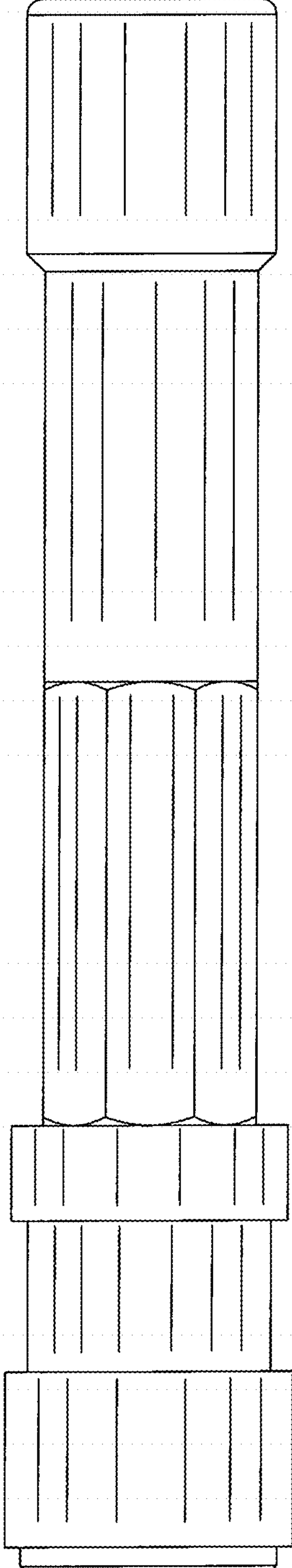


FIG. 6

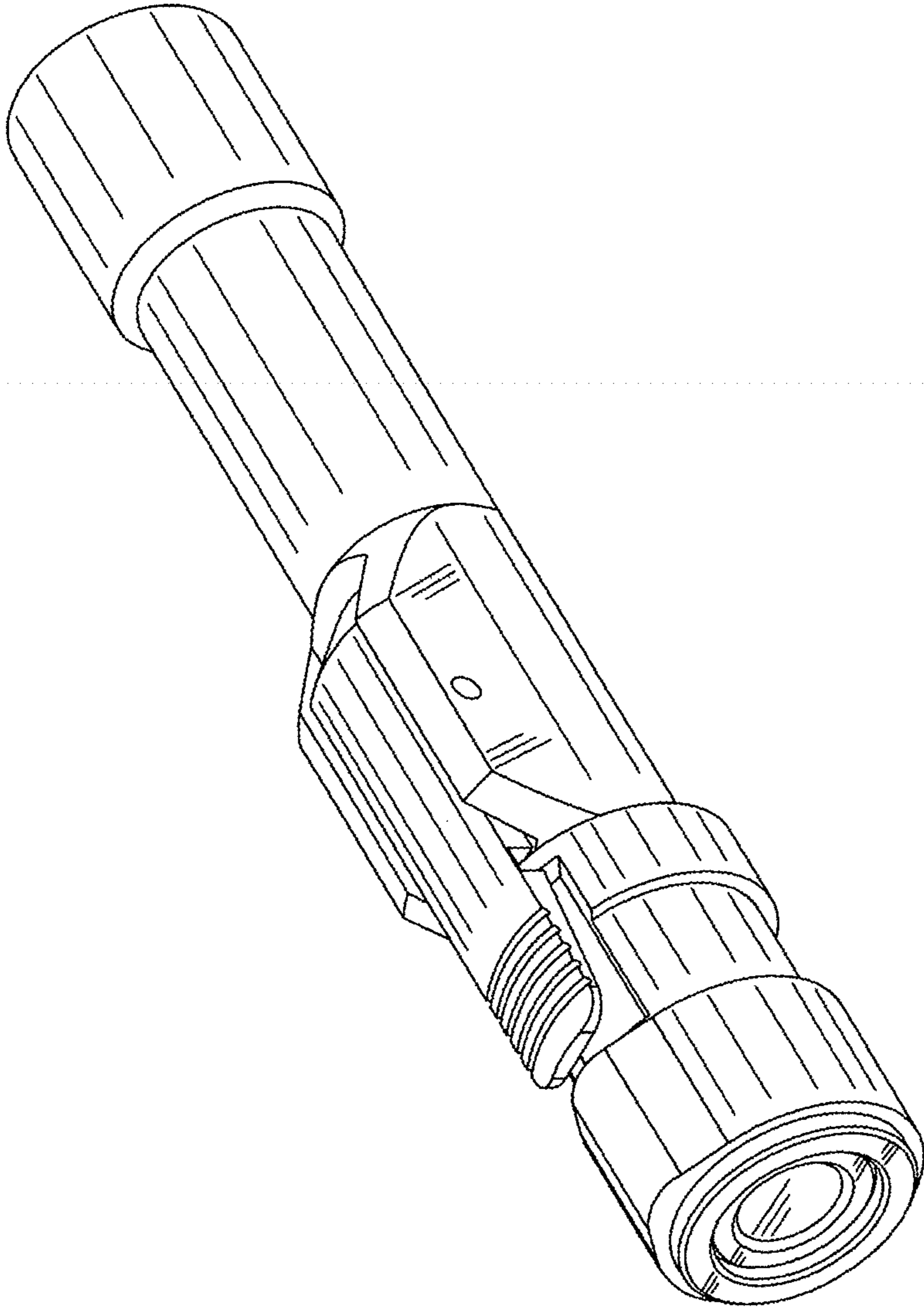


FIG. 7

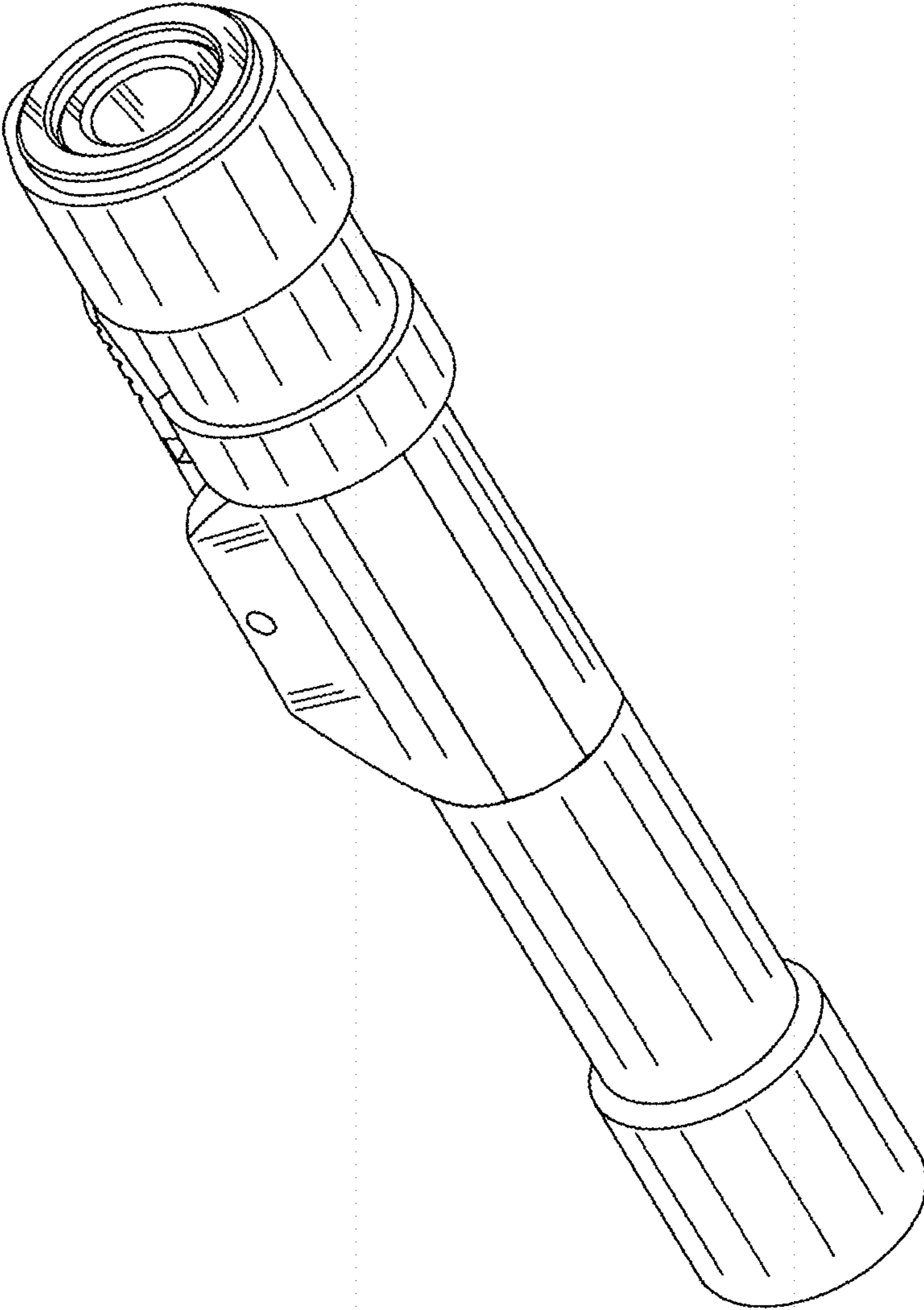


FIG. 8