



US00D940301S

(12) **United States Design Patent** (10) **Patent No.:** **US D940,301 S**  
**Senff et al.** (45) **Date of Patent:** **\*\* Jan. 4, 2022**

- (54) **ORAL IRRIGATOR RESERVOIR**
- (71) Applicant: **WATER PIK, INC.**, Fort Collins, CO (US)
- (72) Inventors: **Oscar Senff**, Broomfield, CO (US);  
**Jeffrey Ladwig**, Seattle, WA (US);  
**Adam Weisgerber**, Shoreline, WA (US)
- (73) Assignee: **WATER PIK, INC.**, Fort Collins, CO (US)
- (\*\*) Term: **15 Years**
- (21) Appl. No.: **29/770,118**
- (22) Filed: **Feb. 9, 2021**

- D740,936 S 10/2015 Kim et al.
- D782,657 S 3/2017 Williams
- D783,810 S 4/2017 Kim et al.
- D786,422 S 5/2017 Au et al.
- 9,642,677 B2 5/2017 Luttegen et al.
- D794,773 S 8/2017 Senff et al.
- D796,028 S 8/2017 Senff et al.
- D798,440 S 9/2017 Kim et al.
- D802,119 S 11/2017 Kim
- D809,650 S 2/2018 Kim et al.
- 9,980,793 B2 5/2018 Wagner et al.
- D822,196 S 7/2018 Kim
- D822,825 S 7/2018 Au et al.
- D822,826 S 7/2018 Au et al.
- 10,016,254 B2 7/2018 Luttegen

(Continued)

**Related U.S. Application Data**

- (63) Continuation of application No. 29/705,391, filed on Sep. 11, 2019, now Pat. No. Des. 913,485.
- (51) **LOC (13) Cl.** ..... **24-02**
- (52) **U.S. Cl.**  
USPC ..... **D24/111**
- (58) **Field of Classification Search**  
USPC ..... D24/108, 111-115, 117, 152, 176  
CPC ..... A61C 17/20; A61C 17/00; A61C 17/005;  
A61C 17/02; A61C 17/0202; A61C  
17/0205; A61C 17/0211; A61C 17/36;  
A61C 17/028; A61C 17/22; A61C  
17/222; A61C 17/225; A61C 17/28  
See application file for complete search history.

**References Cited**

**U.S. PATENT DOCUMENTS**

- 3,425,410 A 2/1969 Cammack
- D565,175 S 3/2008 Boyd et al.
- D714,929 S 10/2014 Kim et al.
- 8,888,727 B2 11/2014 Boyd et al.

**OTHER PUBLICATIONS**

Design U.S. Appl. No. 29/668,454, filed Oct. 30, 2018, entitled "Oral Irrigator Handle".

(Continued)

*Primary Examiner* — Lilyana Bekic

(74) *Attorney, Agent, or Firm* — Dorsey & Whitney LLP

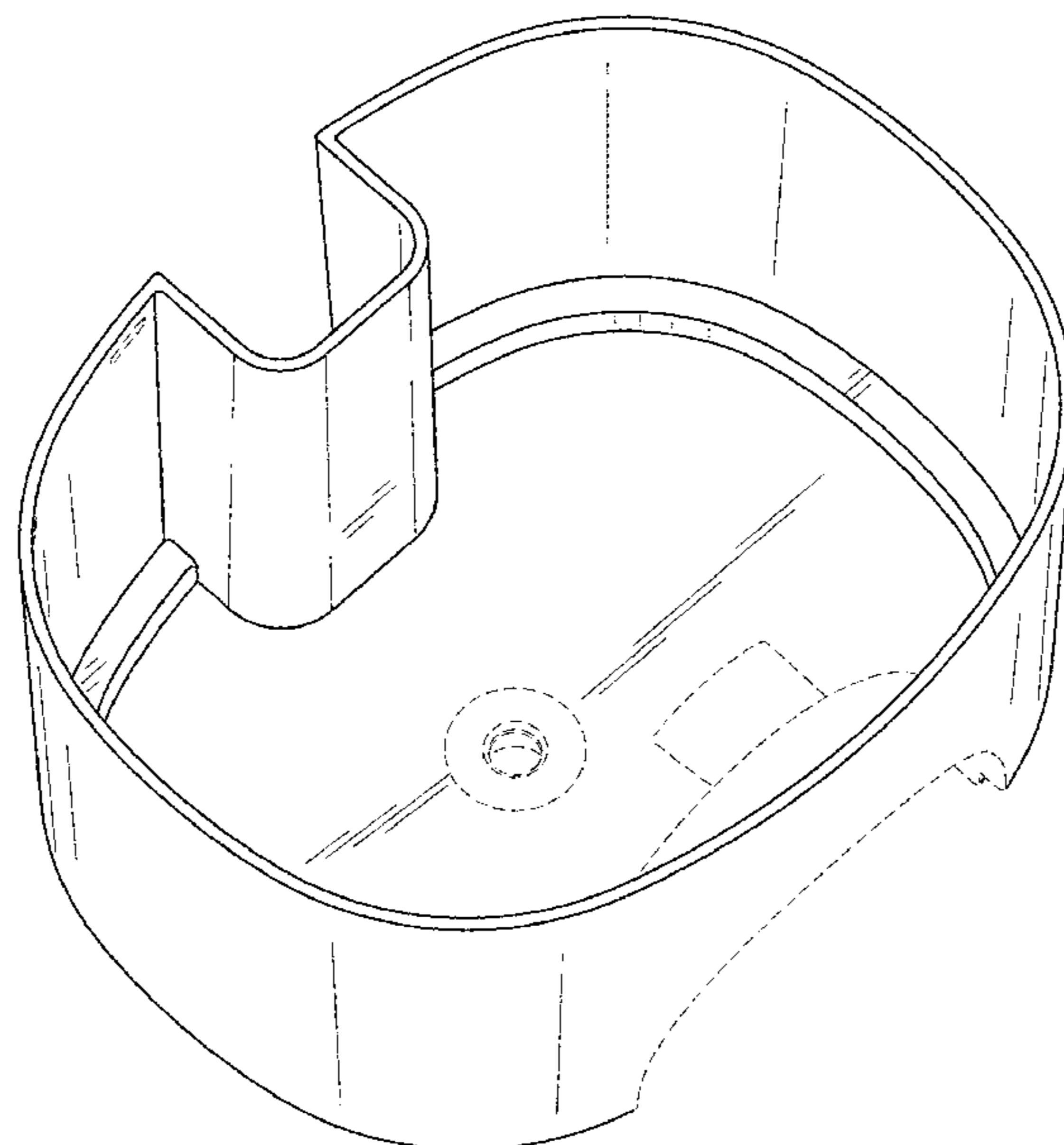
**CLAIM**

We claim the ornamental design for an oral irrigator reservoir, as shown and described.

**DESCRIPTION**

FIG. 1 is a front isometric view of an oral irrigator reservoir.  
 FIG. 2 is a front elevation view thereof.  
 FIG. 3 is a rear elevation view thereof.  
 FIG. 4 is a left side elevation view thereof.  
 FIG. 5 is a right side elevation view thereof.  
 FIG. 6 is a top plan view thereof; and,  
 FIG. 7 is a bottom plan view thereof.  
 The broken lines illustrate portions of the oral irrigator reservoir that form no part of the claimed design.

**1 Claim, 7 Drawing Sheets**



(56)

**References Cited**

U.S. PATENT DOCUMENTS

10,022,207 B2 7/2018 Taylor et al.  
 D825,741 S 8/2018 Massie et al.  
 D829,886 S 10/2018 Massie et al.  
 D829,887 S 10/2018 Massie  
 D832,418 S 10/2018 Porter et al.  
 D832,419 S 10/2018 Porter et al.  
 D832,420 S 10/2018 Porter et al.  
 D833,000 S 11/2018 Porter et al.  
 D833,600 S 11/2018 Porter et al.  
 D833,601 S 11/2018 Massie et al.  
 D833,602 S 11/2018 Massie et al.  
 D834,180 S 11/2018 Porter et al.  
 D839,409 S 1/2019 Massie et al.  
 D840,022 S 2/2019 Porter et al.  
 D840,023 S 2/2019 Massie et al.  
 D851,239 S 6/2019 Chen  
 D857,881 S 8/2019 Massie et al.  
 D858,750 S 9/2019 Porter et al.  
 D859,644 S 9/2019 Porter et al.  
 D867,579 S 11/2019 Porter et al.  
 D872,855 S 1/2020 Porter et al.  
 D877,324 S 3/2020 Massie et al.  
 D880,688 S 4/2020 Kim

D889,636 S 7/2020 Senff  
 D893,017 S 8/2020 Porter et al.  
 D896,953 S \* 9/2020 Kim ..... D24/111  
 10,779,922 B2 9/2020 Wagner et al.  
 D901,675 S 11/2020 Ross et al.  
 D907,197 S \* 1/2021 Ross ..... D24/111  
 D912,241 S \* 3/2021 Senff ..... D24/111  
 D913,485 S \* 3/2021 Senff ..... D24/111  
 11,104,565 B2 \* 8/2021 Cazeneuve ..... A61C 17/00  
 2017/0209234 A1 7/2017 Senff et al.  
 2018/0168784 A1 6/2018 Taylor et al.  
 2018/0168785 A1 6/2018 Wagner et al.  
 2018/0263742 A1 9/2018 Taylor et al.  
 2020/0268494 A1 8/2020 Senff

OTHER PUBLICATIONS

Design U.S. Appl. No. 29/668,462, filed Oct. 30, 2018, entitled  
 "Oral Irrigator Reservoir".  
 Design U.S. Appl. No. 29/668,464, filed Oct. 30, 2018, entitled  
 "Oral Irrigator".  
 U.S. Appl. No. 62/809,466, filed Feb. 22, 2019, entitled "Countertop  
 Water Flosser".  
 U.S. Appl. No. 29/705,391, filed Sep. 11, 2019.

\* cited by examiner

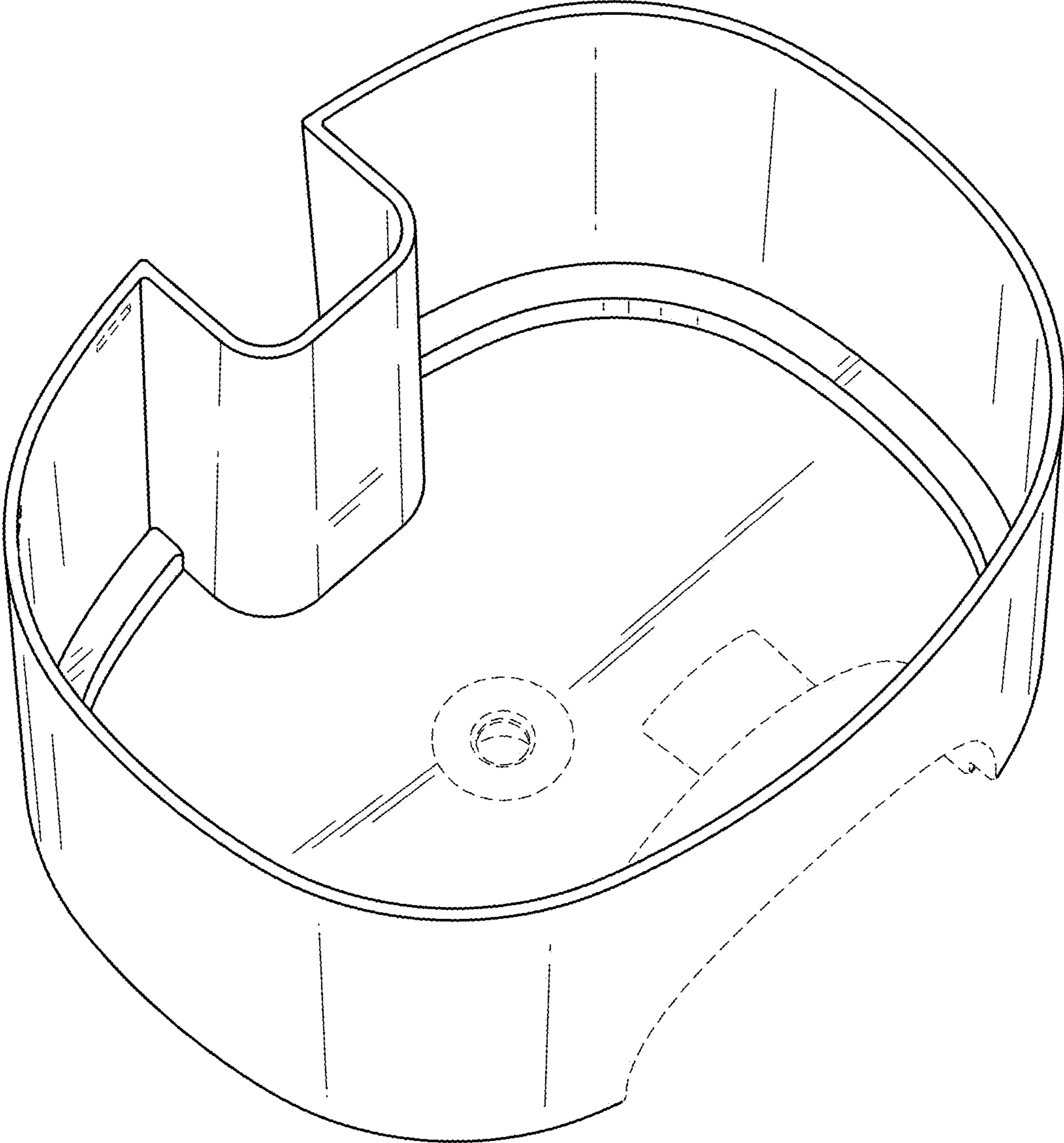


FIG. 1

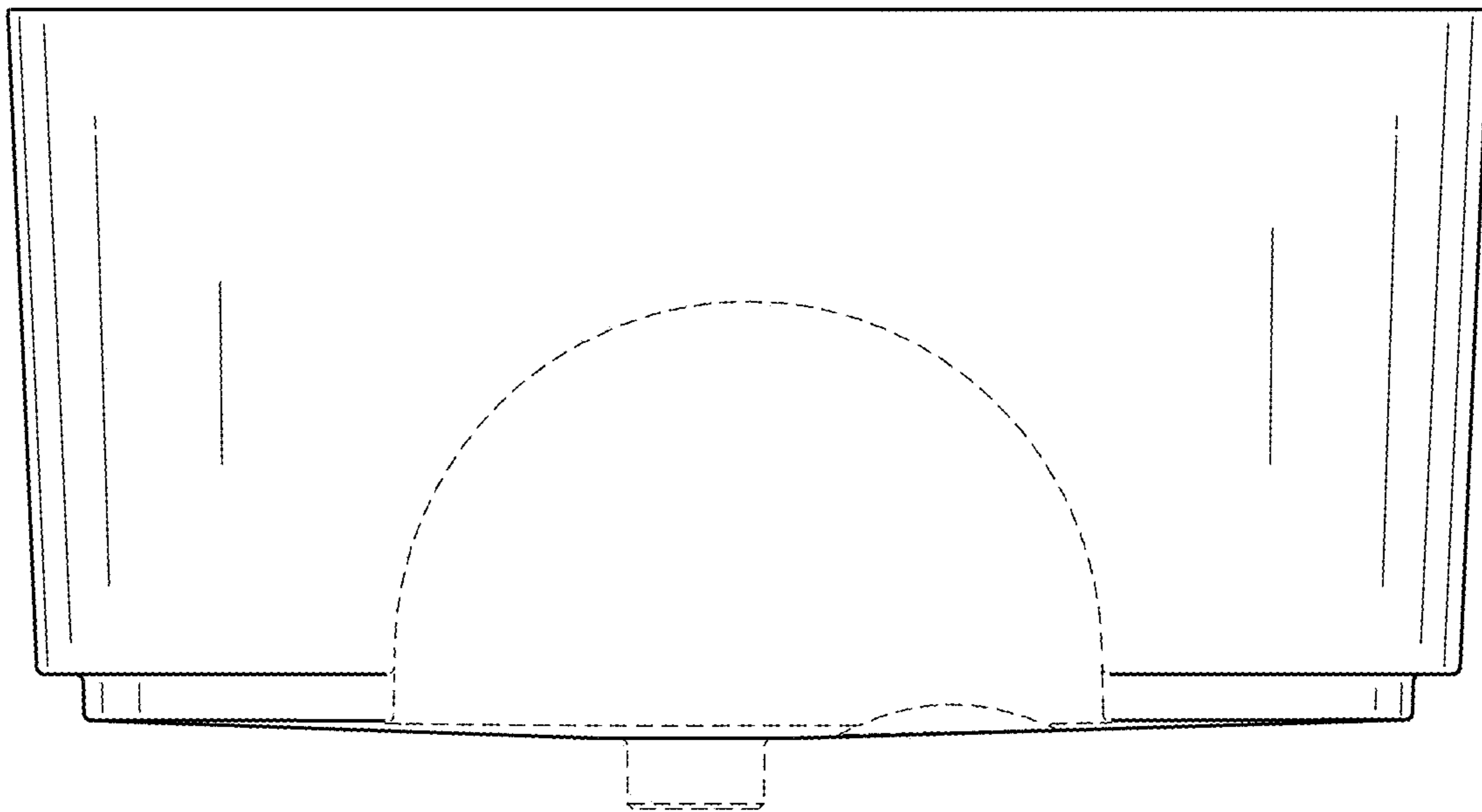


FIG. 2

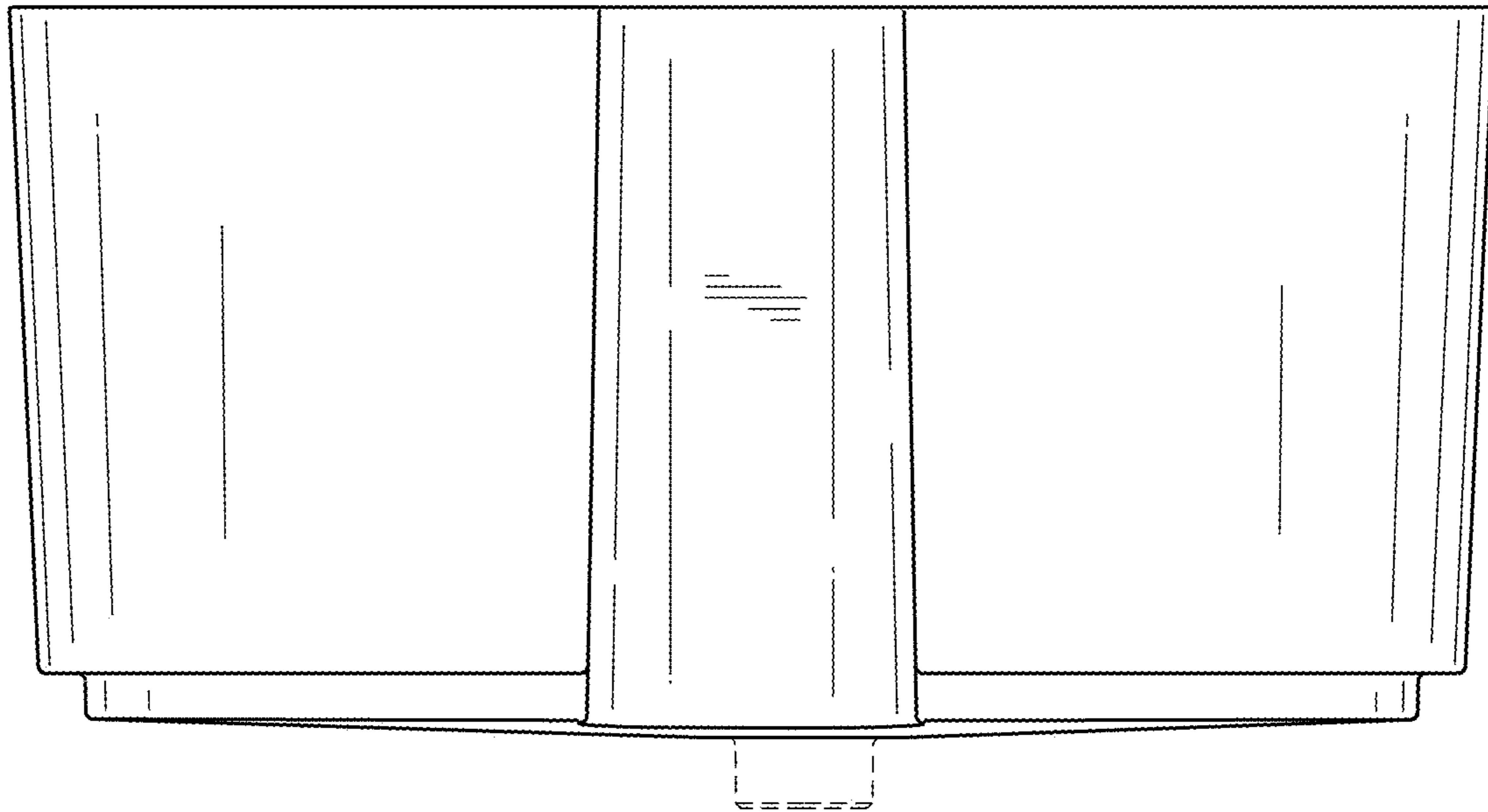


FIG. 3

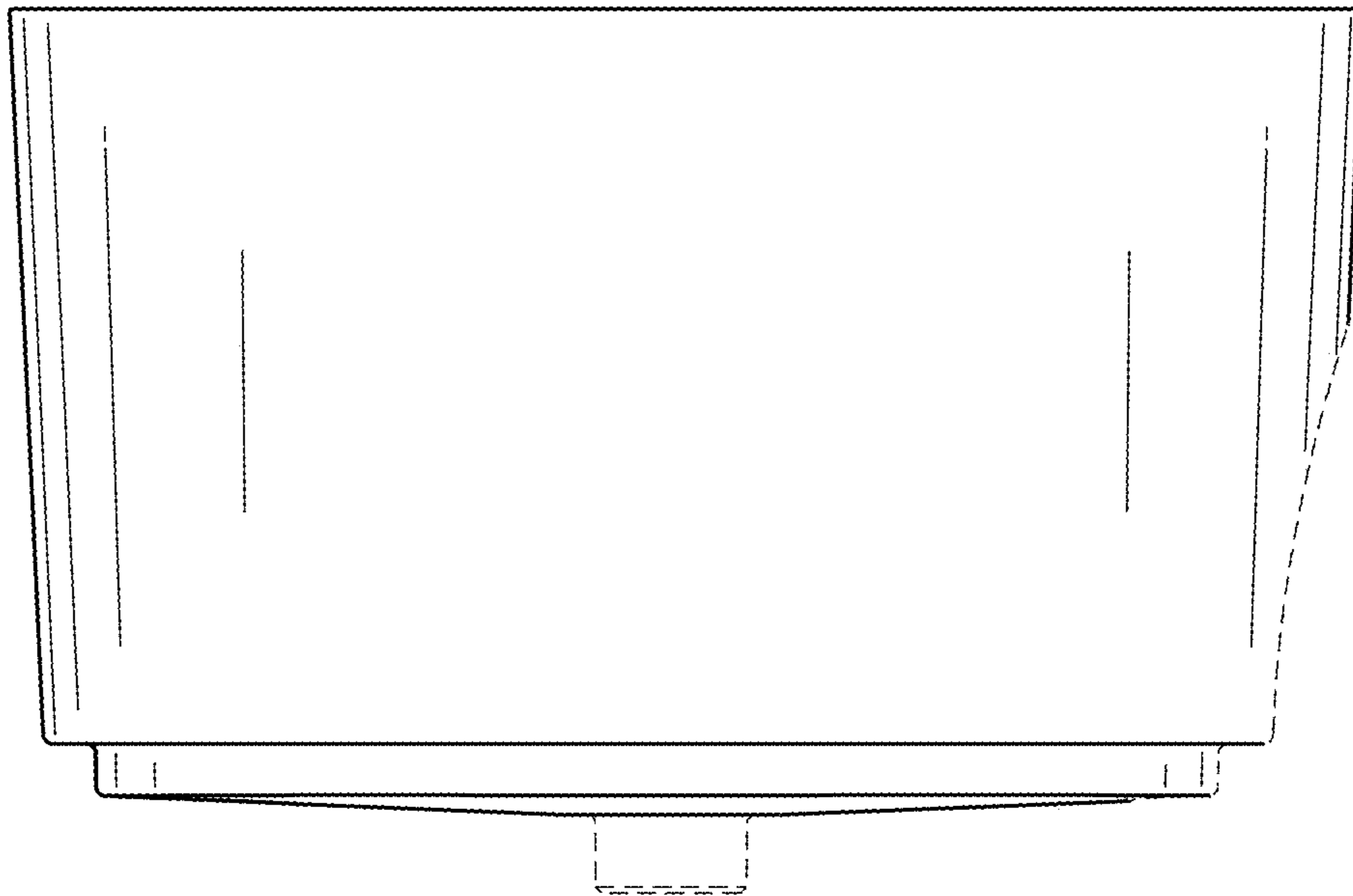


FIG. 4

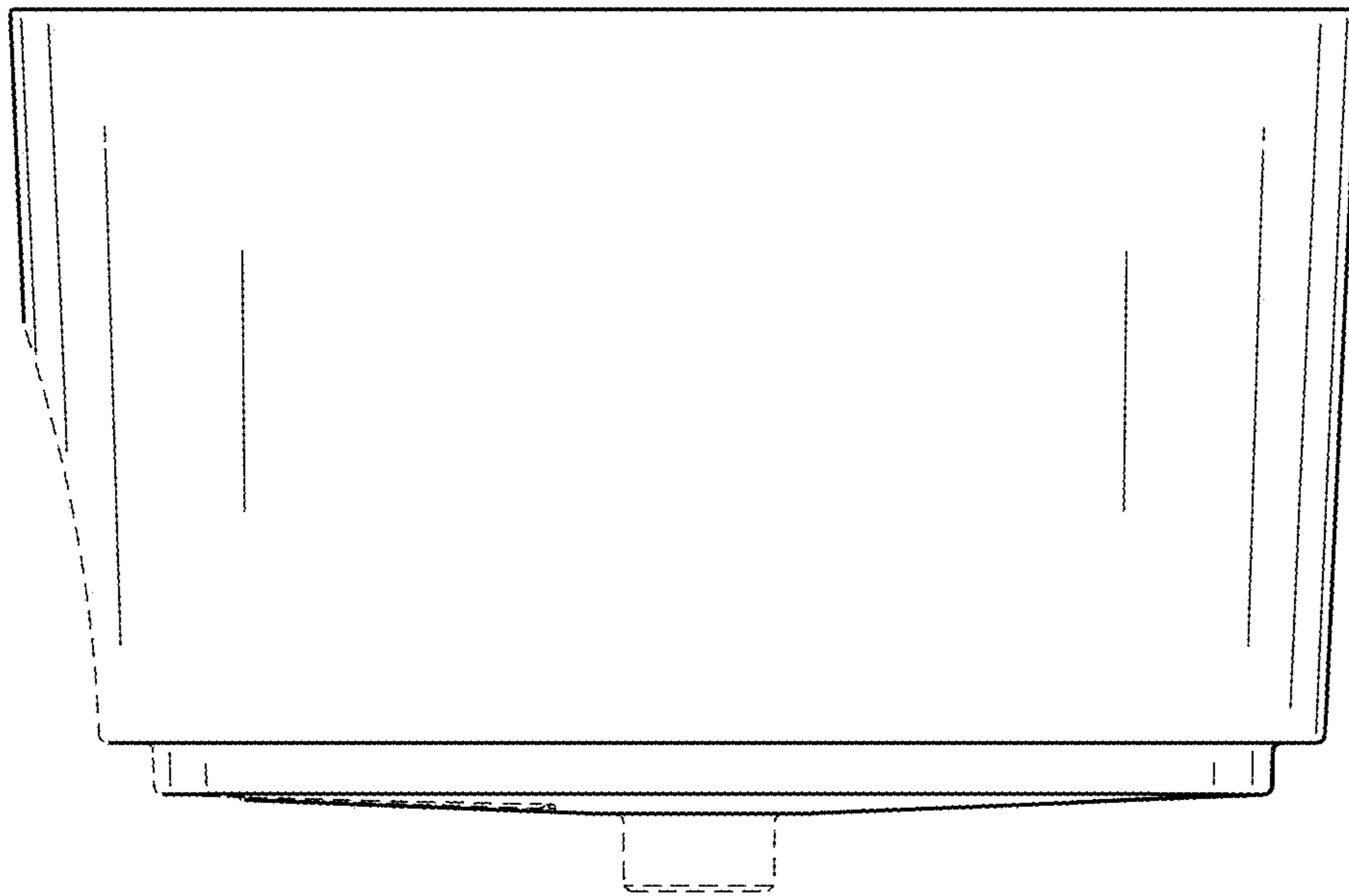


FIG. 5

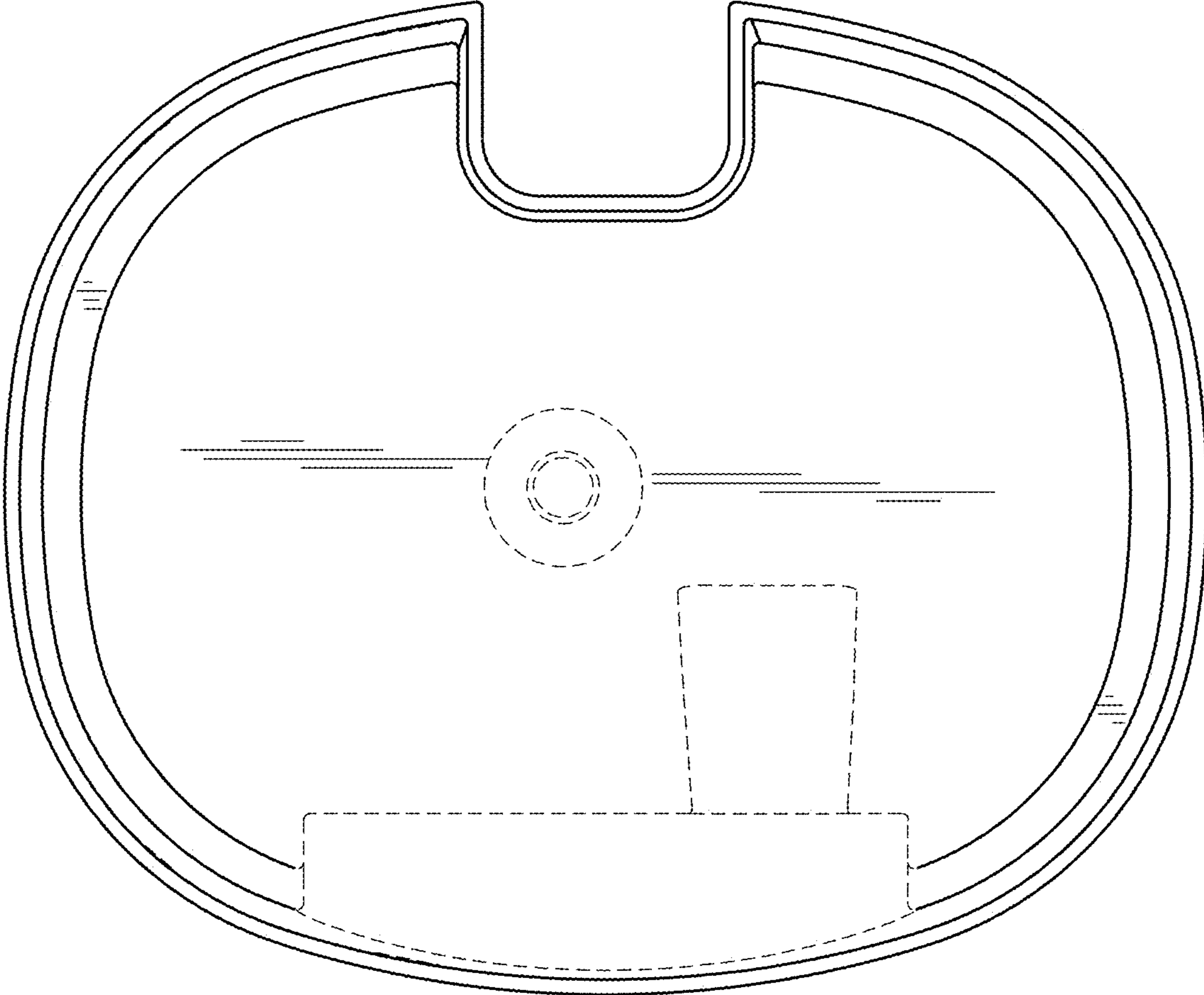


FIG. 6



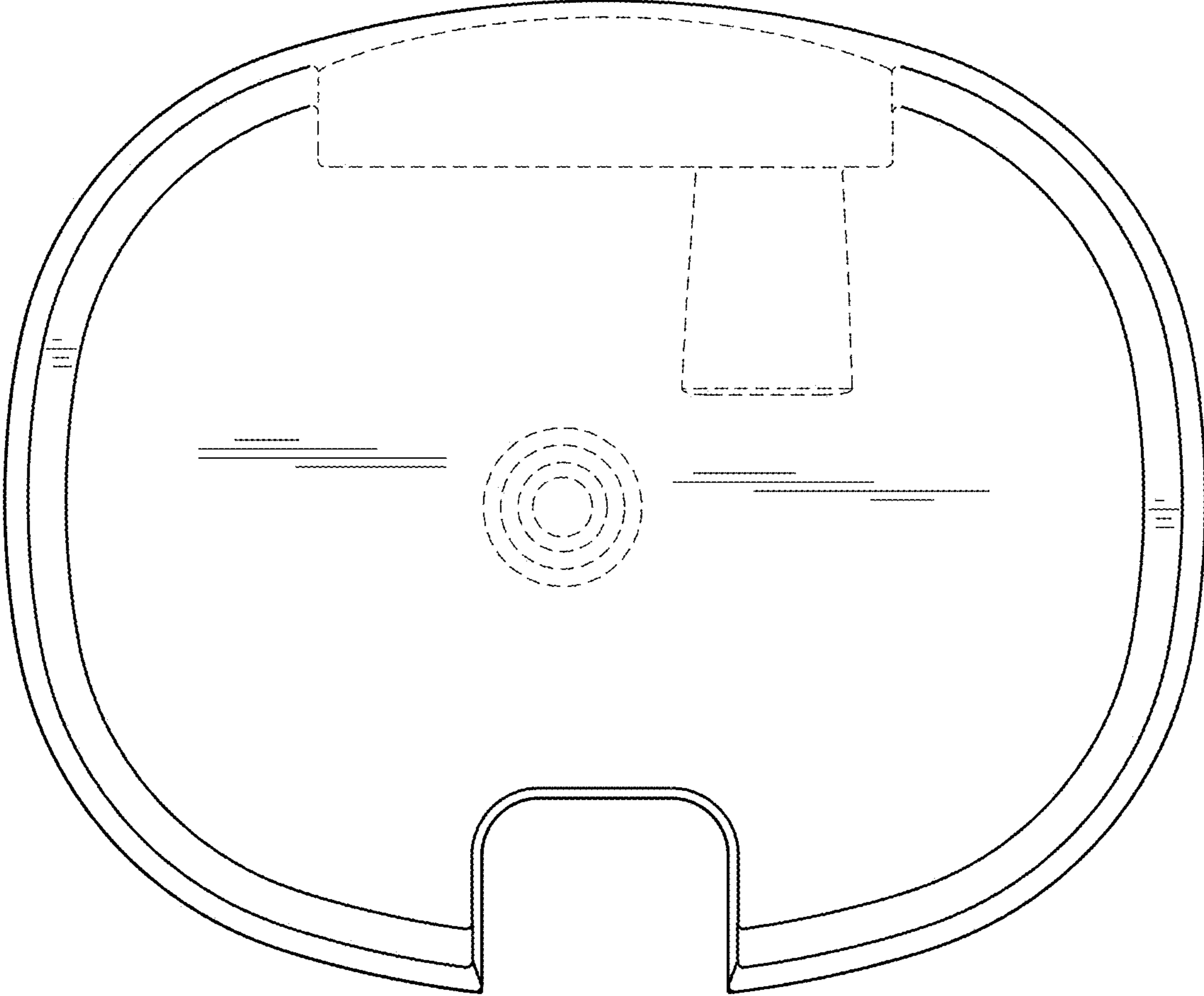


FIG. 7