



US00D940298S

(12) **United States Design Patent**  
**Hearn et al.**

(10) **Patent No.:** **US D940,298 S**  
(45) **Date of Patent:** **\*\* Jan. 4, 2022**

- (54) **DISPENSER**
- (71) Applicant: **SENZER LIMITED**, London (GB)
- (72) Inventors: **Alex Hearn**, London (GB); **Paul Young**, Essex (GB); **Guillaume Parrin**, West Sussex (GB)
- (73) Assignee: **SENZER LIMITED**, London (GB)
- (\*\*) Term: **15 Years**
- (21) Appl. No.: **29/666,009**
- (22) Filed: **Oct. 9, 2018**
- (51) **LOC (13) Cl.** ..... **29-02**
- (52) **U.S. Cl.**  
USPC ..... **D24/110; D27/162**
- (58) **Field of Classification Search**  
USPC ..... D24/107, 108, 110, 110.1–110.5, 127, D24/164; D29/108; D27/162, 100–101  
CPC ..... A61M 15/0085; A61M 15/0005; A61M 11/005; A61M 11/00; A61M 11/02; A61M 11/04; A61M 5/087; A61M 5/0871; A61M 5/091; A61M 5/097; A61M 15/00; A61M 15/0065; A61M 15/0091; A61M 15/0021; A61M 15/0026; A61M 15/008; A61M 15/007; A63B 23/18  
See application file for complete search history.

D827,195 S *	8/2018	Chen	.....	D27/101
D833,063 S *	11/2018	Qiu	.....	D27/101
D835,337 S *	12/2018	Beer	.....	A24F 40/00
				D27/162
D846,796 S *	4/2019	Pan	.....	D27/101
D851,748 S *	6/2019	Kinsey	.....	D24/110
D872,932 S *	1/2020	Powell	.....	D27/162
D874,059 S *	1/2020	Bailey	.....	D27/162
D882,065 S *	4/2020	Wang	.....	D24/110
D902,475 S *	11/2020	Liu	.....	D27/162
D912,888 S *	3/2021	Wang	.....	D27/162
10,966,467 B2 *	4/2021	Hawes	.....	A24F 40/40

\* cited by examiner

*Primary Examiner* — Sheryl Lane

*Assistant Examiner* — Aula Soroush

(74) *Attorney, Agent, or Firm* — Patterson & Sheridan, L.L.P.

(57) **CLAIM**

The ornamental design for a dispenser, as shown and described.

**DESCRIPTION**

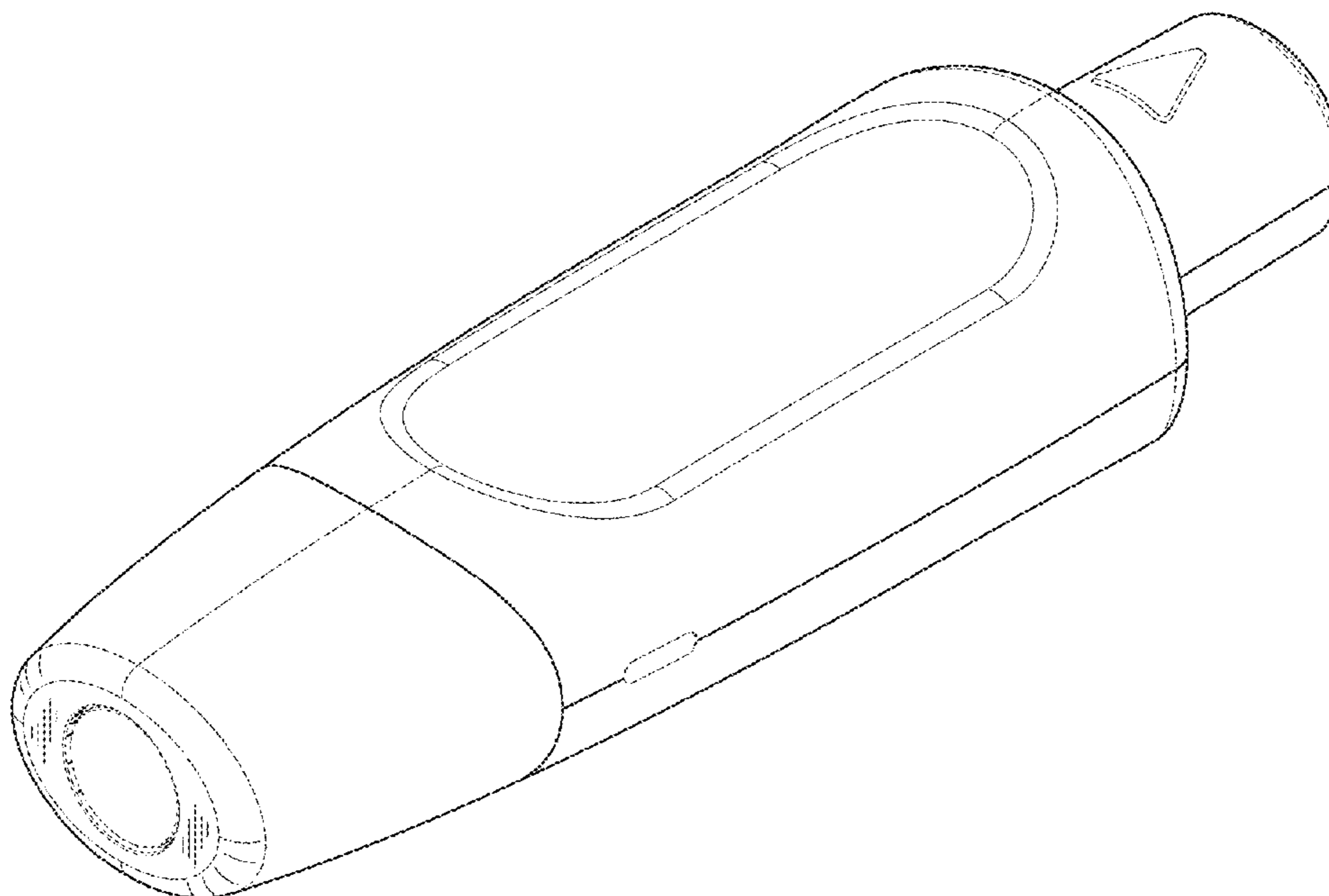
FIG. 1 is a bottom-front perspective view of a dispenser showing our new design;  
 FIG. 2 is a top-front perspective view thereof;  
 FIG. 3 is a bottom-rear perspective view thereof;  
 FIG. 4 is a left side elevational view thereof;  
 FIG. 5 is a top plan view thereof;  
 FIG. 6 is a bottom plan view thereof;  
 FIG. 7 is a front elevational view thereof;  
 FIG. 8 is a right side elevational view thereof; and,  
 FIG. 9 is a rear elevational view thereof.  
 The portions of the dispenser shown in dashed lines form no part of the claimed design.

**1 Claim, 8 Drawing Sheets**

(56) **References Cited**

**U.S. PATENT DOCUMENTS**

D478,983 S *	8/2003	Whitehall	.....	D24/110
D518,569 S *	4/2006	Nishibayashi	.....	D24/110
D814,019 S *	3/2018	Crosby	.....	D24/110



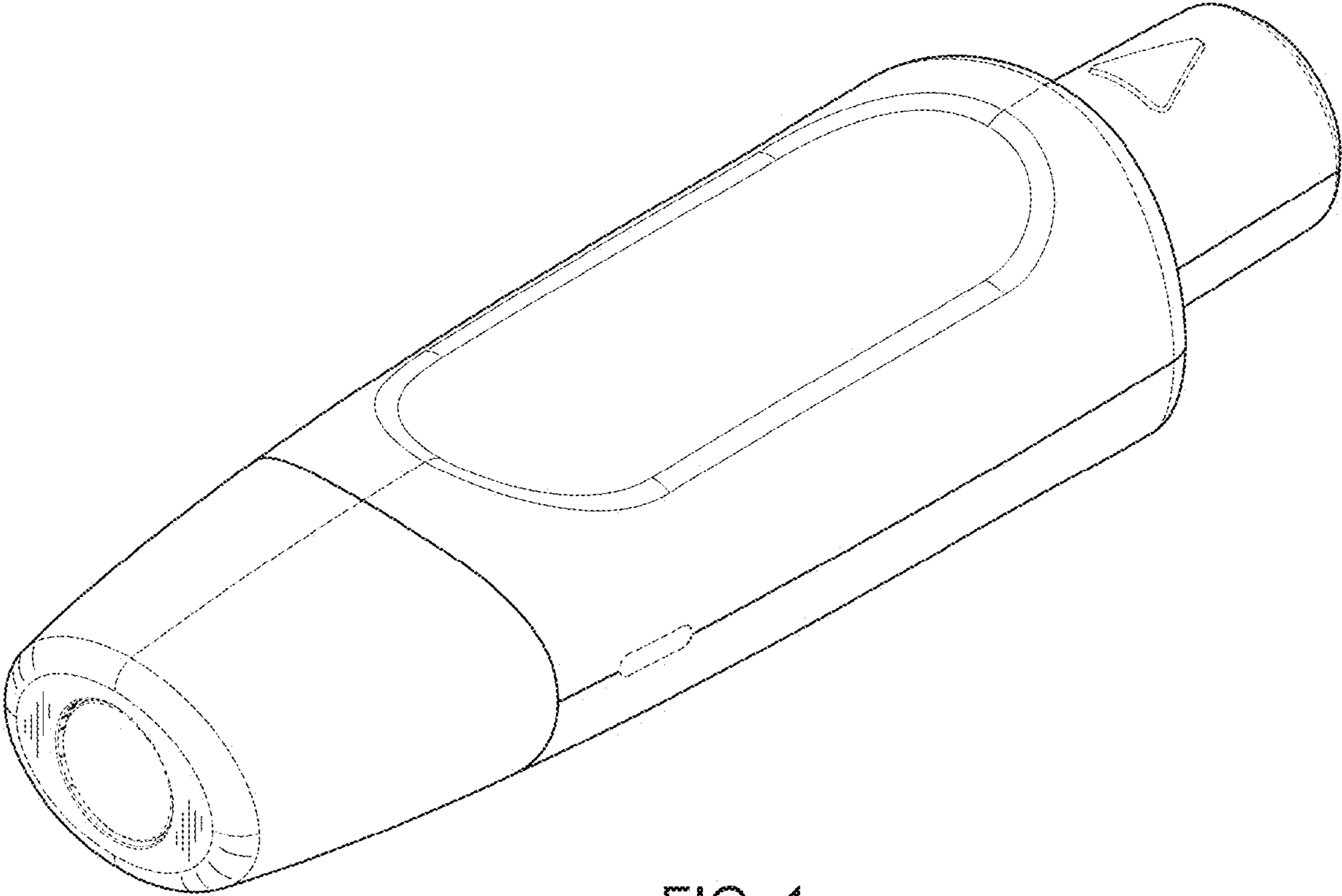


FIG. 1

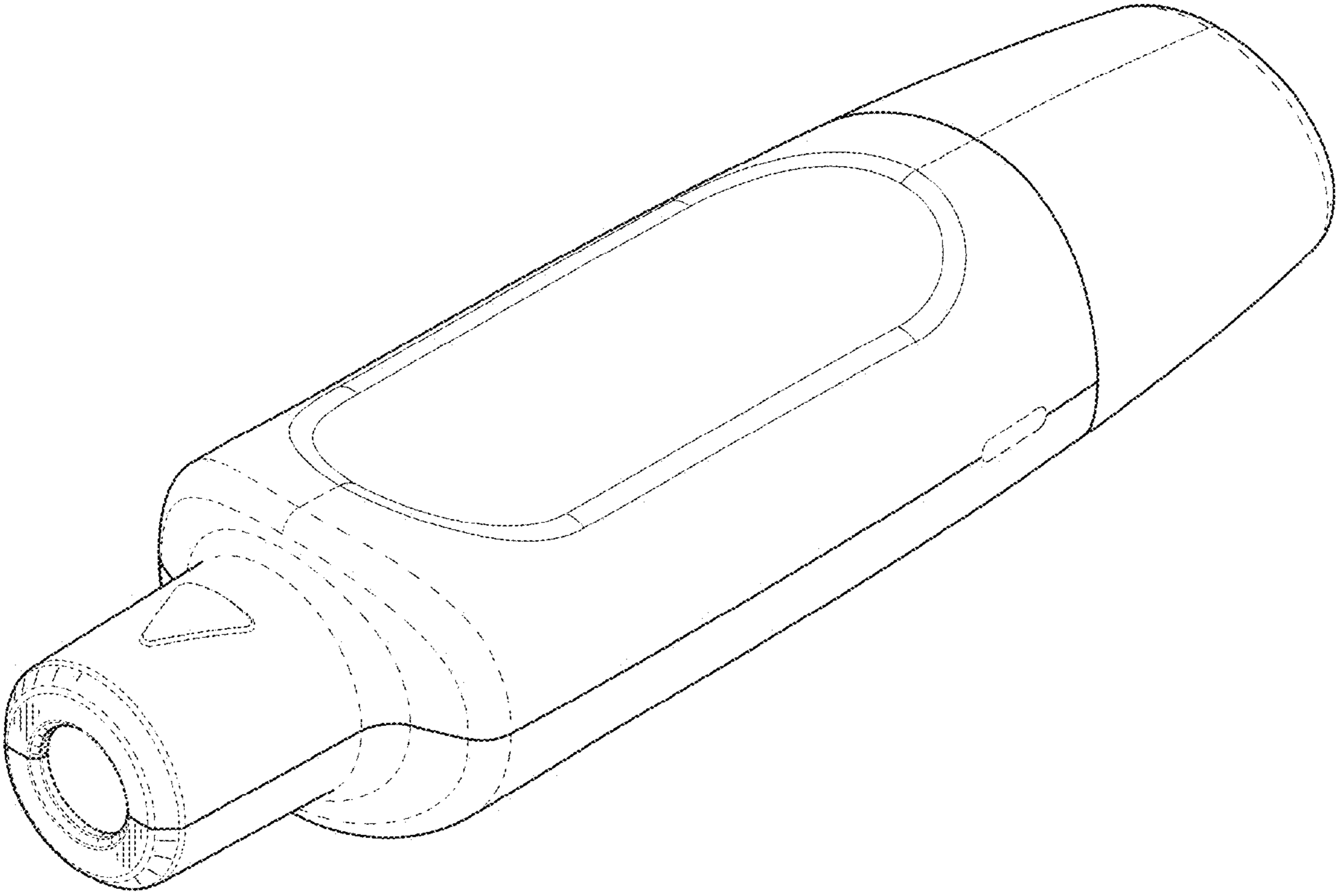


FIG. 2

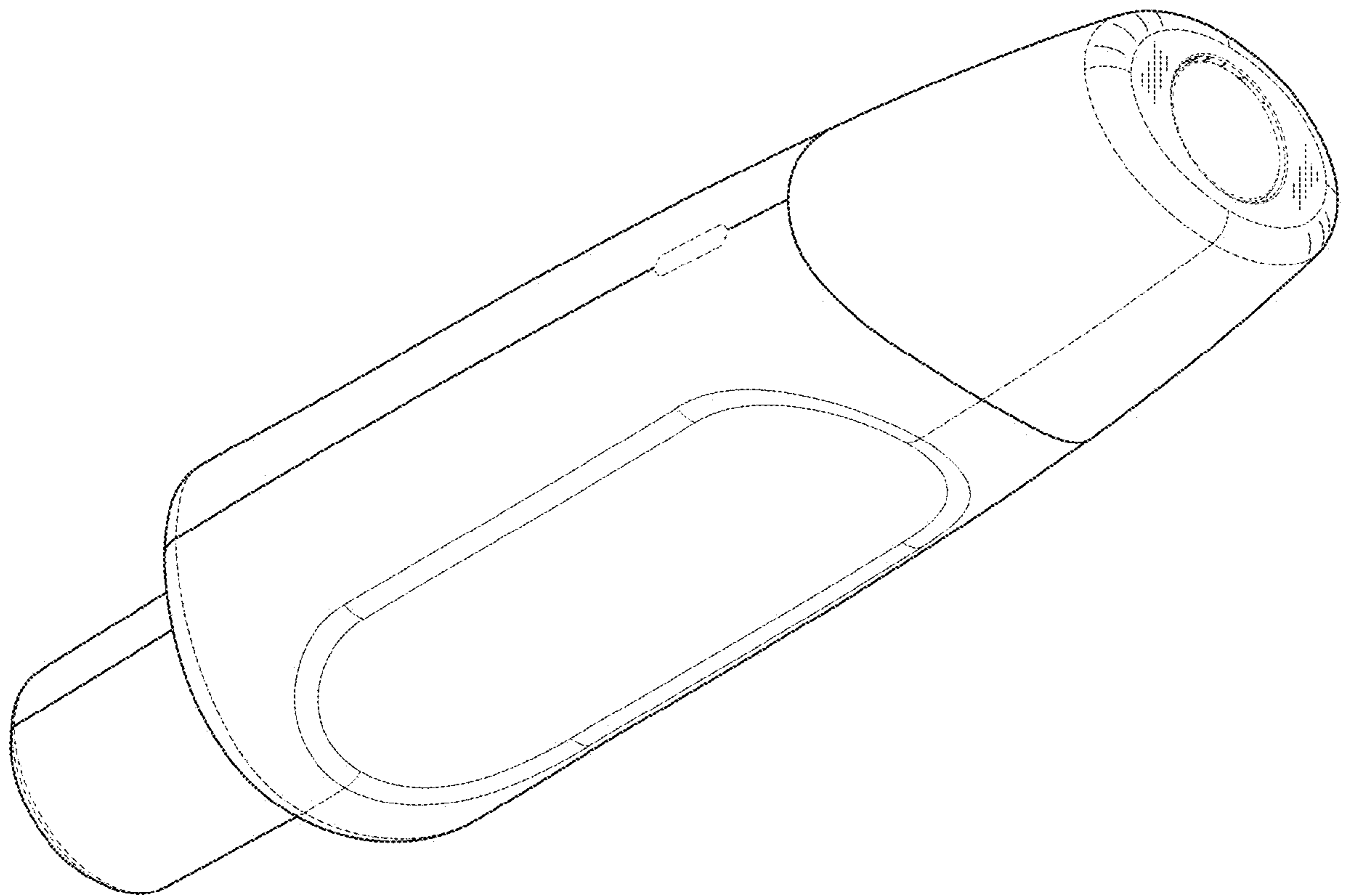


FIG. 3

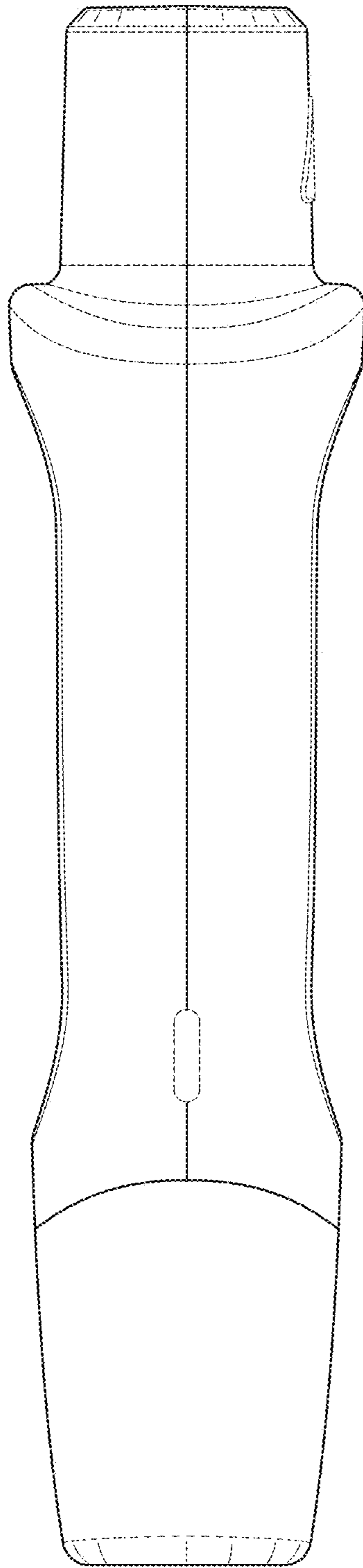


FIG. 4

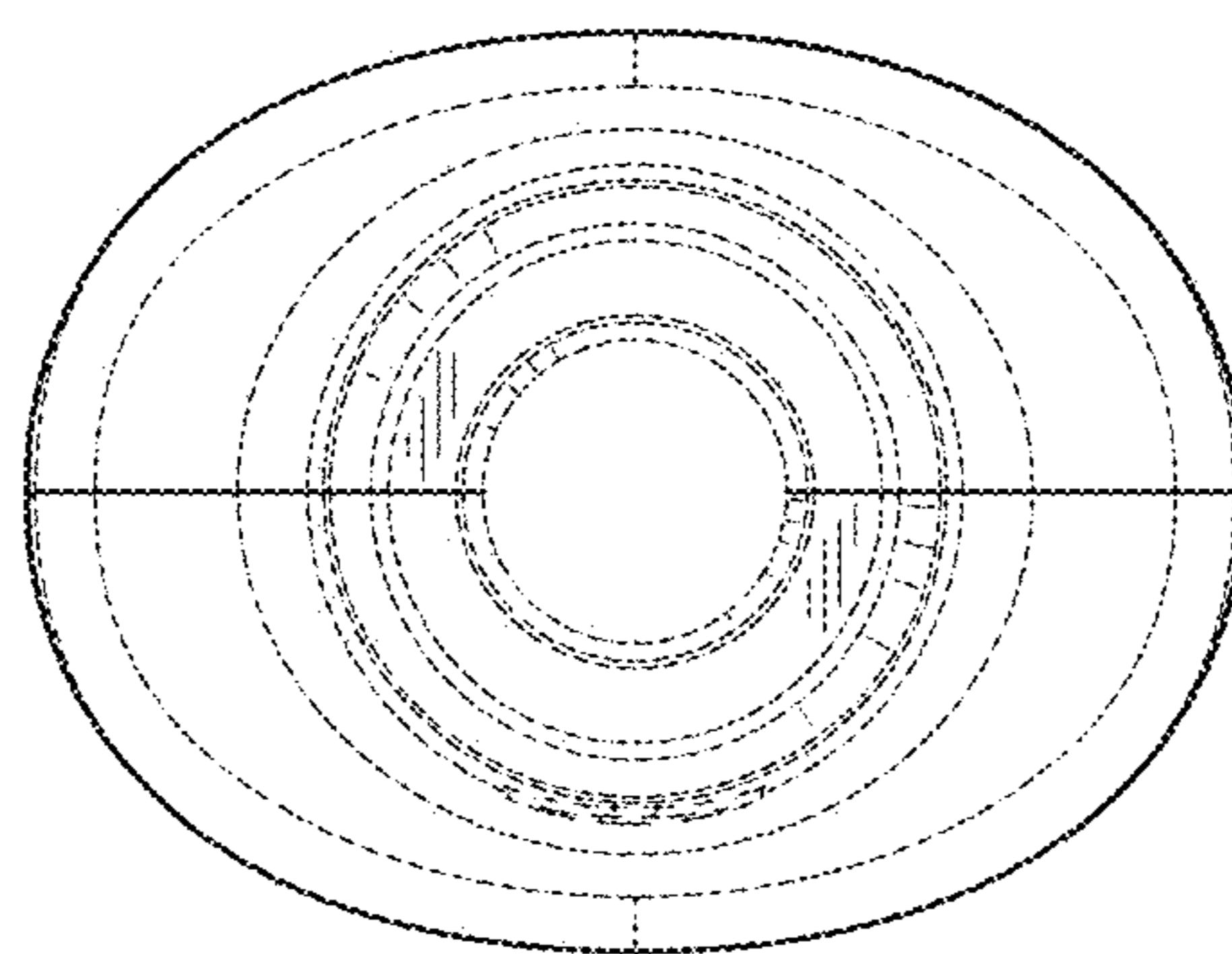


FIG. 5

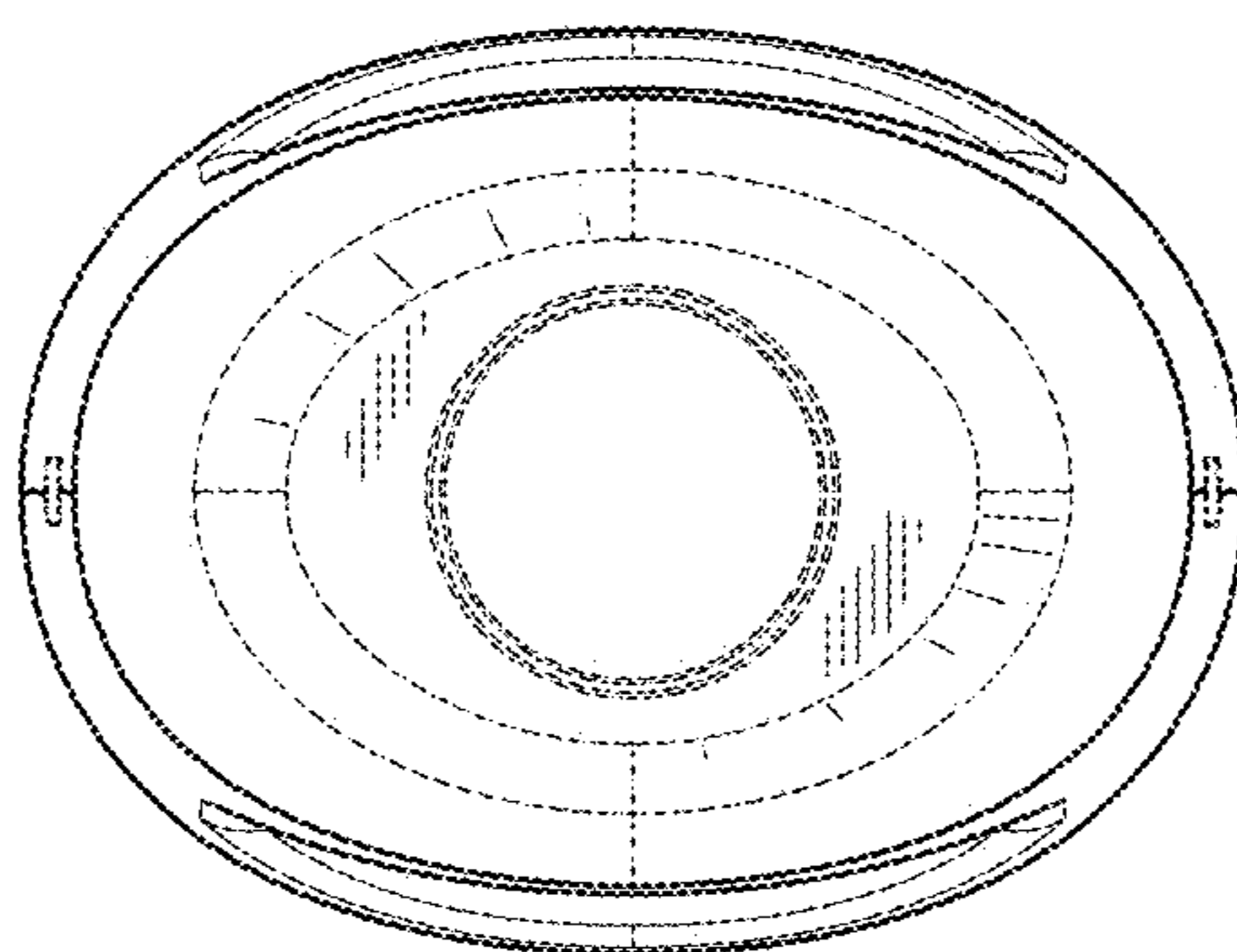


FIG. 6



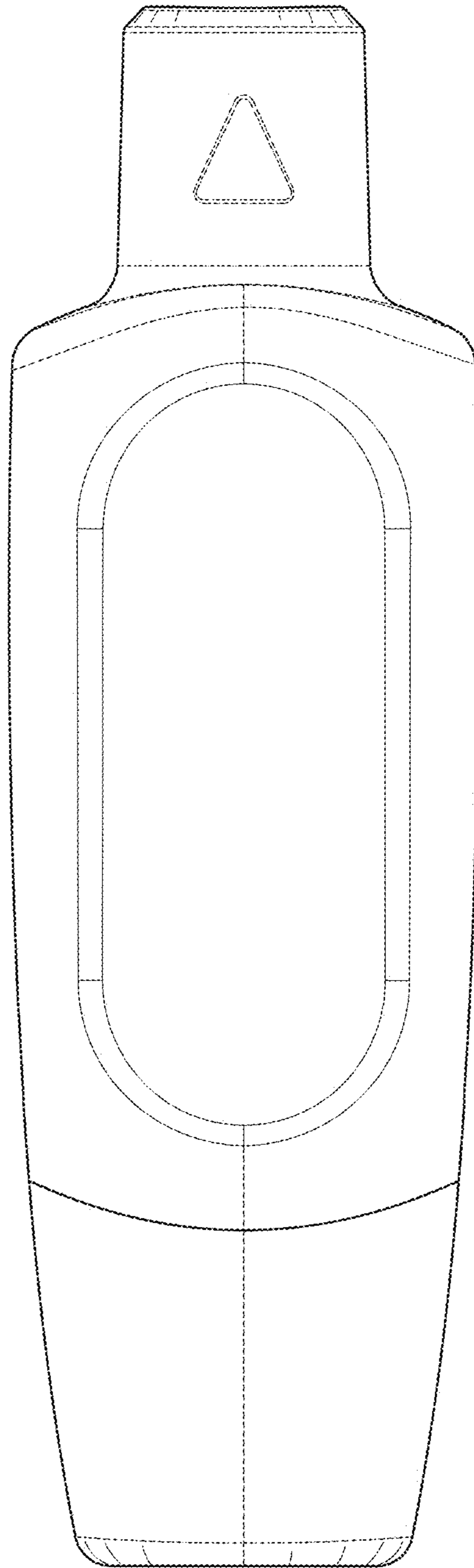


FIG. 7

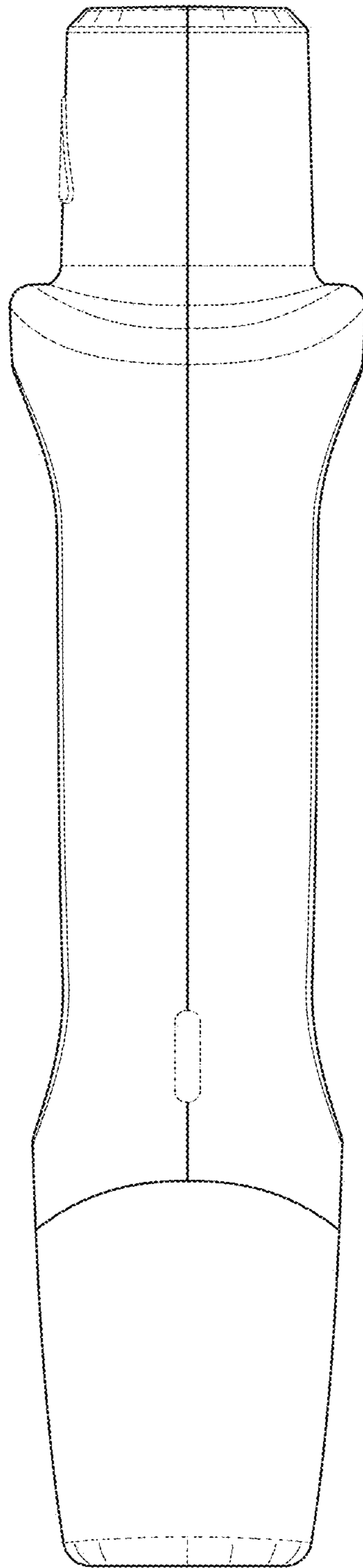


FIG. 8



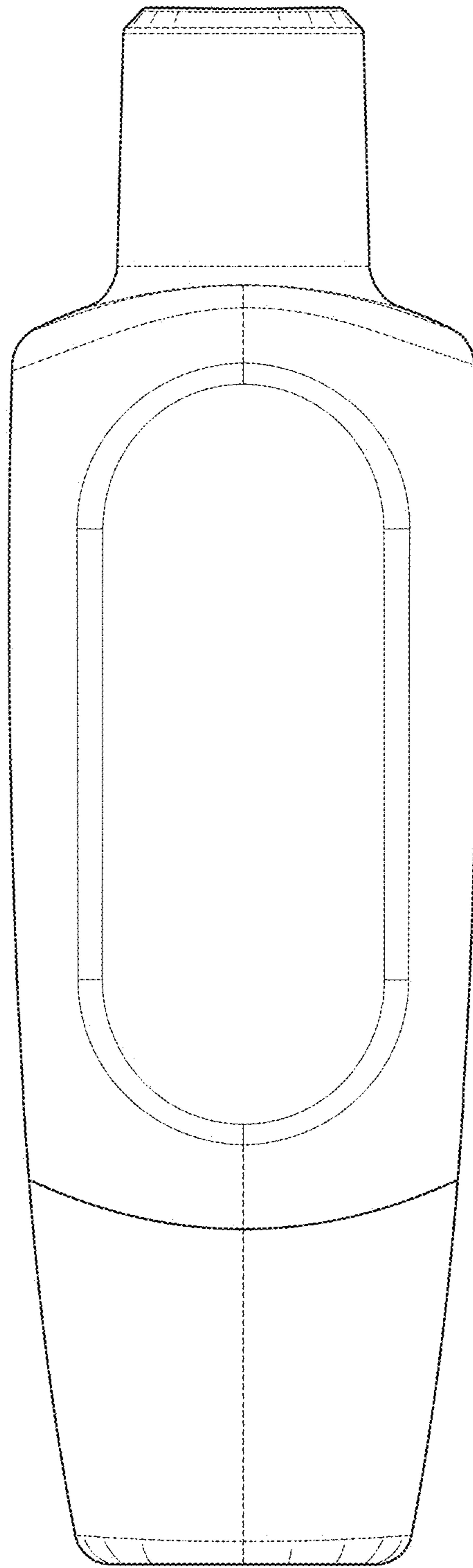


FIG. 9