



US00D940297S

(12) **United States Design Patent**
Naidu

(10) **Patent No.:** **US D940,297 S**
(45) **Date of Patent:** **** Jan. 4, 2022**

(54) **FEMALE CONDOM**
(71) Applicant: **VIGAMED PRODUCTS PRIVATE LIMITED**, Maharashtra (IN)
(72) Inventor: **Viswanathan V. Naidu**, Maharashtra (IN)
(73) Assignee: **VIGAMED PRODUCTS PVT. LTD.**, Maharashtra (IN)
(**) Term: **15 Years**

2,759,478 A * 8/1956 Boltuch A61M 29/00
606/191
2,915,065 A * 12/1959 Lyons A61F 5/4553
604/329
3,282,414 A * 11/1966 Penksa A61F 6/005
206/205

(Continued)

FOREIGN PATENT DOCUMENTS

CN 305186138 * 5/2019
GB 6012418 * 5/2017
GB 6012427 * 5/2017

(21) Appl. No.: **29/704,949**
(22) Filed: **Sep. 9, 2019**
(30) **Foreign Application Priority Data**

OTHER PUBLICATIONS

[Female condoms: the feel and shape of things to come], available in ghtcoalition.org, Sep. 15, 2015 [online], [Sep. 24, 2021], Internet URL: <<https://www.ghtcoalition.org/blog/female-condoms-the-feel-and-shape-of-things-to-come>> (Year: 2015).*

(Continued)

Jul. 12, 2019 (IN) 319614-001

(51) **LOC (13) Cl.** **24-04**
(52) **U.S. Cl.**
USPC **D24/105**
(58) **Field of Classification Search**
USPC D24/105, 106, 135, 173-175, 215;
D21/440, 756; D8/80, 303; D12/178;
D19/199; 128/842, 844, 846, 918,
128/839-841, 864; 604/346-353, 328,
604/329; 607/90; 374/158, 209
CPC A61F 6/065; A61F 6/06; A61F 6/04
See application file for complete search history.

Primary Examiner — T Chase Nelson
Assistant Examiner — Amanda J Berlinski
(74) *Attorney, Agent, or Firm* — D'Ambrosio & Menon, PLLC; Usha Menon

(57) **CLAIM**

The ornamental design for a female condom, as shown and described.

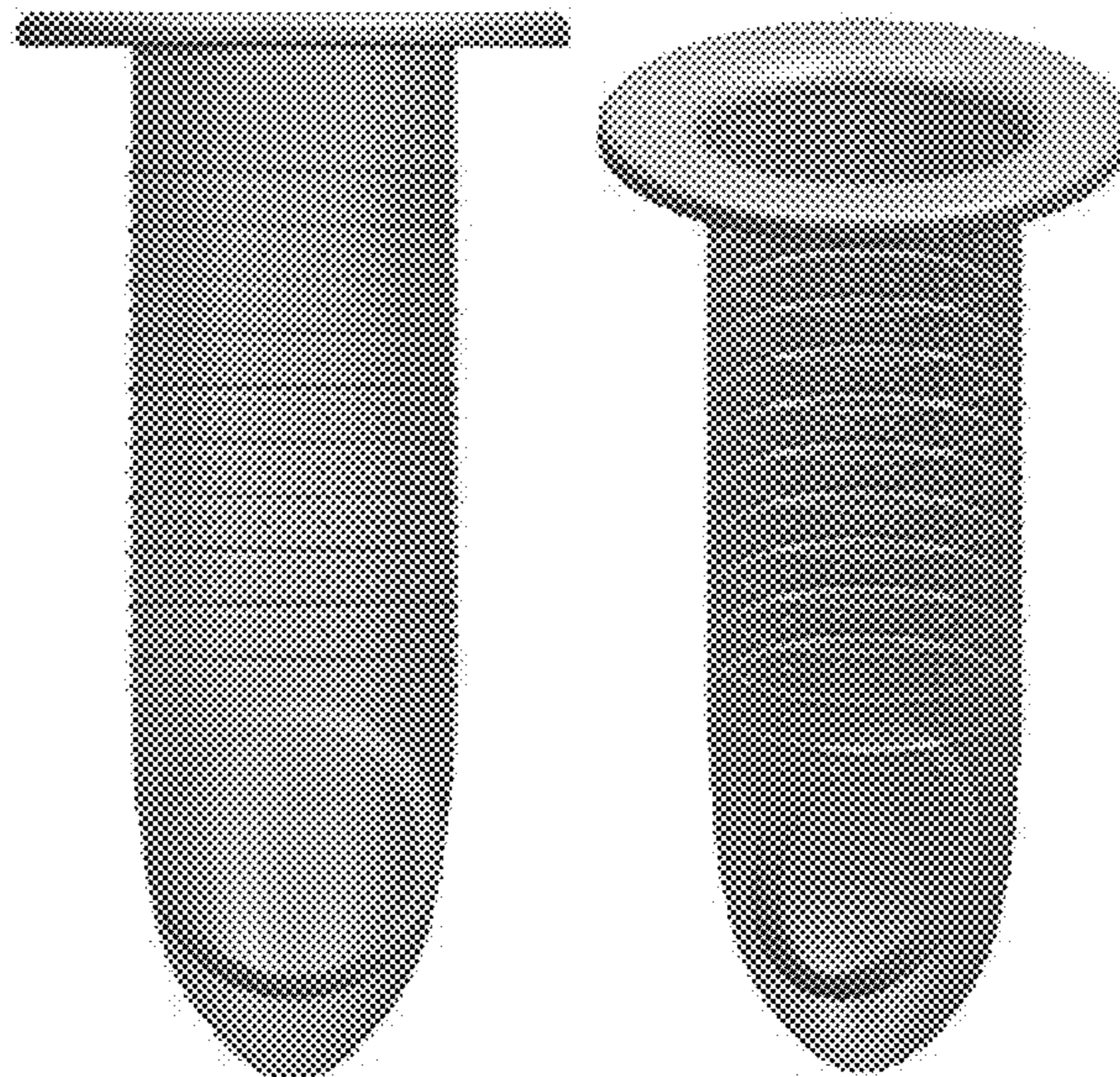
DESCRIPTION

FIG. 1 is a front view of a female condom showing my new design, wherein the rear view is a mirror image thereof; FIG. 2 is a left side view thereof, wherein the right side view is a mirror image thereof; FIG. 3 is top view thereof; FIG. 4 is a bottom view thereof; FIG. 5 is a perspective view thereof; and, FIG. 6 is another perspective view thereof.

(56) **References Cited**
U.S. PATENT DOCUMENTS

D28,992 S * 7/1898 Eldon D8/303
D99,747 S * 5/1936 Greth D24/135
2,285,981 A * 6/1942 Johns A61F 13/105
2/21
2,309,868 A * 2/1943 Robertson A61F 5/4553
604/330

1 Claim, 6 Drawing Sheets



(56)

References Cited

U.S. PATENT DOCUMENTS

3,809,090 A * 5/1974 Povlacs A61F 6/04
604/347
D242,743 S * 12/1976 Leight D24/106
D246,119 S * 10/1977 Okamoto D24/105
D252,949 S * 9/1979 Okamoto 128/844
4,774,938 A * 10/1988 Leight A61F 11/08
128/864
4,794,920 A * 1/1989 Robichaud A61F 6/04
128/844
4,945,923 A * 8/1990 Evans A61F 6/065
128/837
D311,252 S * 10/1990 Pettway D24/105
5,036,446 A * 7/1991 Quintanilla F21V 21/403
362/399
5,163,449 A * 11/1992 van der Valk A61F 6/04
128/844
D338,527 S * 8/1993 Rosner D24/105
5,325,871 A * 7/1994 Reddy A61F 6/065
128/830
D371,818 S * 7/1996 Stolz D21/756
5,623,947 A * 4/1997 Lawlor A61F 6/04
128/844
D434,138 S * 11/2000 DeVries D24/105
6,182,661 B1 * 2/2001 Solanki A61F 6/04
128/844
D496,722 S * 9/2004 Falco A61F 11/08
D24/106
2,894,661 A1 * 4/2006 X A61F 6/04
D589,773 S * 4/2009 Finochiaro D21/756
D603,041 S * 10/2009 Garg D24/105
D616,978 S * 6/2010 Grotyohann D24/105
7,726,316 B1 * 6/2010 Pope A61F 6/065
128/830
D840,029 S * 2/2019 Gemmer D24/135
D845,478 S * 4/2019 Luke D24/141
D899,888 S * 10/2020 Xu D8/303
D922,834 S * 6/2021 Schiavoni D7/653
2002/0038658 A1 * 4/2002 Austin A61F 6/065
128/830
2004/0107969 A1 * 6/2004 Tam A61F 6/065
128/830
2006/0278236 A1 * 12/2006 Resnic A61F 6/065
128/844

2010/0101708 A1 * 4/2010 Jahangiri-Famenini
A61F 6/04
156/192
2014/0007883 A1 * 1/2014 Nguyen B05D 1/28
128/844
2014/0309489 A1 * 10/2014 Fernandez A61H 19/50
600/38
2015/0196421 A1 * 7/2015 Bolles A61F 6/04
128/844
2019/0209364 A1 * 7/2019 Jin A61F 6/065

OTHER PUBLICATIONS

[Performance and safety of the second-generation female condom (FC2) versus the Woman's, the VA worn-of-women, and the Cupid female condoms: a randomised controlled non-inferiority crossover trial], available in the lancet.com, Sep. 2013 [online], [Sep. 29, 2021], Internet URL: <<https://www.thelancet.com/pdfs/journals/langlo/PIIS2214109X13700548.pdf>> (Year: 2013).*

[The female condom showdown], available in the new humanitarian.org, Nov. 30, 2012 [online], [Sep. 29, 2021], Internet URL: <https://www.thenewhumanitarian.org/news/2012/11/30/female-condom-showdown> (Year: 2012).*

[Did government waste R127-million on a condom no one wanted?], available in bhekisisa.org, Jan. 24, 2018 [online], [Sep. 29, 2021], Internet URL: <<https://bhekisisa.org/opinion/2018-01-24-00-did-south-africa-waste-r127-million-on-a-condom-No-one-wanted/>> (Year: 2018).*

[The return of the female condom?], available in bbc.com, Dec. 15, 2013 [online], [Sep. 29, 2021], Internet URL: <<https://www.bbc.com/news/magazine-25348410>> (Year: 2013).*

[Silicone Penis Rings Spike Dotted Ribbed Condoms Time Delay Lasting Reusable Crystal Cock Ring Penis Extension Sleeve Sex Toys], available in alitools.io, Year Not Available [online], [site visited Sep. 29, 2021], Internet URL: <<https://alitools.io/en/showcase/silicone-penis-rings-spike-dotted-ribbed-condoms-time-delay-lasting-reusable-crystal-cock-ring-penis-extension-sleeve-sex-toys-4000031909730>> (Year: 2021).*

[How to use a cupid female condom?], YouTube.com, Posted Nov. 30, 2015 [online], [Sep. 24, 2021], URL: <<https://www.youtube.com/watch?v=OhkVJiwvEI8>> (Year: 2015).*

* cited by examiner

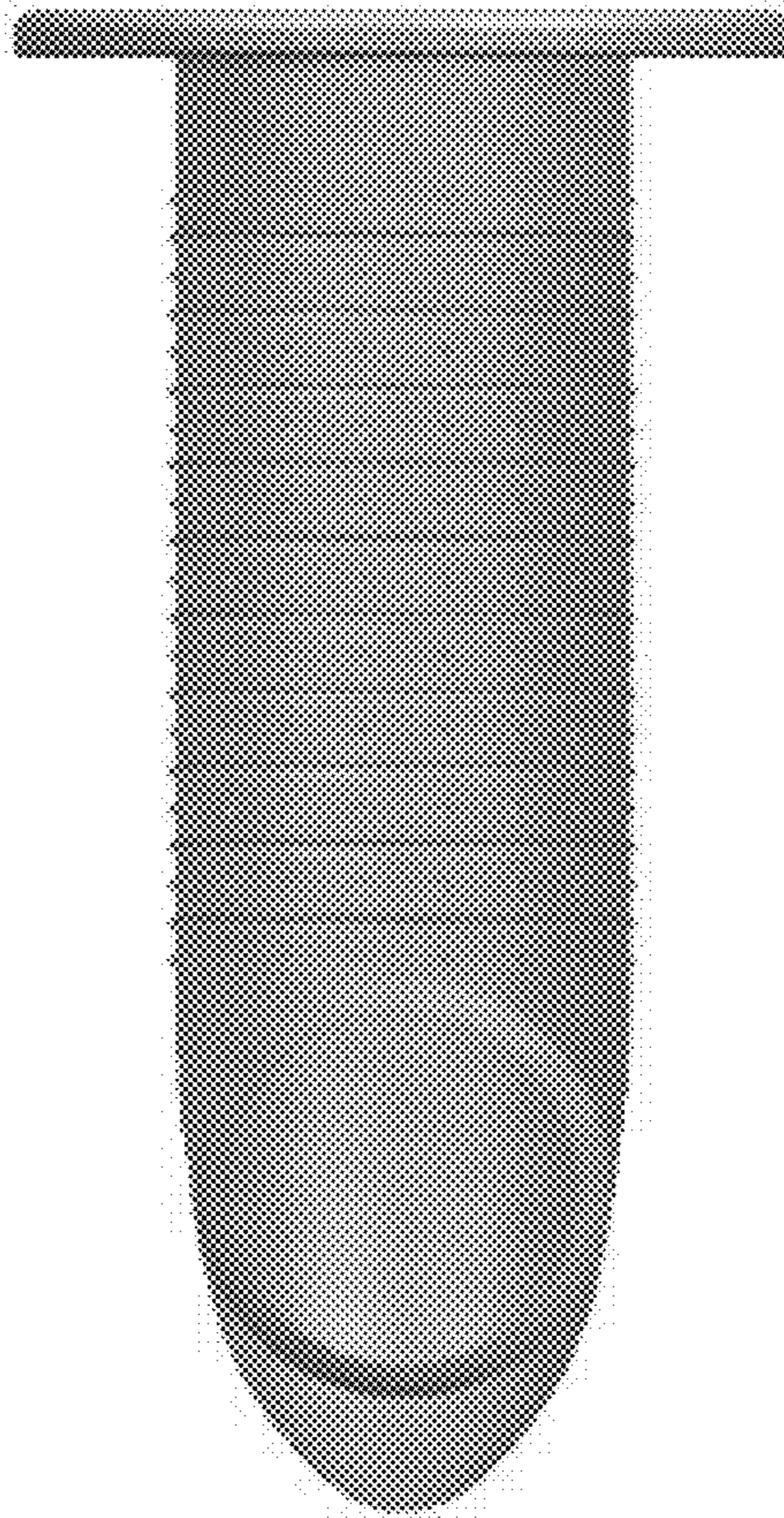


FIG. 1

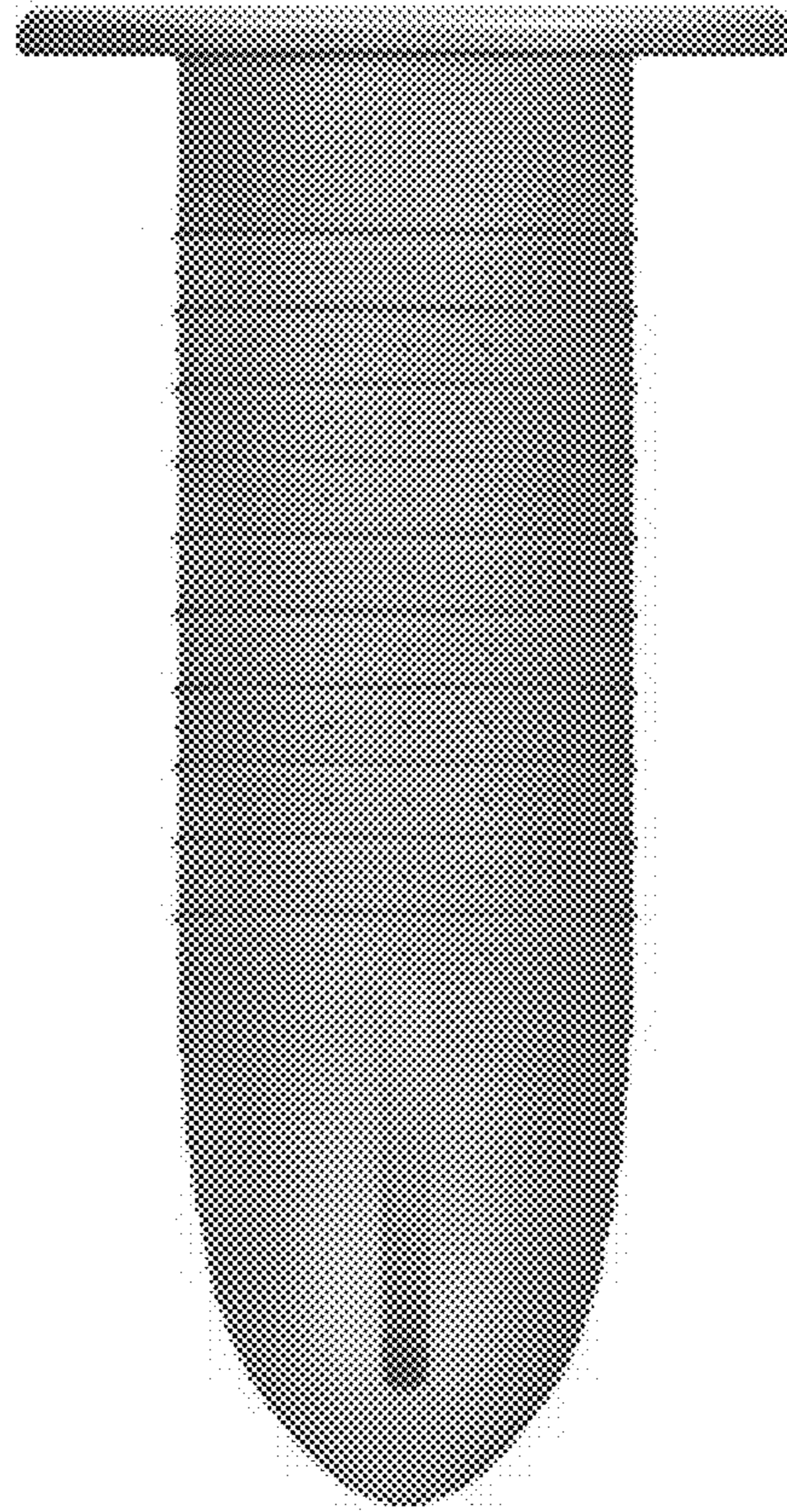


FIG. 2

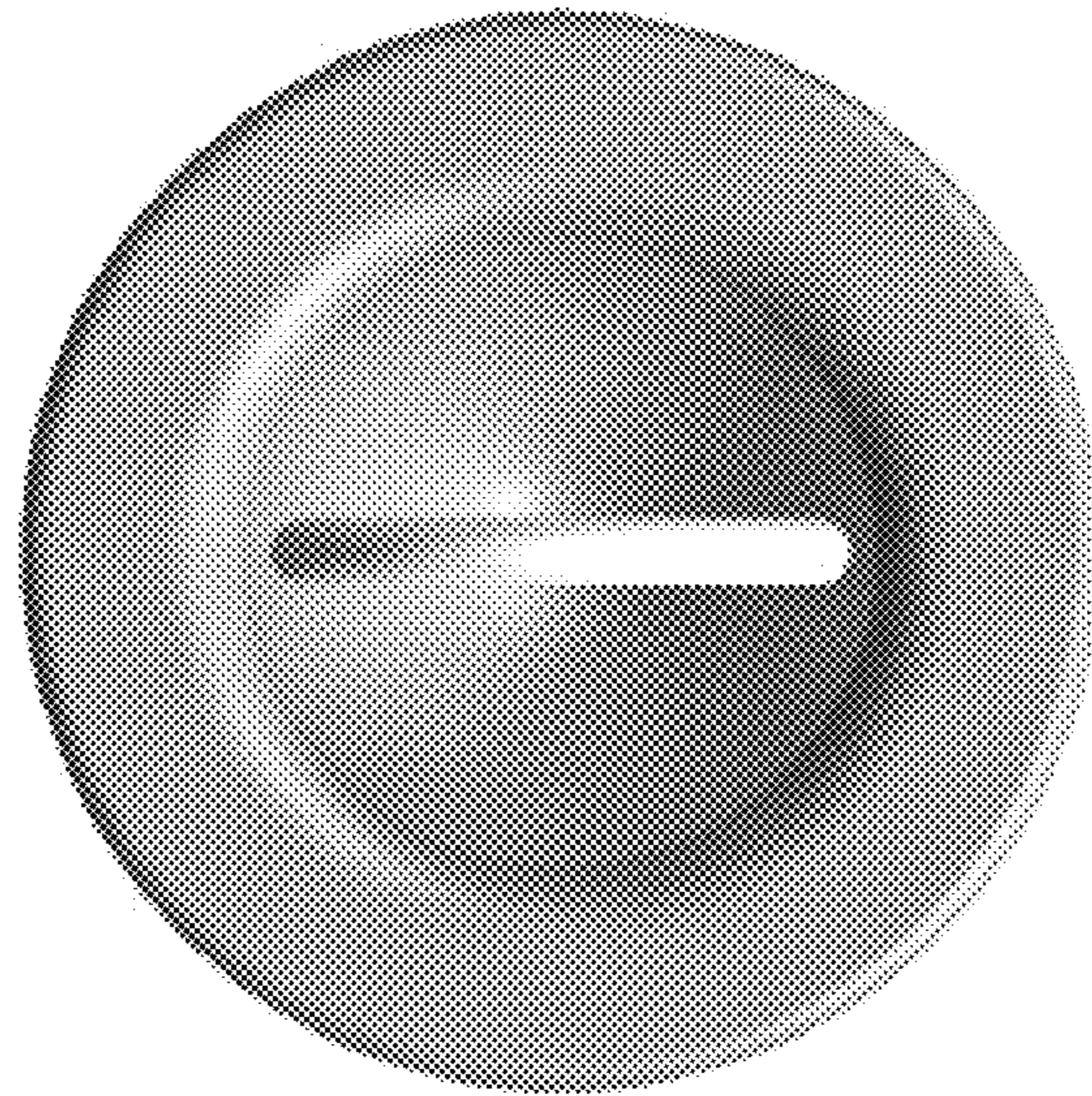


FIG. 3

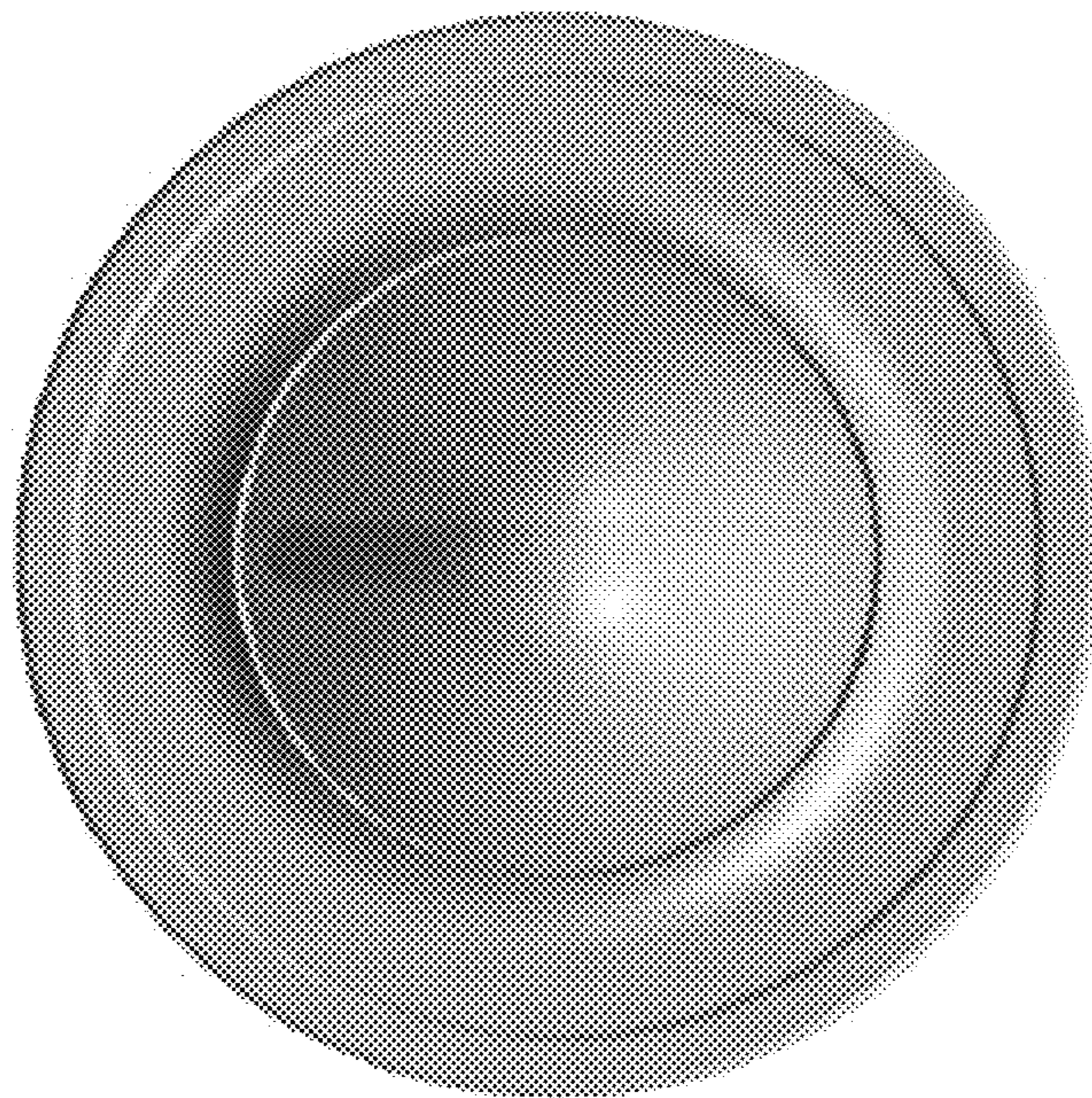


FIG. 4

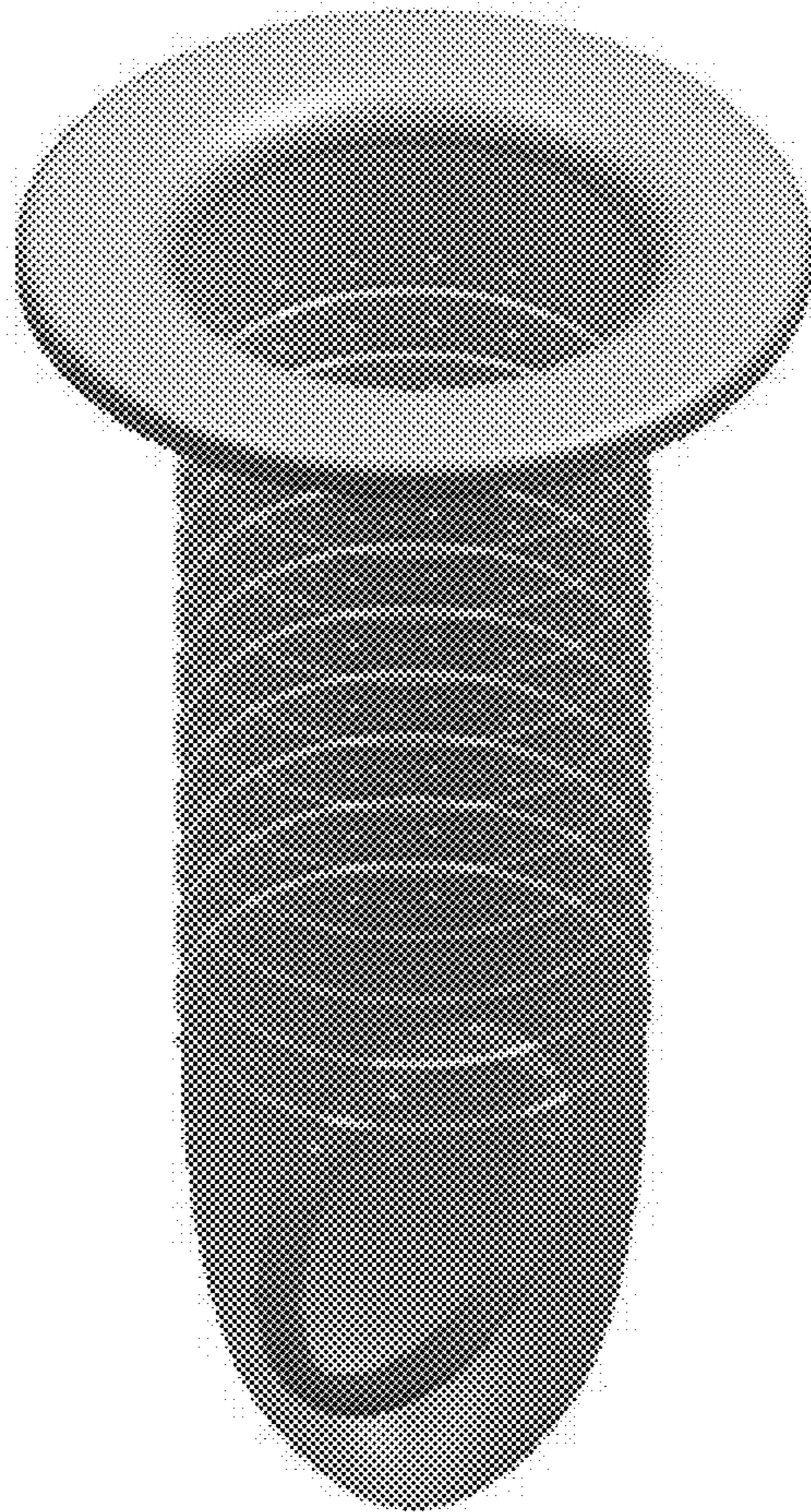


FIG.5

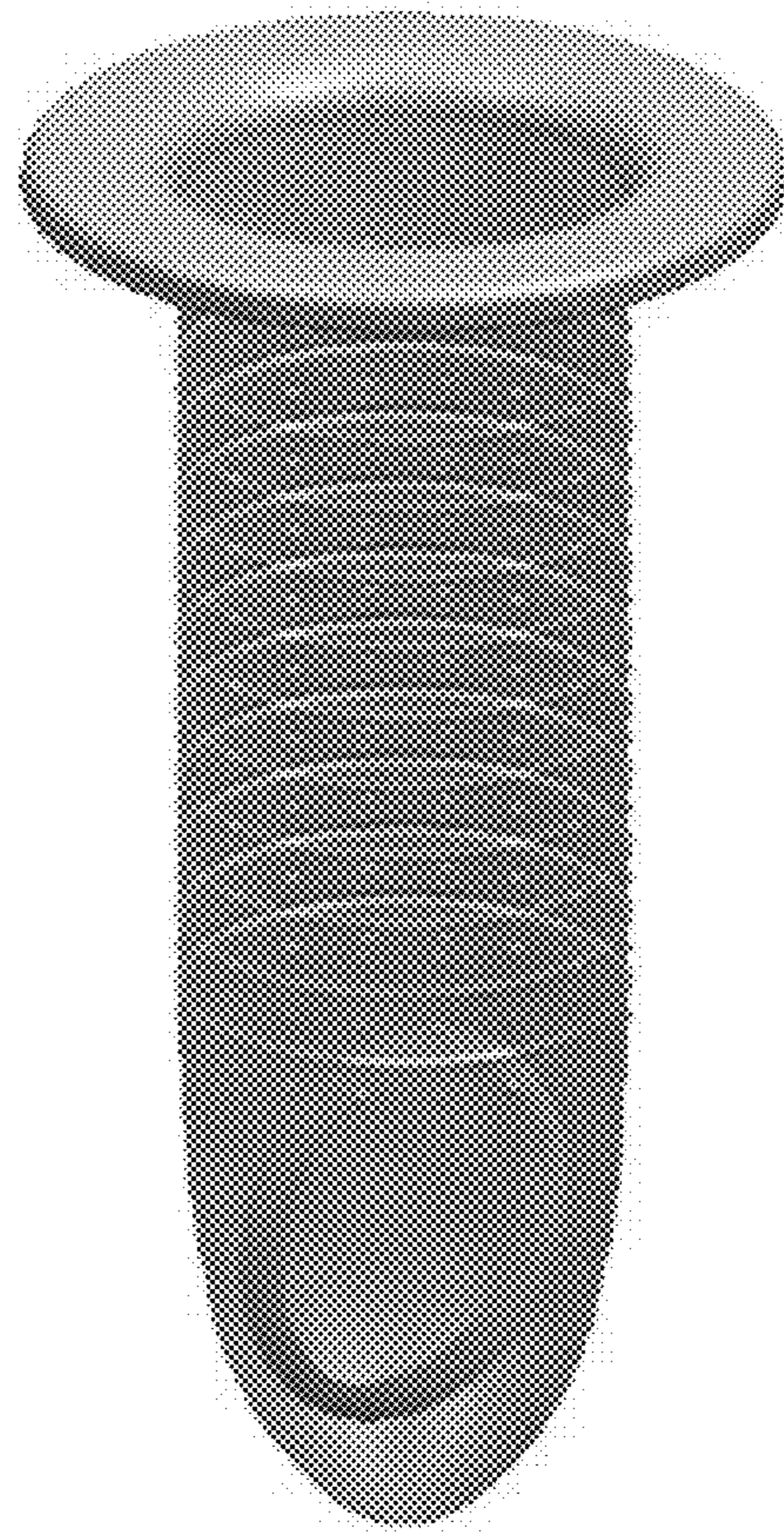


FIG. 6