



US00D940296S

(12) **United States Design Patent**
Park et al.

(10) **Patent No.:** **US D940,296 S**
(45) **Date of Patent:** **** Jan. 4, 2022**

(54) **HOLDER FOR PORTABLE ELECTRIC FAN**

(71) Applicant: **SK Networks Co., LTD.**, Suwon-si (KR)

(72) Inventors: **Jong Yong Park**, Seoul (KR); **Je Young Kwon**, Seongnam-si (KR)

(73) Assignee: **SK NETWORKS CO., LTD.**, Suwon-si (KR)

(**) Term: **15 Years**

(21) Appl. No.: **29/712,168**

(22) Filed: **Nov. 6, 2019**

(30) **Foreign Application Priority Data**

Jun. 27, 2019 (KR) 30-2019-0030808

(51) **LOC (13) Cl.** **23-03**

(52) **U.S. Cl.**
USPC **D23/411**

(58) **Field of Classification Search**
USPC D23/328, 332, 333, 370, 378–383, 385,
D23/335–337, 341, 351, 352, 354,
D23/411–414, 362, 364
CPC .. F04D 25/084; F04D 25/086; F04D 25/0673;
F04D 29/646
See application file for complete search history.

(56) **References Cited**

U.S. PATENT DOCUMENTS

| | | | | |
|-------------------|---------|-----------|-------|------------|
| D307,470 S * | 4/1990 | Utsuki | | D23/378 |
| D669,164 S * | 10/2012 | Hsu | | D23/411 |
| D727,488 S * | 4/2015 | Hsu | | D23/382 |
| D827,121 S * | 8/2018 | Wang | | D23/378 |
| D881,371 S * | 4/2020 | Hollinger | | D23/382 |
| D885,555 S * | 5/2020 | Wang | | D23/382 |
| D893,699 S * | 8/2020 | Zhu | | D23/382 |
| D905,843 S * | 12/2020 | Chen | | D23/382 |
| 2020/0263868 A1 * | 8/2020 | Chien | | F21V 23/06 |

OTHER PUBLICATIONS

The fan (with mobile power source of HF323-HF3231), Registration No. 304706608, Application No. 201830137424, application date Apr. 8, 2018, date published Jun. 29, 2018, Publication Country China, site visited Mar. 10, 2021, available at www.orbit.com.
Slide fan base, Registration No. 304395187, Application No. 201730062391, application date Mar. 7, 2017, date published Dec. 8, 2017, Publication Country China, site visited Mar. 12, 2021, available at www.orbit.com.
Anonymous: “AP201-F10W—April Stone”, Naver, URL: <https://smartstore.naver.com/monsterheadphone/products/4566407416>, Jun. 13, 2019.

* cited by examiner

Primary Examiner — Sharon S Oum

(74) *Attorney, Agent, or Firm* — Lex IP Meister, PLLC

(57) **CLAIM**

The ornamental design for a holder for portable electric fan, as shown and described.

DESCRIPTION

FIG. 1 is a perspective view of a holder for portable electric fan showing our new design;
FIG. 2 is a front elevational view thereof;
FIG. 3 is a rear elevational view thereof;
FIG. 4 is a left side elevational view thereof;
FIG. 5 is a right side elevational view thereof;
FIG. 6 is a top plan view thereof;
FIG. 7 is a bottom plan view thereof; and,
FIG. 8 is a perspective view of the holder for portable electric fan showing our new design in a state of use.
The broken lines in the drawings depict portions of the holder for portable electric fan and environmental structure. None of the broken lines form part of the claimed design.

1 Claim, 8 Drawing Sheets

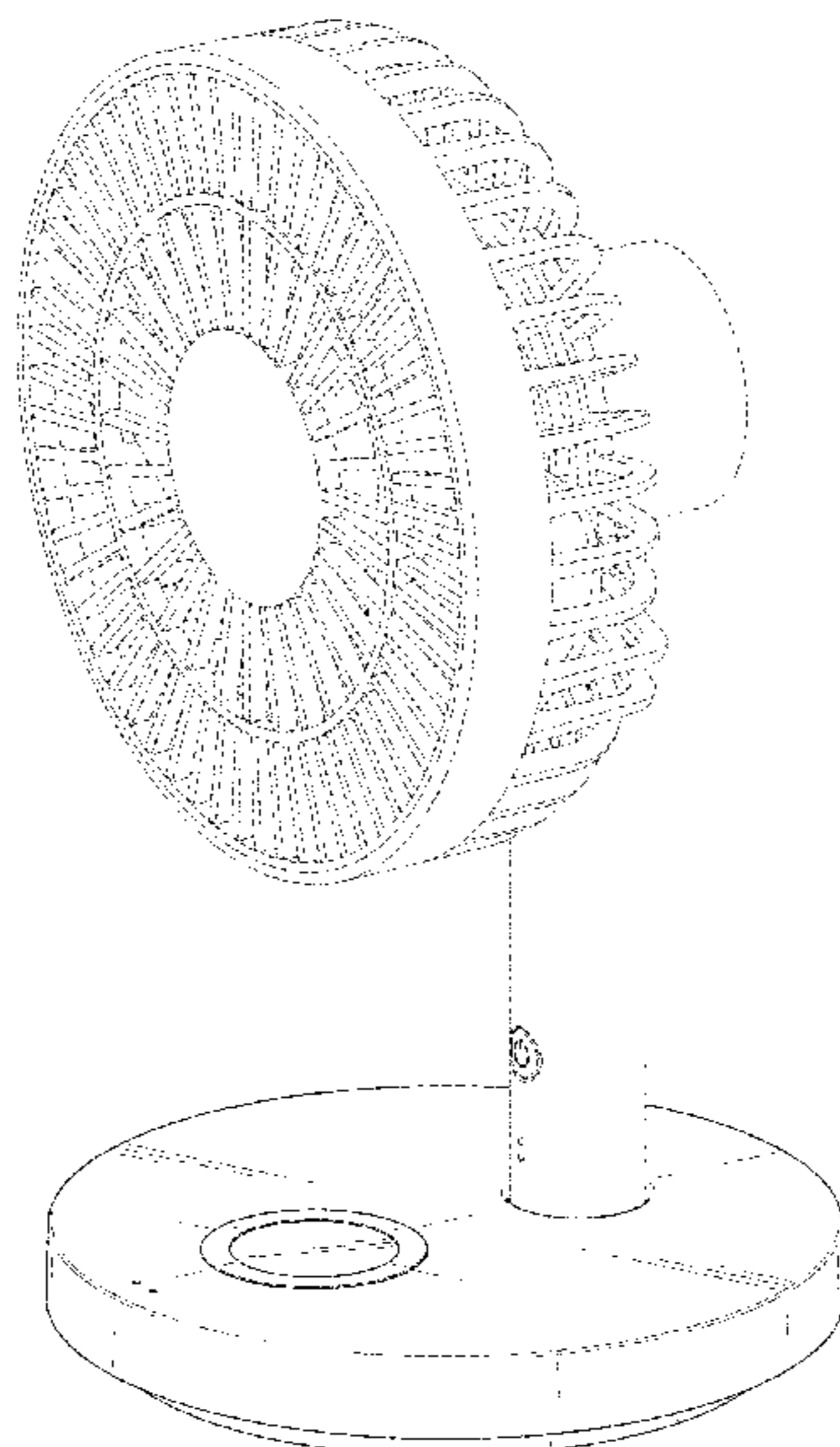


FIG. 1

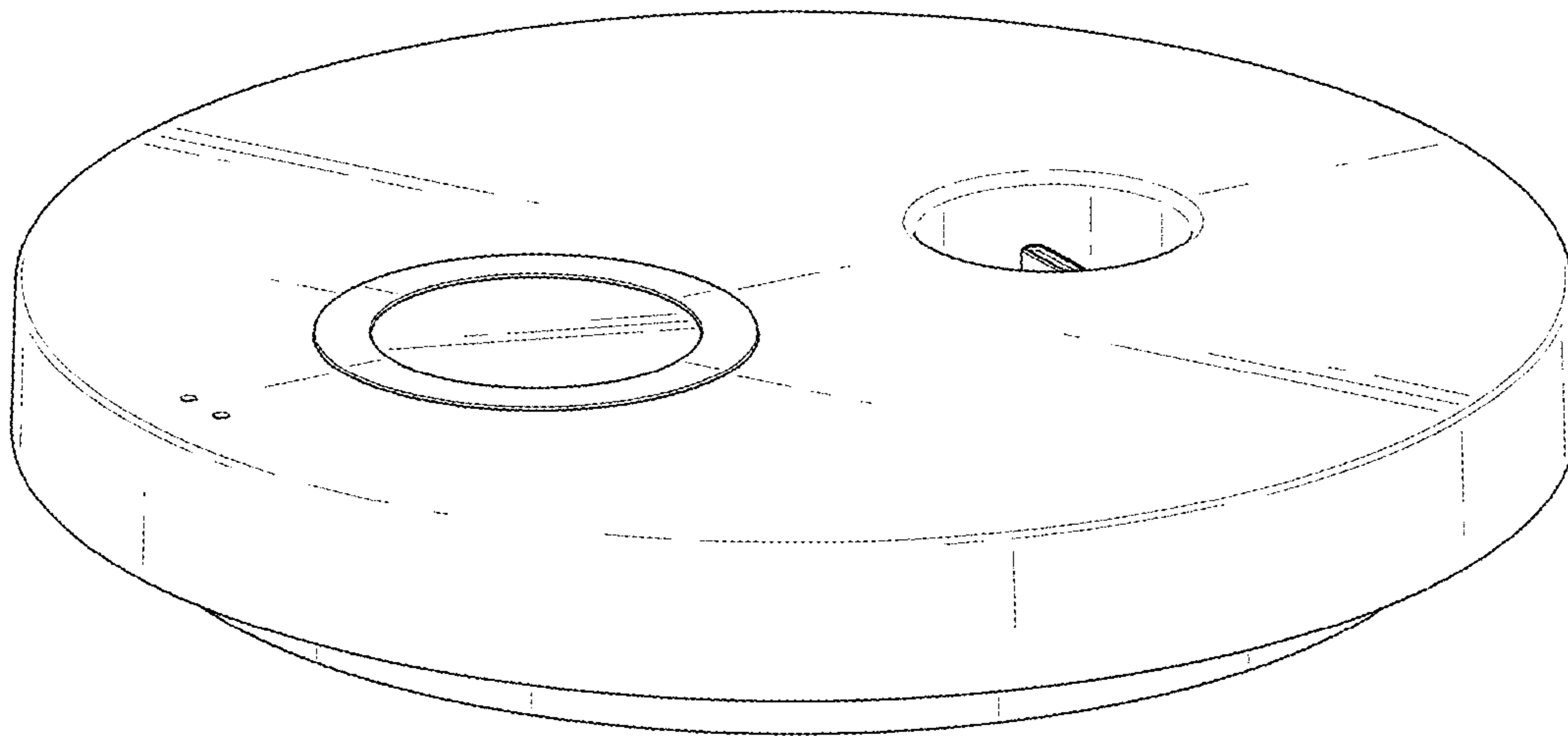


FIG. 2

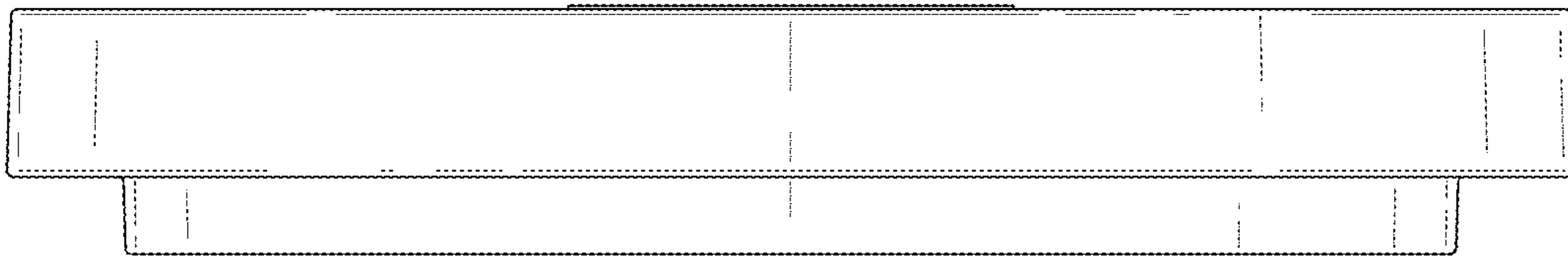


FIG. 3

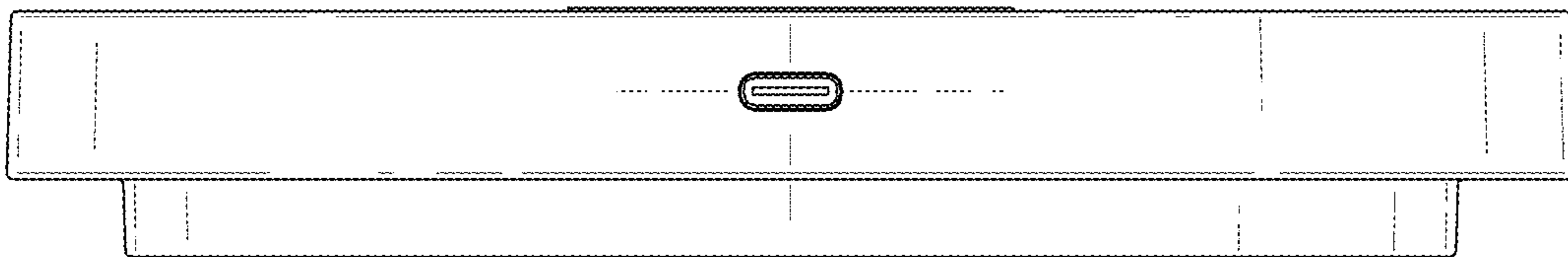


FIG. 4

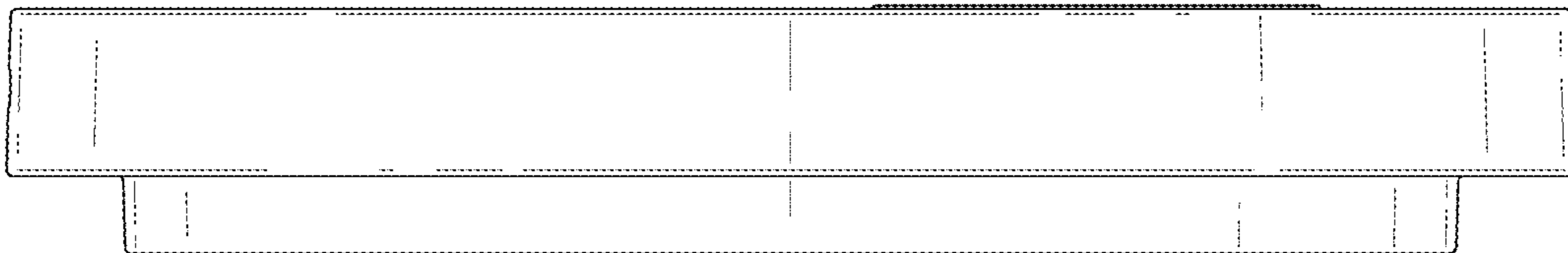


FIG. 5

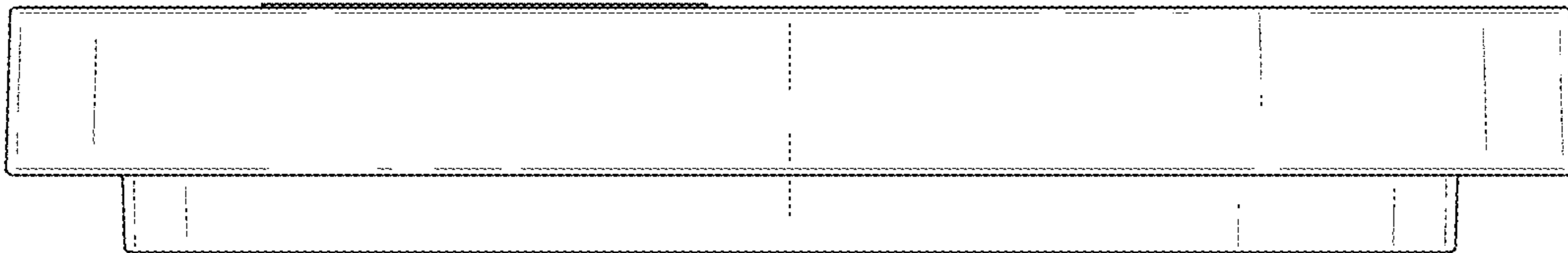


FIG. 6

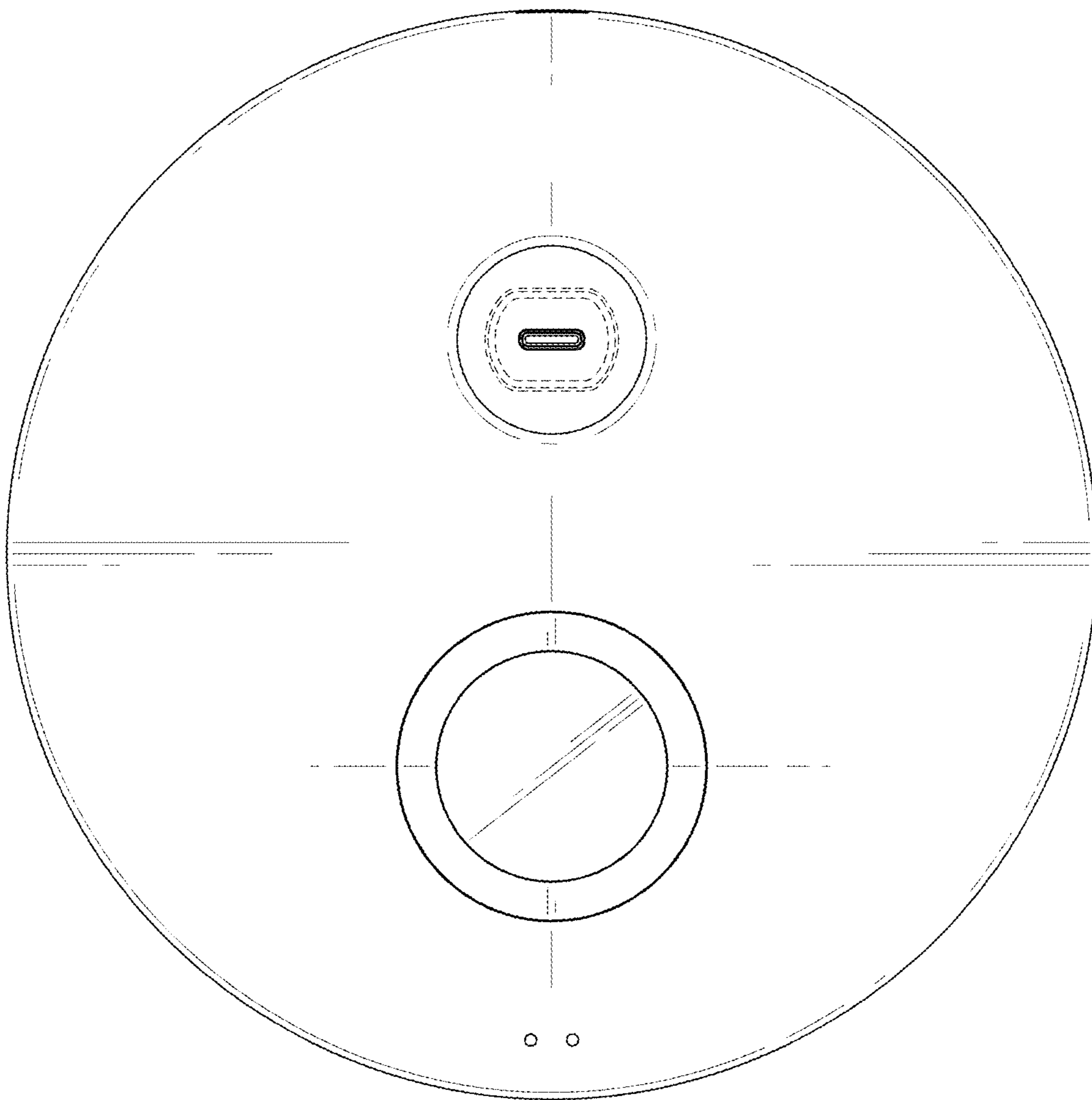


FIG. 7

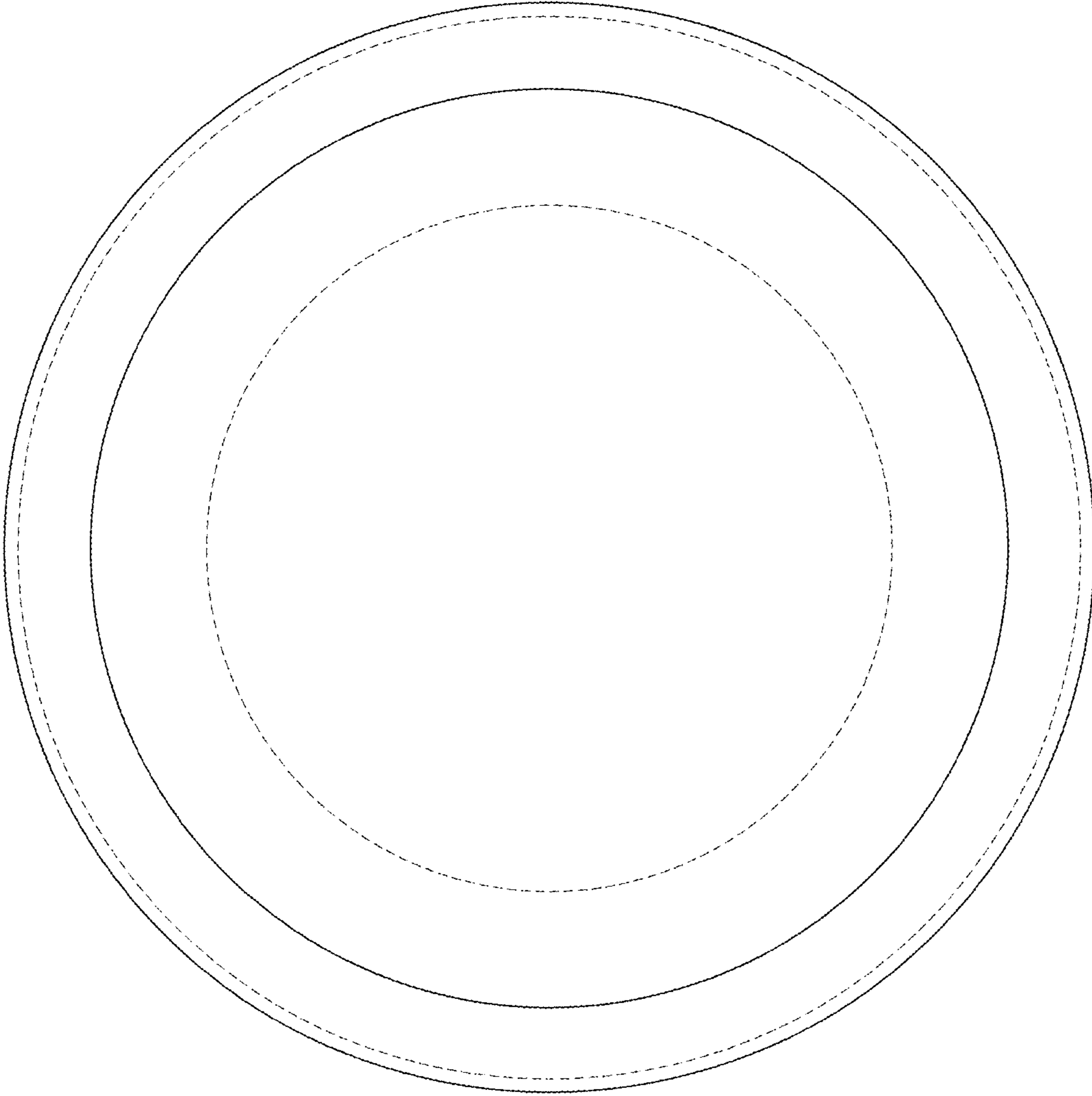


FIG. 8

