



US00D940295S

(12) **United States Design Patent**
Li

(10) **Patent No.:** **US D940,295 S**
(45) **Date of Patent:** **** Jan. 4, 2022**

(54) **PORTABLE FAN**

(71) Applicant: **SHENZHEN JISU TECHNOLOGY CO., LTD.**, Shenzhen (CN)

(72) Inventor: **Xiangfu Li**, Shenzhen (CN)

(73) Assignee: **SHENZHEN JISU TECHNOLOGY CO., LTD.**, Shenzhen (CN)

(**) Term: **15 Years**

(21) Appl. No.: **29/749,571**

(22) Filed: **Sep. 7, 2020**

(30) **Foreign Application Priority Data**

Apr. 21, 2020 (CN) 202030164838.0

(51) **LOC (13) Cl.** **23-04**

(52) **U.S. Cl.**
USPC **D23/382**

(58) **Field of Classification Search**

USPC D23/328, 332, 333, 335-337, 351, 352,
D23/364, 370, 378, 380, 381-383,
D23/411-414; D26/59

CPC F04D 25/0673; F04D 25/08; F04D 25/084;
F04D 25/086; F04D 29/4226

See application file for complete search history.

(56) **References Cited**

U.S. PATENT DOCUMENTS

D529,166 S * 9/2006 Geringer D23/379
D837,963 S * 1/2019 Xu D23/382

D893,699 S * 8/2020 Zhu D23/382
D902,373 S * 11/2020 Xu D23/382
D907,187 S * 1/2021 Li D23/382
2020/0191152 A1 * 6/2020 Toyoda A41D 13/0025

OTHER PUBLICATIONS

JISULIFE Mini Handheld Versatile Fan, date first available Mar. 1, 2021, site visited Nov. 4, 2021, available from internet <<https://www.amazon.com/JISULIFE-Handheld-Portable-Rechargeable-Multifunctional/dp/B08XBPMLH?th=1>>.*

* cited by examiner

Primary Examiner — Sharon S Oum

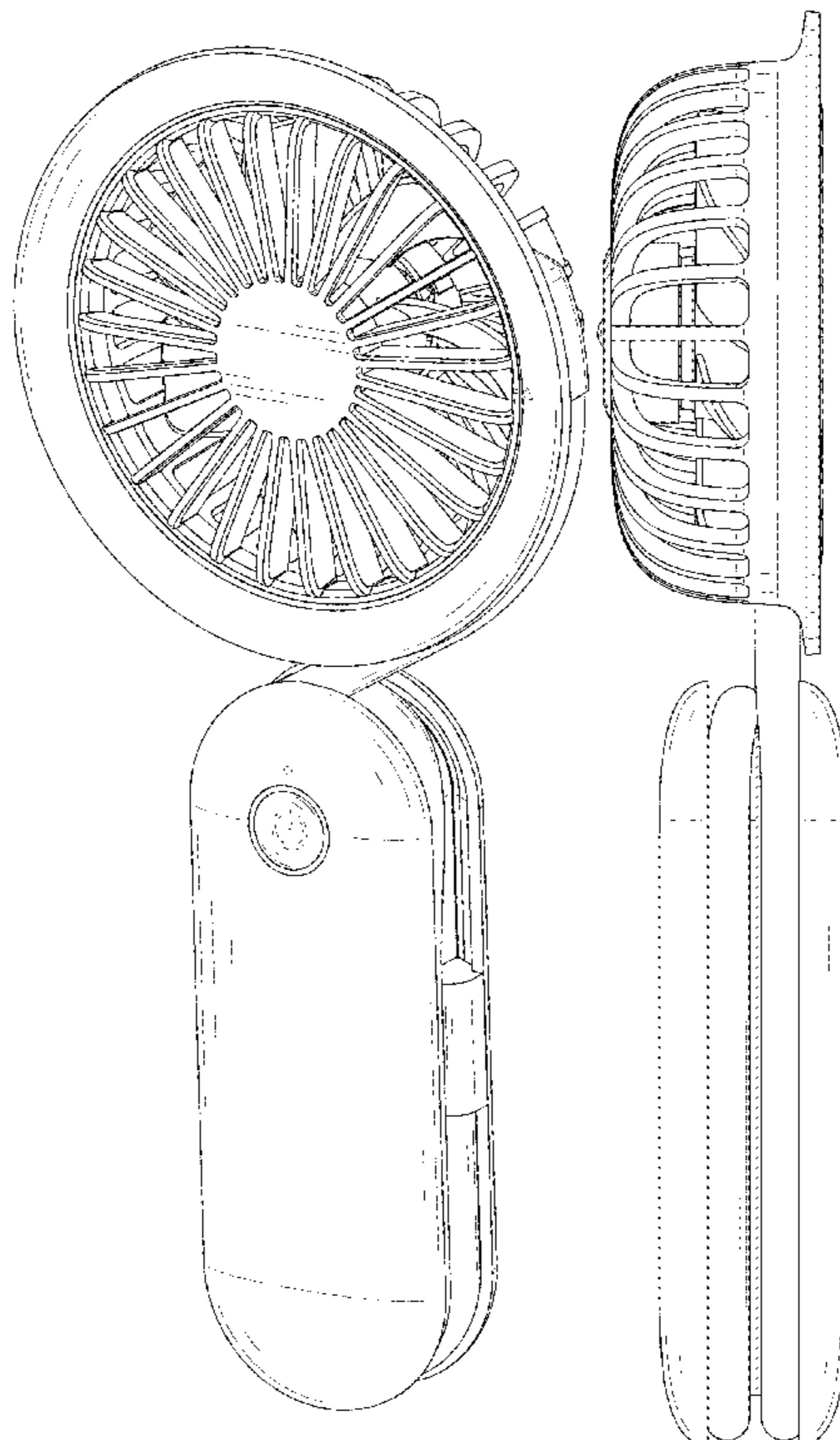
(57) **CLAIM**

The ornamental design for a portable fan, as shown and described.

DESCRIPTION

FIG. 1 is a perspective view of a portable fan showing my new design;
FIG. 2 is another perspective view thereof;
FIG. 3 is a front elevational view thereof;
FIG. 4 is a rear elevational view thereof;
FIG. 5 is a left side elevational view thereof;
FIG. 6 is a right side elevational view thereof;
FIG. 7 is a top plan view thereof; and,
FIG. 8 is a bottom plan view thereof.
The broken lines in the drawings depict portions of the portable fan that form no part of the claimed design.

1 Claim, 8 Drawing Sheets



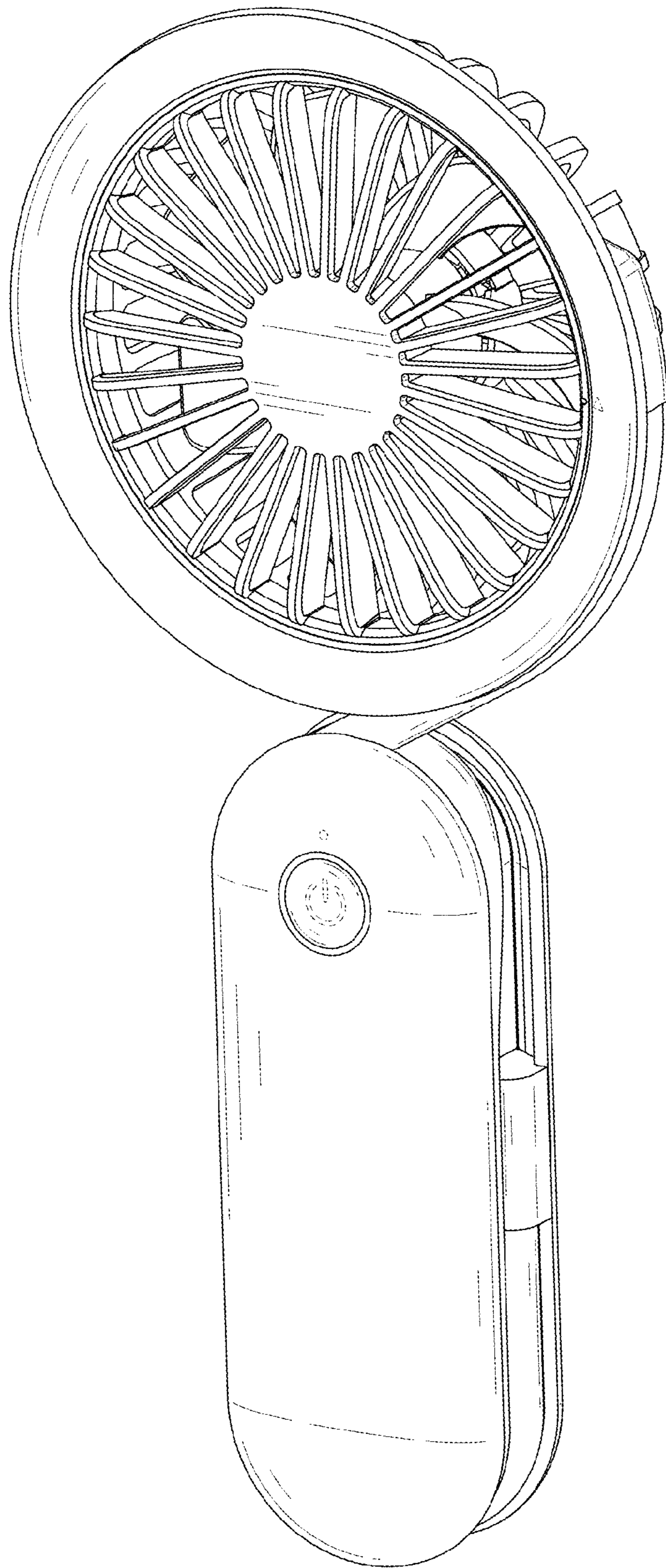


FIG. 1

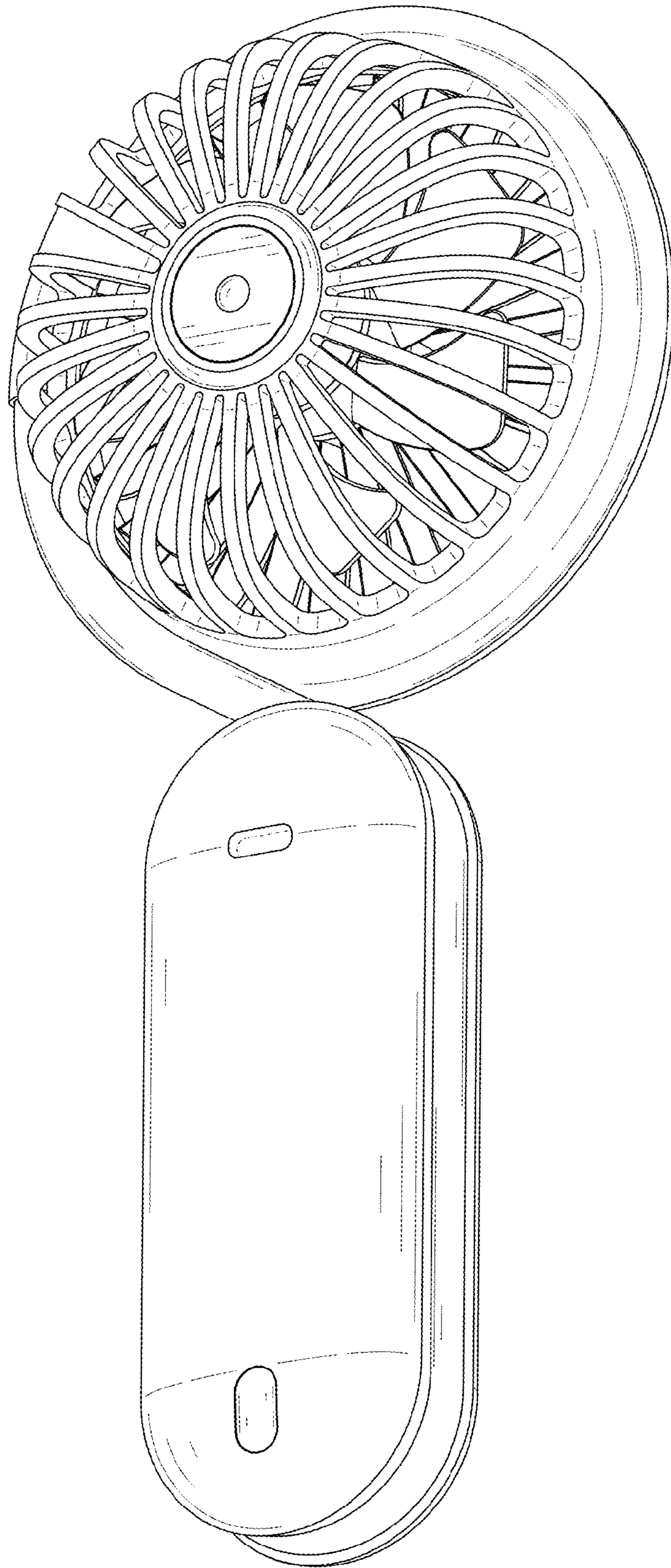


FIG. 2

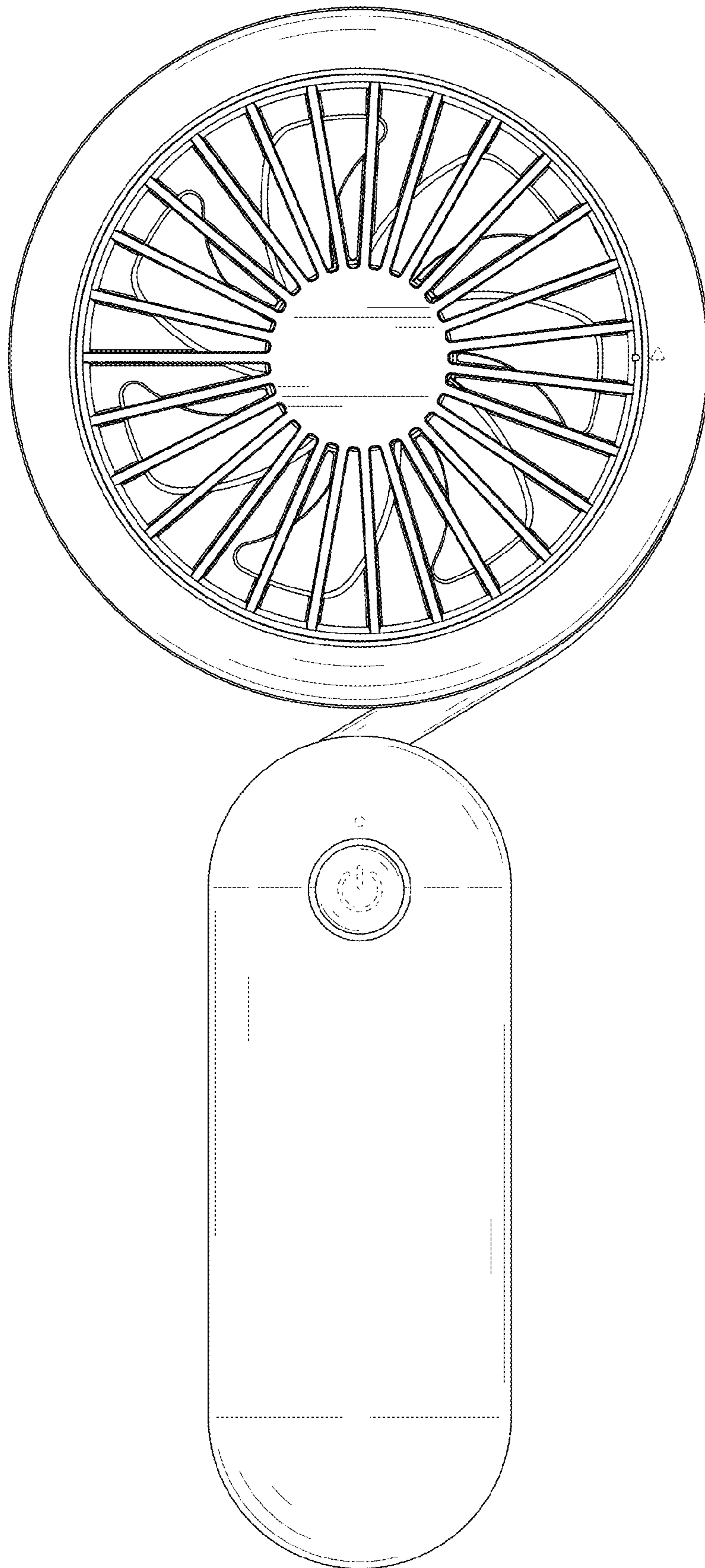


FIG. 3

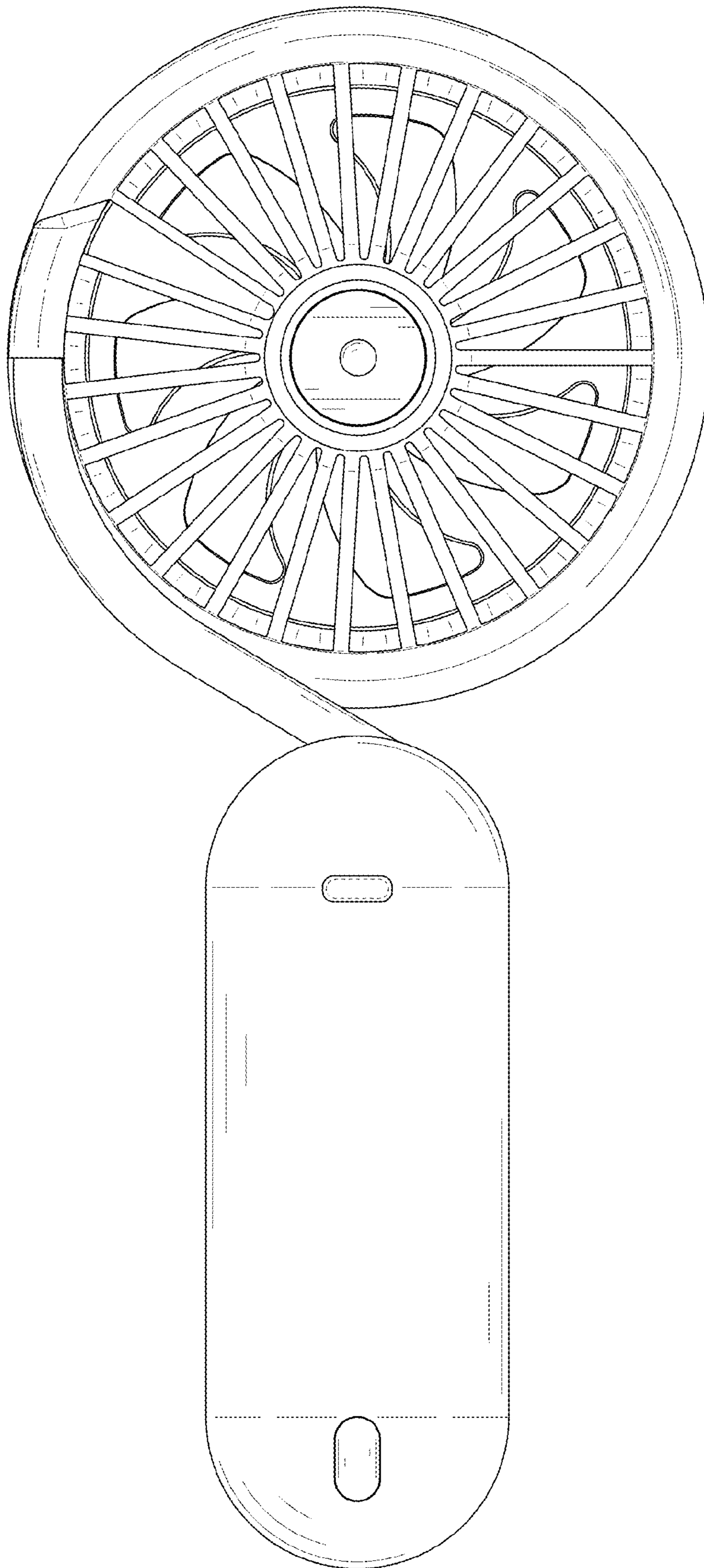


FIG. 4

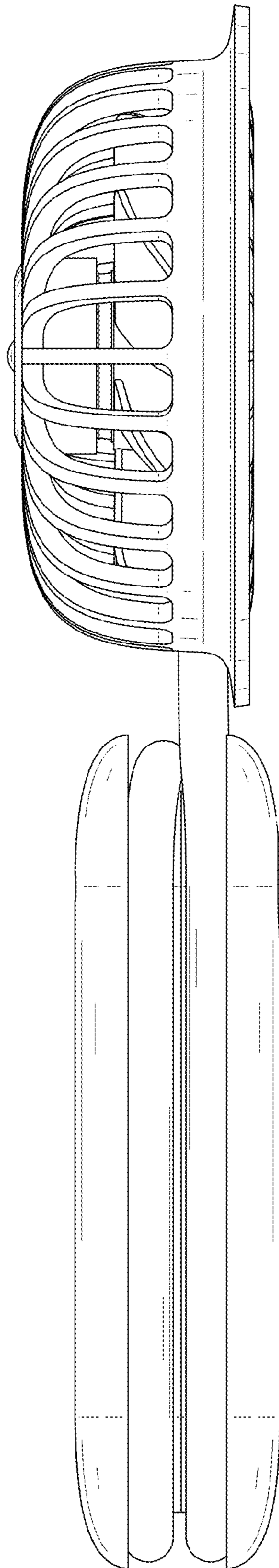


FIG. 5

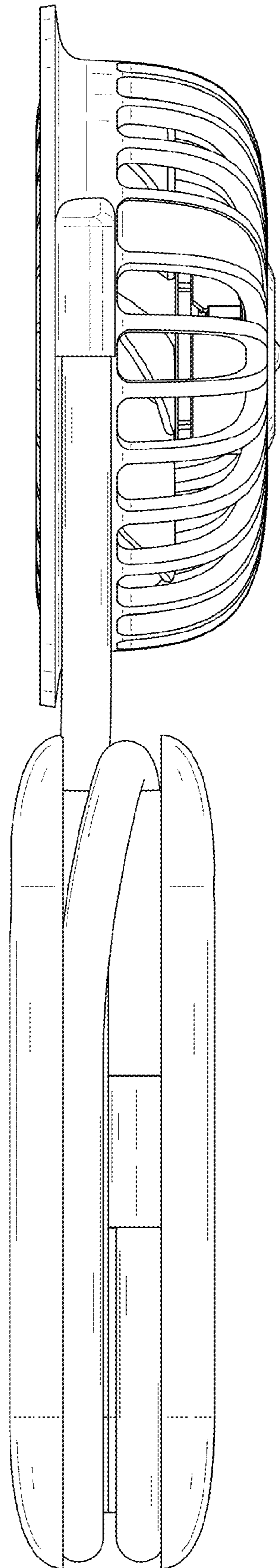


FIG. 6

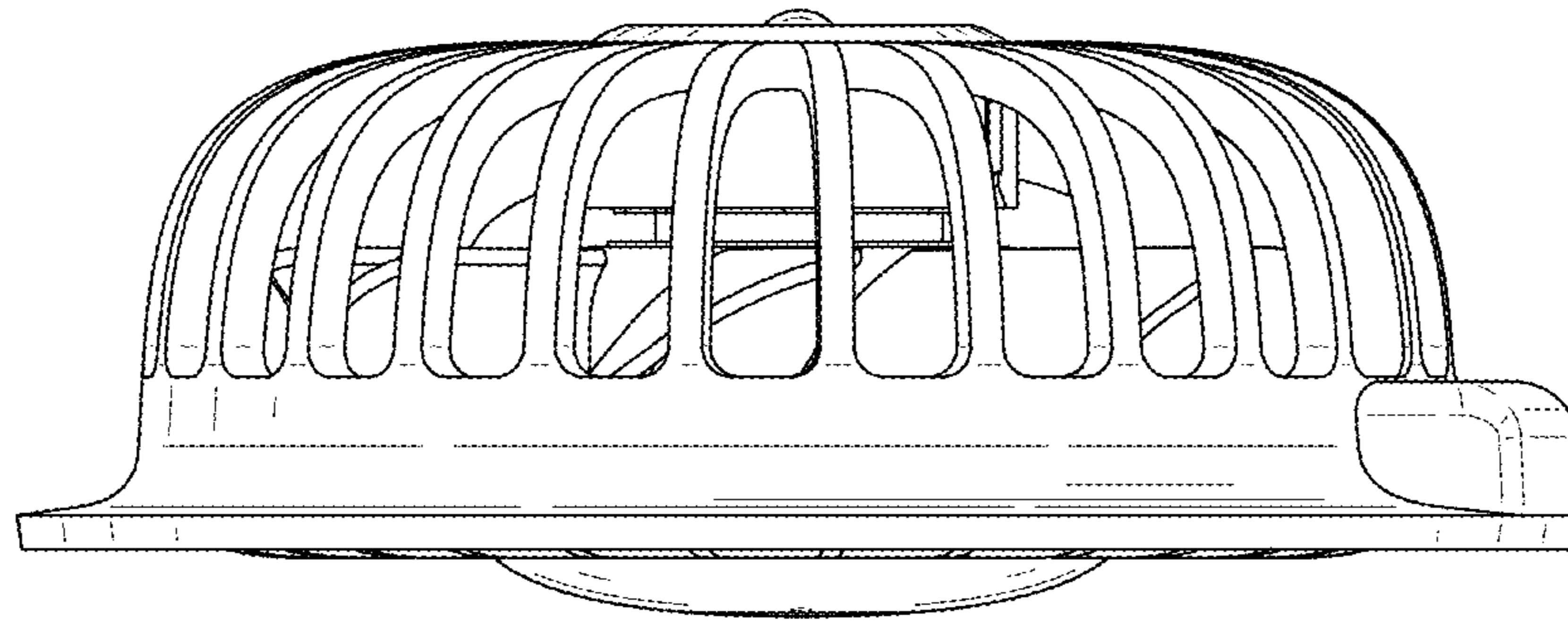


FIG. 7

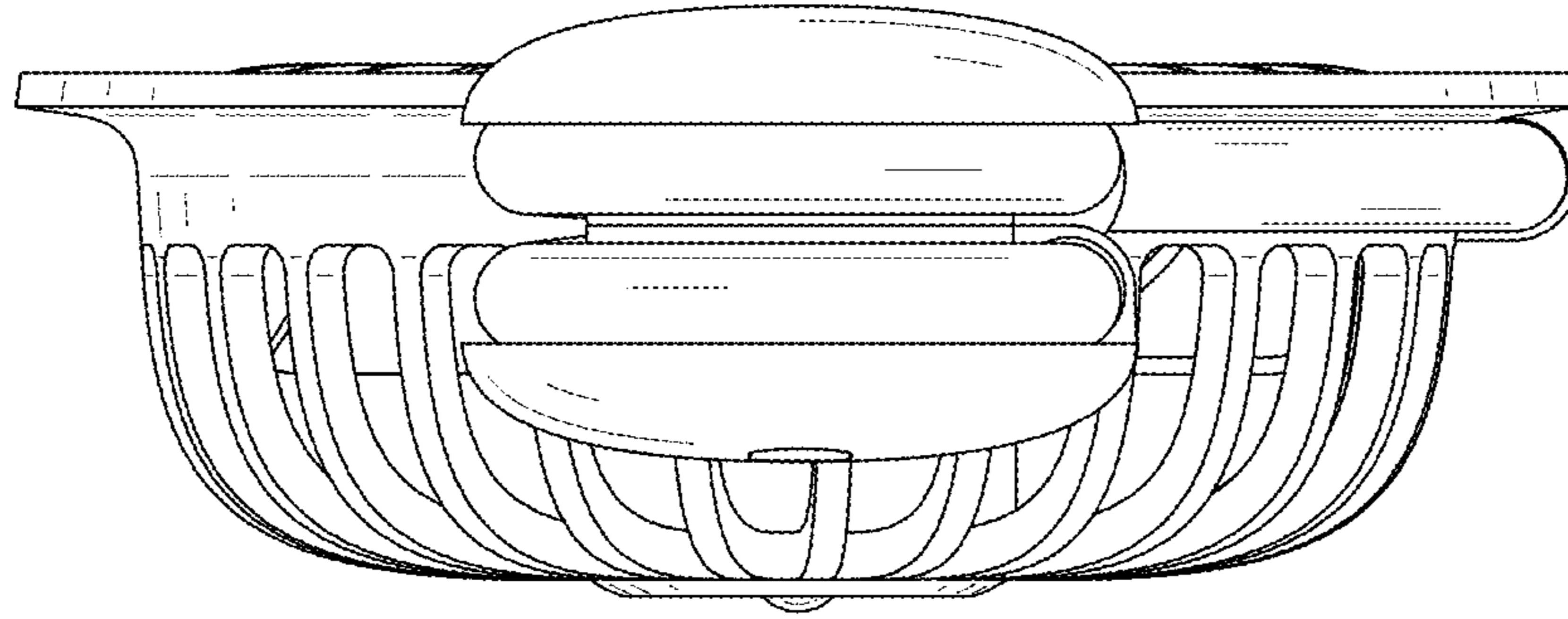


FIG. 8