

US00D940294S

(12) **United States Design Patent**
Park et al.

(10) **Patent No.:** **US D940,294 S**
(45) **Date of Patent:** **** Jan. 4, 2022**

(54) **PORTABLE ELECTRIC FAN**
(71) Applicant: **SK Networks Co., LTD.**, Suwon-si (KR)

(72) Inventors: **Jong Yong Park**, Seoul (KR); **Je Young Kwon**, Seongnam-si (KR)

(73) Assignee: **SK NETWORKS CO., LTD.**, Suwon-si (KR)

(**) Term: **15 Years**

(21) Appl. No.: **29/712,177**

(22) Filed: **Nov. 6, 2019**

(30) **Foreign Application Priority Data**

Jun. 27, 2019 (KR) 30-2019-0030807

(51) **LOC (13) Cl.** **23-04**

(52) **U.S. Cl.**
USPC **D23/382**

(58) **Field of Classification Search**
USPC D23/328, 332, 333, 370, 378–383, 385,
D23/335–337, 341, 351, 352, 354,
D23/411–414, 362, 364
CPC .. F04D 25/084; F04D 25/086; F04D 25/0673;
F04D 29/646
See application file for complete search history.

(56) **References Cited**

U.S. PATENT DOCUMENTS

D307,470 S *	4/1990	Utsuki	D23/378
D727,488 S *	4/2015	Hsu	D23/382
D855,171 S *	7/2019	Xu	D23/382
D879,283 S *	3/2020	Liao	D23/382
D881,371 S *	4/2020	Hollinger	D23/382
D885,555 S *	5/2020	Wang	D23/382
D893,699 S *	8/2020	Zhu	D23/382
D902,373 S *	11/2020	Xu	D23/382
D905,843 S *	12/2020	Chen	D23/382
D907,187 S *	1/2021	Li	D23/382

D907,188 S *	1/2021	Zhang	D23/382
D907,189 S *	1/2021	Zhang	D23/382
2016/0356279 A1 *	12/2016	Xu	F04D 29/327
2019/0351360 A1 *	11/2019	Plotkin	F24F 7/007
2020/0191152 A1 *	6/2020	Toyoda	A42B 3/285

OTHER PUBLICATIONS

The fan (with mobile power source of HF323-HF3231), Registration No. 304706608, Application No. 201830137424, application date Apr. 8, 2018, date published Jun. 29, 2018, Publication Country China, site visited Mar. 10, 2021, available at www.orbit.com.
Anonymous: “AP201-F10W—April Stone”, Naver, URL: <https://smartstore.naver.com/monsterheadphone/products/4566407416>, Jun. 13, 2019.

* cited by examiner

Primary Examiner — Sharon S Oum

(74) *Attorney, Agent, or Firm* — Lex IP Meister, PLLC

(57) **CLAIM**

The ornamental design for a portable electric fan, as shown and described.

DESCRIPTION

FIG. 1 is a perspective view of a portable electric fan showing our new design;
FIG. 2 is a front elevational view thereof;
FIG. 3 is a rear elevational view thereof;
FIG. 4 is a left side elevational view thereof;
FIG. 5 is a right side elevational view thereof;
FIG. 6 is a top plan view thereof;
FIG. 7 is a bottom plan view thereof;
FIG. 8 is a view identical to FIG. 1, and shown with the holder environment; and,
FIG. 9 is another perspective view thereof, but shown in an alternate position.
The broken lines in the drawings depict portions of the portable electric fan and environmental structure. None of the broken lines form part of the claimed design.

1 Claim, 9 Drawing Sheets

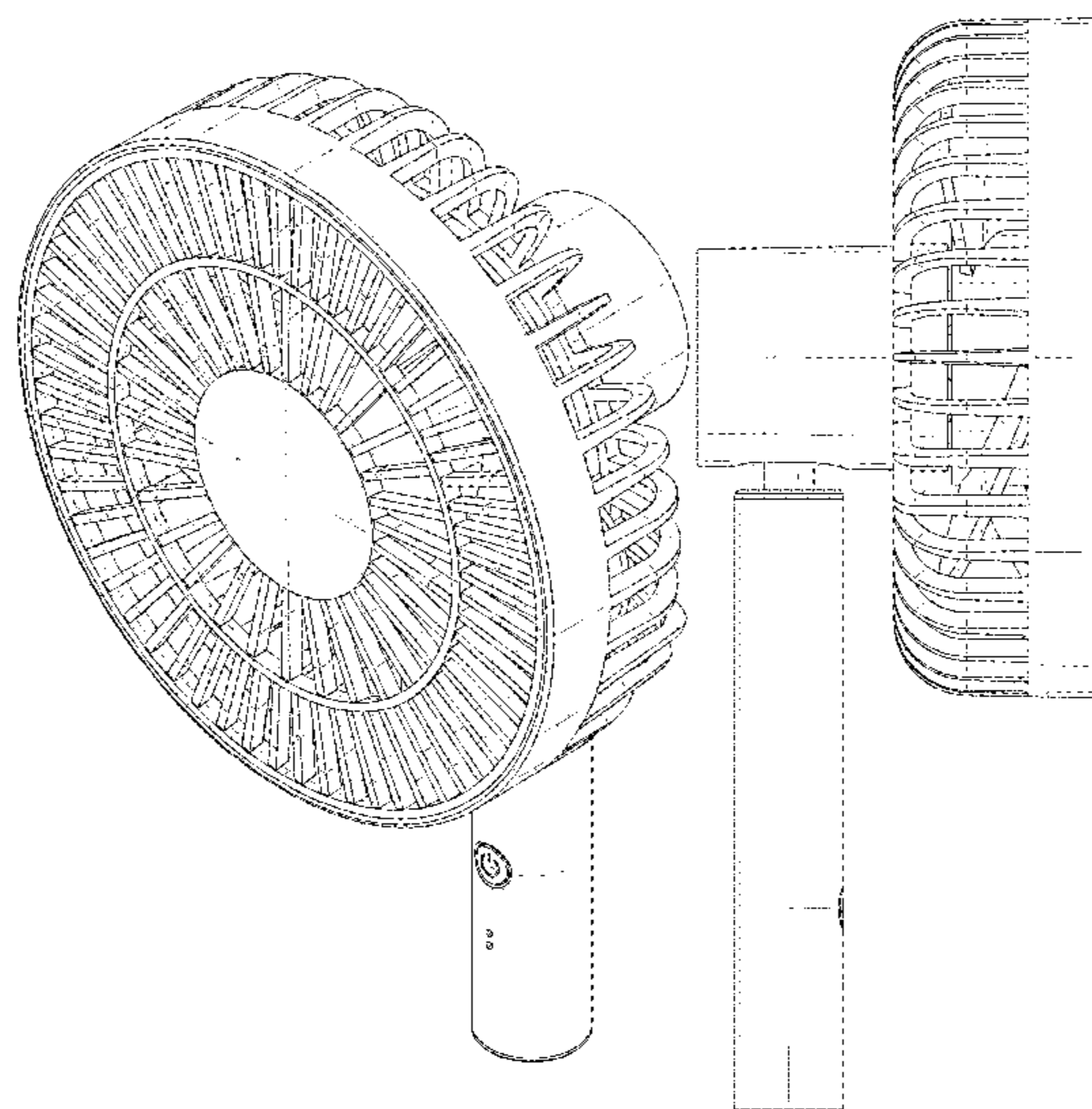


FIG. 1

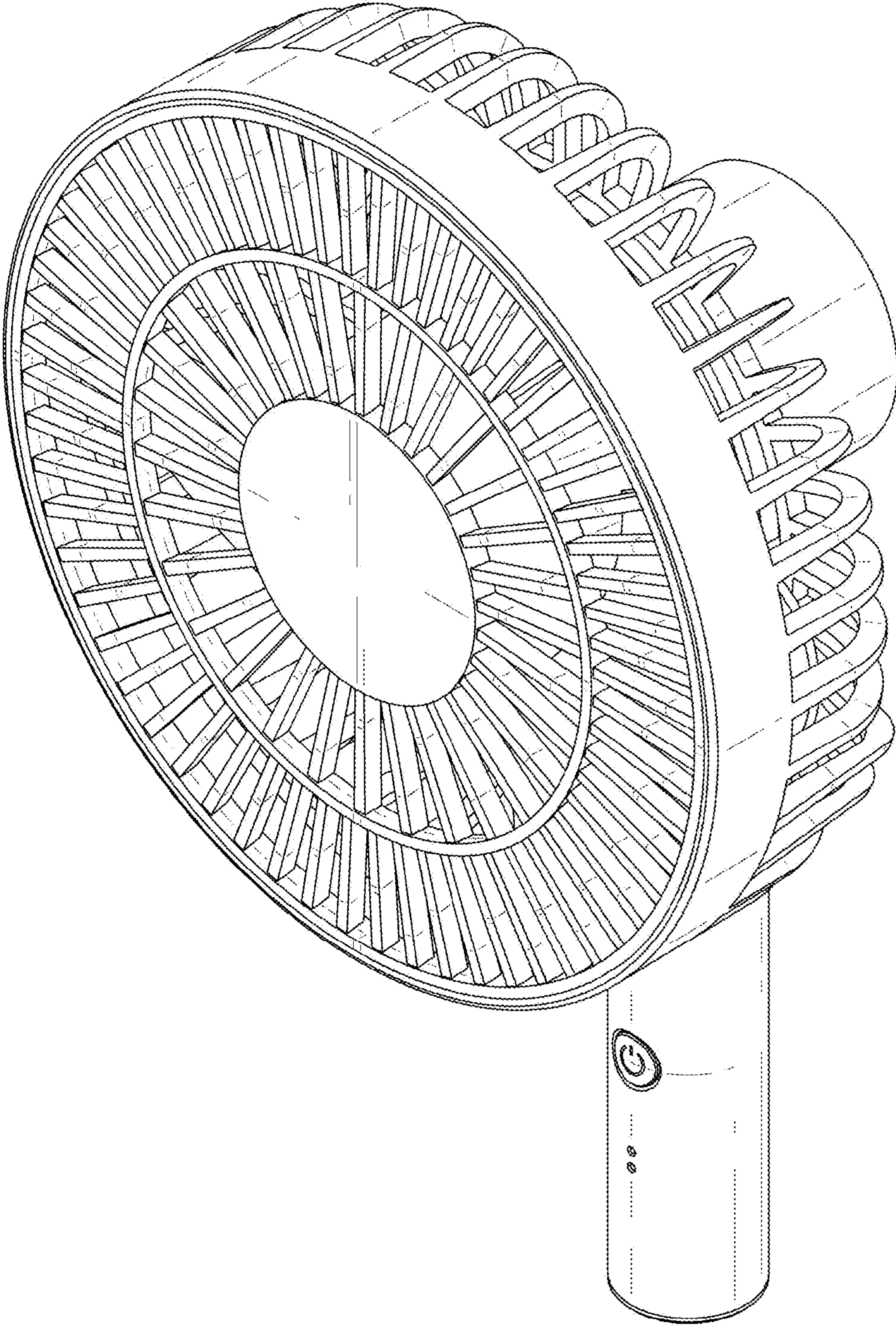


FIG. 2

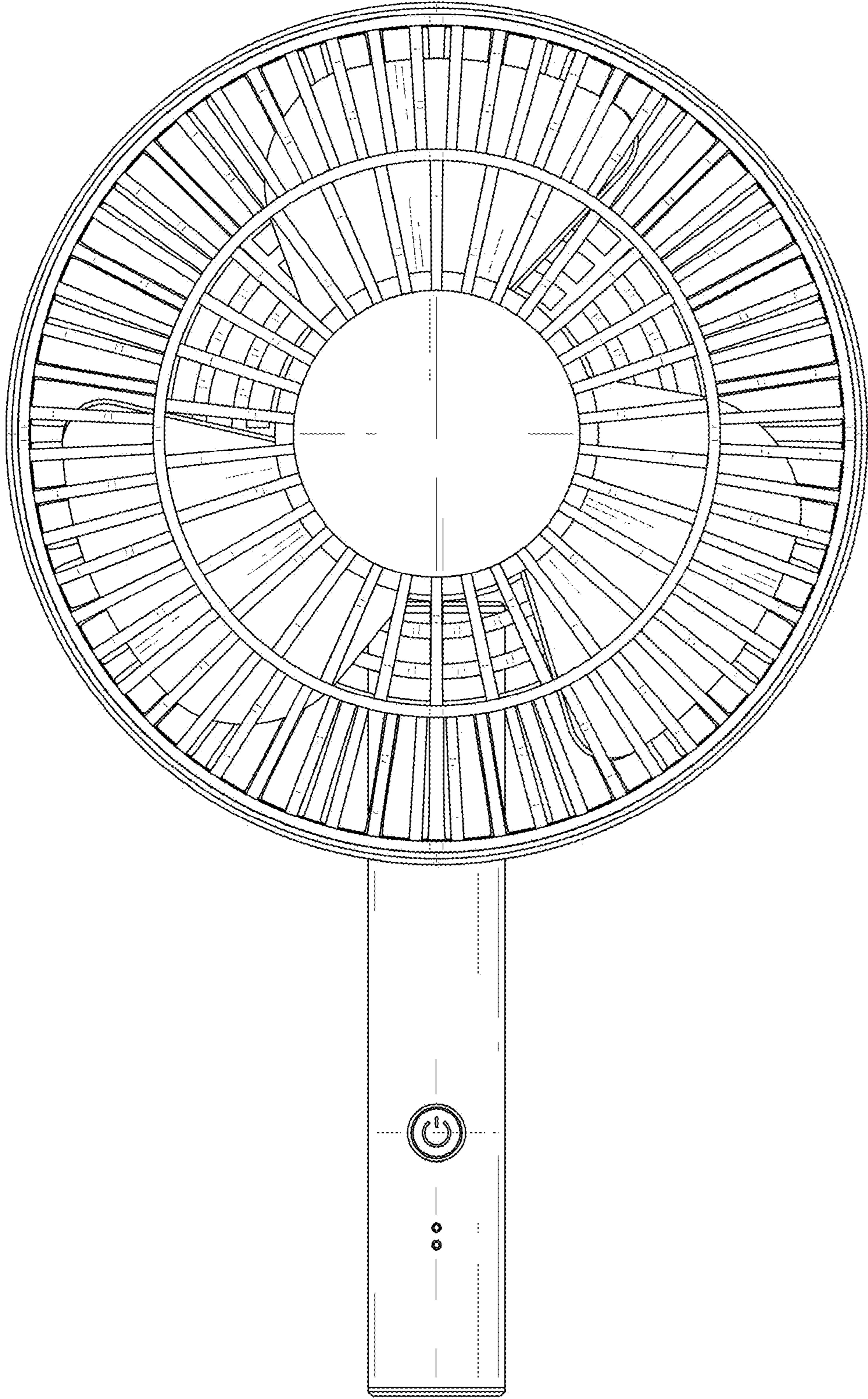


FIG. 3

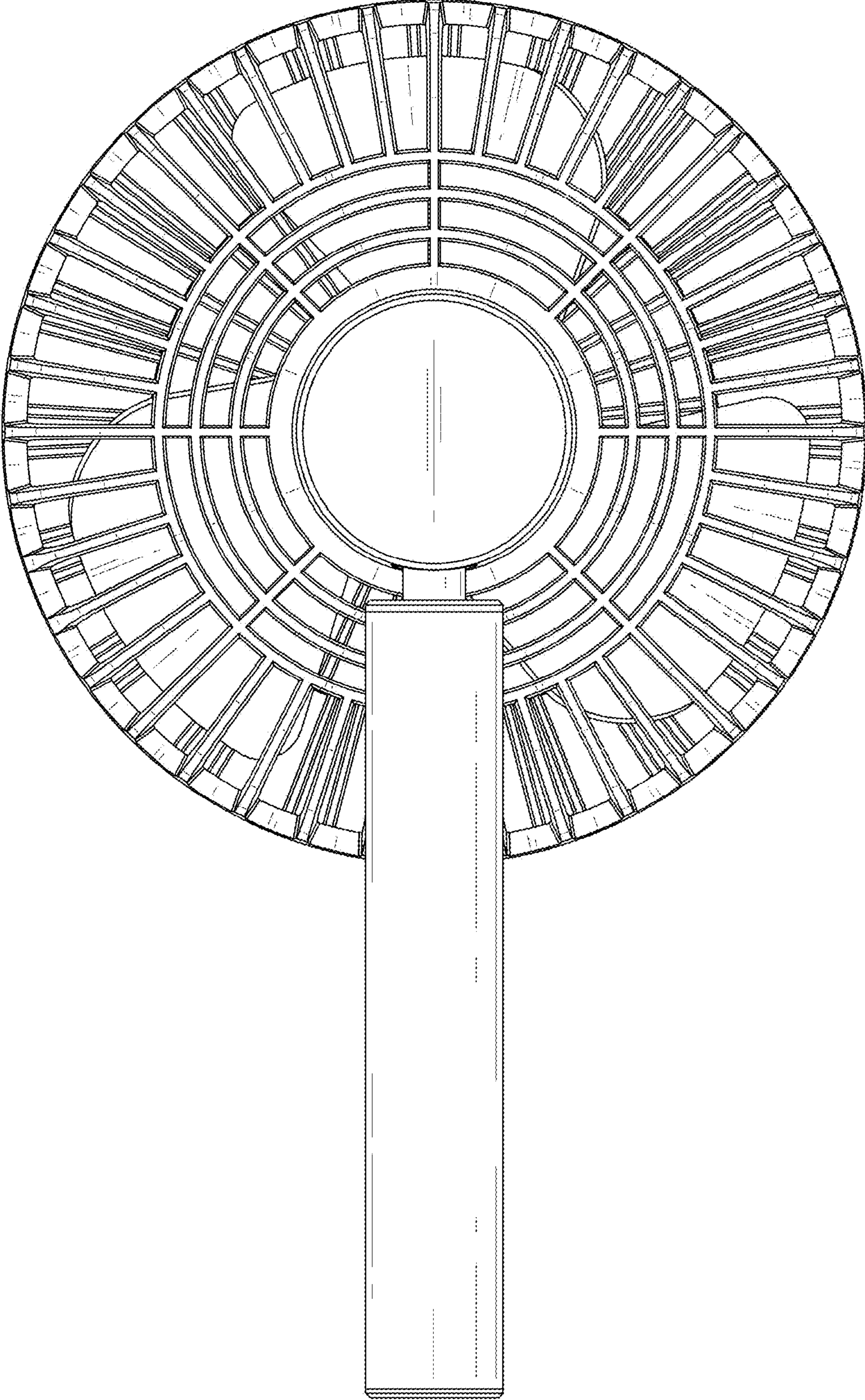


FIG. 4

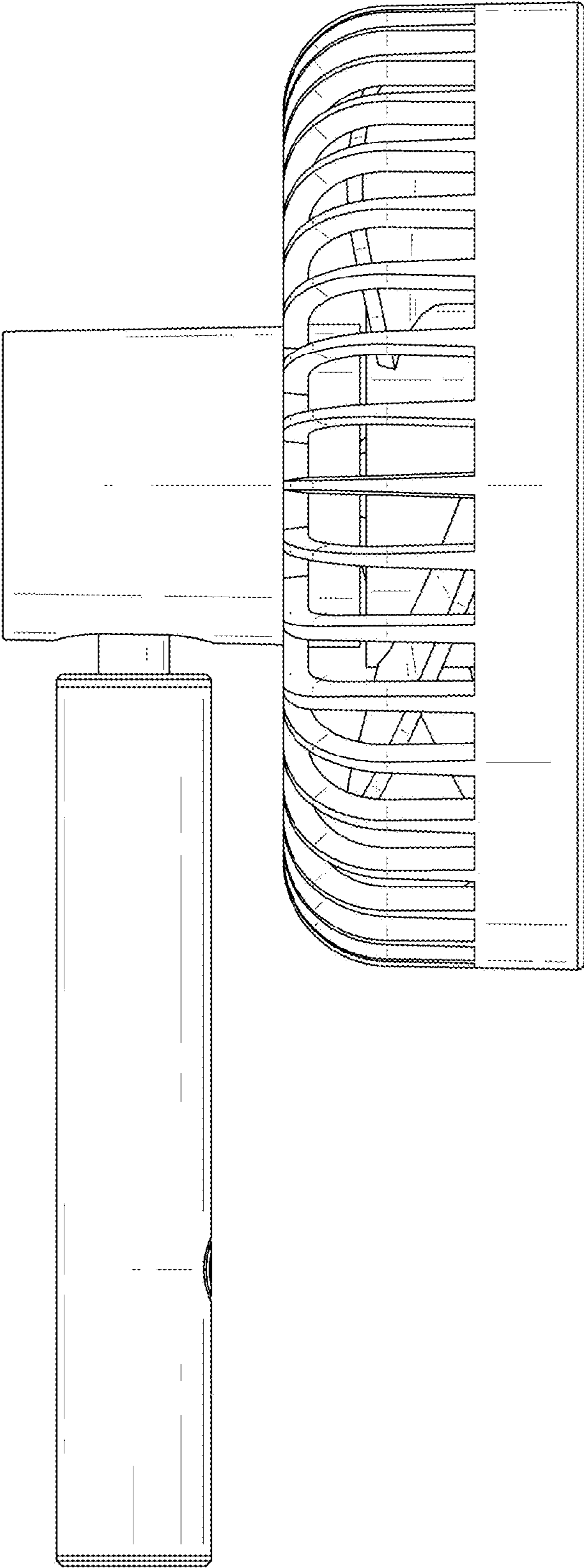


FIG. 5

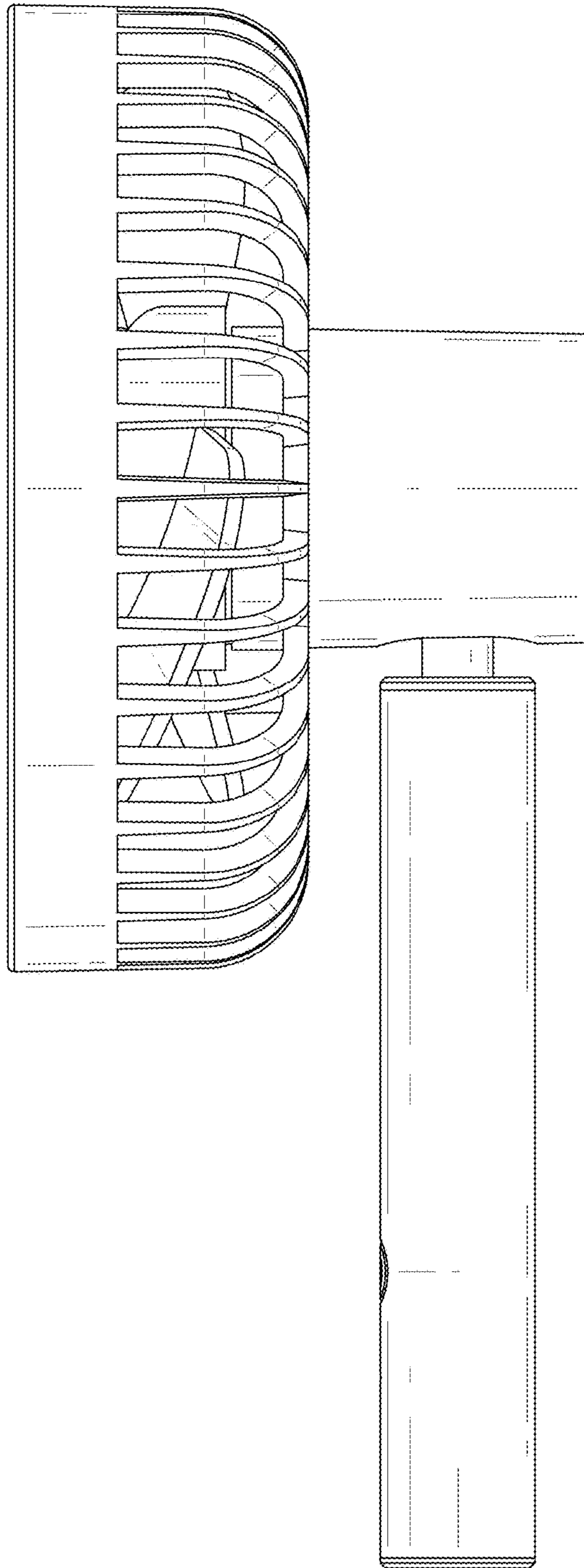


FIG. 6

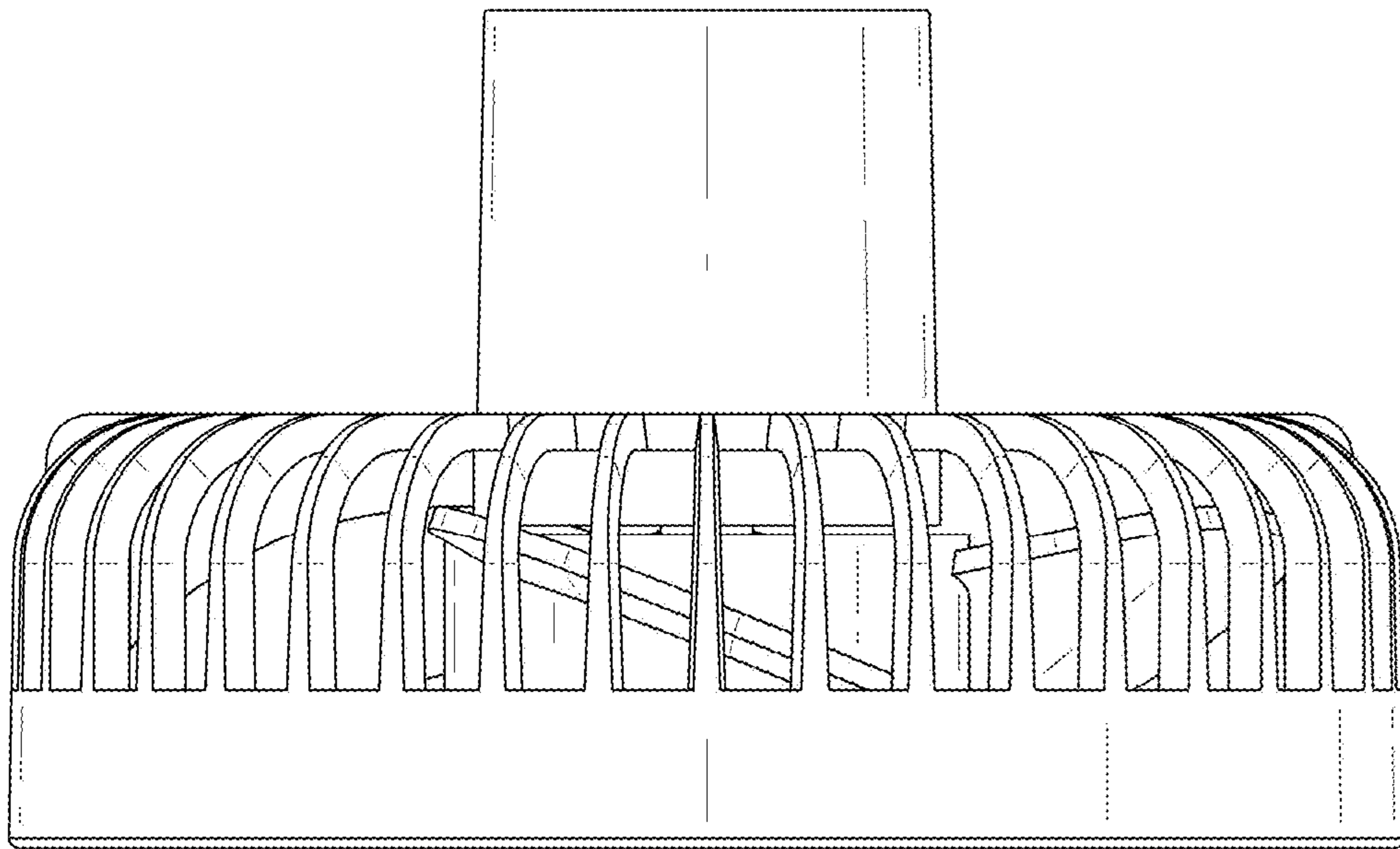


FIG. 7

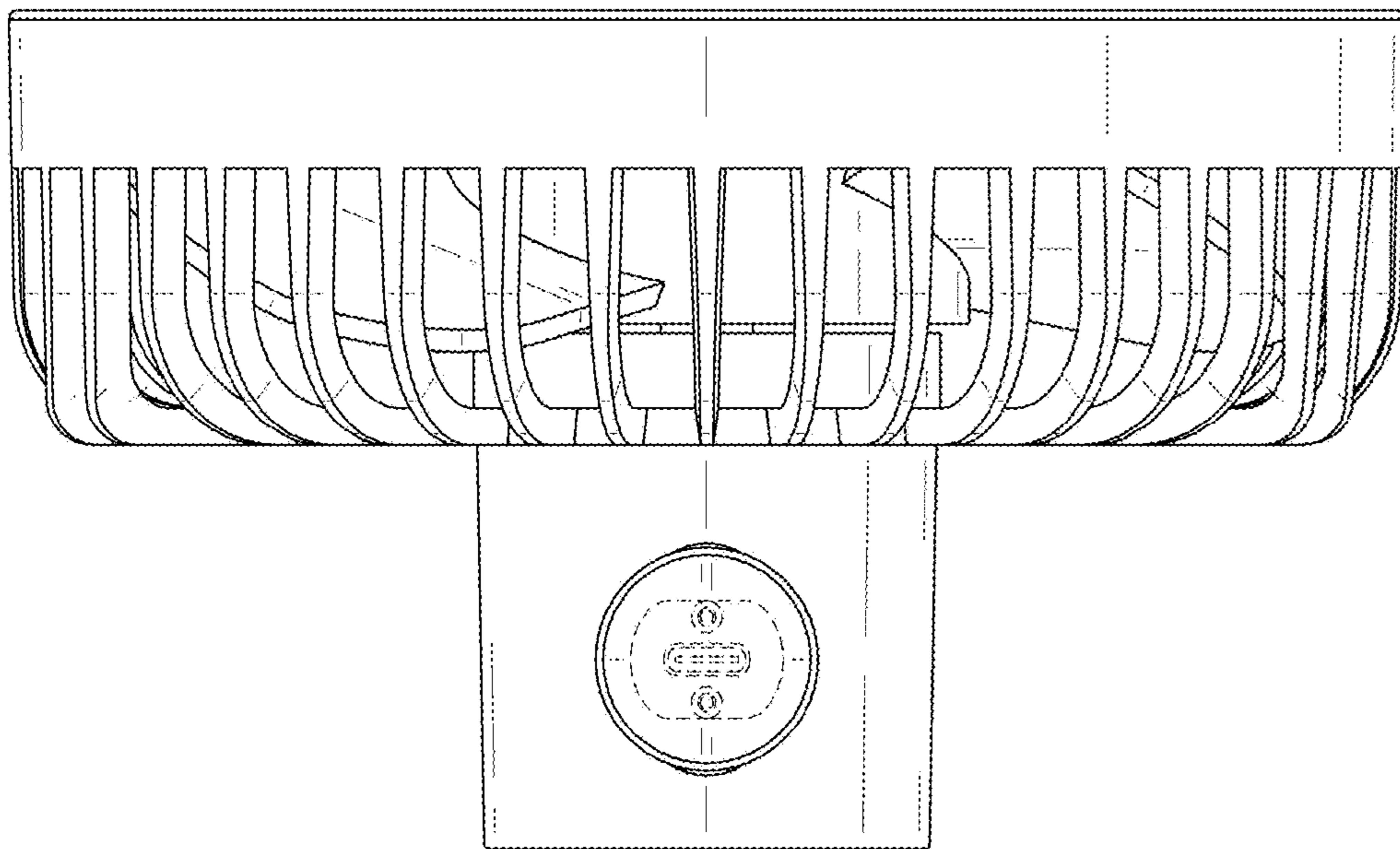


FIG. 8

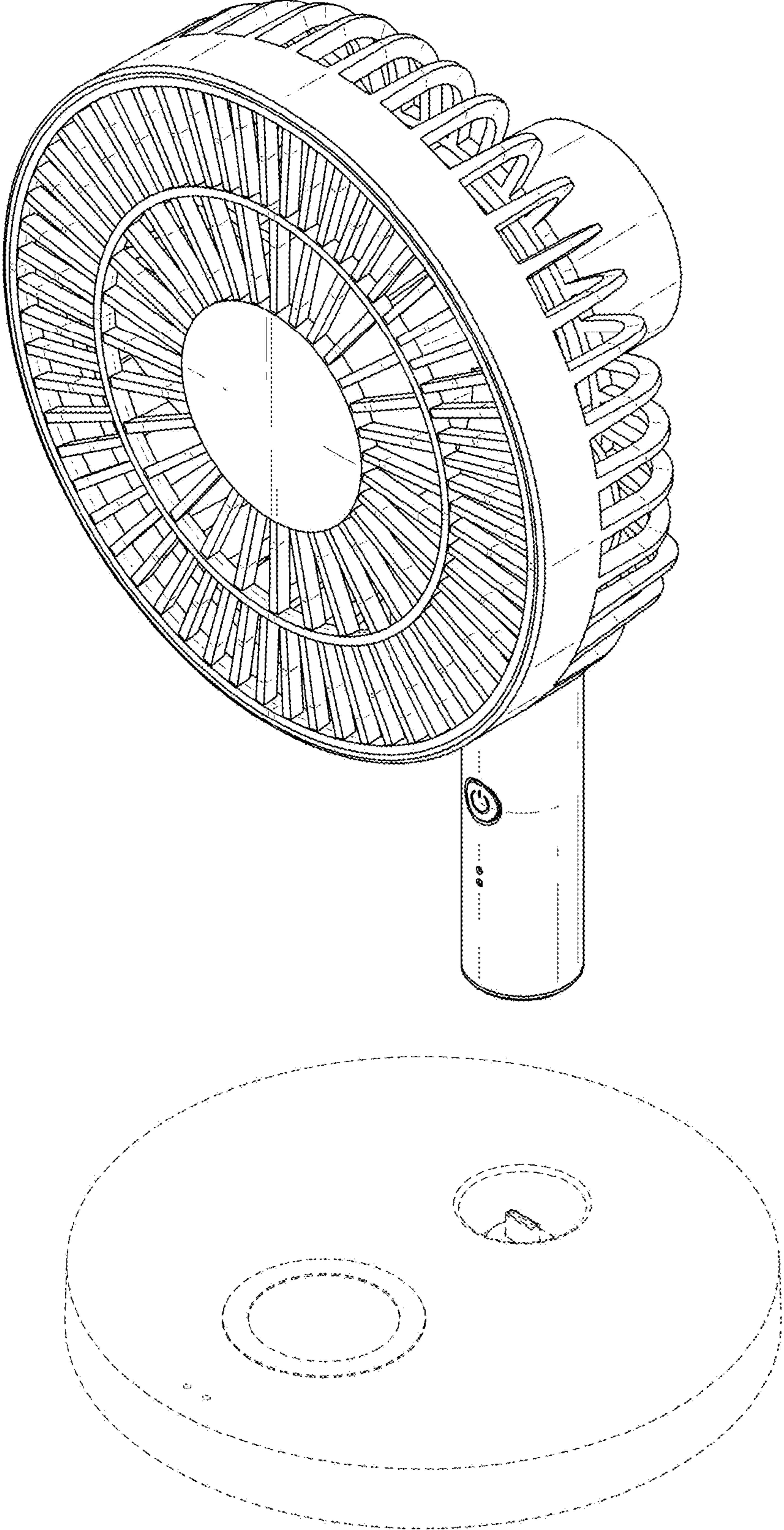


FIG. 9

