

US00D940293S

(12) **United States Design Patent** (10) **Patent No.:** **US D940,293 S**
Yao (45) **Date of Patent:** **** Jan. 4, 2022**

(54) **CEILING FAN**
(71) Applicant: **Kichler Lighting LLC**, Cleveland, OH (US)
(72) Inventor: **HsiangFang Yao**, Jiangmen (CN)
(73) Assignee: **Kichler Lighting LLC**, Cleveland, OH (US)
(**) Term: **15 Years**
(21) Appl. No.: **29/691,284**
(22) Filed: **May 15, 2019**
(51) **LOC (13) Cl.** **23-04**
(52) **U.S. Cl.**
USPC **D23/377**
(58) **Field of Classification Search**
USPC D23/370, 379, 385, 411, 413, 377;
D12/214, 339, 344; D26/59
CPC F04D 25/088; F04D 29/38; F04D 29/384;
F04D 29/386
See application file for complete search history.

(56) **References Cited**
U.S. PATENT DOCUMENTS
D519,625 S * 4/2006 Young D23/377
D671,203 S * 11/2012 Wang D23/377
D741,988 S * 10/2015 Pan D23/377
D797,638 S * 9/2017 Xiao D12/214
D798,433 S * 9/2017 Badarello D23/413
D872,251 S * 1/2020 Haggar D23/377
D873,986 S * 1/2020 Biancuzzo D23/377

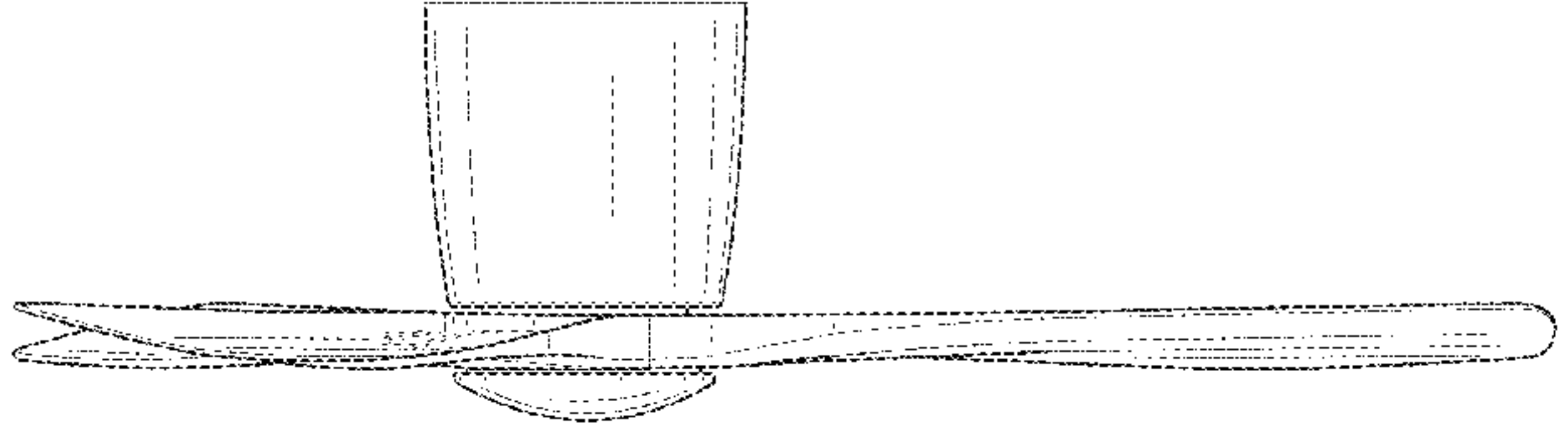
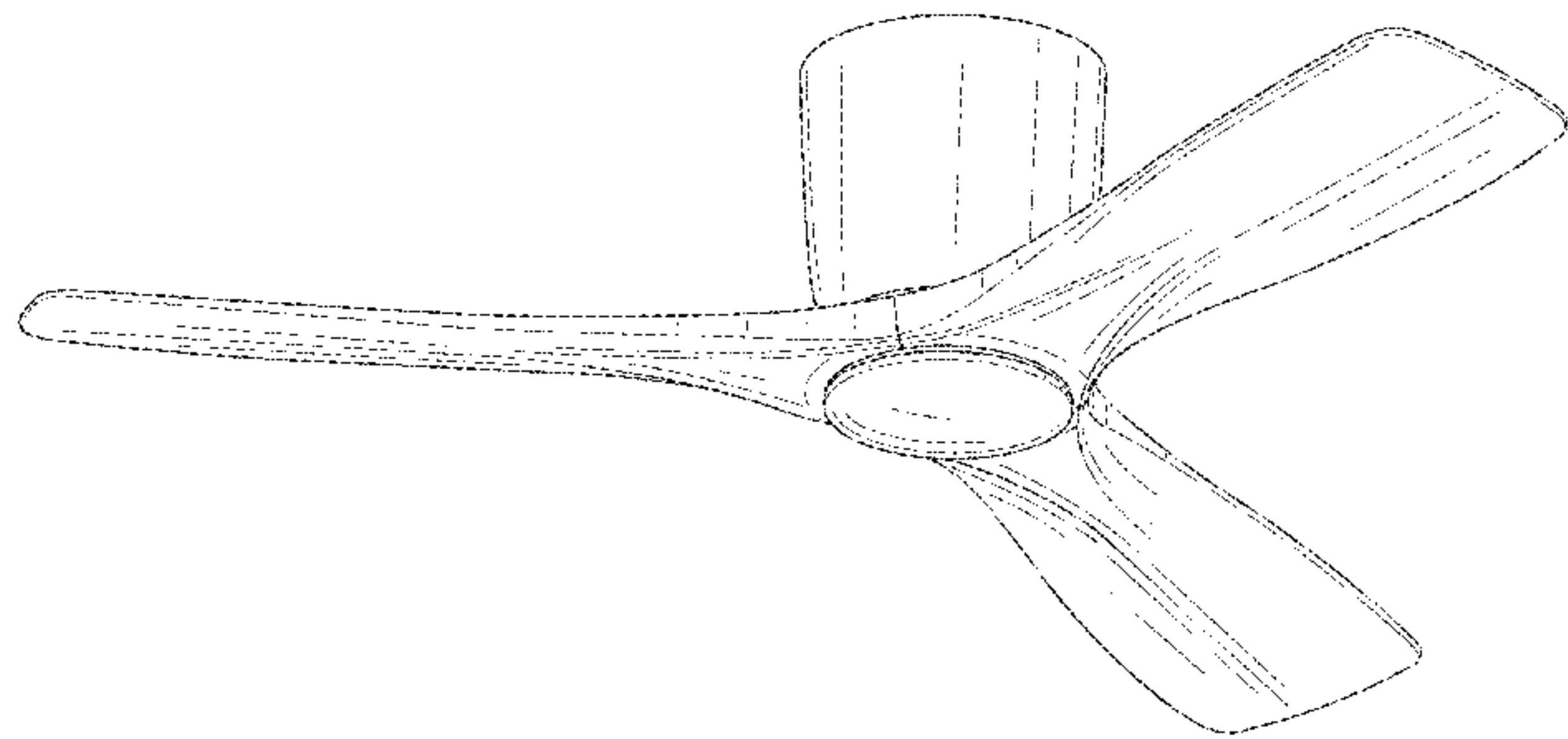
D890,909 S * 7/2020 Streng D23/377
D890,910 S * 7/2020 Haggar D23/377
D892,301 S * 8/2020 Haggar D23/413
D899,583 S * 10/2020 Haggar D23/413
2012/0313553 A1* 12/2012 Ko F21V 17/12
315/362

* cited by examiner
Primary Examiner — Sharon S Oum
(74) *Attorney, Agent, or Firm* — Brooks Kushman P.C.

(57) **CLAIM**
I claim the ornamental design for a ceiling fan, as shown and described.

DESCRIPTION
FIG. 1 is a bottom perspective view of a ceiling fan showing my new design.
FIG. 2 is a side elevation view thereof.
FIG. 3 is a bottom plan view thereof.
FIG. 4 is a top perspective view thereof.
FIG. 5 is another side elevation view thereof.
FIG. 6 is a top plan view thereof.
FIG. 7 is a top plan view of a fan blade of the ceiling fan of FIG. 1 shown separately for completeness of illustration; and,
FIG. 8 is a bottom plan view of a fan blade of the ceiling fan of FIG. 1 shown separately for completeness of illustration. The broken lines on the drawings depict portions of the ceiling fan that form no part of the claimed design.

1 Claim, 7 Drawing Sheets



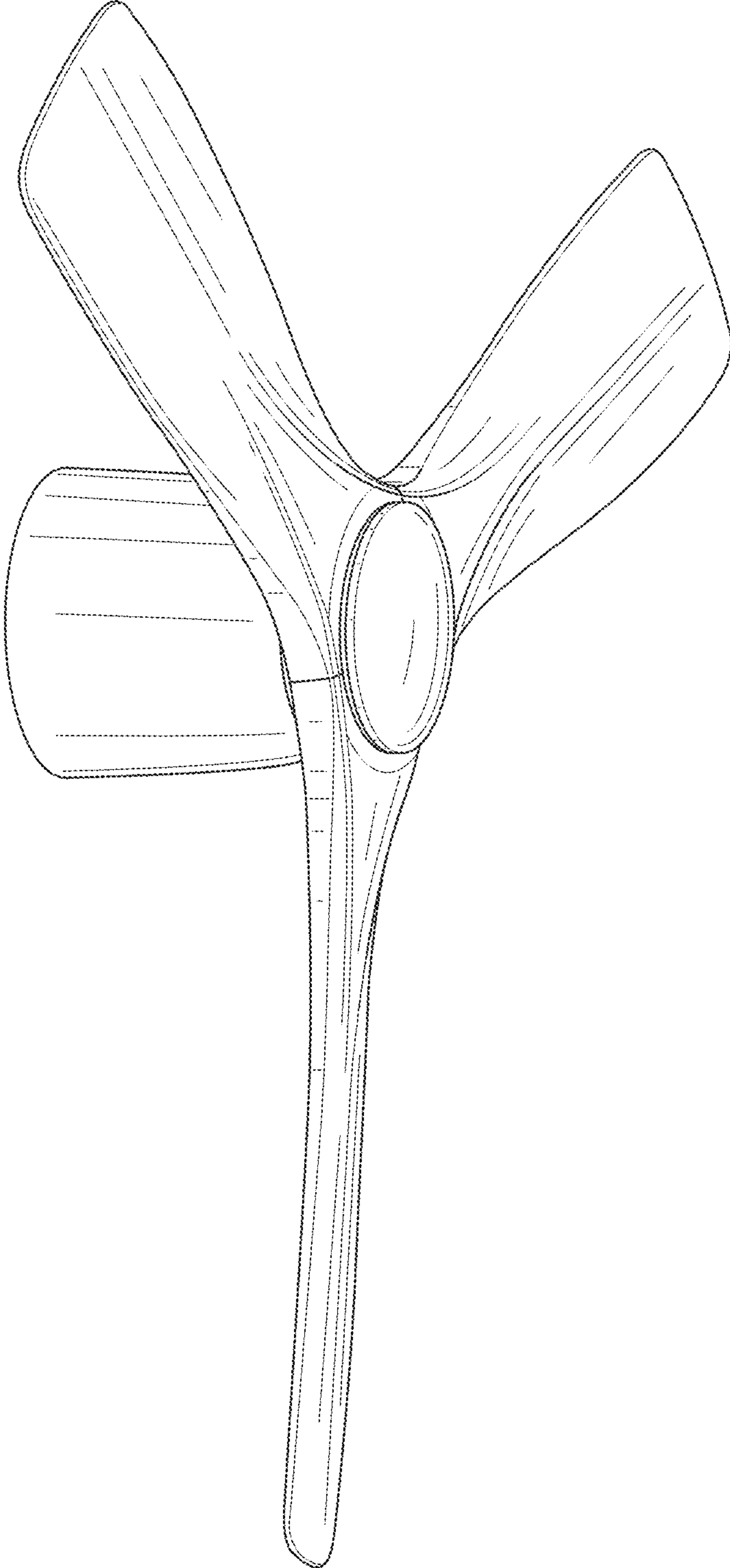


FIG. 1

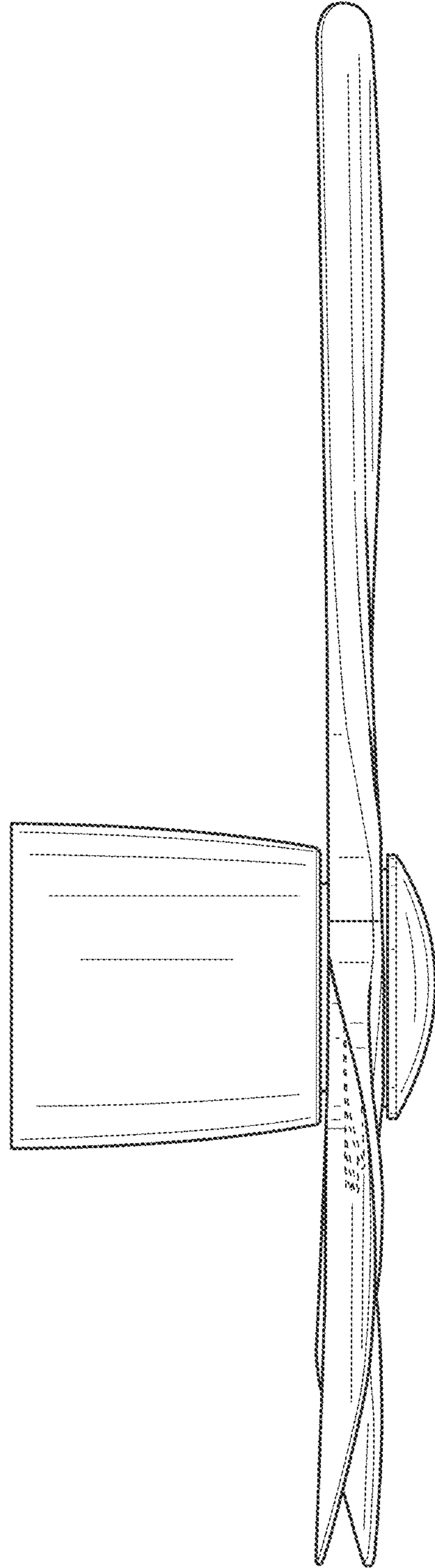


FIG. 2

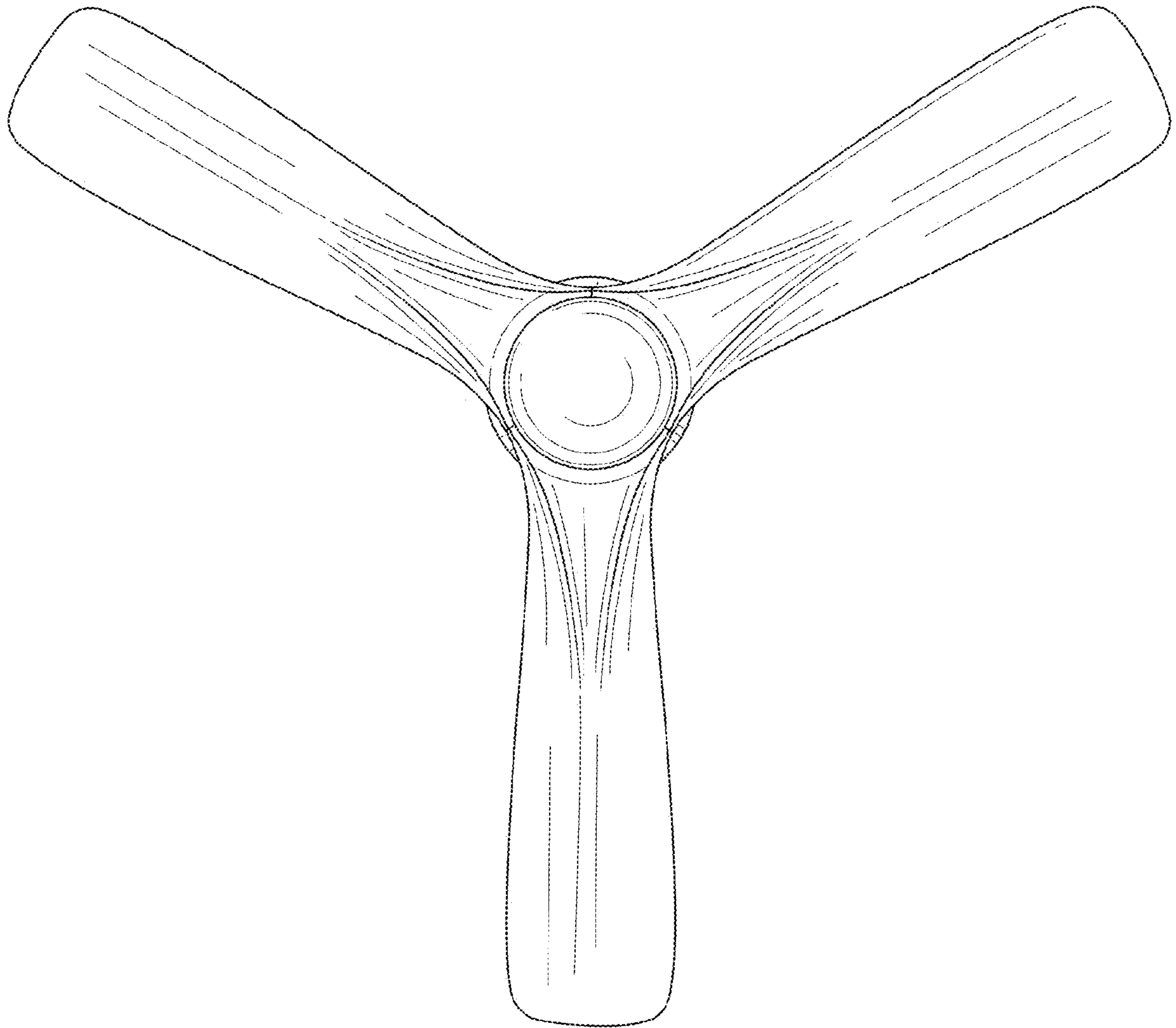


FIG. 3

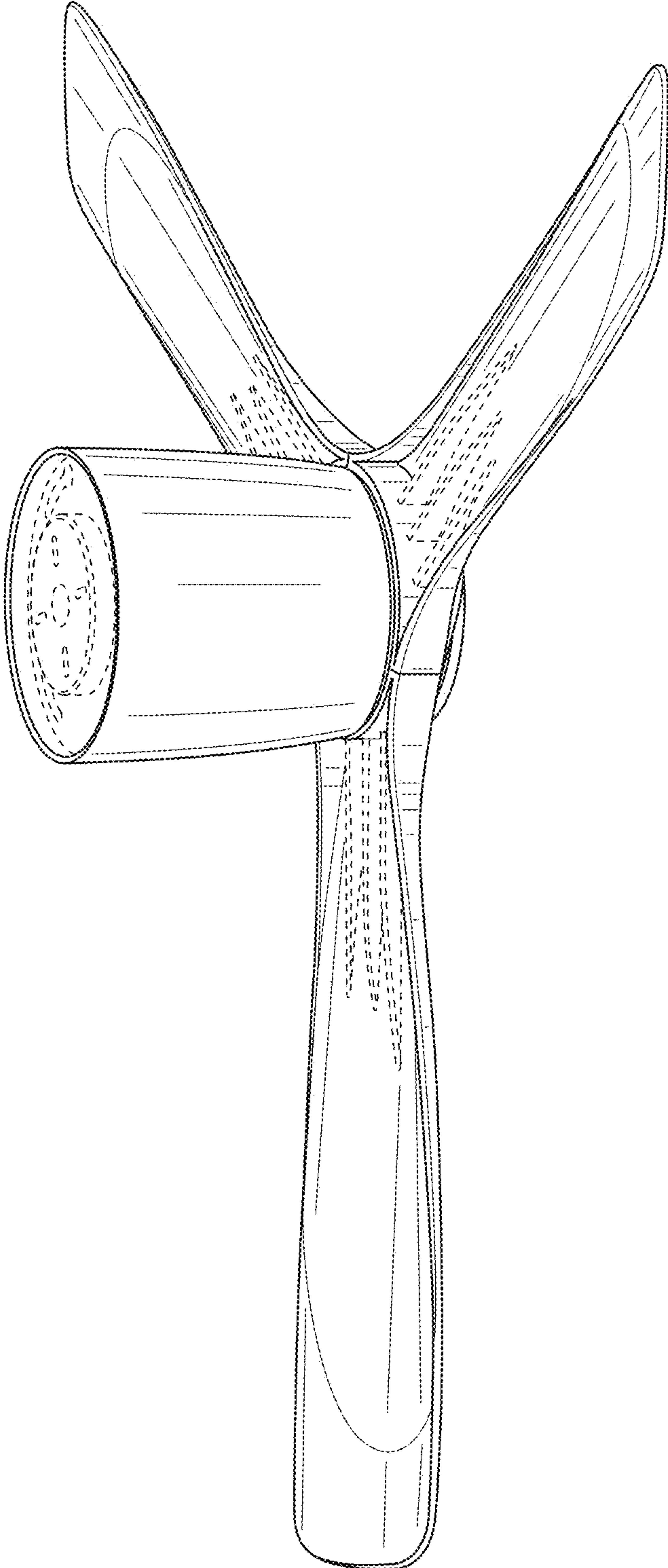


FIG. 4

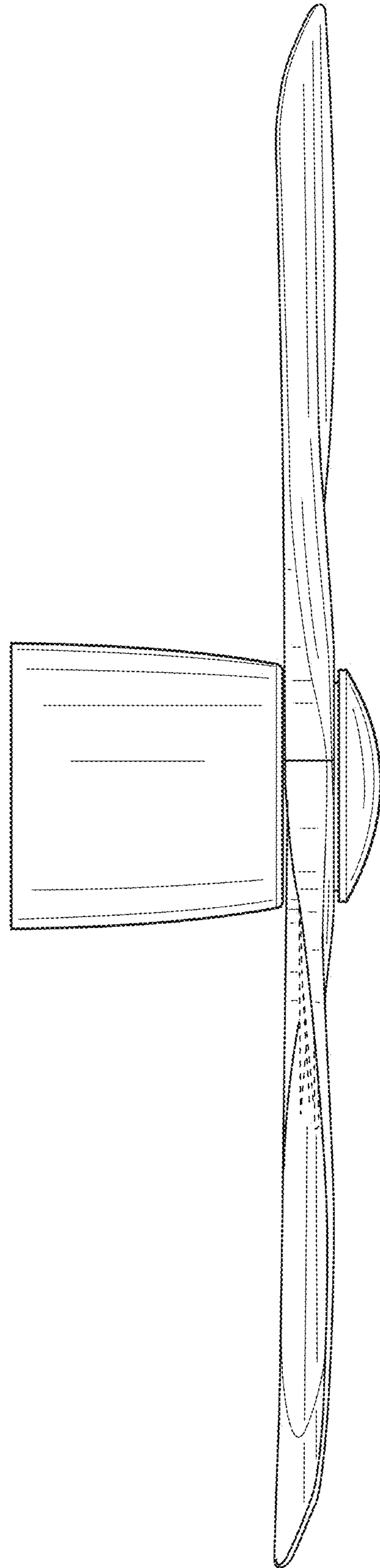


FIG. 5

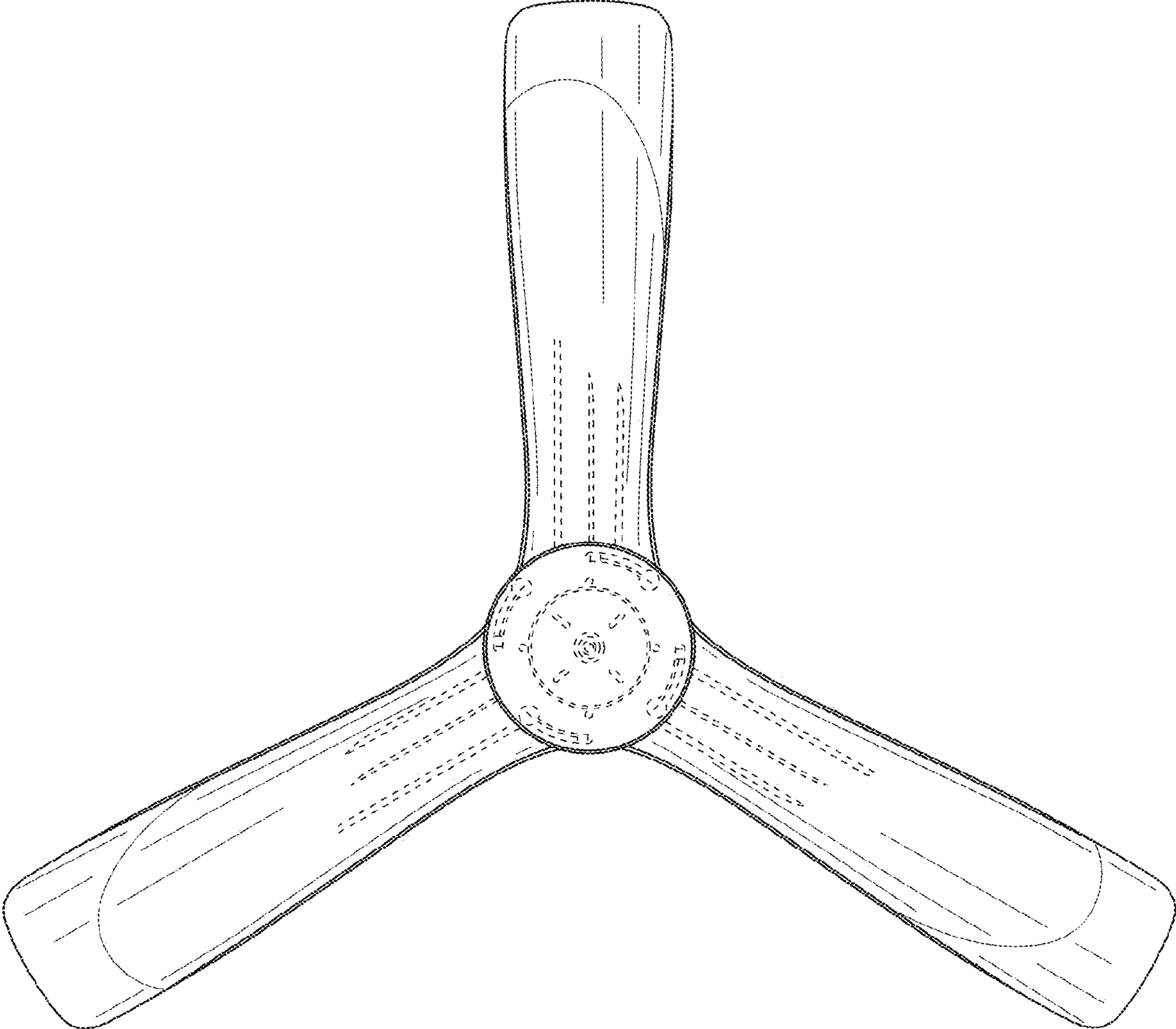


FIG. 6

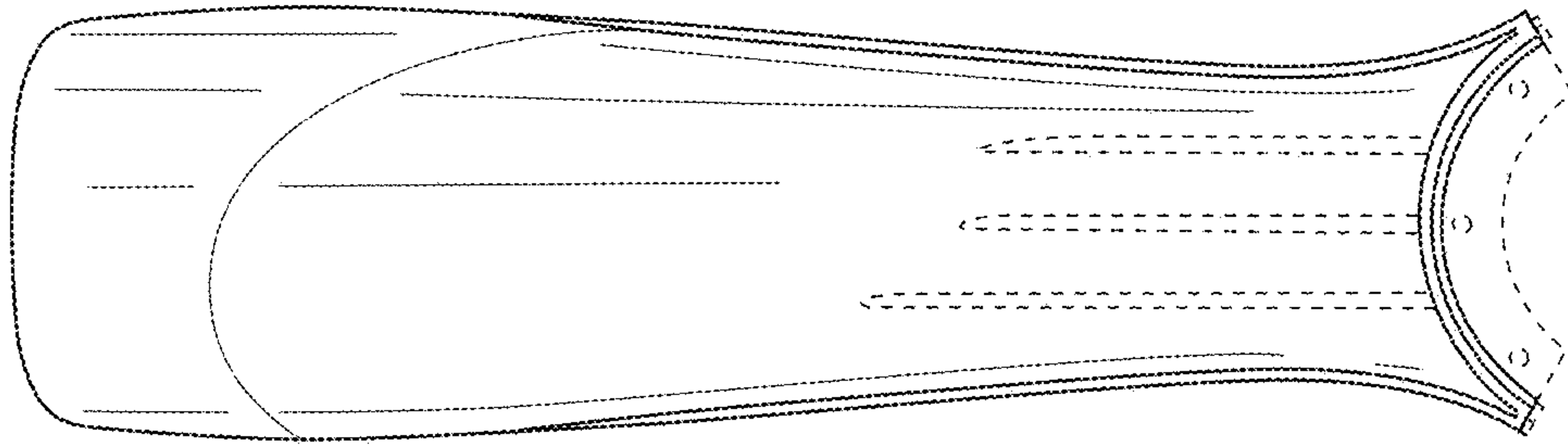


FIG. 7

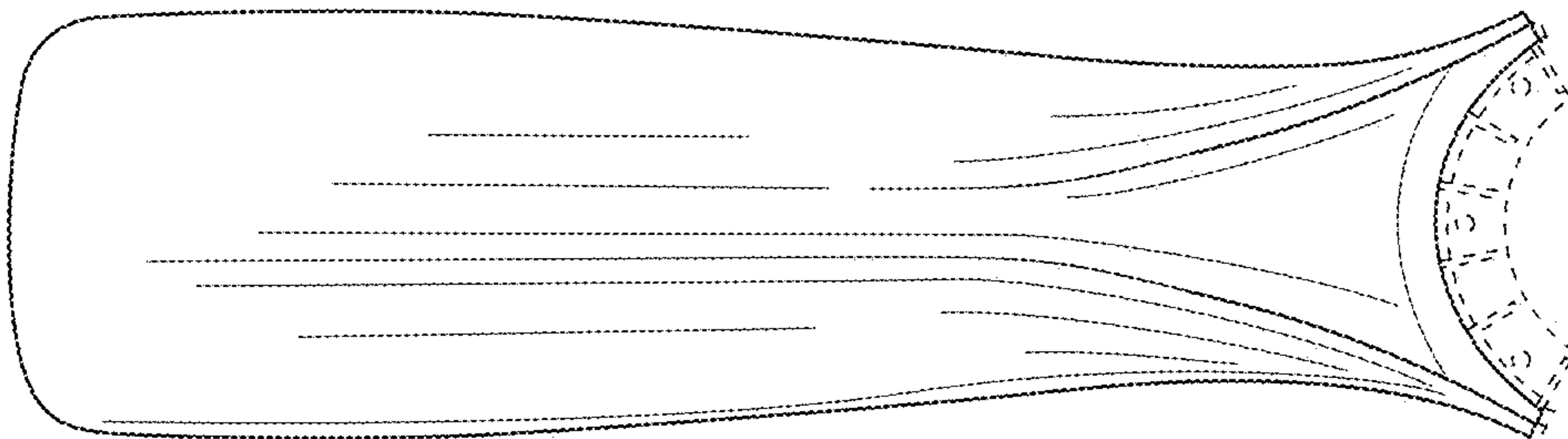


FIG. 8