



US00D940292S

(12) **United States Design Patent**  
**Wang**

(10) **Patent No.:** **US D940,292 S**  
(45) **Date of Patent:** **\*\* Jan. 4, 2022**

(54) **CAR AROMATHERAPY DIFFUSER**

(71) Applicant: **Wen Wang**, Jiangxi (CN)

(72) Inventor: **Wen Wang**, Jiangxi (CN)

(73) Assignee: **SHENZHEN CHANGLIN HOUSEWARE CO., LTD**, Shenzhen (CN)

(\*\*) Term: **15 Years**

(21) Appl. No.: **29/700,396**

(22) Filed: **Aug. 1, 2019**

(51) **LOC (13) Cl.** ..... **23-04**

(52) **U.S. Cl.**  
USPC ..... **D23/366**

(58) **Field of Classification Search**  
USPC ..... D23/209, 355, 356, 358, 359, 360, 364, D23/365, 366; D7/316, 505; D9/435, D9/444, 504, 519, 529, 686; D11/131.1; D28/89; D99/5  
CPC . A61L 9/03; A61L 9/012; A61L 9/015; A61L 9/037; F41J 1/01  
See application file for complete search history.

(56) **References Cited**

**U.S. PATENT DOCUMENTS**

D469,174 S *	1/2003	Majerowski	.....	D23/366
D595,829 S *	7/2009	Drucker	.....	D23/366
D597,192 S *	7/2009	Drucker	.....	D23/366
D648,016 S *	11/2011	Choi	.....	D23/364
D673,241 S *	12/2012	Choi	.....	D23/207

D713,517 S *	9/2014	Dodge	.....	D23/366
D840,013 S *	2/2019	Zhang	.....	D23/366
D852,318 S *	6/2019	Lin	.....	D23/207
D879,930 S *	3/2020	He	.....	D23/366
2008/0279731 A1*	11/2008	Goreham	.....	A61L 9/037 422/125
2014/0069957 A1*	3/2014	Baranowski	.....	A61L 9/12 222/183

\* cited by examiner

*Primary Examiner* — John A Voytek

(74) *Attorney, Agent, or Firm* — Justin Lampel

(57) **CLAIM**

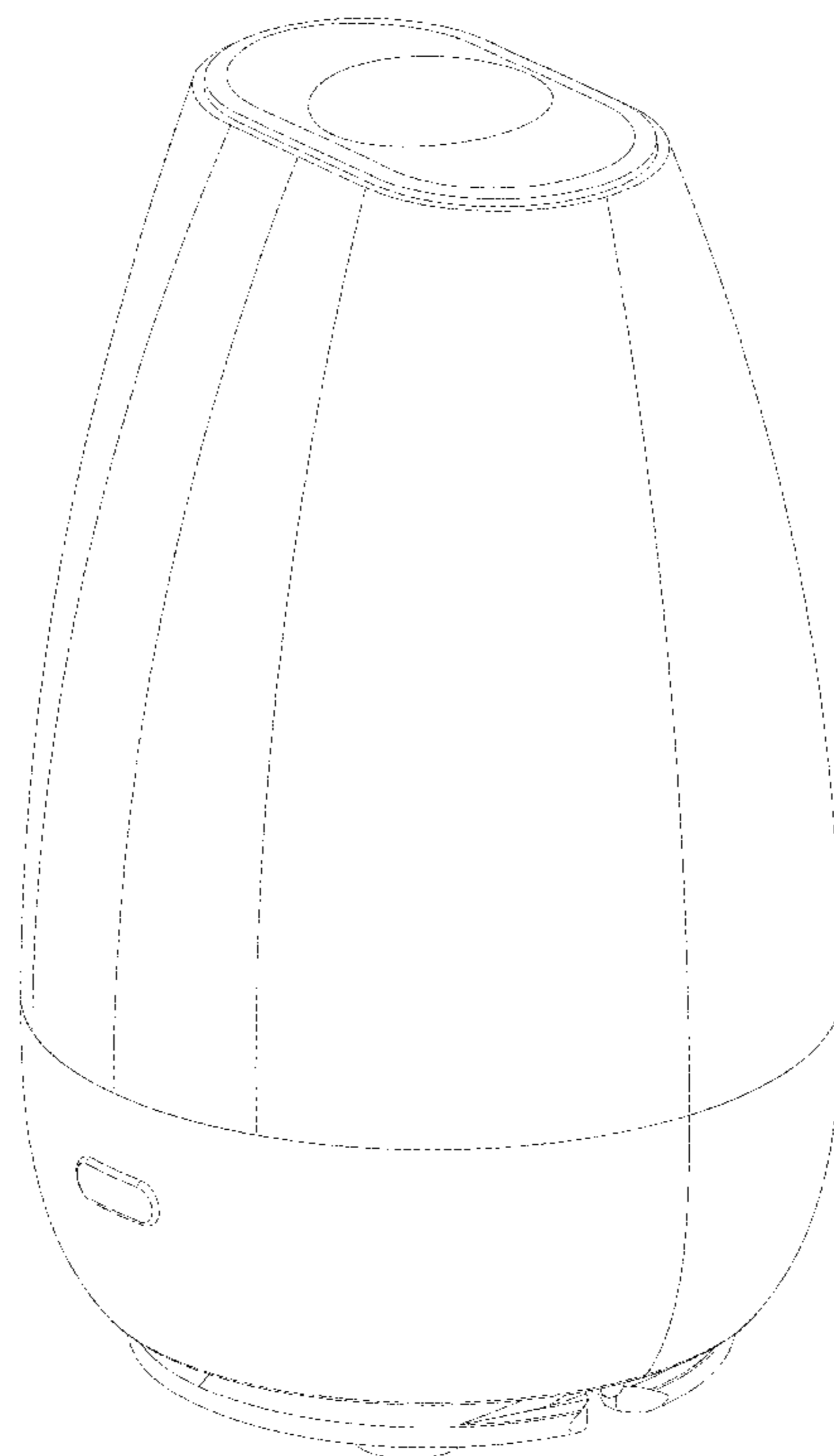
The ornamental design for a car aromatherapy diffuser, as shown and described.

**DESCRIPTION**

FIG. 1 is a top right perspective view of a car aromatherapy diffuser showing the claimed design;  
FIG. 2 is a bottom right perspective view thereof;  
FIG. 3 is a top plan view thereof;  
FIG. 4 is a rear elevational view thereof;  
FIG. 5 is a bottom plan view thereof;  
FIG. 6 is a right side view thereof;  
FIG. 7 is a front elevational view thereof; and  
FIG. 8 is a left side view thereof; and  
FIG. 9 is an enlarged detail view of the encircled region of FIG. 2.

The broken lines illustrate portions of the car aromatherapy diffuser that form no part of the claimed design.

**1 Claim, 9 Drawing Sheets**



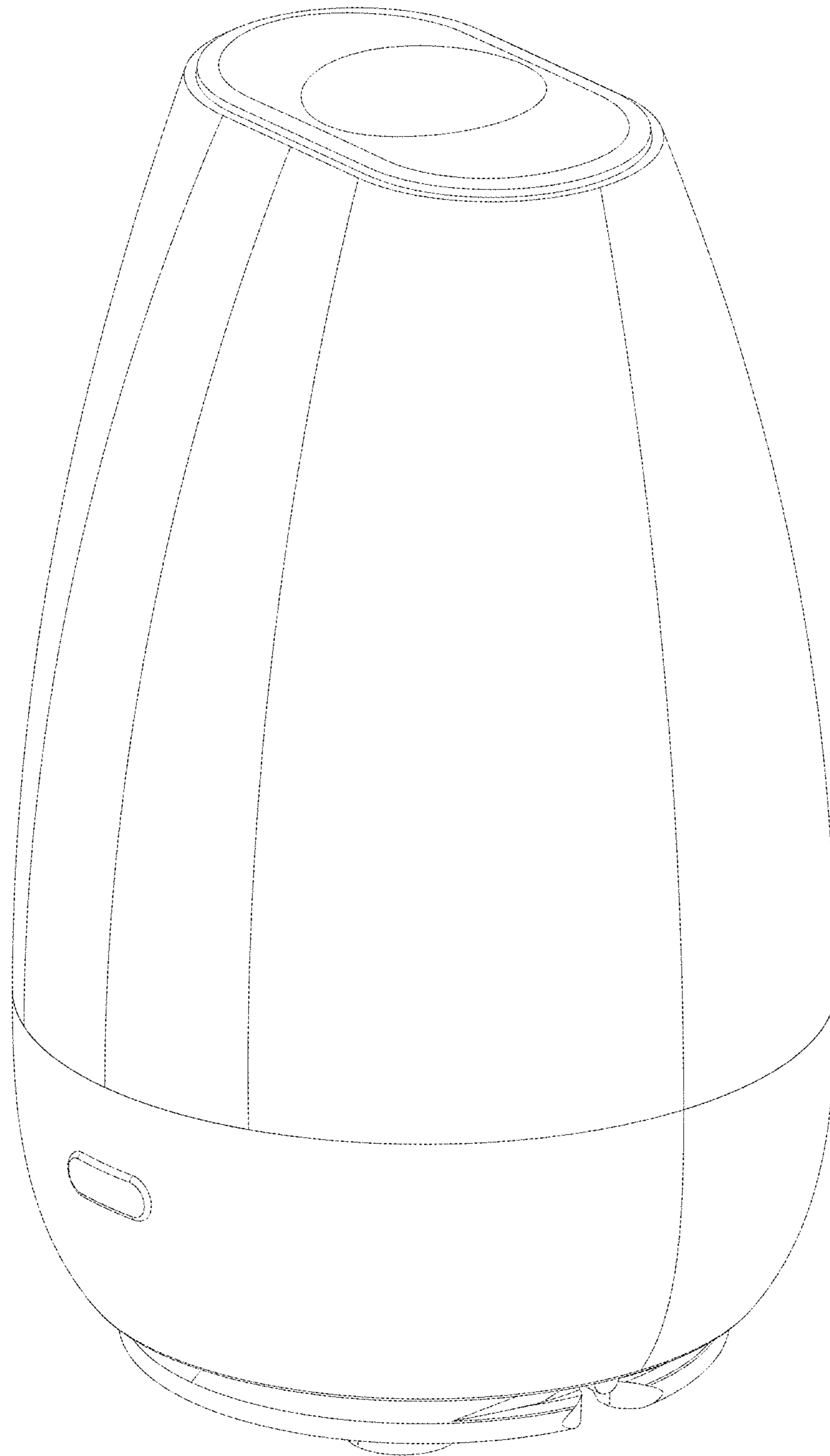


FIG.1

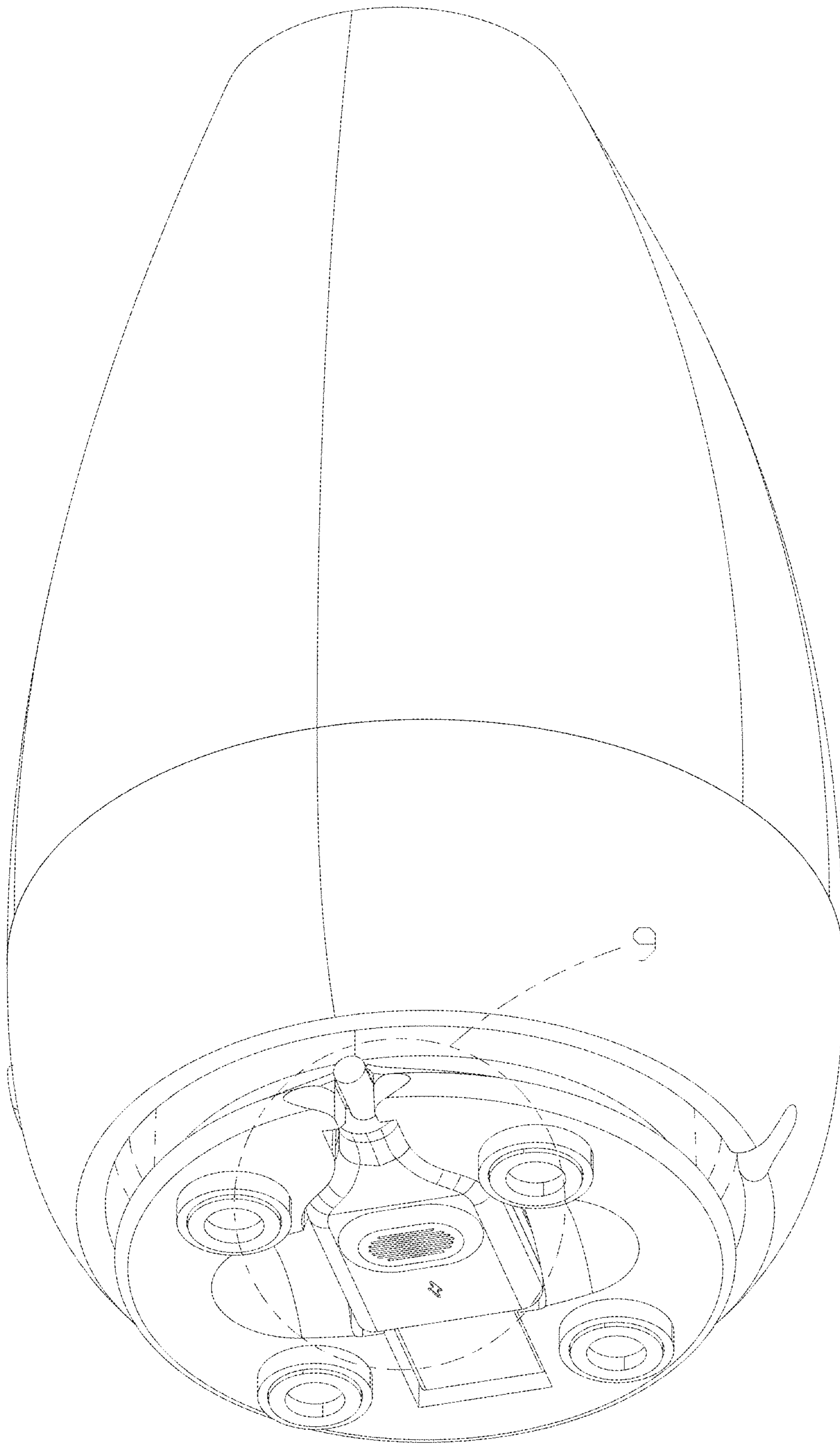


FIG.2

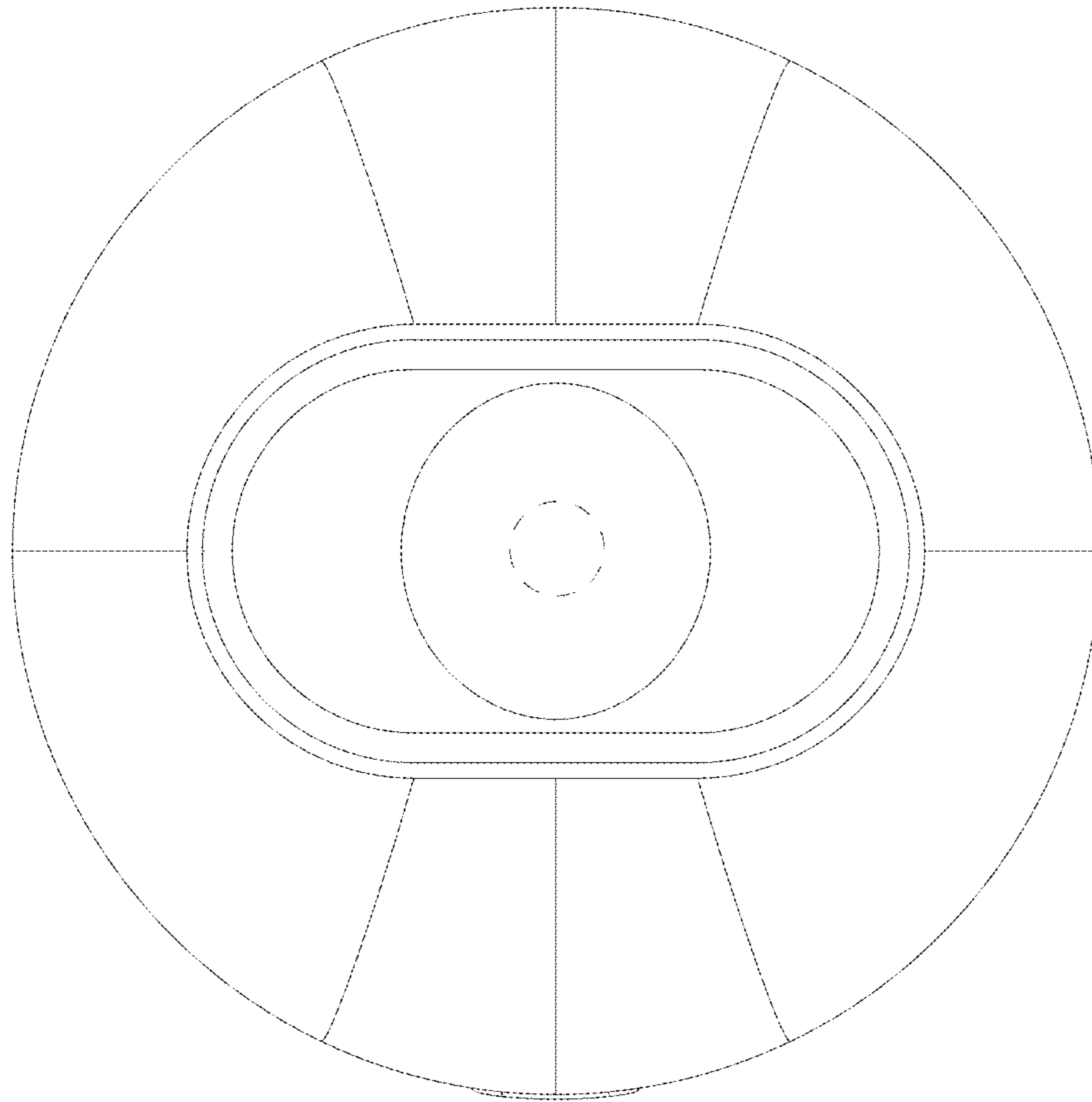


FIG.3

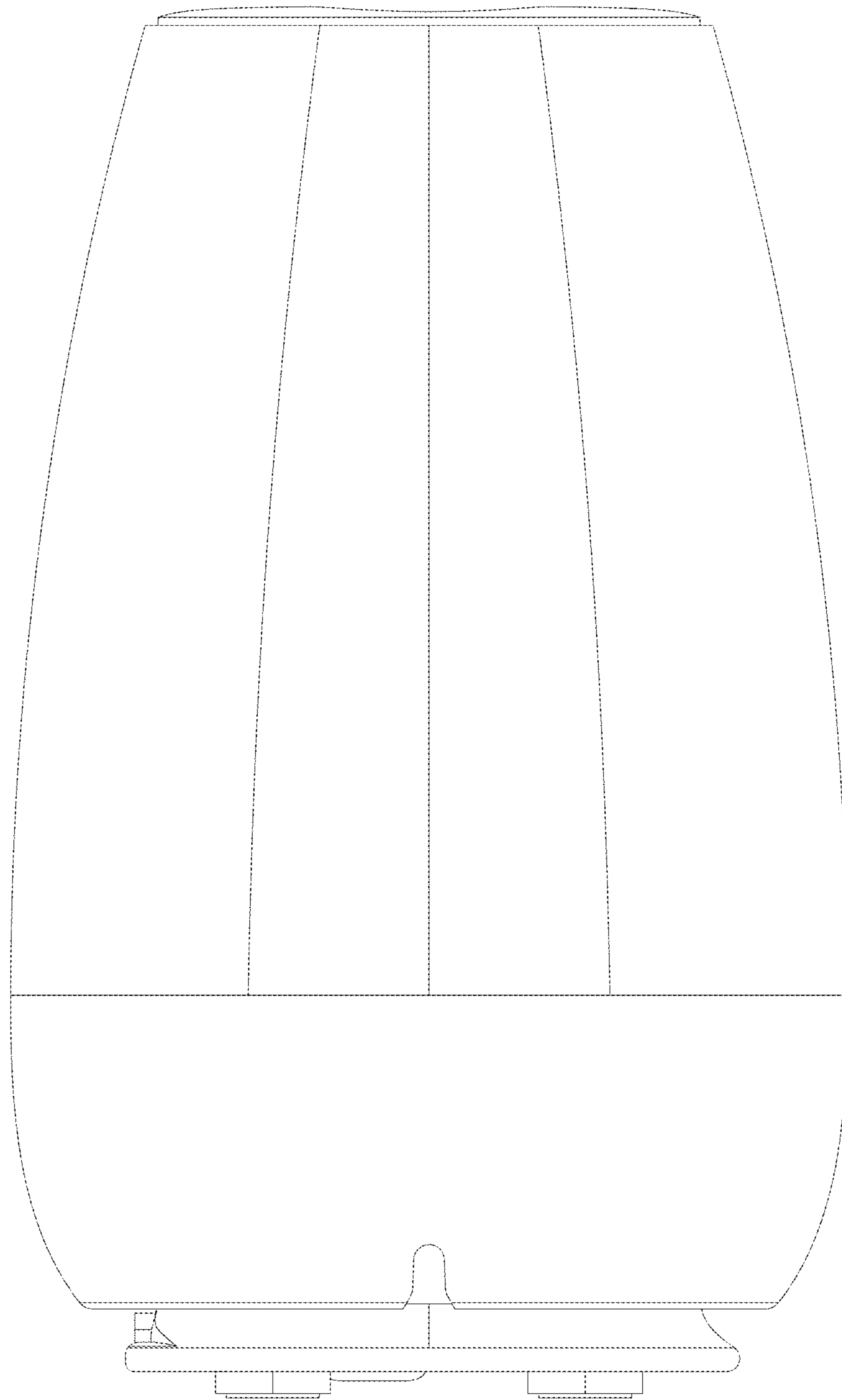


FIG. 4

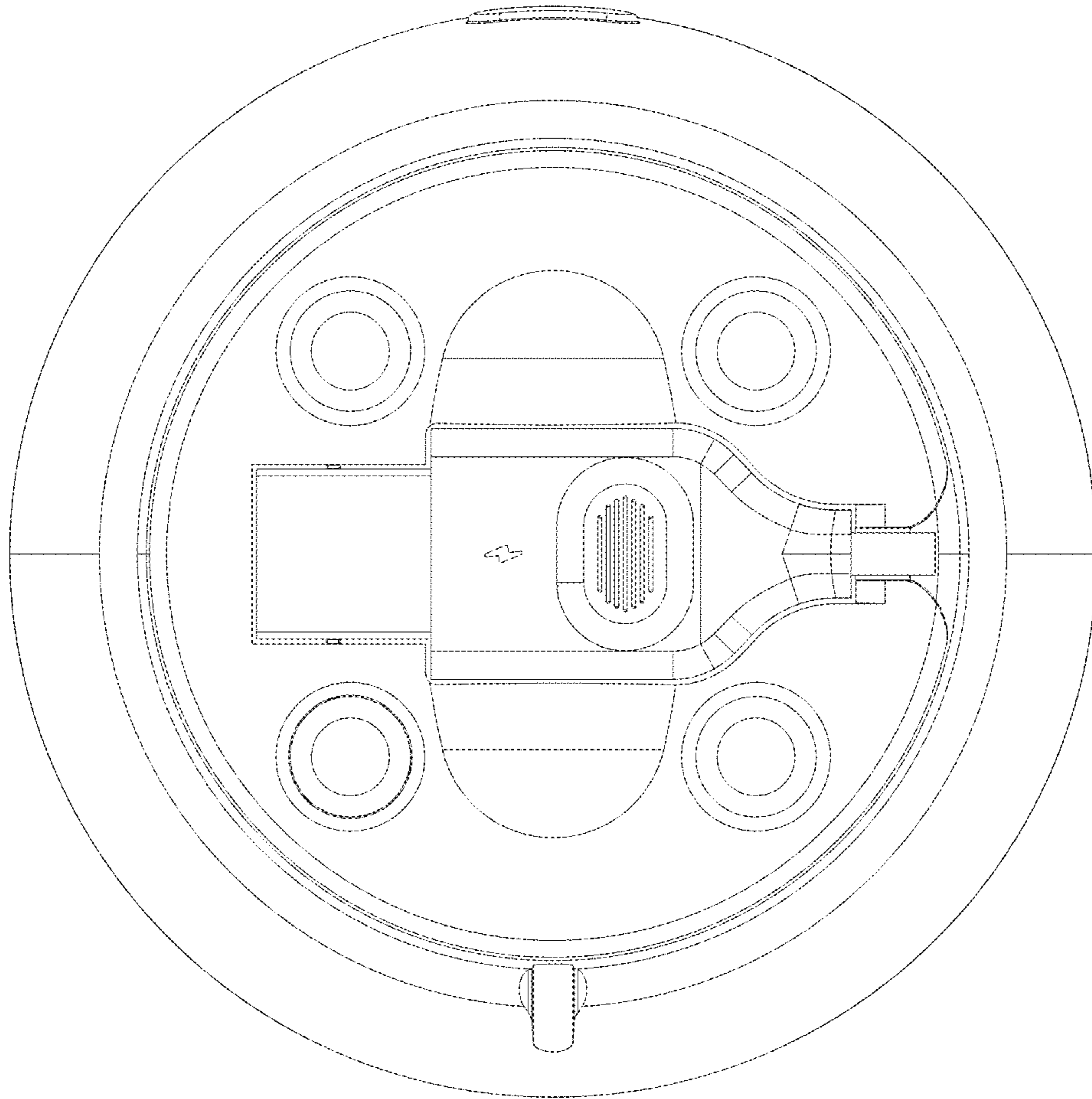


FIG.5

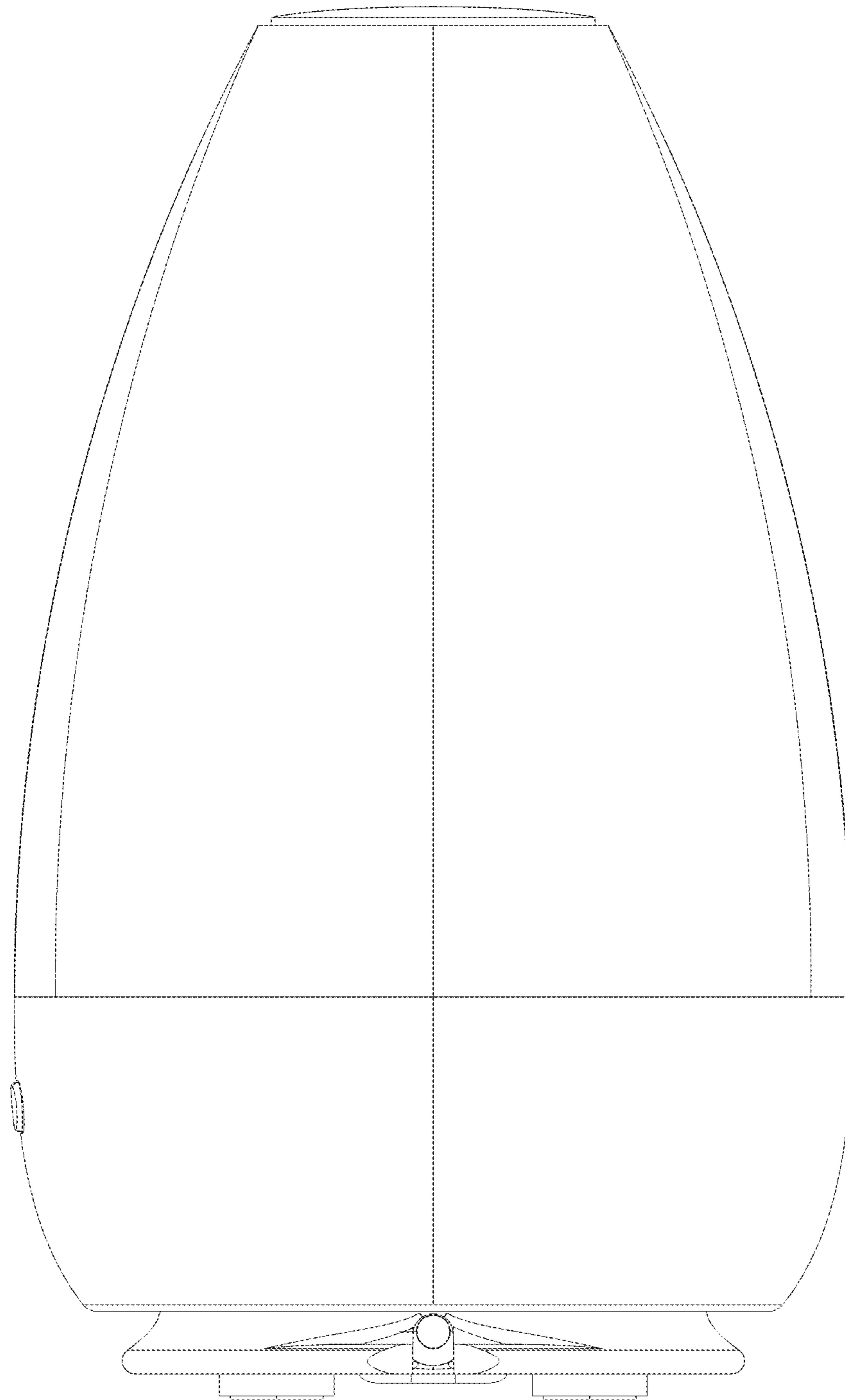


FIG.6

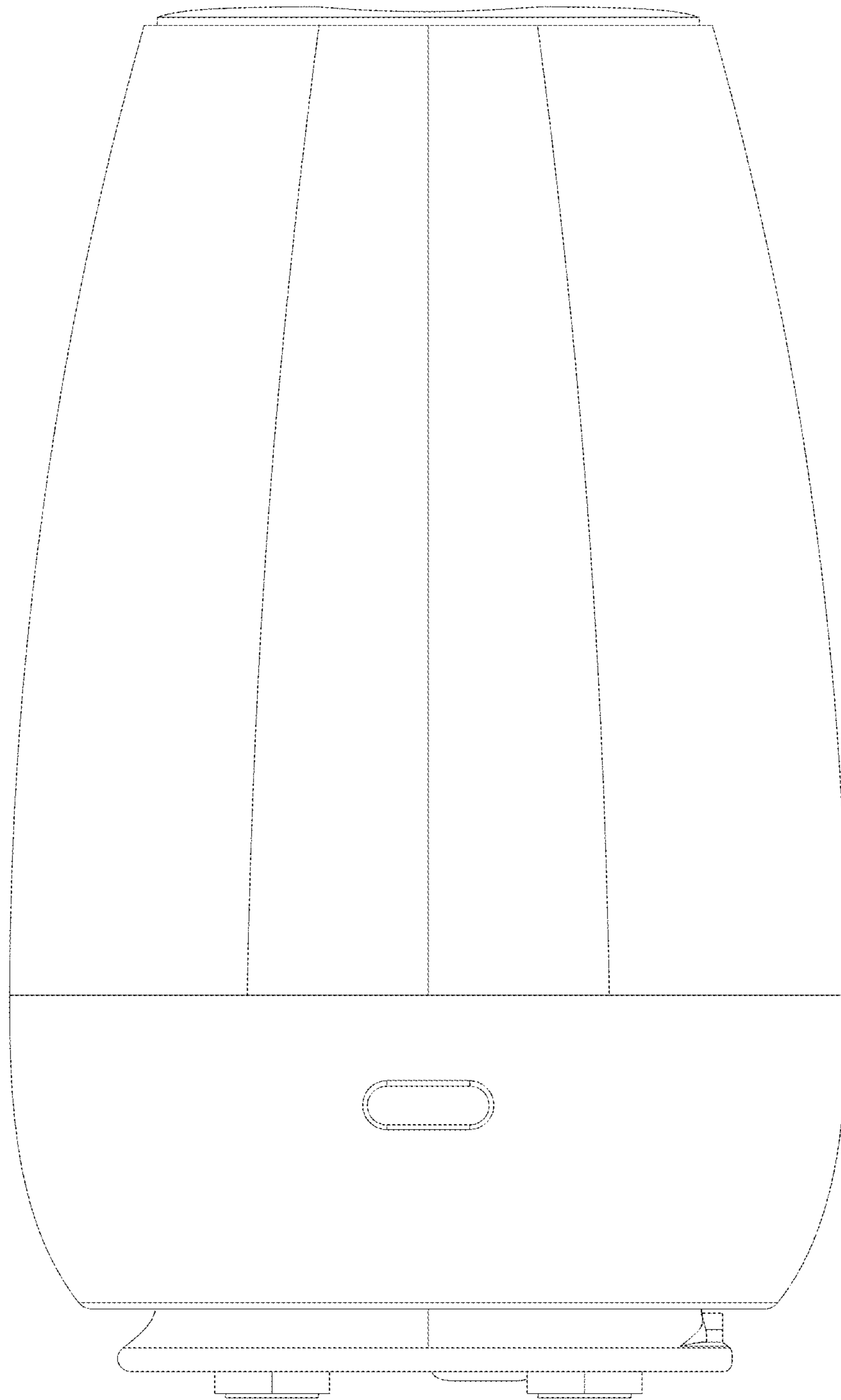


FIG. 7



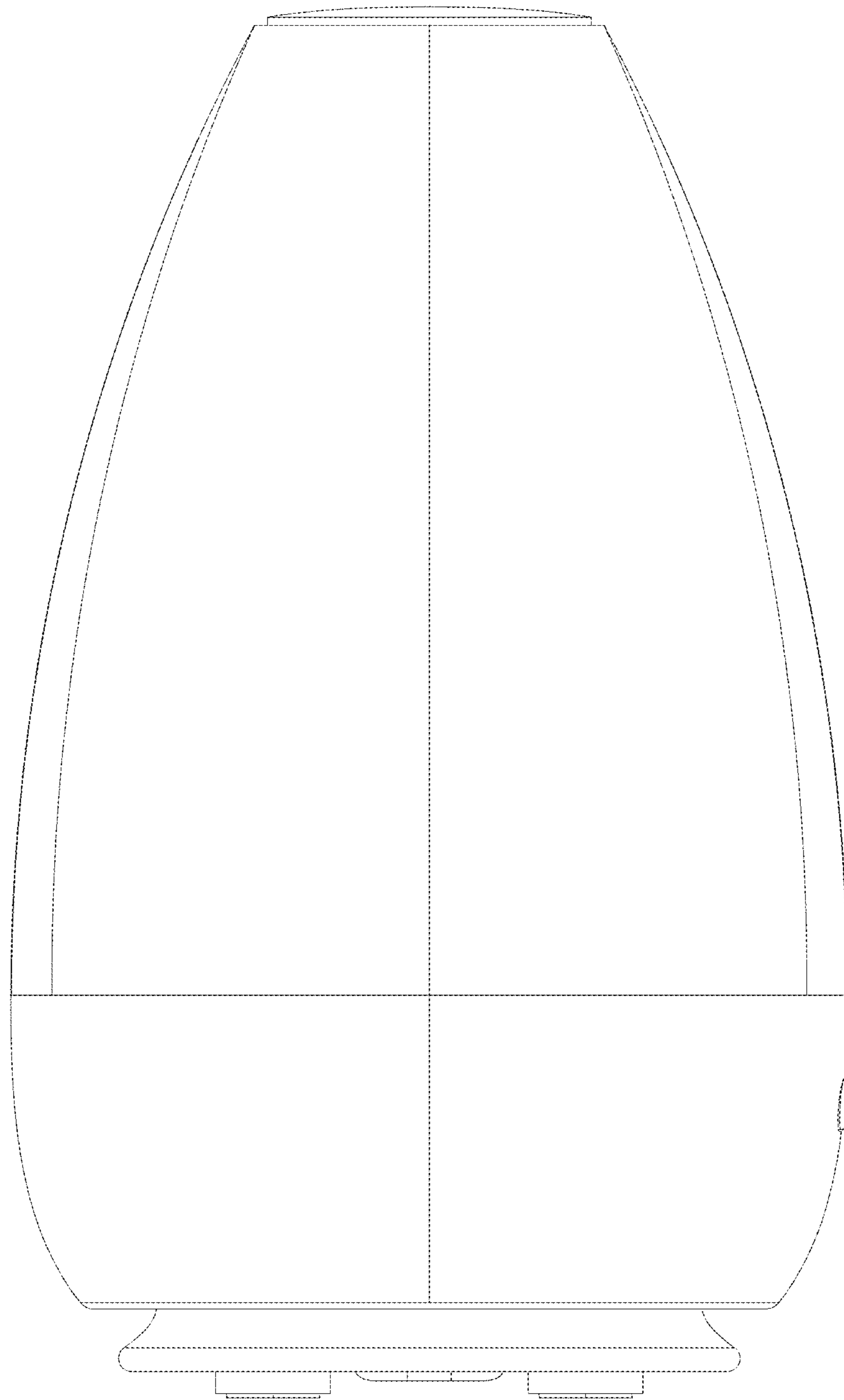


FIG.8

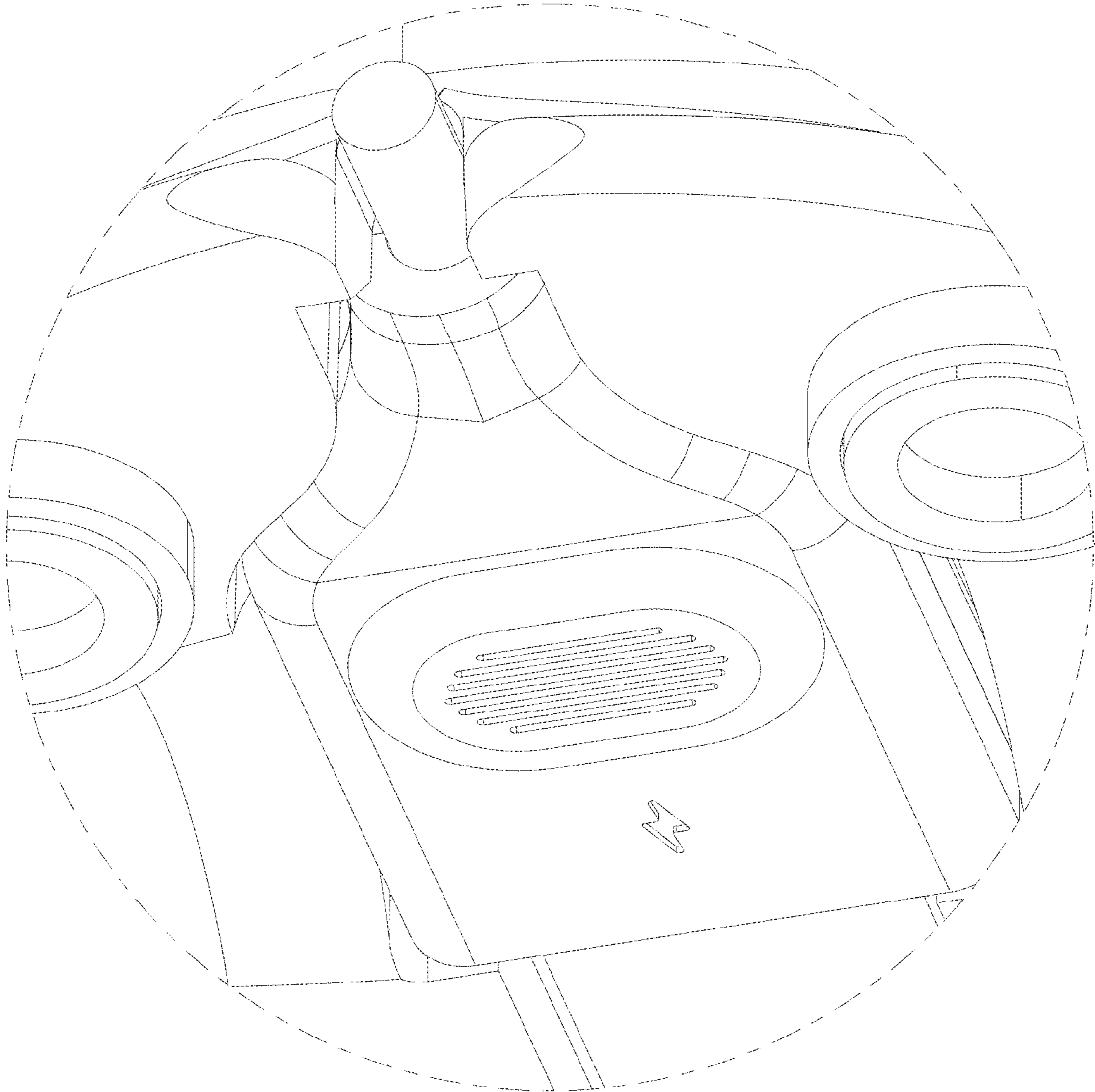


FIG. 9