



US00D940289S

(12) **United States Design Patent** (10) **Patent No.:** **US D940,289 S**
Hederstierna et al. (45) **Date of Patent:** **** Jan. 4, 2022**

(54) **MOBILE AIR CONDITIONER**

FOREIGN PATENT DOCUMENTS

(71) Applicant: **Dometic Sweden AB**, Solna (SE)

AU 201816419 1/2019
CA 2500519 C 9/2008

(72) Inventors: **Rickard Hederstierna**, Hägersten (SE);
Samuele Meda, Solna (SE)

(Continued)

(73) Assignee: **Dometic Sweden AB**, Solna (SE)

OTHER PUBLICATIONS

(**) Term: **15 Years**

International Search Report and Written Opinion received in PCT Application No. PCT/IB2020/052438 dated Oct. 7, 2020.

(21) Appl. No.: **29/645,887**

(Continued)

(22) Filed: **Apr. 30, 2018**

Primary Examiner — Natasha Vujcic

(51) **LOC (13) Cl.** **23-04**

(74) *Attorney, Agent, or Firm* — Middleton Reutlinger

(52) **U.S. Cl.**

(57) **CLAIM**

USPC **D23/351**

We claim, the ornamental design for a mobile air conditioner, as shown and described.

(58) **Field of Classification Search**

DESCRIPTION

USPC D23/333, 351–354, 388
CPC F24F 1/00; F24F 1/0007; F24F 1/02; F24F 1/08; F24F 1/42; F24F 1/56; F24F 1/60; F24F 3/044; F24F 3/048; F24F 3/16; G05D 23/1905; G05D 23/1932; G05D 23/1902; G05D 23/1931; G05B 19/0426; G05B 19/409; G05B 15/02

See application file for complete search history.

FIG. 1 is a first perspective view of a mobile air conditioner design;

FIG. 2 is a front view of the design of FIG. 1;

FIG. 3 is a rear view of the design of FIG. 1;

FIG. 4 is a top view of the design of FIG. 1;

FIG. 5 is a bottom view of the design of FIG. 1;

FIG. 6 is a first side of the design of FIG. 1;

FIG. 7 is a second side view of the design of FIG. 1;

FIG. 8 is a second perspective view of a mobile air conditioner design;

FIG. 9 is a front view of the design of FIG. 8;

FIG. 10 is a rear view of the design of FIG. 8;

FIG. 11 is a top view of the design of FIG. 8;

FIG. 12 is a bottom view of the design of FIG. 8;

FIG. 13 is a first side of the design of FIG. 8; and,

FIG. 14 is a second side view of the design of FIG. 8.

The broken lines in the drawings illustrate portions of the mobile air conditioner which form no part of the claimed design.

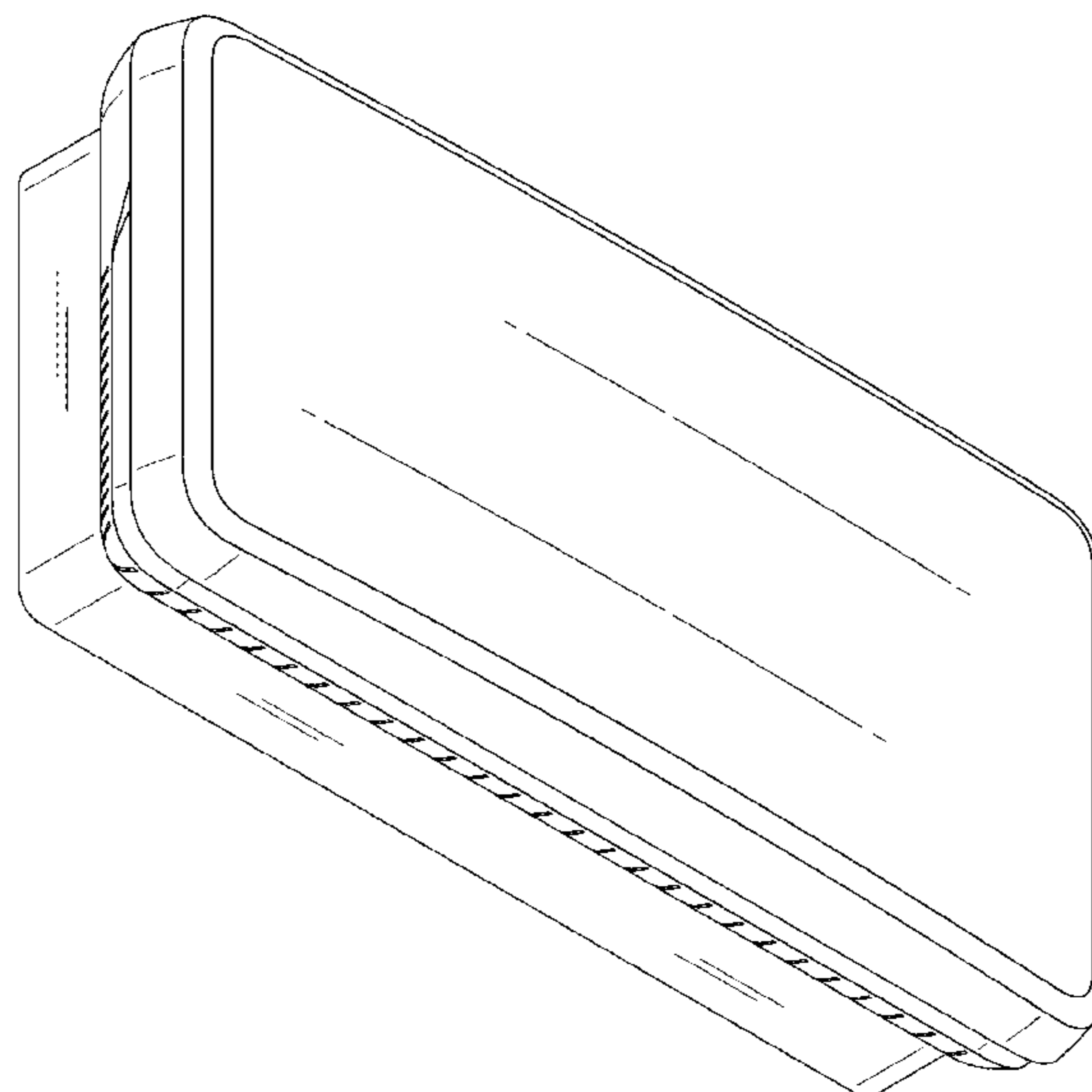
(56) **References Cited**

U.S. PATENT DOCUMENTS

2,870,614 A 1/1959 Renner et al.
2,977,043 A 3/1961 Scheldorf
3,220,212 A 11/1965 Fordsmand
3,246,836 A 4/1966 Ayling
3,292,884 A 12/1966 Scheldorf
3,300,125 A 1/1967 Winkler
3,493,168 A 2/1970 Valbjorn
3,672,349 A 6/1972 Derringer
3,685,577 A 8/1972 Goodgion et al.
D226,381 S 2/1973 Harty, Jr.
3,719,058 A 3/1973 Waygood
3,727,537 A 4/1973 Harty, Jr.

(Continued)

1 Claim, 14 Drawing Sheets



(56)

References Cited

U.S. PATENT DOCUMENTS

3,777,506 A 12/1973 Hergatt et al.
 3,836,290 A 9/1974 Carter
 3,855,814 A 12/1974 Eubank
 3,865,182 A 2/1975 Blossom
 3,896,634 A 7/1975 Nagele et al.
 3,906,740 A 9/1975 Thomas
 3,973,939 A 8/1976 Abbott
 3,984,224 A 10/1976 Dawkins
 3,996,762 A 12/1976 Calme et al.
 4,143,902 A 3/1979 Johnstone
 4,192,542 A 3/1980 Hill
 4,213,309 A 7/1980 Pifer
 4,217,764 A 8/1980 Armbruster
 4,567,734 A 2/1986 Dankowski
 D284,025 S 5/1986 Armstrong
 4,622,831 A 11/1986 Grupa
 4,628,702 A 12/1986 Boxum
 4,641,502 A 2/1987 Aldrich et al.
 4,674,294 A 6/1987 Agaro
 4,699,207 A 10/1987 Hanemaayer
 4,748,825 A 6/1988 King
 4,784,214 A 11/1988 Penson
 4,787,210 A 11/1988 Brown
 4,788,487 A 11/1988 Picklesimer
 4,888,959 A 12/1989 Brown
 D306,341 S 2/1990 Bales et al.
 4,926,655 A 5/1990 King
 4,947,657 A 8/1990 Kalmbach
 5,001,905 A 3/1991 Miyazaki
 5,046,327 A 9/1991 Walker et al.
 5,123,258 A 6/1992 Brown et al.
 5,205,130 A 4/1993 Pannell
 5,265,668 A 11/1993 Fisher
 5,307,645 A 5/1994 Pannell
 5,531,641 A 7/1996 Aldrich
 5,533,357 A 7/1996 Voorhis
 5,588,301 A 12/1996 Deroche, Sr.
 5,878,592 A 3/1999 Borges et al.
 5,927,090 A 7/1999 Ladendorf et al.
 6,029,464 A 2/2000 Kil et al.
 6,076,363 A 6/2000 Morton
 6,116,037 A 9/2000 Burnett
 6,134,909 A 10/2000 Lyu
 6,149,513 A 11/2000 Lyu
 6,161,609 A 12/2000 Ahn
 6,196,914 B1 3/2001 Lyu
 6,257,013 B1 7/2001 Murray
 6,276,166 B1 8/2001 Sarkisian et al.
 6,282,919 B1 9/2001 Rockenfeller et al.
 6,302,780 B1 10/2001 Ahn et al.
 6,357,248 B1 3/2002 Bongaards et al.
 6,357,249 B1 3/2002 Robinson et al.
 6,494,052 B1 12/2002 Lee
 6,536,222 B1 3/2003 Ahn et al.
 D502,255 S * 2/2005 Kim D23/351
 6,925,826 B2 8/2005 Hille et al.
 6,971,246 B2 12/2005 Kurata et al.
 7,047,760 B1 5/2006 Holman, Jr.
 7,059,137 B2 6/2006 Childress
 7,140,192 B2 11/2006 Allen et al.
 7,171,822 B2 2/2007 Allen et al.
 7,181,918 B2 2/2007 Reinders
 7,234,315 B2 6/2007 Allen et al.
 7,237,397 B2 7/2007 Allen
 D558,865 S * 1/2008 Yoo D23/351
 7,316,119 B2 1/2008 Allen
 D619,236 S * 7/2010 Schlag D23/351
 D636,474 S * 4/2011 Choi D23/351
 8,141,377 B2 3/2012 Connell et al.
 D657,032 S * 4/2012 Chouji D23/351
 D657,033 S * 4/2012 Chouji D23/351
 D657,036 S * 4/2012 Vetu D23/364
 D657,857 S * 4/2012 Choi D23/364
 D661,386 S 6/2012 Bergin
 8,424,776 B2 4/2013 Veettil et al.

8,535,127 B2 9/2013 Malott
 8,568,209 B2 10/2013 Boxum
 D693,798 S * 11/2013 Chuang D14/240
 D709,604 S * 7/2014 Qin D23/351
 D712,531 S 9/2014 Bergin
 D715,907 S 10/2014 Bergin
 8,869,547 B2 10/2014 Nishino et al.
 D716,925 S 11/2014 Bergin
 8,899,059 B2 12/2014 Barnes et al.
 D726,295 S * 4/2015 Kim D23/351
 D754,319 S * 4/2016 Park D23/385
 9,302,605 B1 4/2016 Van Pelt
 9,493,054 B2 11/2016 Lewis et al.
 9,631,832 B2 4/2017 Malott
 D785,771 S 5/2017 Bergin
 D785,772 S 5/2017 Bergin
 D811,566 S 2/2018 Liu et al.
 D812,208 S * 3/2018 Samuels D23/351
 D817,466 S 5/2018 Moseley
 9,975,405 B2 5/2018 Siddiqui et al.
 D824,387 S * 7/2018 Oberpriller D14/433
 D824,499 S 7/2018 Williamson et al.
 D824,501 S * 7/2018 Long D23/351
 D841,138 S 2/2019 Williamson et al.
 D852,343 S * 6/2019 Kosuge D23/351
 D885,541 S * 5/2020 Schumann D23/342
 D903,075 S * 11/2020 Huang D23/354
 D905,217 S * 12/2020 Hederstierna D23/354
 2004/0040325 A1 3/2004 Evans
 2005/0127697 A1 6/2005 Berry
 2006/0052050 A1 3/2006 Malott et al.
 2006/0022904 A1 10/2006 Hofer et al.
 2007/0151273 A1 7/2007 Nelson et al.
 2007/0227693 A1 10/2007 Allen et al.
 2007/0289325 A1 12/2007 Stone
 2007/0295017 A1 12/2007 Pannell
 2008/0014854 A1 1/2008 Tigner
 2008/0110185 A1 5/2008 Veettil et al.
 2008/0314072 A1 12/2008 Plank et al.
 2009/0038774 A1 2/2009 Ogiso et al.
 2009/0209193 A1 8/2009 Kloster et al.
 2011/0030399 A1 2/2011 Lifson et al.
 2011/0061414 A1 3/2011 McAllister, II et al.
 2013/0340982 A1 12/2013 Johnson et al.
 2015/0360568 A1 12/2015 Champagne et al.
 2016/0288618 A1 10/2016 Katoh et al.
 2016/0311288 A1 10/2016 Mayo Mayo et al.
 2016/0311291 A1 10/2016 Shimoyama et al.
 2016/0318368 A1 11/2016 Alger et al.
 2017/0203632 A1 7/2017 Westendarp et al.
 2019/0047354 A1 2/2019 Williamson et al.

FOREIGN PATENT DOCUMENTS

CN 1436677 A 8/2003
 CN 101509717 8/2009
 CN 201392053 1/2010
 CN 203623791 6/2014
 CN 104044432 9/2014
 CN 203920328 11/2014
 CN 104325923 A 2/2015
 DE 2723318 12/1978
 DE 202007003764 U1 5/2007
 DE 102007038443 A1 2/2009
 DE 202009003069 U1 6/2009
 DE 102011053341 B4 5/2014
 EM 005811890-0001 10/2018
 EM 005811890-0002 10/2018
 EM 005811890-0003 10/2018
 EM 005811890-0004 10/2018
 EP 1140533 B1 1/2003
 EP 1502785 A1 2/2005
 EP 1468852 B1 12/2005
 EP 921361 2/2006
 EP 1526974 1/2009
 EP 2048011 A1 4/2009
 ES 1056812 U 5/2004
 ES 1056841 U 5/2004
 ES 1059964 U 7/2005

(56)

References Cited

FOREIGN PATENT DOCUMENTS

ES	1059965	U	7/2005
FR	2726352		5/1996
GB	765498		1/1957
GB	1127586		9/1968
GB	2349687		11/2000
JP	S594307	U	1/1984
KR	2000034096		6/2000
KR	2000034097		6/2000
KR	822168		4/2008
KR	822169		4/2008
NL	1011332	C2	8/2000
WO	2000063036		10/2000
WO	0206698	A1	1/2002
WO	2004/090440	A1	10/2004
WO	2004098933		11/2004
WO	2005108135		11/2005
WO	2009055891	A1	5/2009
WO	2015013794	A1	2/2015
WO	2016120337		8/2016
WO	2016166320	A1	10/2016
WO	2019207451	A2	10/2019

OTHER PUBLICATIONS

International Application No. PCT/IB2020/052438 filed on Mar. 17, 2020.

Invitation to Pay Additional Fee for International Application No. PCT/IB2020/052438 dated Jul. 9, 2020, 9 pages.

Australian application No. 201910037, "Air conditioner," filed on Jan. 4, 2019.

Australian application No. 201910038, "Air conditioner," filed on Jan. 4, 2019.

Chinese application No. 201830607654.X, "Mobile Air conditioner," filed on Oct. 30, 2018.

Australian application No. 201816419, "Air conditioner" filed on Oct. 26, 2018.

European Design application No. 005811890 filed Oct. 29, 2018.

Dometic 2015 Product Catalog, Climate Control.

Dometic 2016 Product Catalog, Climate Control.

Dometic Duo-Therm, p. 140.

Dometic Waeco Coolair RT 880; <http://www.dometic.co.uk/product/waeco-coolair-rt-880-2/> May 14, 2015.

American RV Company, Dometic 459530 Duo Therm 13,500 BTU Brisk Air Conditioner High Efficiency Upper Unit Trailer Camper RV, Mar. 23, 2014 <https://web.archive.org/web/20140323013456/http://www.americanrvcompany.com/Dometic-459530-Duo-Therm-13500-BTU-Brisk-Air-Conditioner-High-Efficiency-Upper-Unit-Trailer-Camper-RV> Mar. 23, 2014.

American RV Company, Dometic 541815 High Performance 13,500 BTU Air Conditioner Upper Unit CCC2 Required Electronics Pre-Installed Camper Trailer RV, <http://www.americanrvcompany.com/Dometic-541815-High-Performance-13500-BTU-Air-Conditioner-Upper-Unit-CCC2-Required-Electronics-Pre-Installed-Camper-Trailer-RV> Mar. 23, 2014.

<http://www.americanrvcompany.com/Dometic-541815-High-Performance-13500-BTU-Air-Conditioner-Upper-Unit-CCC2-Required-Electronics-Pre-Installed-Camper-Trailer-RV> Mar. 23, 2014.

American RV Company, Dometic 541816 High Performance 15,000 BTU Air Conditioner Upper Unit CCC2 Required Electronics Pre-Installed Camper Trailer RV, <http://www.americanrvcompany.com/Dometic-541816-High-Performance-15000-BTU-Air-Conditioner-Upper-Unit-CCC2-Required-Electronics-Pre-Installed-Camper-Trailer-RV> Mar. 23, 2014.

American RV Company, Dometic 541916 High Performance 15,000 BTU Air Conditioner Upper Unit Single Zone LCD Thermostat Required Electronics Pre-Installed Camper Trailer RV, <http://www.americanrvcompany.com/Dometic-541916-High-Performance-15000-BTU-Air-Conditioner-Upper-Unit-Single-Zone-LCD-Thermostat-Required-Electronics-Pre-Installed-Camper-Trailer-RV> Mar. 23, 2014.

American RV Company, Dometic 551816 High Performance 15,000 BTU Heat Pump for Comfort Control Center II Camper Trailer RV, <http://www.americanrvcompany.com/Dometic-551816-High-Performance-15000-BTU-Heat-Pump-for-Comfort-Control-Center-II-Camper-Trailer-RV> Mar. 23, 2014.

Dometic Group: "Climate Control", <http://www.dometic.com/enus/Americas/USA/RV-Products/climate>, 2 pages.

Dometic Corporation, Dometic High Performance Air Conditioners, 2 pages, Jan. 1, 2011.

Utility U.S. Appl. No. 62/819,711 "Mobile Air Conditioner" filed Mar. 18, 2019.

Australian Patent Application No. 2019259641 titled "Damped Mobile Compressor" filed on Oct. 20, 2020.

Chinese Application No. 201980028248.X "Damped Mobile Compressor" filed on Oct. 22, 2020.

European Patent Application No. 19/727,497 titled "Damped Mobile Compressor" filed Oct. 20, 2020.

International Search Report for PCT Application No. PCT/IB2019/053280 dated Oct. 24, 2019.

International Searching Authority, Invitation to Pay Additional Fees and Partial Search Report for PCT/IB2019/053280 dated Aug. 19, 2019.

PCT Application No. PCT/IB2019/053280 titled "Damped Mobile Compressor" filed on Apr. 19, 2019.

U.S. Appl. No. 62/661,468, filed Apr. 23, 2018 titled "Damped Mobile Compressor".

U.S. Appl. No. 17/049,731 titled "Damped Mobile Compressor" filed Oct. 22, 2020.

U.S. Appl. No. 63/175,304 titled "Mobile Air Conditioner" filed Apr. 15, 2021.

Design U.S. Appl. No. 29/798,939 titled "Housing Shroud and Housing for an Air Conditioner" filed Jul. 12, 2021.

U.S. Appl. No. 17/477,343 titled "Mobile Air Conditioner" filed Sep. 16, 2021.

U.S. Appl. No. 17/440,104 titled "Mobile Air Conditioner" filed Sep. 16, 2021.

International Preliminary Report on Patentability Issued in PCT Application No. PCT/IB2020/052438 dated Sep. 16, 2021.

* cited by examiner

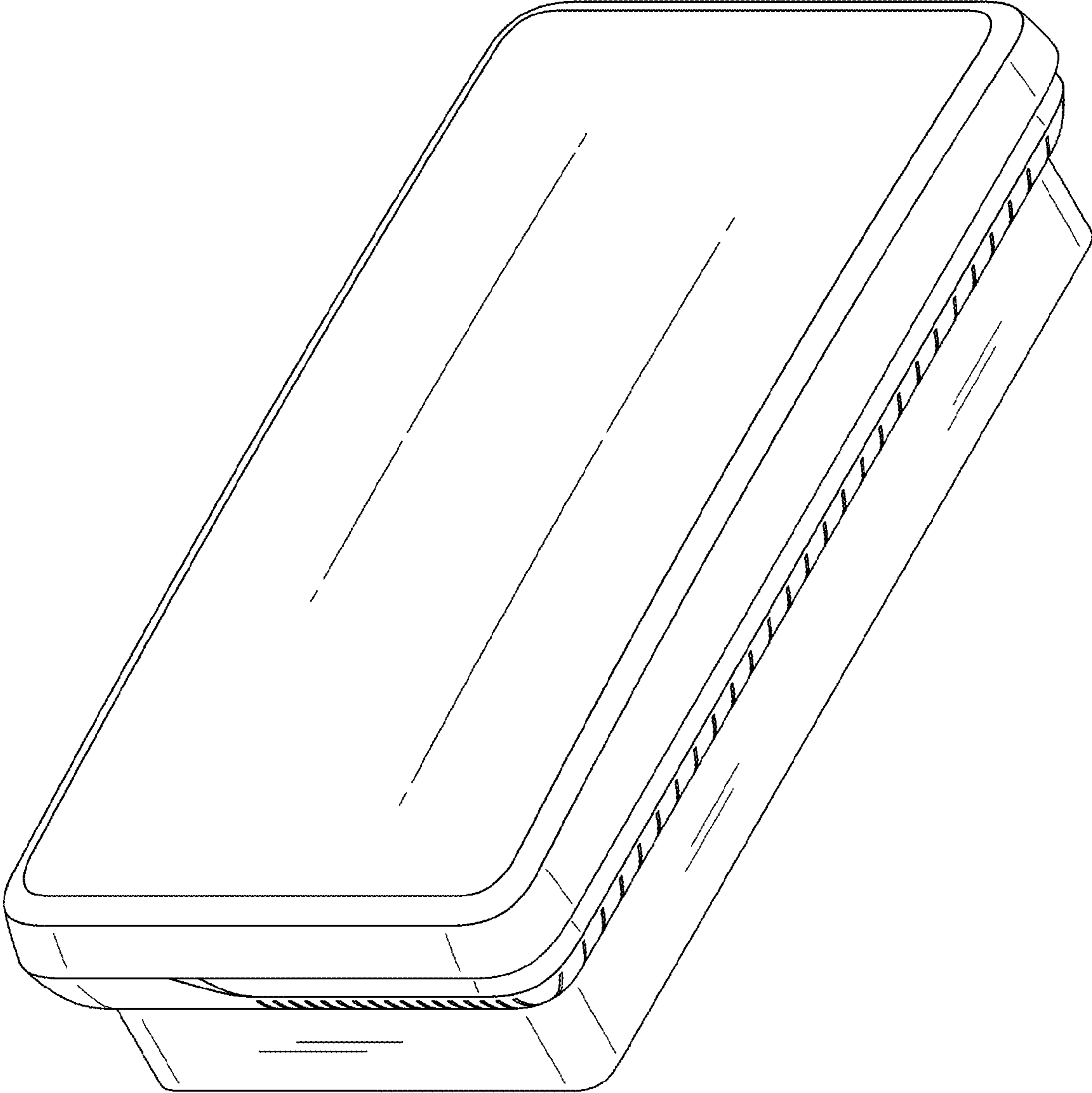


FIG. 1

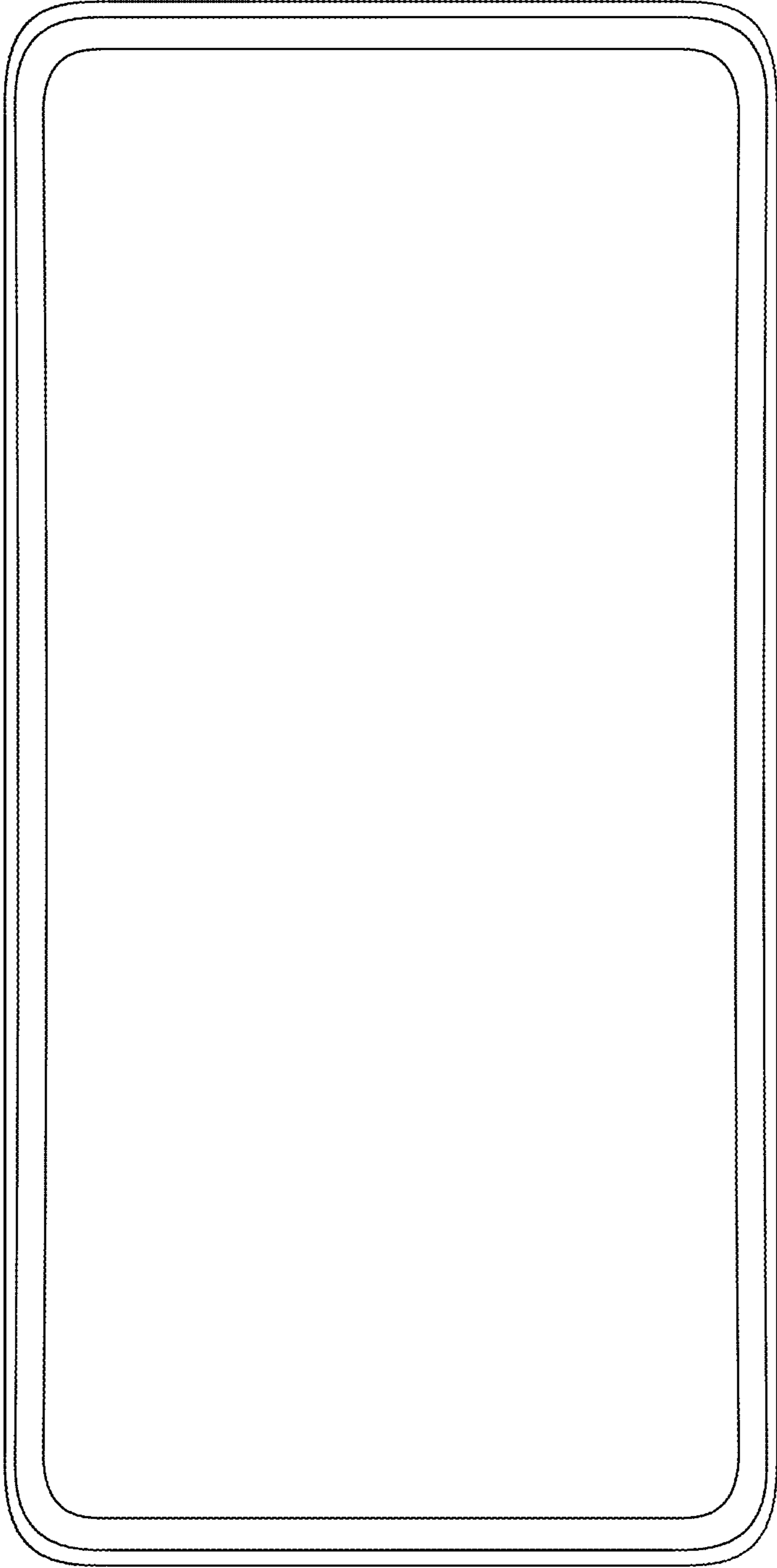


FIG. 2

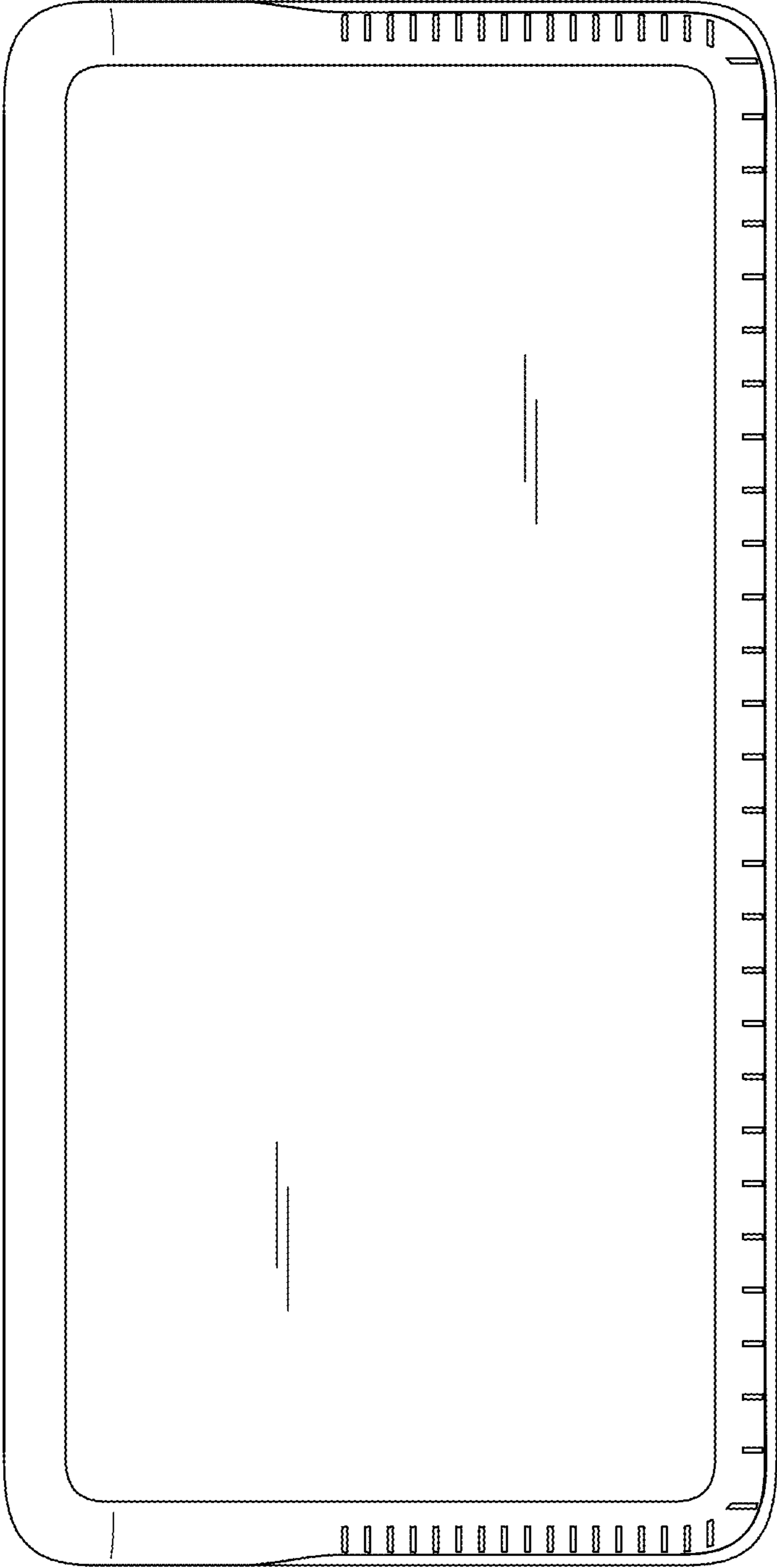


FIG. 3

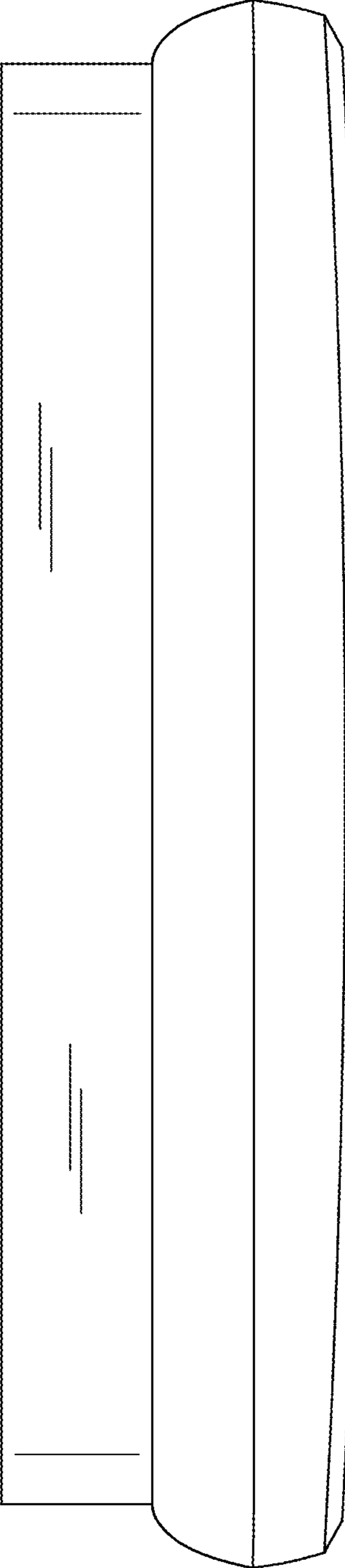


FIG. 4

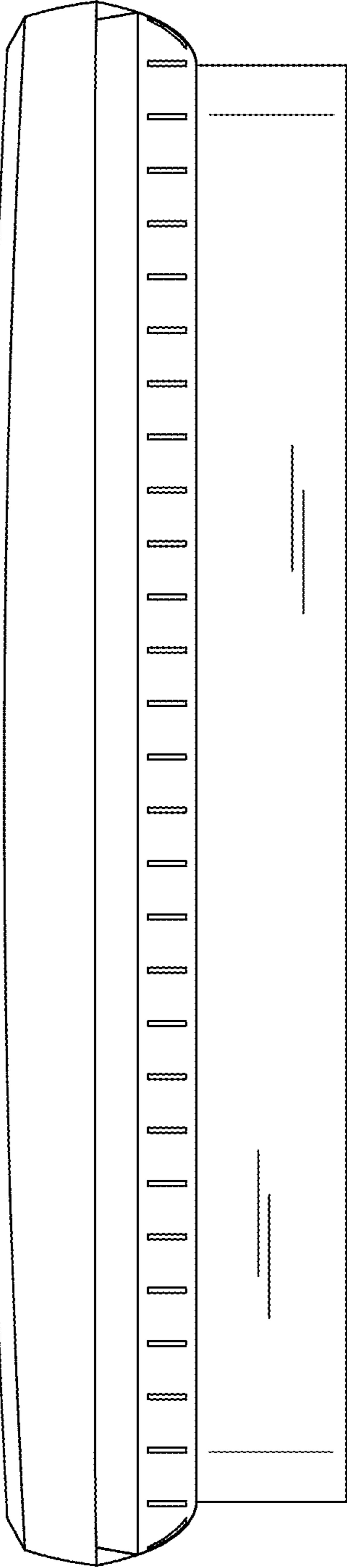


FIG. 5

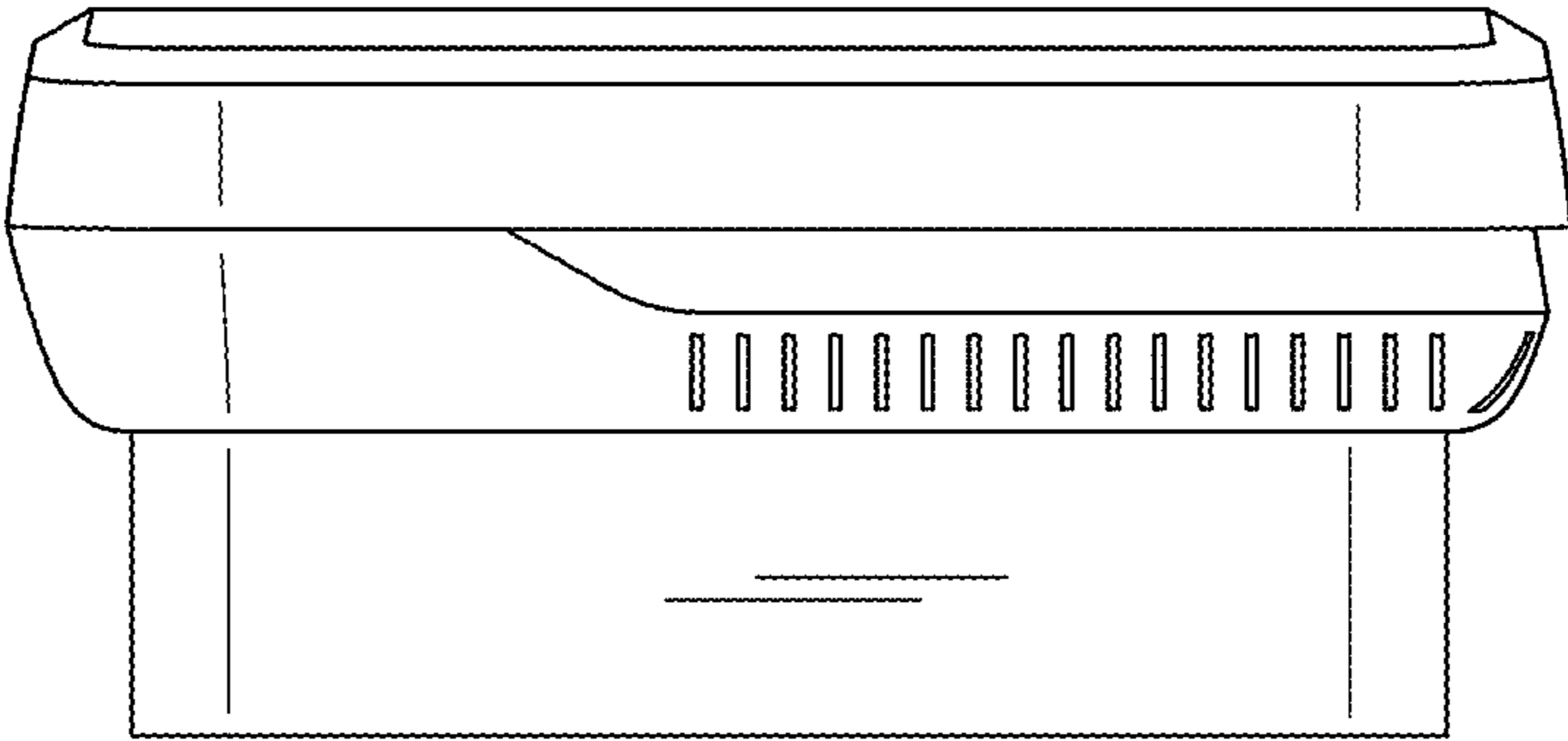


FIG. 6

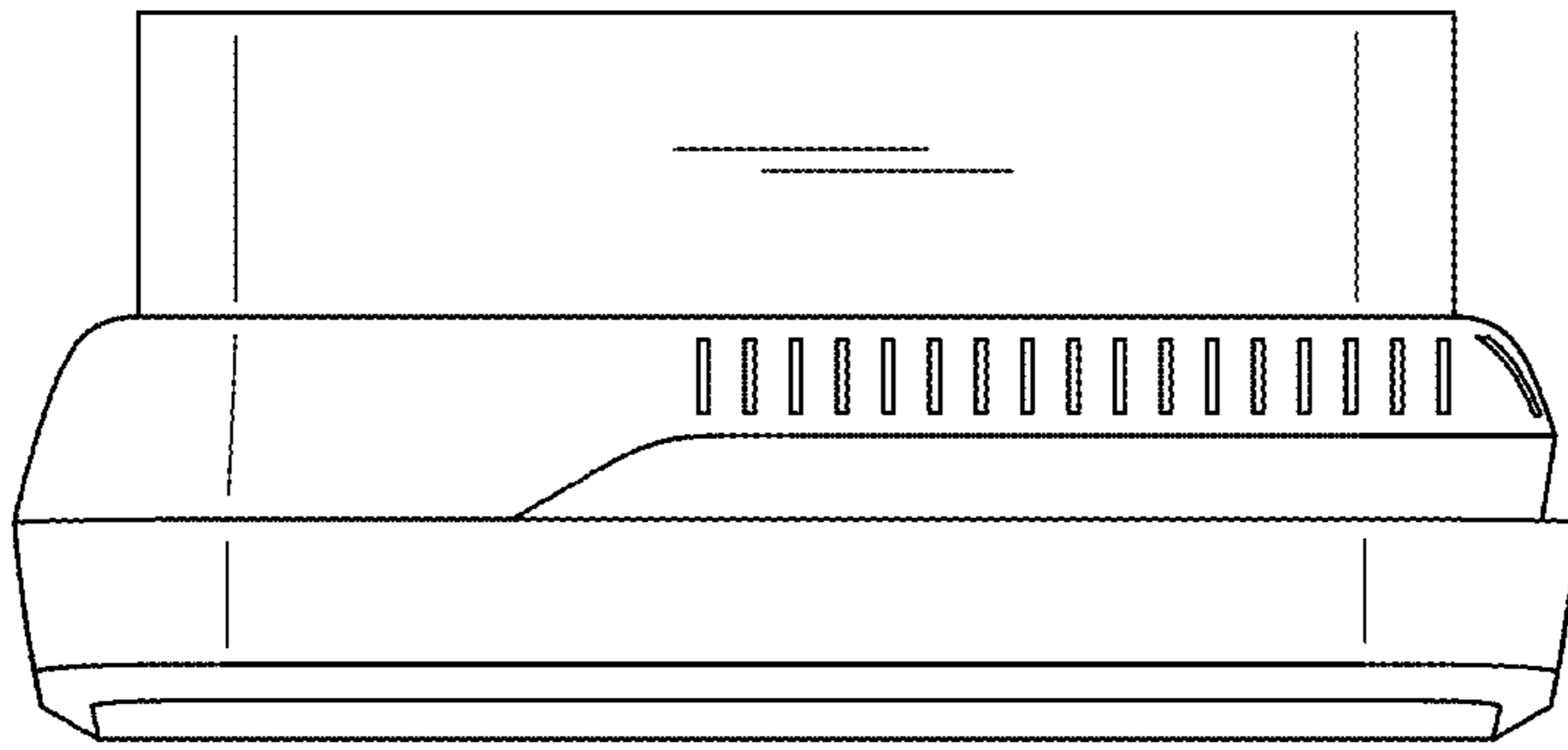


FIG. 7

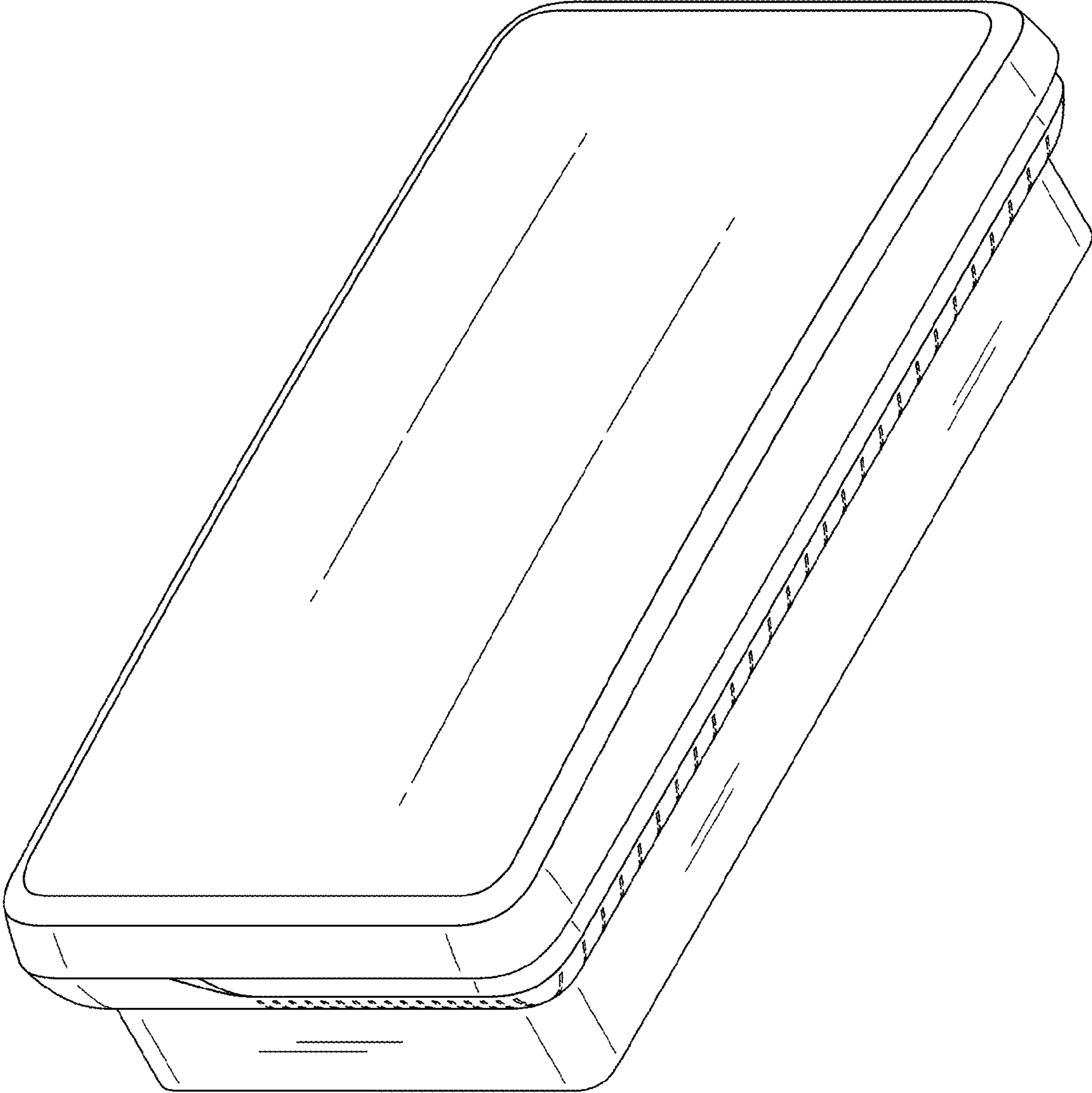


FIG. 8

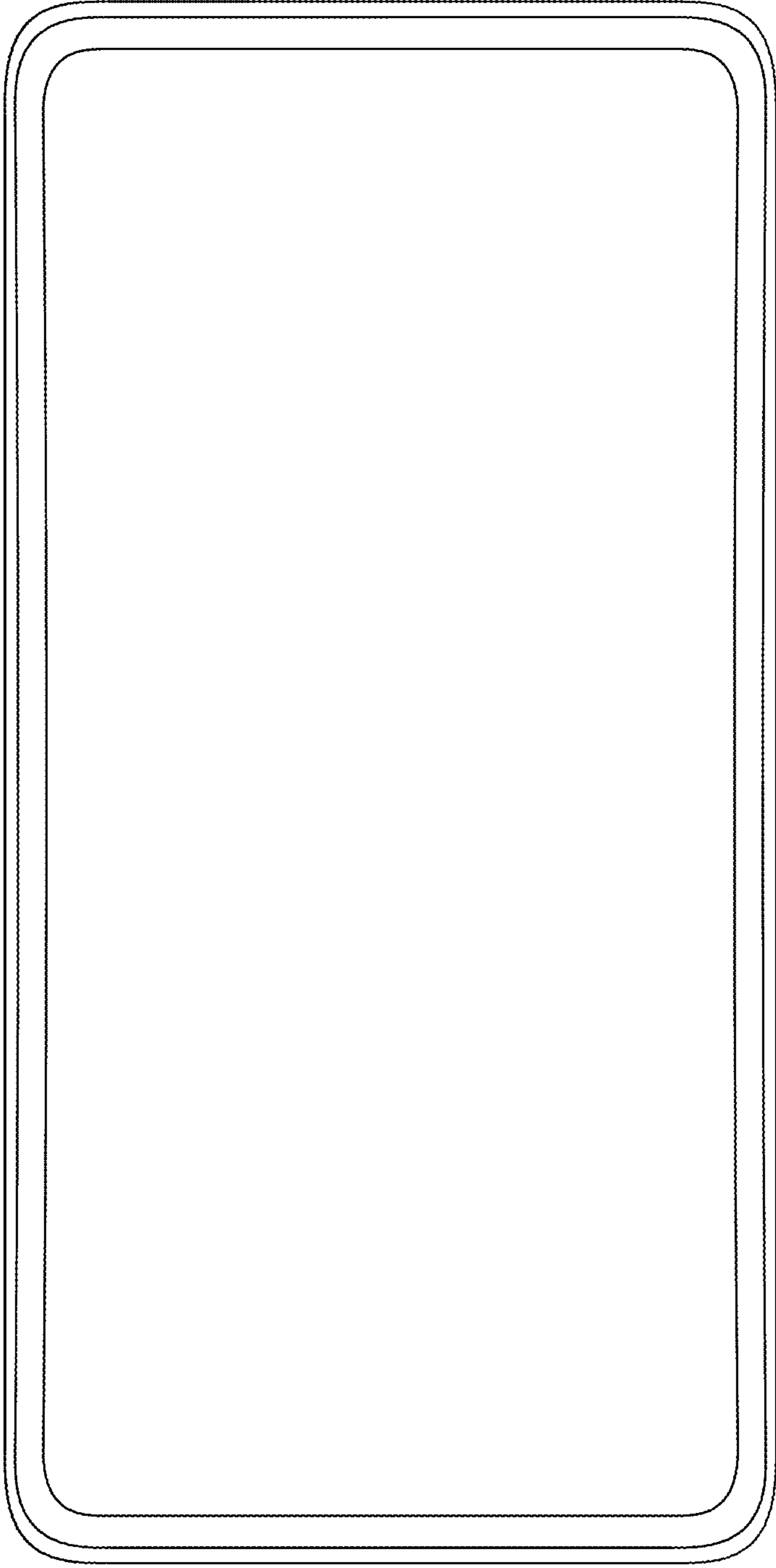


FIG. 9

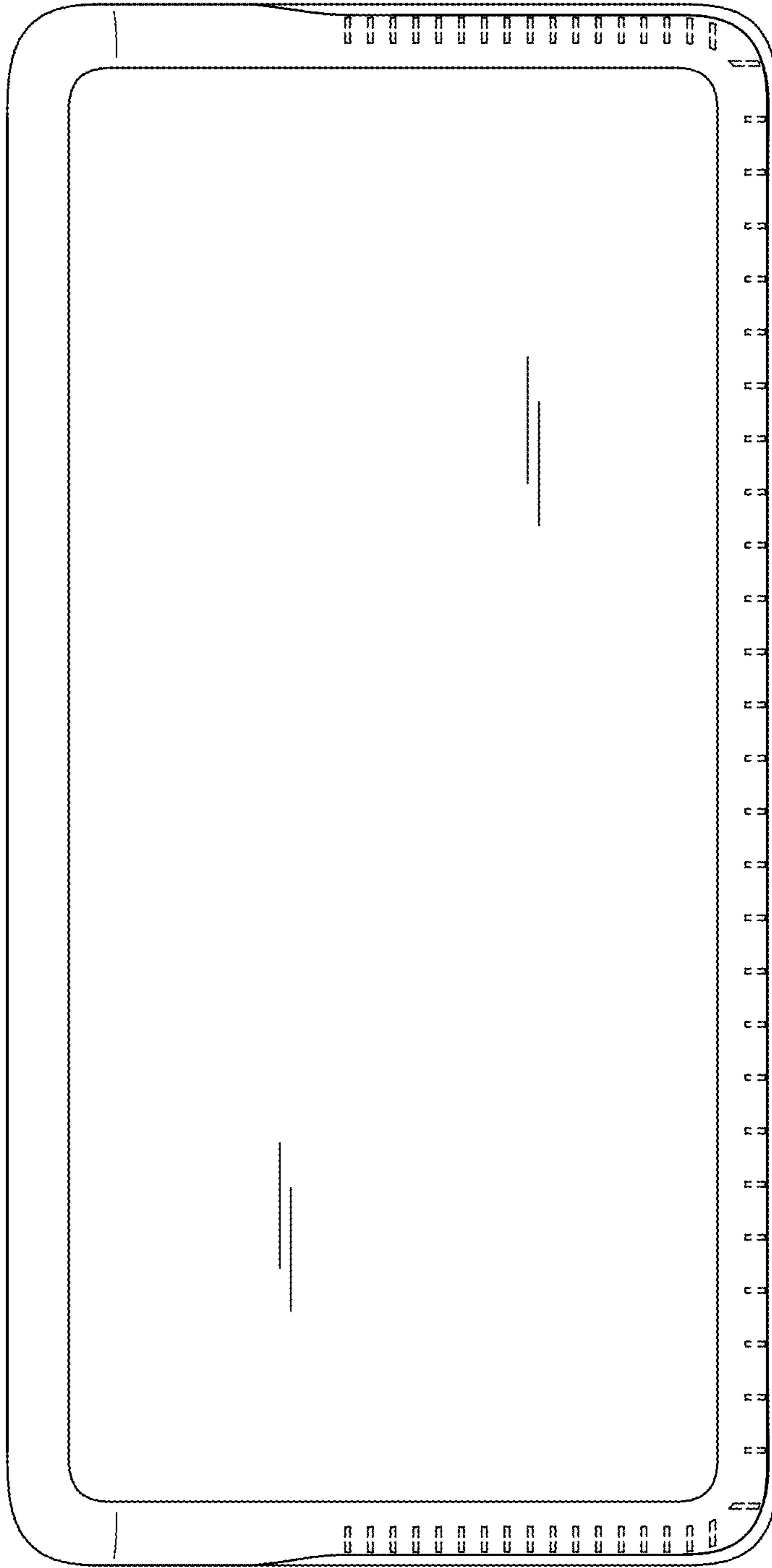


FIG. 10

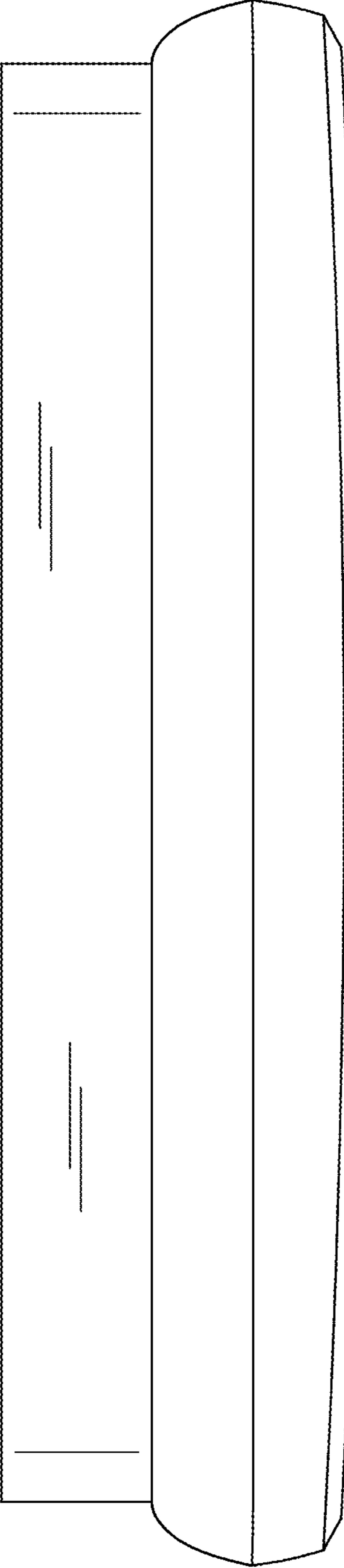


FIG. 11

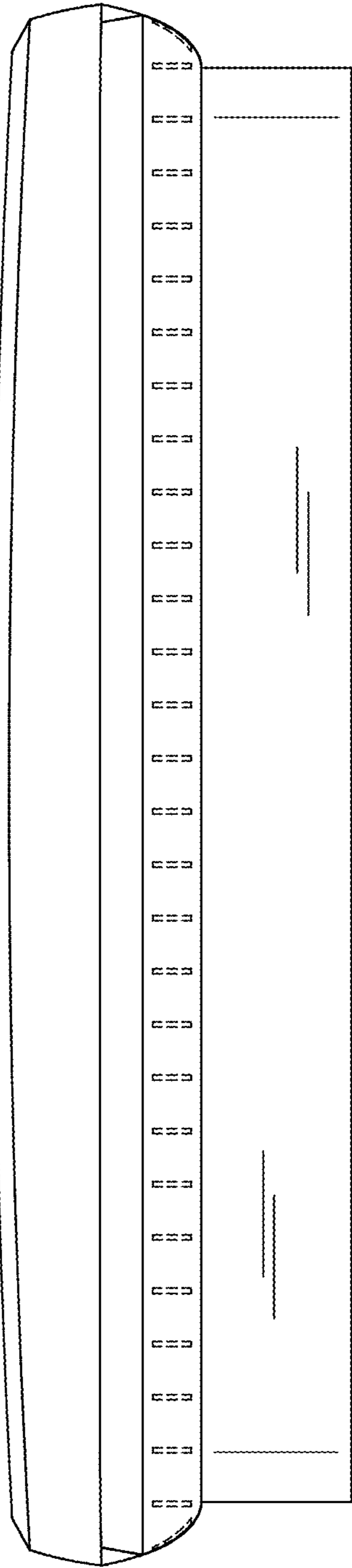


FIG. 12

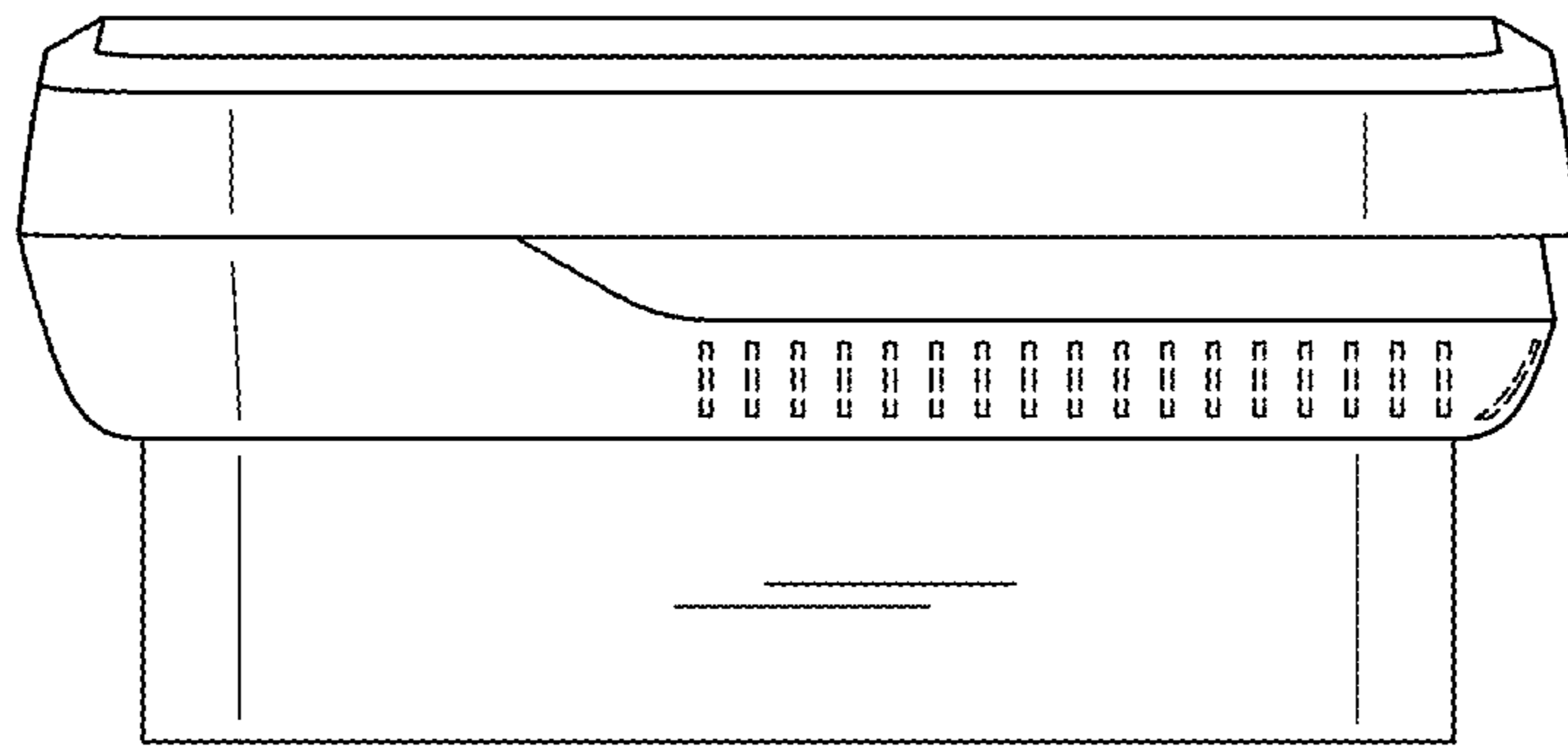


FIG. 13

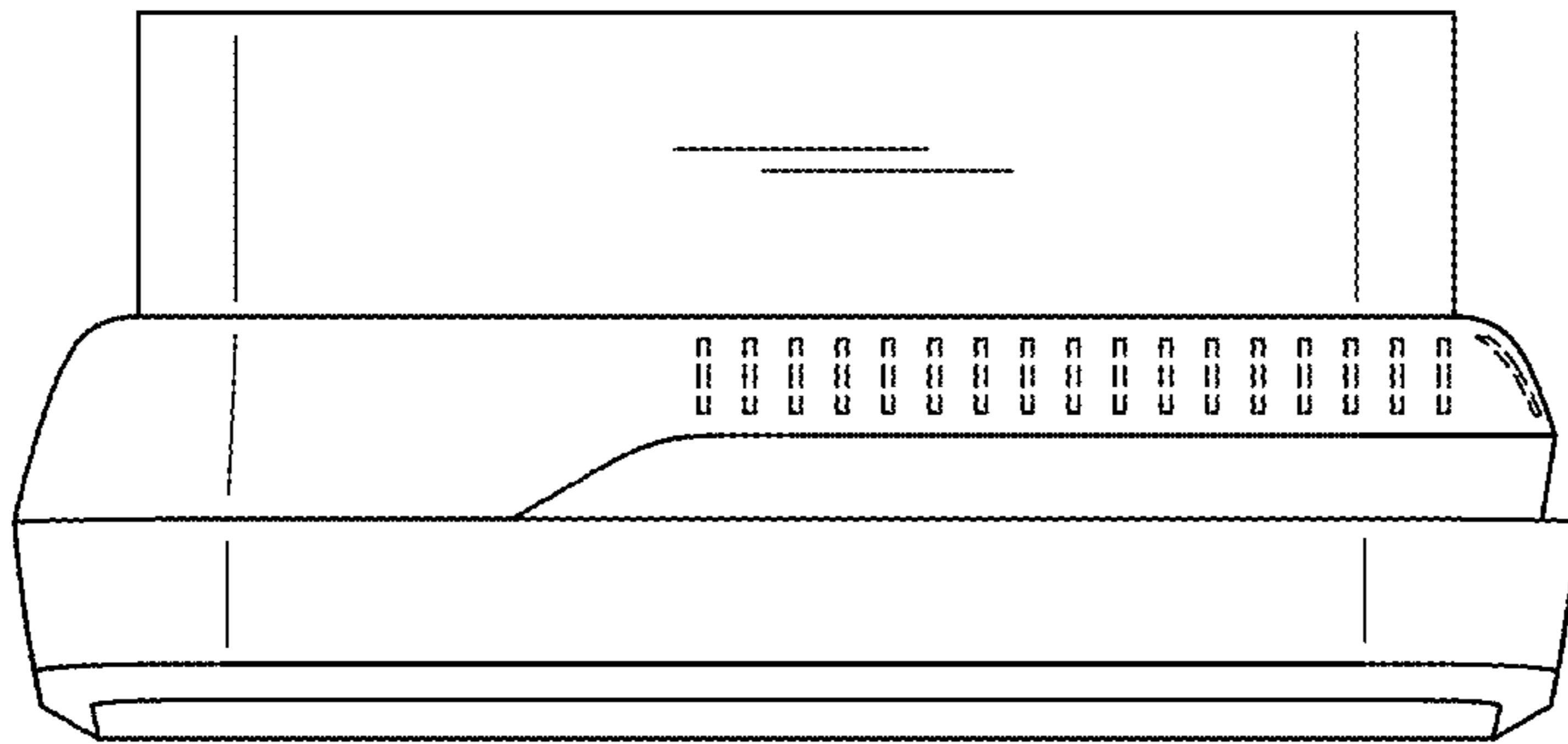


FIG. 14