



US00D940288S

(12) **United States Design Patent** (10) **Patent No.:** **US D940,288 S**
Matsumoto (45) **Date of Patent:** **** Jan. 4, 2022**

(54) **HEAT EXHAUSTER FOR NECK COOLING DEVICE**

(71) Applicant: **FUJITSU GENERAL LIMITED,**
Kanagawa (JP)

(72) Inventor: **Shogo Matsumoto,** Kanagawa (JP)

(73) Assignee: **FUJITSU GENERAL LIMITED,**
Kawasaki (JP)

(**) Term: **15 Years**

(21) Appl. No.: **29/748,086**

(22) Filed: **Aug. 27, 2020**

(30) **Foreign Application Priority Data**

Feb. 28, 2020 (JP) 2020-003902 D

(51) **LOC (13) Cl.** **23-03**

(52) **U.S. Cl.**
USPC **D23/333**

(58) **Field of Classification Search**
USPC D23/316, 314, 328, 351, 330, 332, 341,
D23/333, 354; D24/206, 214
CPC F04D 25/086; F04D 25/0673; A41D
13/0025; A61F 2007/0002; A61F 7/007
See application file for complete search history.

(56) **References Cited**

U.S. PATENT DOCUMENTS

5,623,828 A * 4/1997 Harrington B60H 1/00264
62/3.2
D399,938 S * 10/1998 Miller D23/351
D417,284 S * 11/1999 Kondo D24/206
D430,277 S * 8/2000 Schmulling D23/333
D701,298 S * 3/2014 Daisaku D23/370
D811,893 S * 3/2018 Bandawat D9/682

10,299,525 B1 * 5/2019 Buckman F25B 21/02
2017/0035602 A1 * 2/2017 Shapiro A61F 7/007
2018/0220721 A1 * 8/2018 Houde A41D 13/0053
2018/0369015 A1 * 12/2018 Glucksman A61F 7/0085
2019/0234412 A1 * 8/2019 Schwimmer F04D 25/0673
2020/0060375 A1 * 2/2020 Jascomb A62B 18/003
2020/0375791 A1 * 12/2020 Plazarte B32B 5/028
2021/0106459 A1 * 4/2021 Caruso A61F 7/02

OTHER PUBLICATIONS

Comodo Gear <https://www.fujitsu-general.com/jp/products/neck-gear/comodo-gear-2020/index.html> (Year: 2021).*

* cited by examiner

Primary Examiner — Ania Aman

(74) *Attorney, Agent, or Firm* — Sughrue Mion, PLLC

(57) **CLAIM**

The ornamental design for a heat exhauster for neck cooling device, as shown and described.

DESCRIPTION

FIG. 1 is a perspective view of the front, top and right side view of a heat exhauster for neck cooling device showing my new design;

FIG. 2 is a front view thereof;

FIG. 3 is a rear view thereof;

FIG. 4 is a left side view thereof;

FIG. 5 is a right side view;

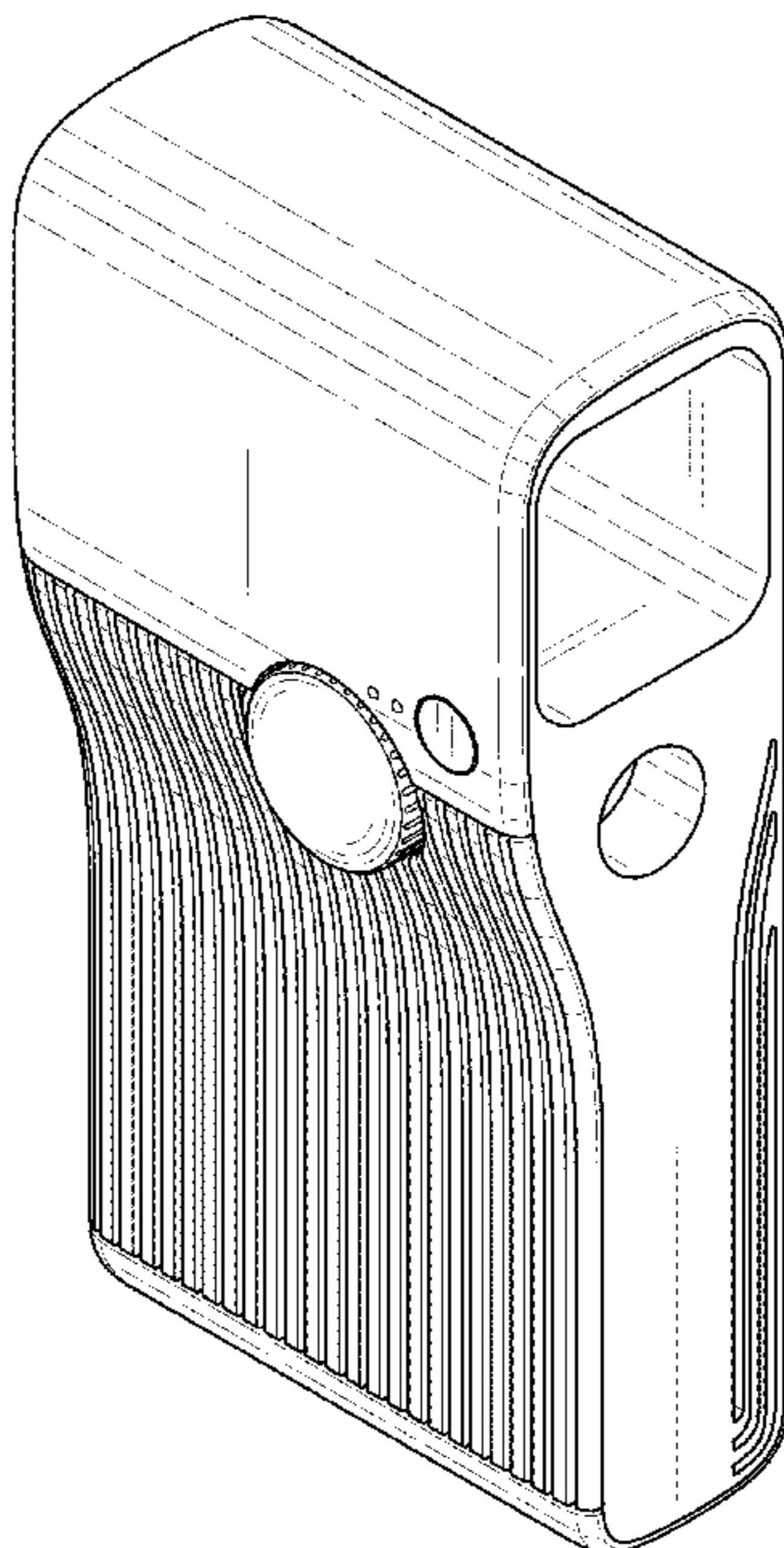
FIG. 6 is a top view thereof;

FIG. 7 is a bottom view thereof;

FIG. 8 is a cross sectional view thereof, taken along line 8-8 in FIG. 2; and,

FIG. 9 is a cross sectional view thereof, taken along line 9-9 in FIG. 2.

1 Claim, 6 Drawing Sheets



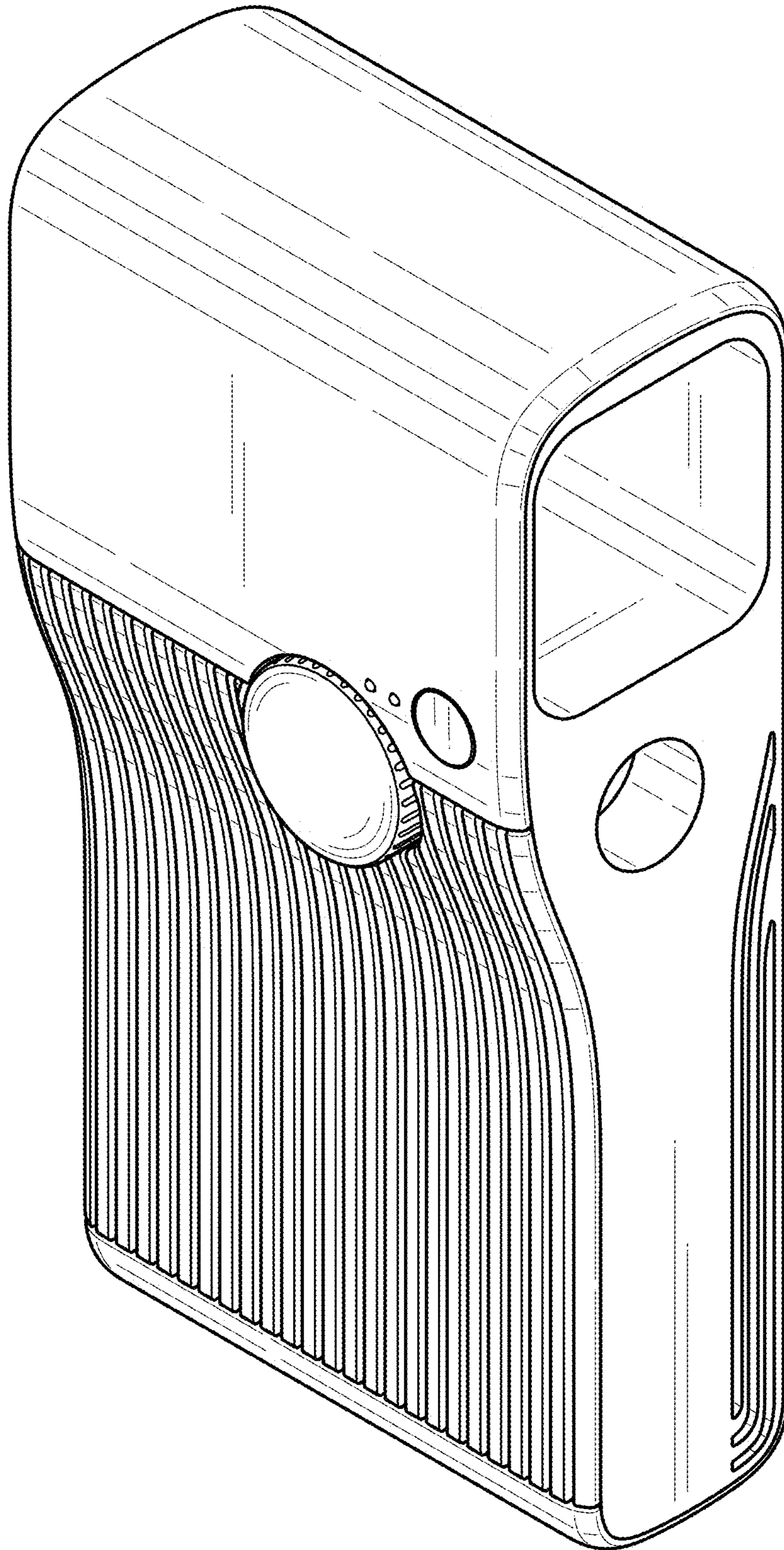


FIG. 1

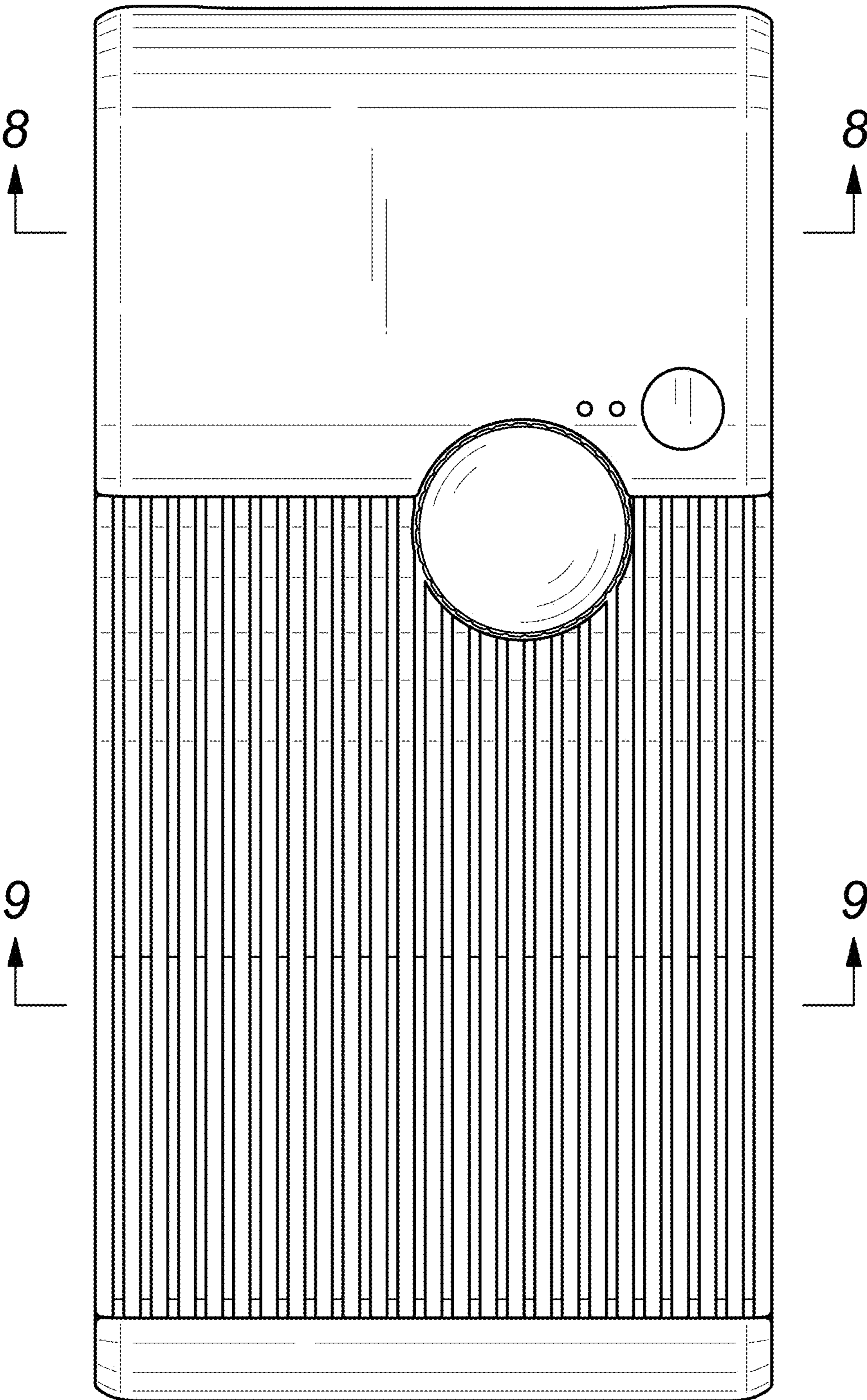


FIG. 2

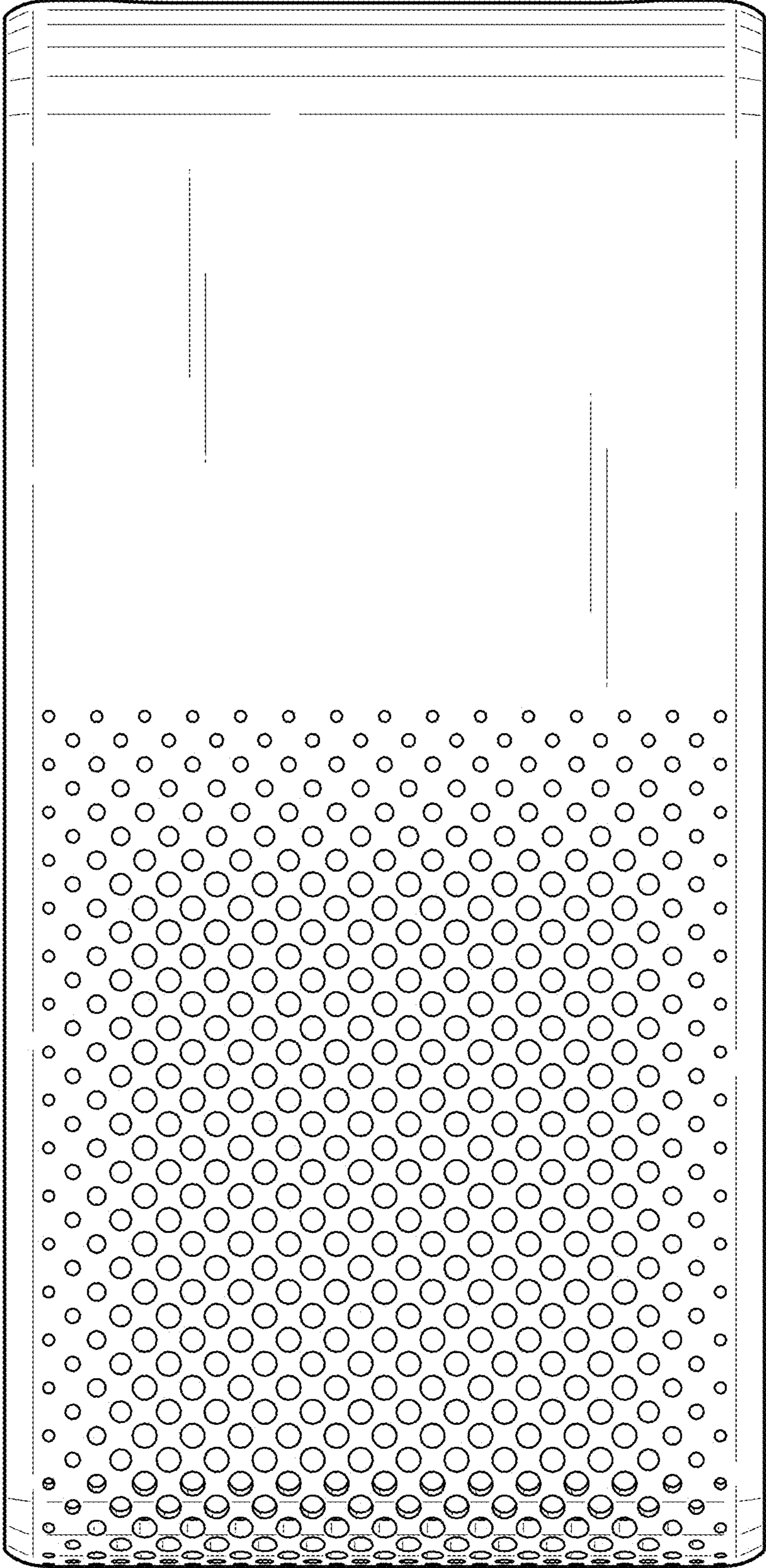


FIG. 3

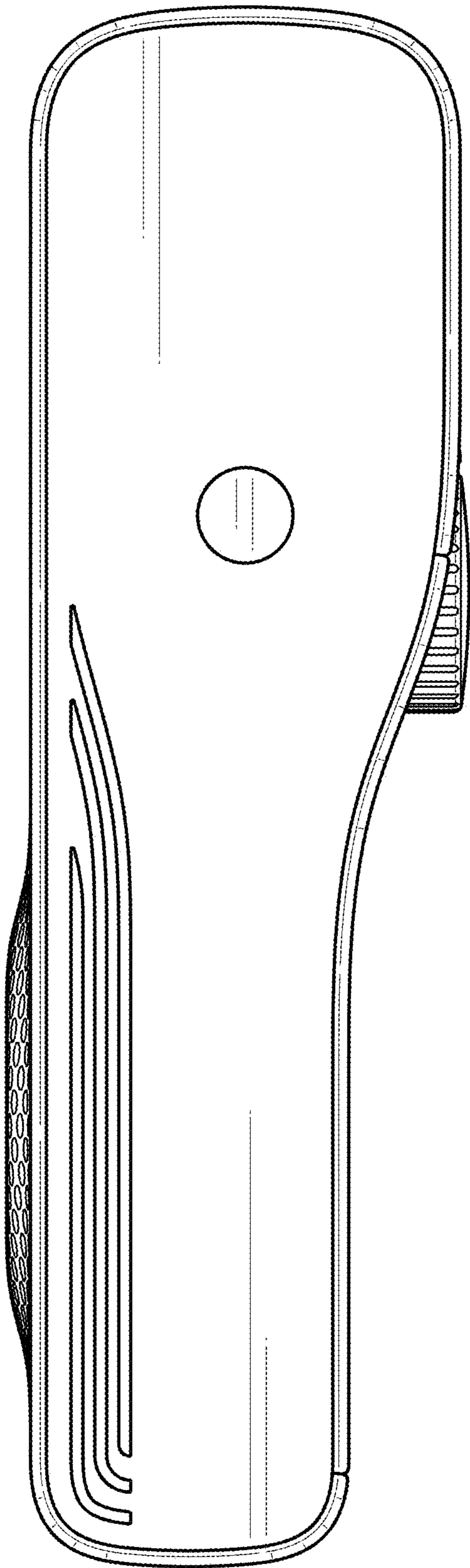


FIG. 4

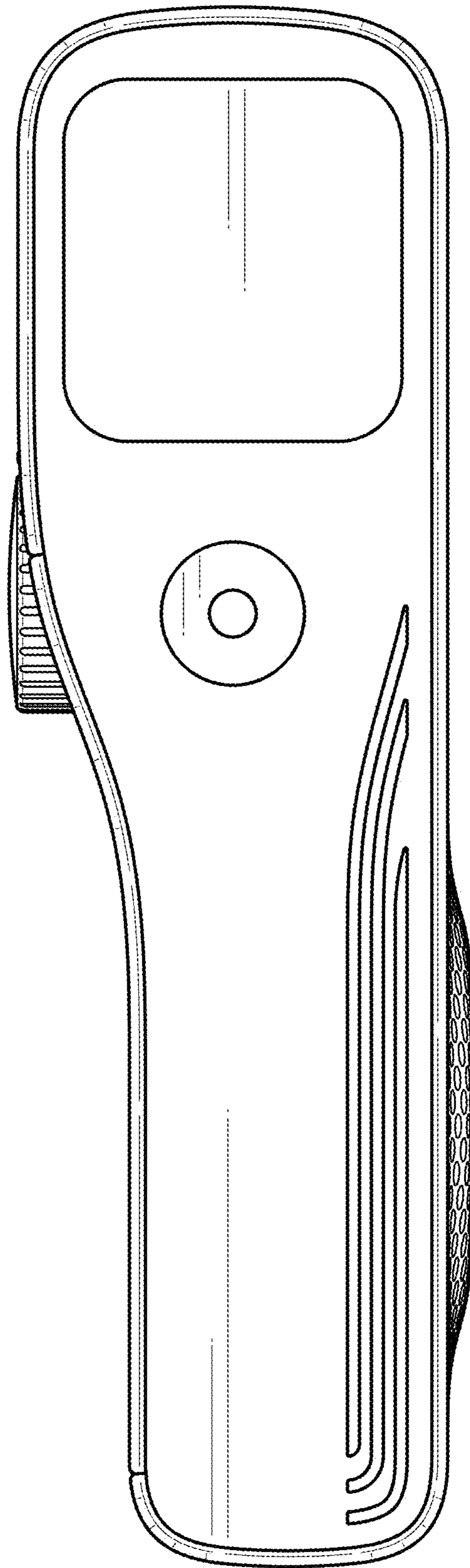


FIG. 5

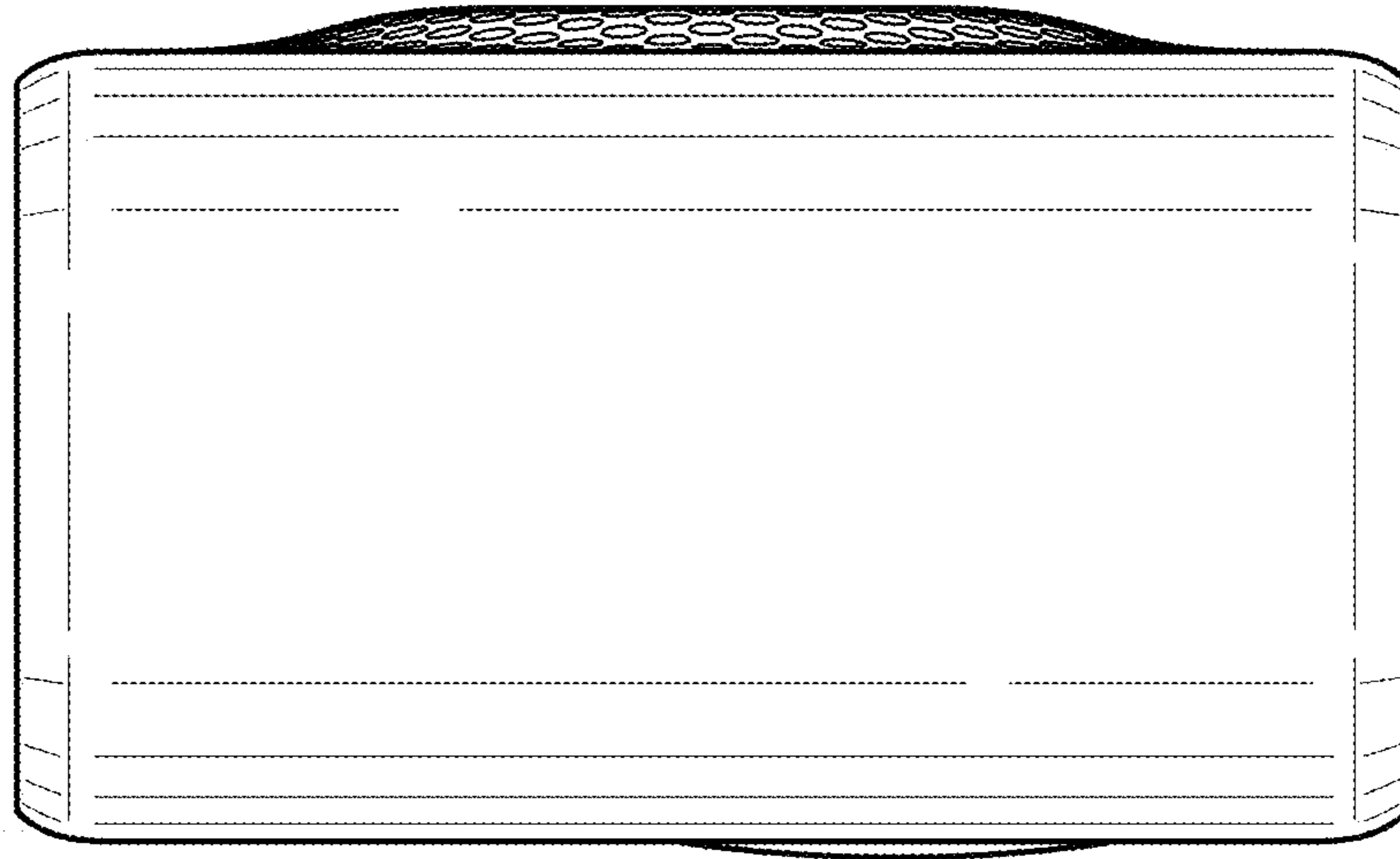


FIG. 6

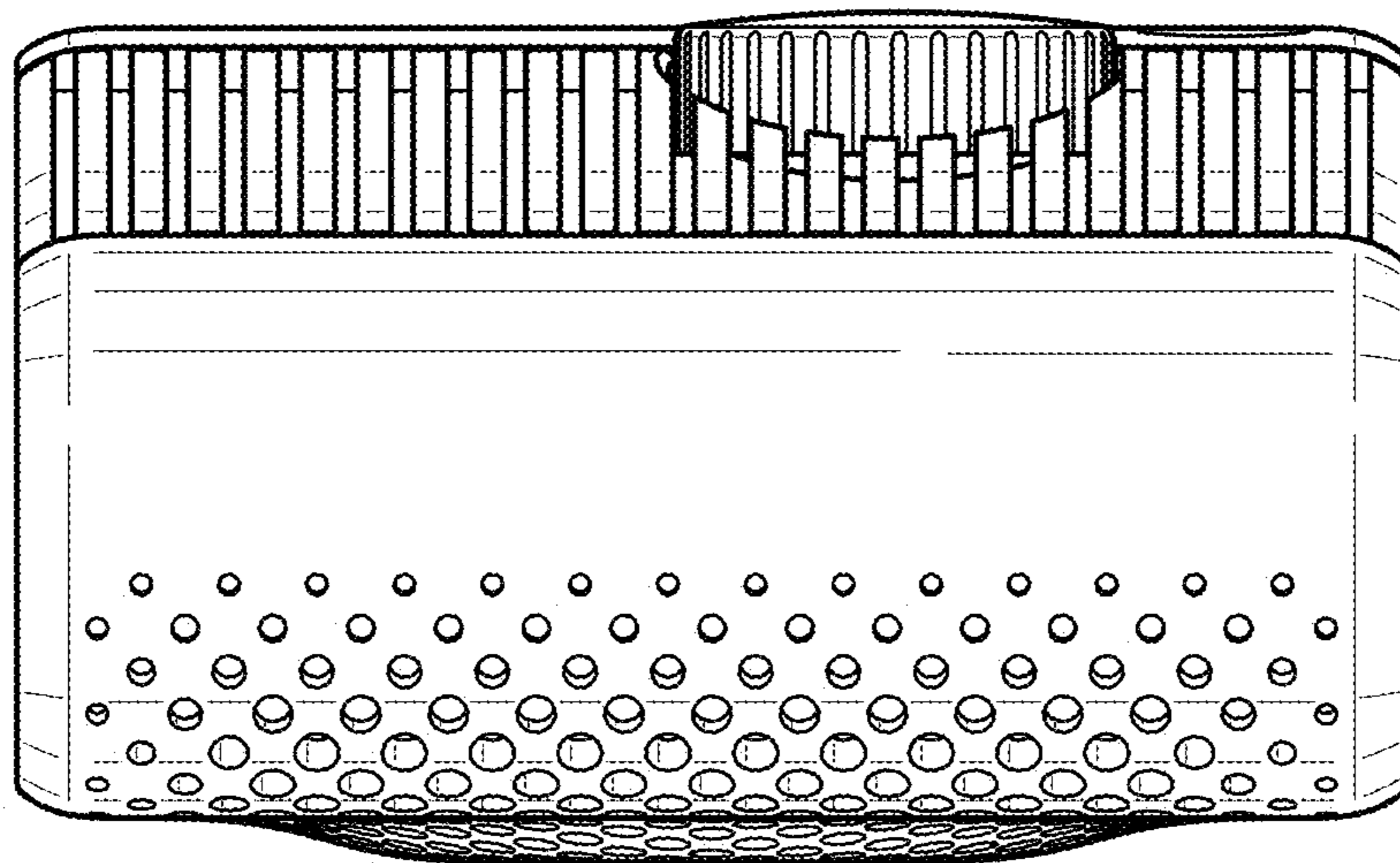


FIG. 7

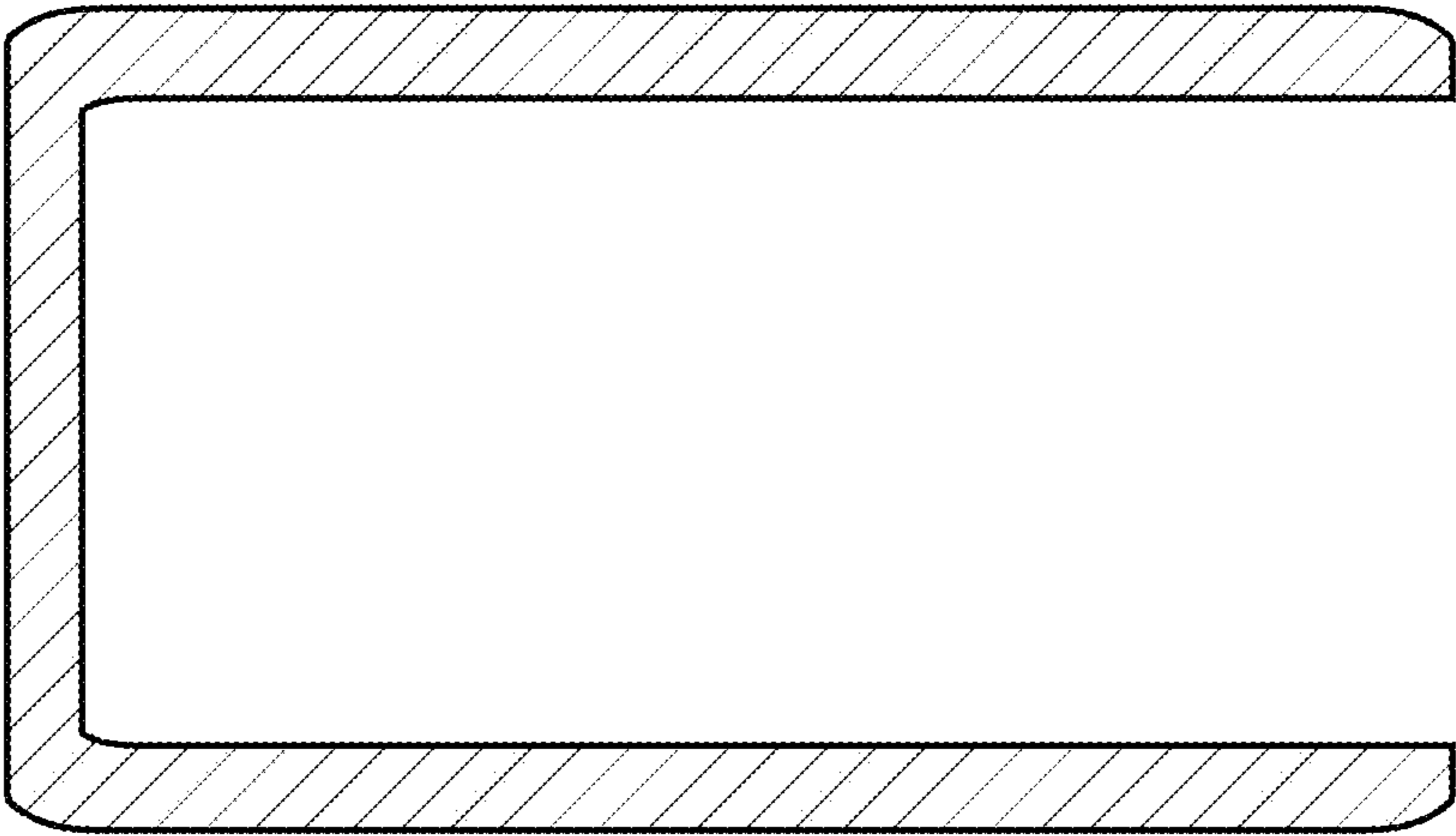


FIG. 8

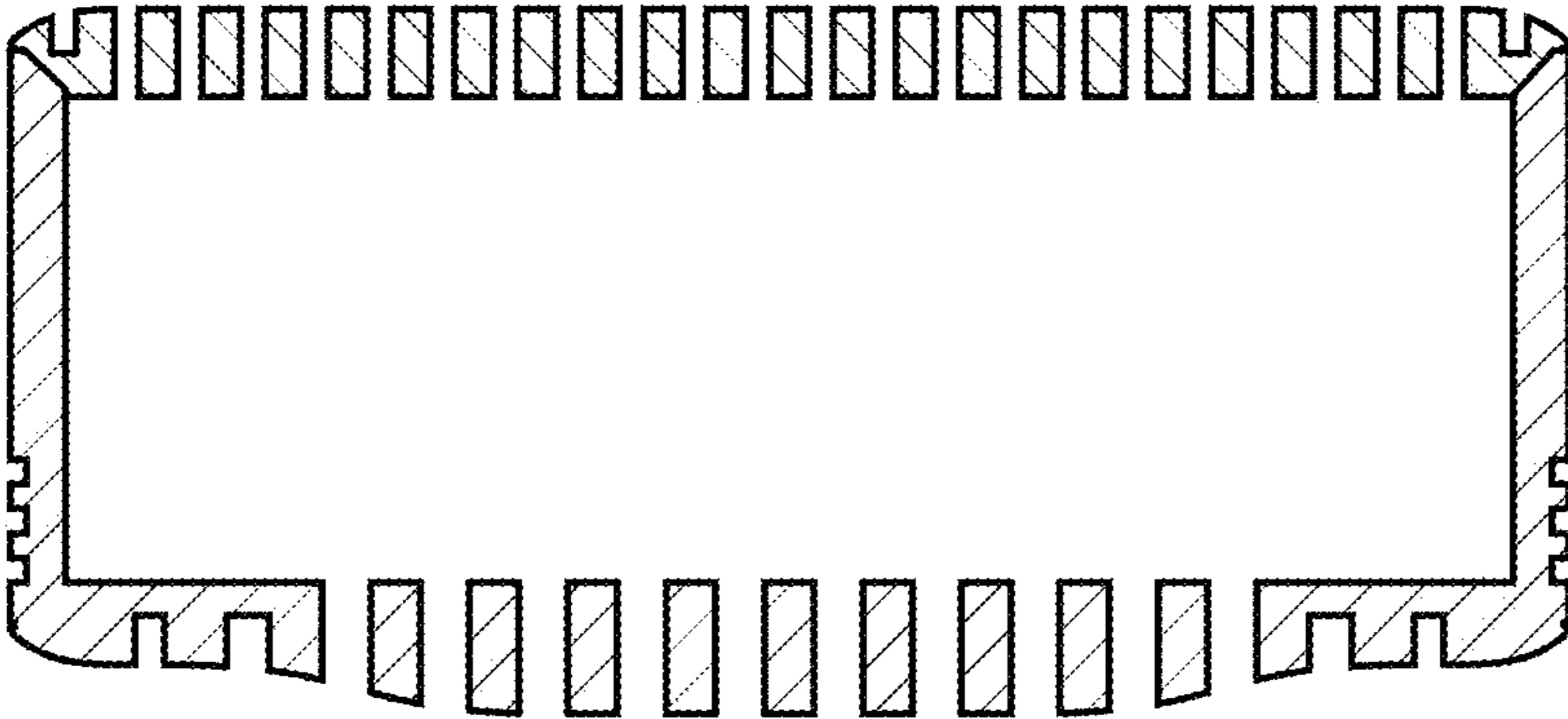


FIG. 9