



US00D940285S

(12) **United States Design Patent** (10) **Patent No.:** **US D940,285 S**
Mu (45) **Date of Patent:** **** Jan. 4, 2022**

(54) **BASIN**

(71) Applicant: **Mengmeng Mu**, Ningbo (CN)

(72) Inventor: **Mengmeng Mu**, Ningbo (CN)

(**) Term: **15 Years**

(21) Appl. No.: **29/688,688**

(22) Filed: **Apr. 23, 2019**

(51) **LOC (13) Cl.** **23-02**

(52) **U.S. Cl.**

USPC **D23/277**; D30/158

(58) **Field of Classification Search**

USPC D30/158, 159, 199; D23/275–278, 303;
119/600, 603, 604, 606, 668, 671, 673,
119/677, 678; D6/390, 391, 392

CPC A01K 13/00; A01K 13/001; A47D 7/002;
A47D 9/005

See application file for complete search history.

(56) **References Cited**

U.S. PATENT DOCUMENTS

- 1,726,753 A * 9/1929 Mirkin A47K 3/164
4/572.1
- D118,113 S * 12/1939 Feldman D23/278
- D141,361 S * 5/1945 Deerwester D23/278
- 2,514,767 A * 7/1950 Kennedy A47K 3/064
4/572.1
- 3,115,364 A * 12/1963 Berlin A47D 1/00
297/130
- 3,146,736 A * 9/1964 Hetrick A47D 9/005
108/176
- 5,974,601 A * 11/1999 Drane A47K 3/001
4/539
- 6,588,033 B1 * 7/2003 Welsh, Jr. A47D 7/002
5/93.1
- D780,472 S * 3/2017 Behar D6/390
- D877,527 S * 3/2020 Gopaul D6/390
- 2019/0375539 A1 * 12/2019 Mu A01K 13/001
- 2019/0375546 A1 * 12/2019 Mu B65D 25/24

OTHER PUBLICATIONS

“Standing Boat One-Second Fold Bath Tub” available Jun. 24, 2019, [online], [site visited May 13, 2020]. Retrieved from Internet, URL: https://web.archive.org/web/20190624110224/http://www.standingboat.com/P_view.asp?pid=1 (Year: 2019).*

“Furesh Elevated Folding Dog Bath Tub” available Mar. 17, 2020, [online], [site visited May 13, 2020]. Retrieved from Internet, URL: https://www.amazon.com/Furesh-Elevated-Grooming-Foldable-Portable/product-reviews/B0858ZL2P1/ref=cm_cr_getr_d_paging_btm_next_3 (Year: 2020).*

“Standing Boat Elevated Folding Pet Bath Tub and Wash Station” available Nov. 19, 2018, [online], [site visited May 13, 2020]. Retrieved from Internet, URL: https://www.amazon.com/gp/product/B07J321KRP/ref=as_li_ss_tl?ie=UTF8&linkCode=ll1&tag=thereajacther-20&linkId=fa803c31559ba95fad502e78b2ccb654 (Year: 2018).*

* cited by examiner

Primary Examiner — Michael C Stout

Assistant Examiner — Katrina N Gonzalez

(74) *Attorney, Agent, or Firm* — Raymond Y. Chan;
David and Raymond Patent Firm

(57) **CLAIM**

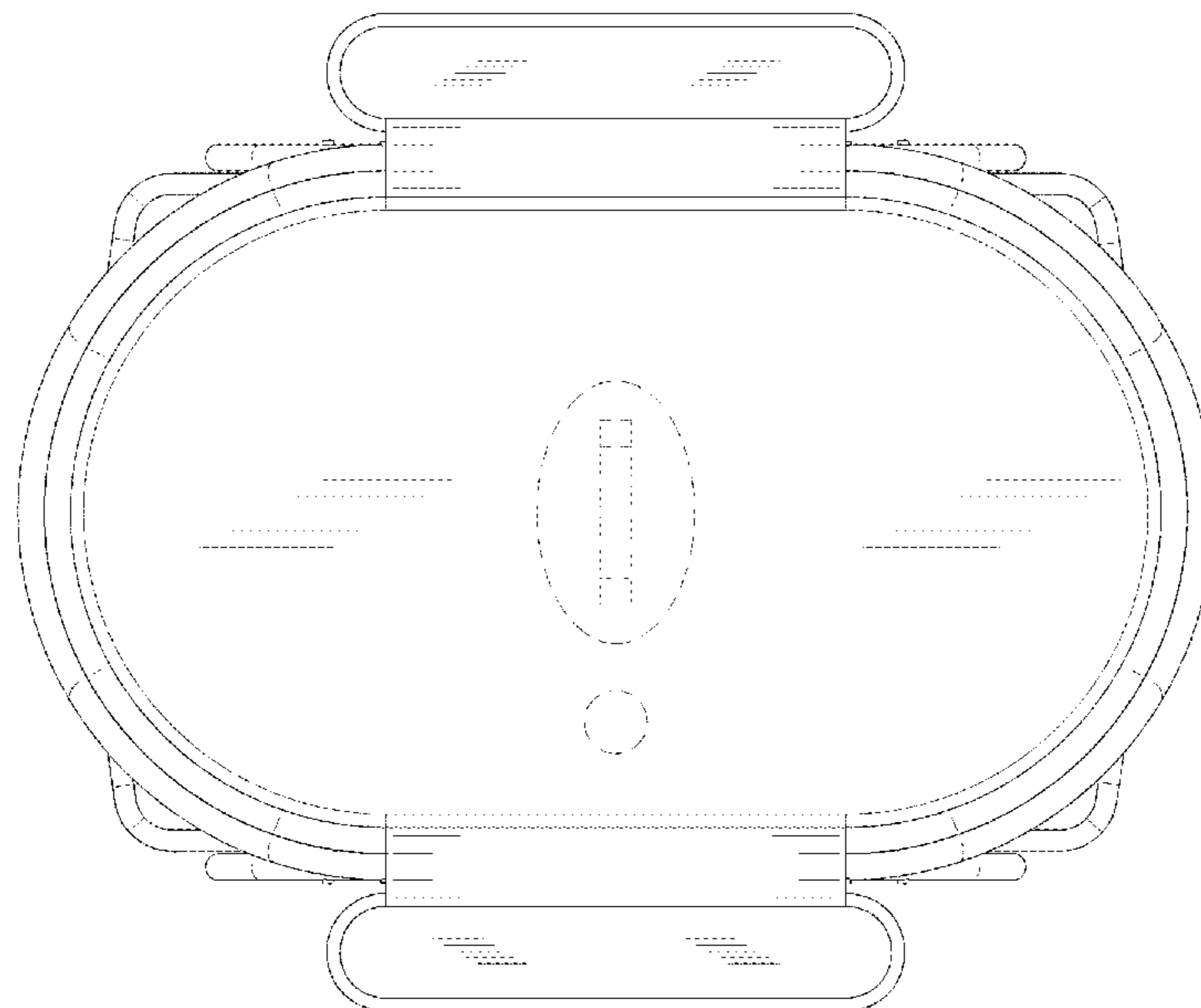
The ornamental design for a basin, as shown and described.

DESCRIPTION

FIG. 1 is a top plan view of a basin, showing my new design;
FIG. 2 is a front view thereof;
FIG. 3 is a perspective view thereof;
FIG. 4 is a right view thereof;
FIG. 5 is a rear side view thereof; and,
FIG. 6 is a left view thereof.

The broken lines illustrate portions of the basin that forms no part of the claimed design.

1 Claim, 6 Drawing Sheets



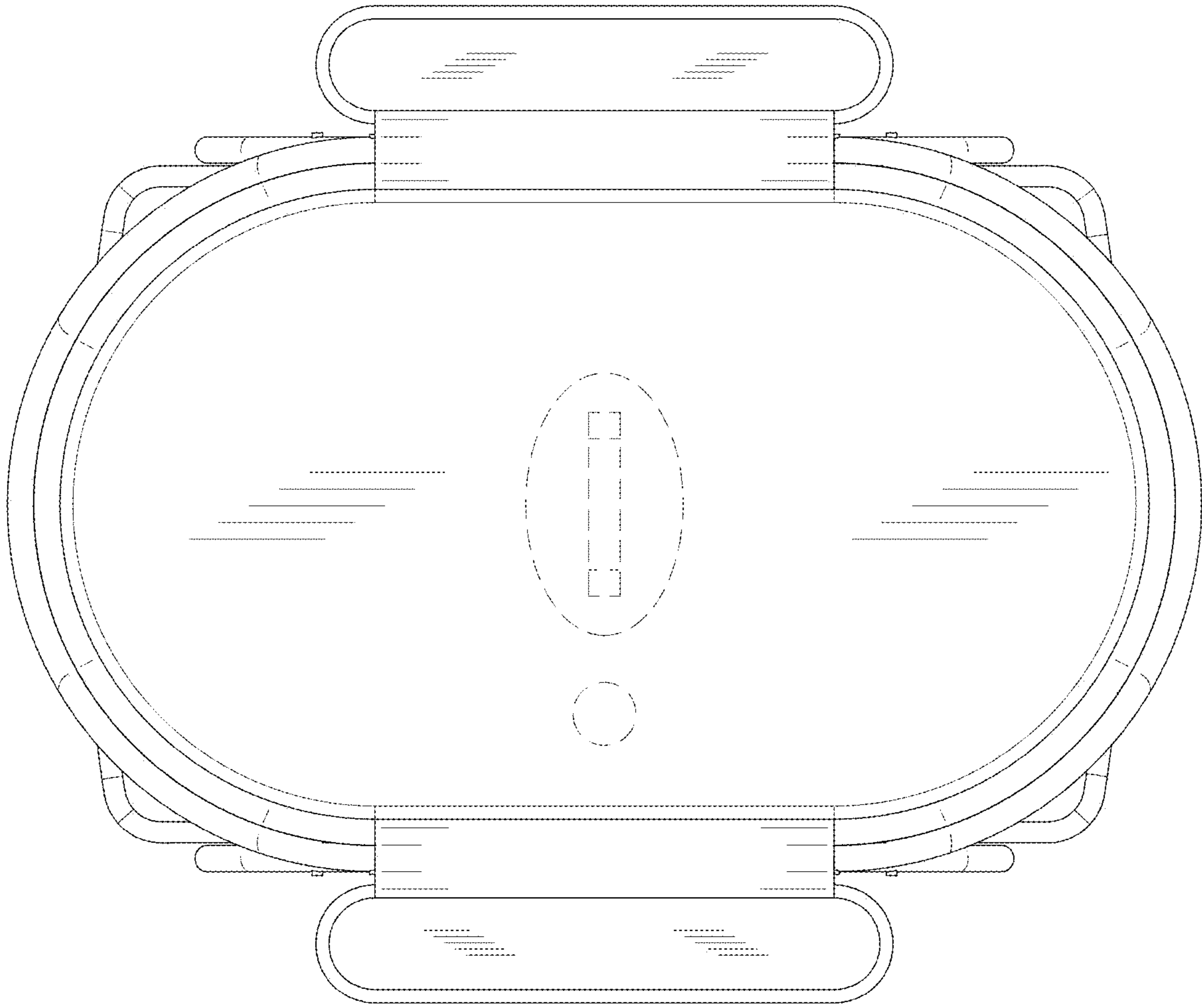


FIG. 1

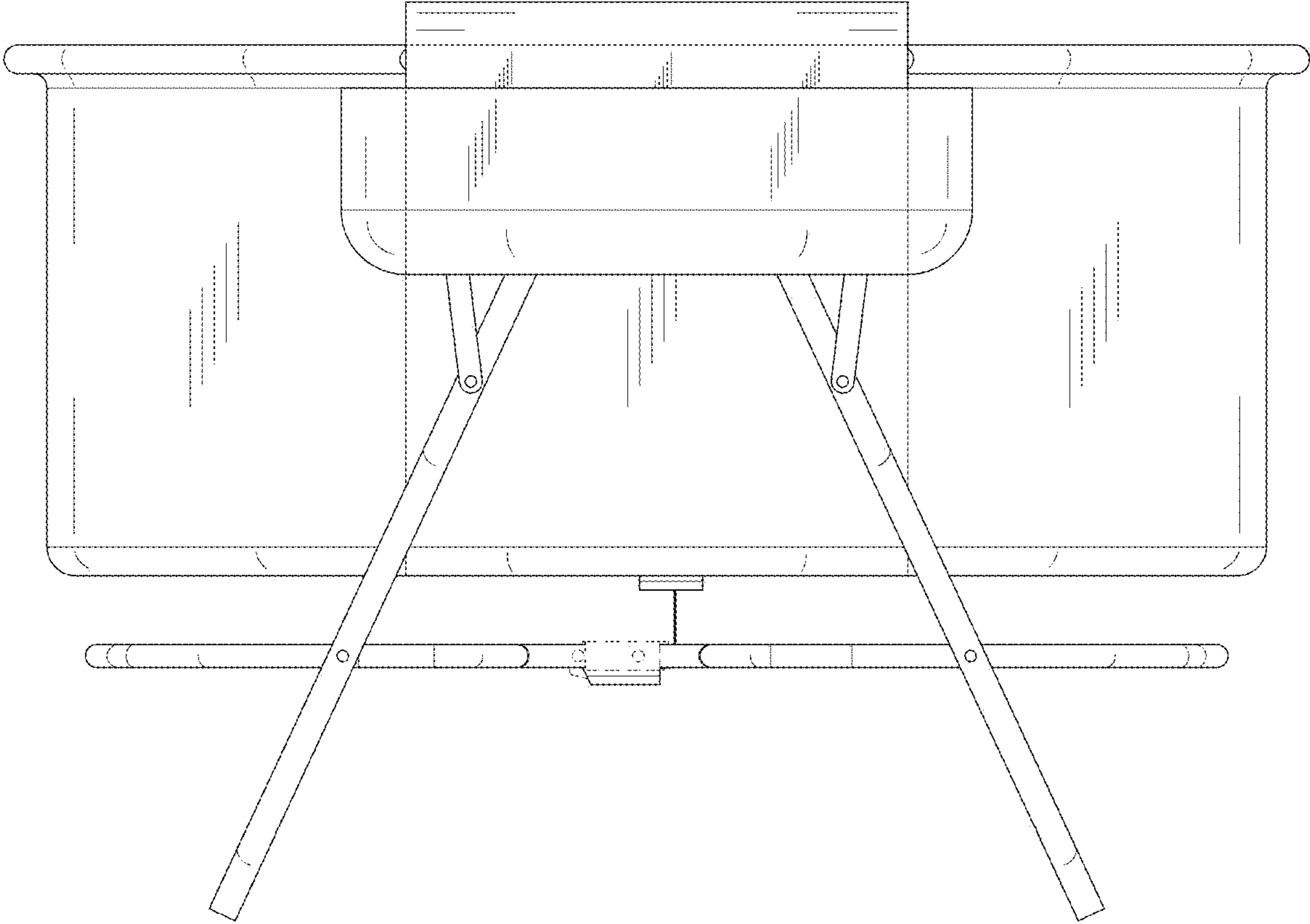


FIG. 2

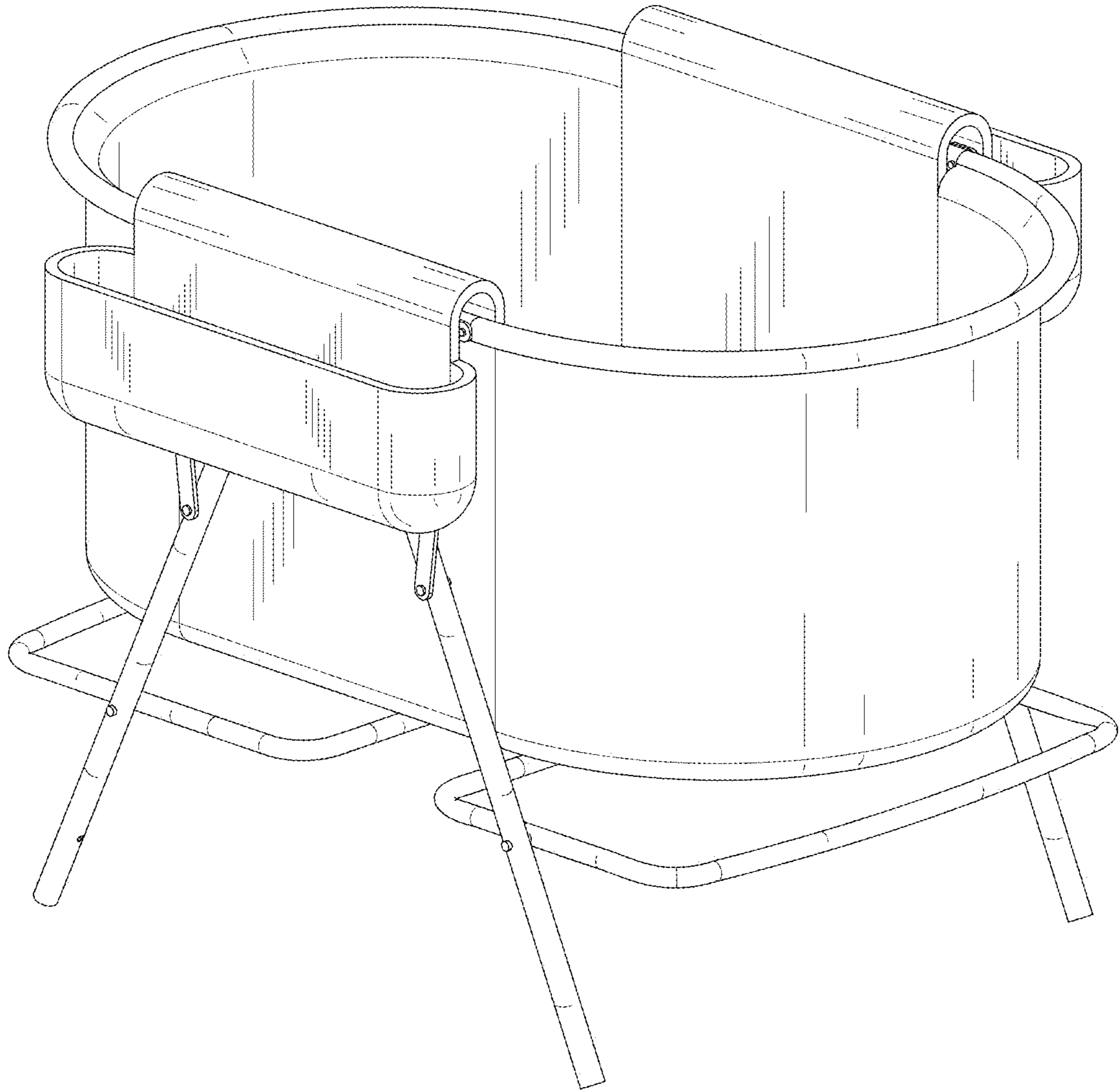


FIG. 3

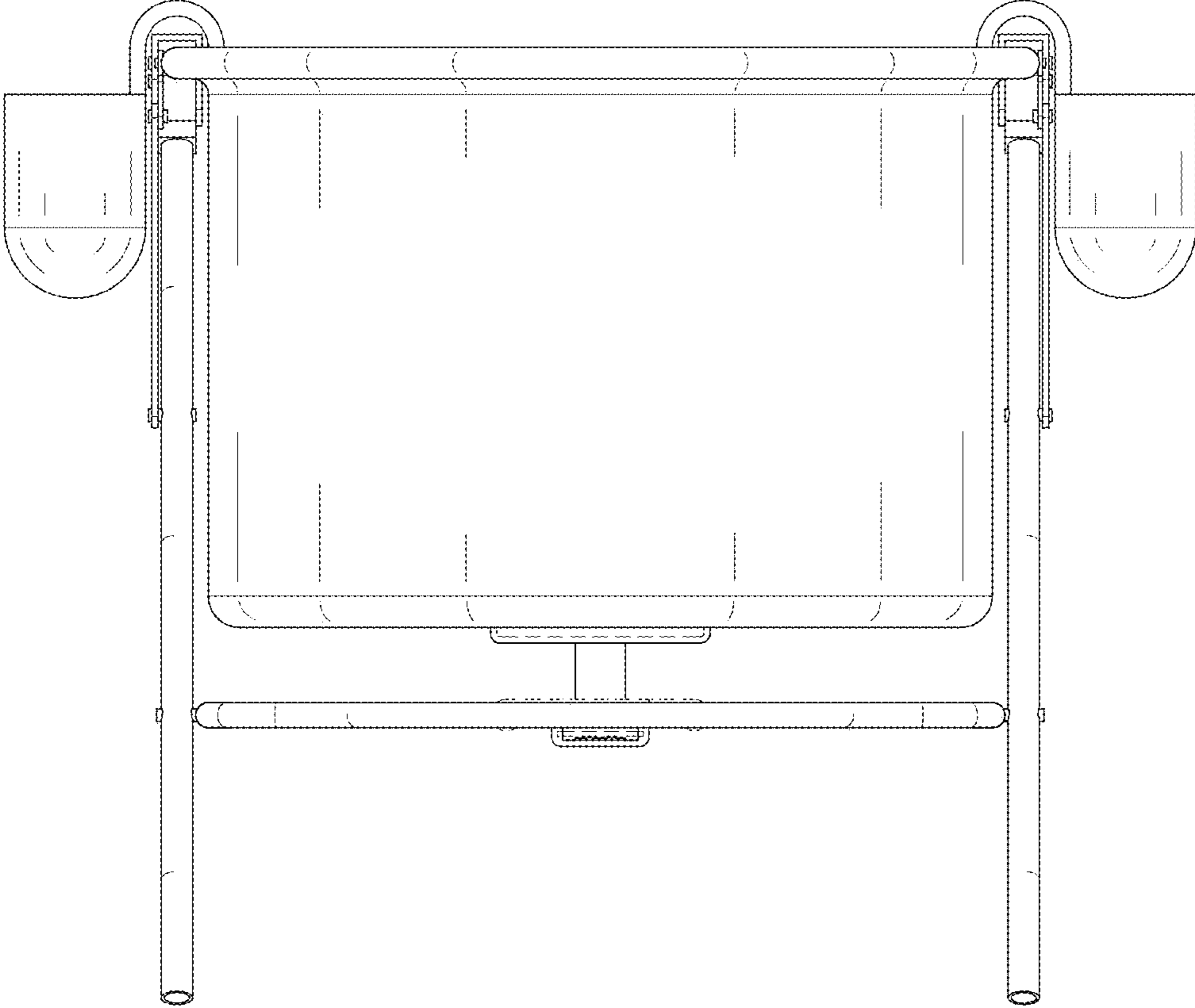


FIG. 4

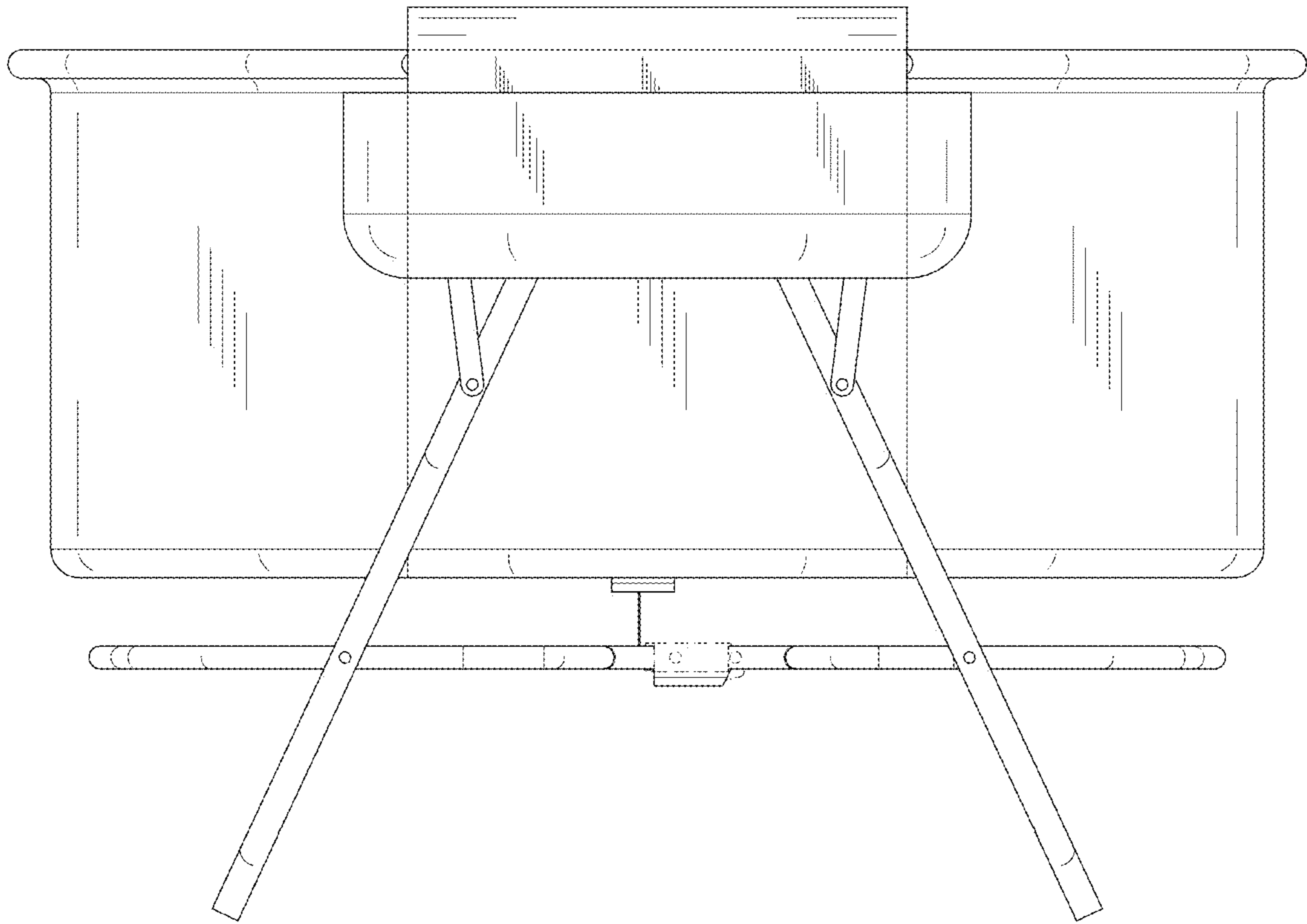


FIG. 5

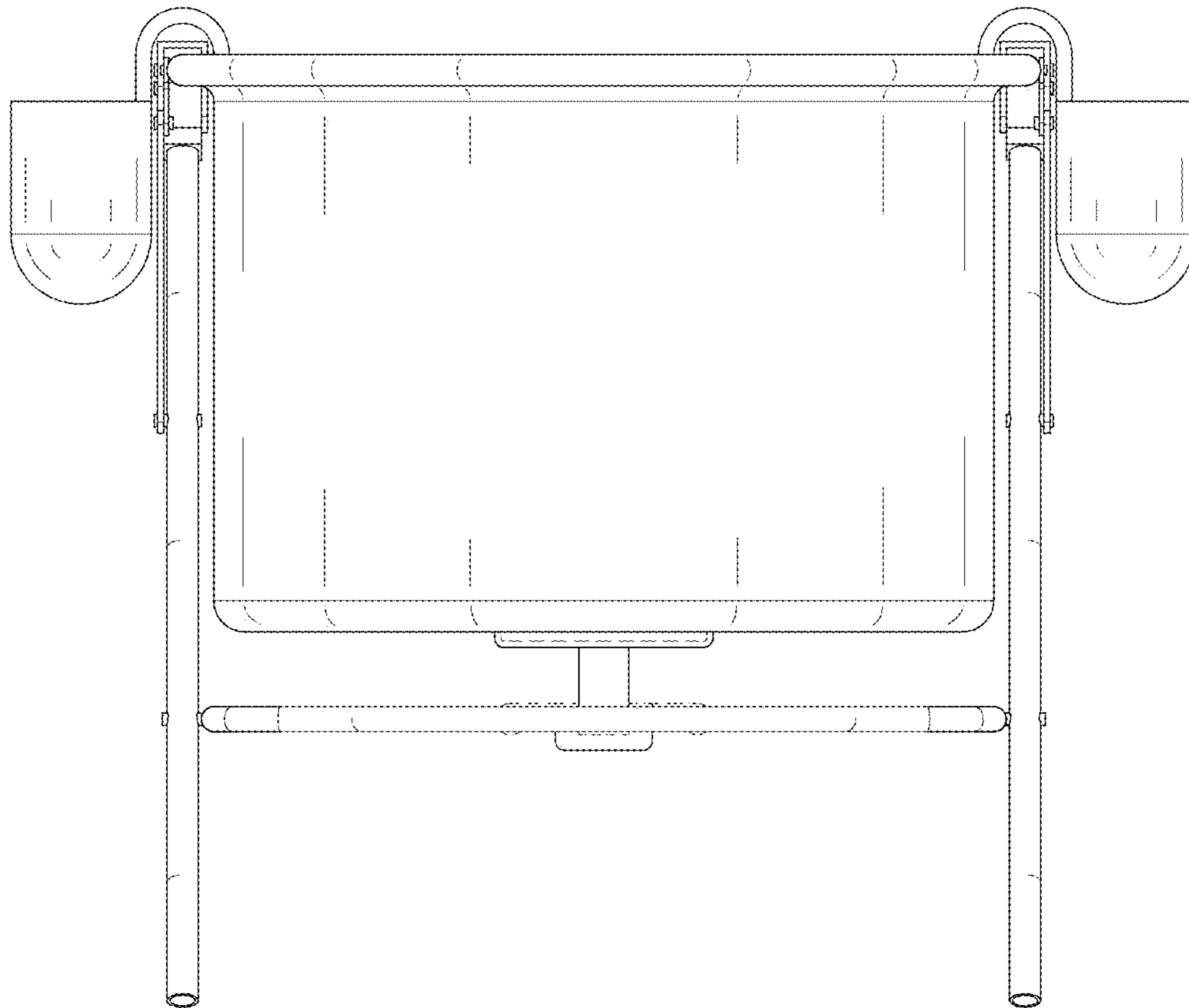


FIG. 6