



US00D940284S

(12) **United States Design Patent** (10) **Patent No.:** **US D940,284 S**
Mu (45) **Date of Patent:** **** Jan. 4, 2022**

(54) **FRAME FOR BASIN**
(71) Applicant: **Mengmeng Mu**, Ningbo (CN)
(72) Inventor: **Mengmeng Mu**, Ningbo (CN)
(**) Term: **15 Years**

7,464,420 B2 * 12/2008 Chen A47D 13/063
5/98.1
D808,698 S * 1/2018 Barenbrug D6/708.16
D826,592 S * 8/2018 Kapanzhi D6/390
2018/0360230 A1 * 12/2018 Tuckey A47D 9/005
2019/0045944 A1 * 2/2019 Yang A47D 7/002
(Continued)

(21) Appl. No.: **29/657,418**
(22) Filed: **Jul. 22, 2018**
(30) **Foreign Application Priority Data**

Jun. 15, 2018 (CN) 201830308511.9

(51) **LOC (13) Cl.** **23-02**
(52) **U.S. Cl.**
USPC **D23/277; D30/158**
(58) **Field of Classification Search**
USPC D30/158, 159, 199; D23/275-278, 303;
119/600, 603, 604, 606, 668, 671, 673,
119/677, 678; D6/390, 391, 392
CPC A01K 13/00; A01K 13/001; A47D 7/002;
A47D 9/005
See application file for complete search history.

(56) **References Cited**

U.S. PATENT DOCUMENTS

D118,113 S * 12/1939 Feldman D23/278
D141,361 S * 5/1945 Deerwester D23/278
2,494,164 A * 1/1950 De Puy A47D 5/006
211/132.1
3,115,364 A * 12/1963 Berlin A47D 1/00
297/130
5,193,234 A * 3/1993 Joaquin A47D 7/002
5/99.1
5,934,641 A * 8/1999 Vince A47D 9/02
248/165
5,974,601 A * 11/1999 Drane A47K 3/001
4/539
6,588,033 B1 * 7/2003 Welsh, Jr. A47D 7/002
5/93.1

OTHER PUBLICATIONS

“Standing Boat One-Second Fold Bath Tub” available Jun. 24, 2019, [online], [site visited May 13, 2020]. Retrieved from Internet, URL: https://web.archive.org/web/20190624110224/http://www.standingboat.com/P_view.asp?pid=1 (Year: 2019).*

(Continued)

Primary Examiner — Michael C Stout
Assistant Examiner — Katrina N Gonzalez
(74) *Attorney, Agent, or Firm* — Raymond Y. Chan;
David and Raymond Patent Firm

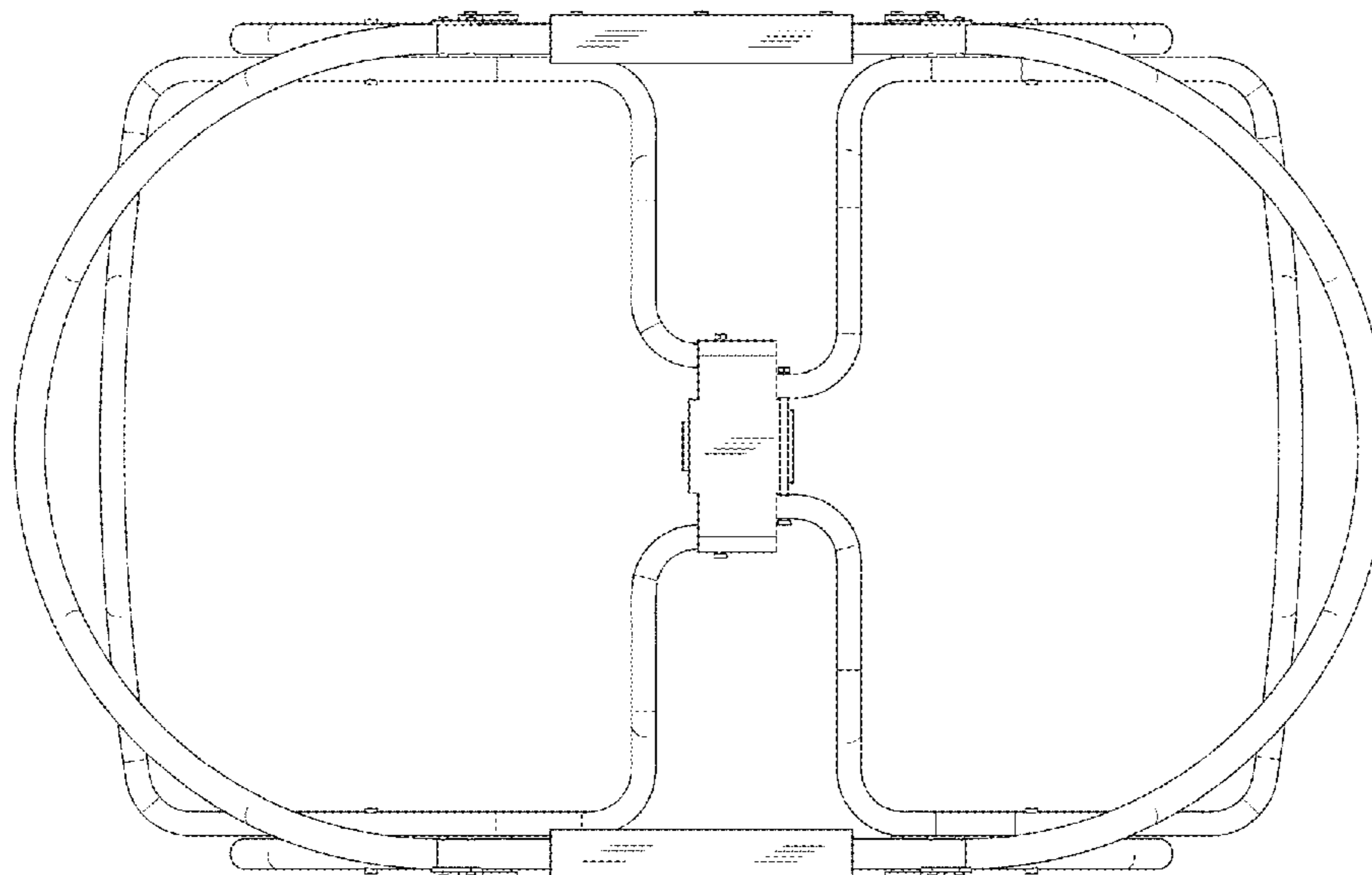
(57) **CLAIM**

The ornamental design for a frame for basin, as shown and described.

DESCRIPTION

FIG. 1 is a top plan view of a frame for a basin, showing my new design in an unfolded configuration of use;
FIG. 2 is a rear view thereof;
FIG. 3 is a perspective view thereof;
FIG. 4 is a bottom view thereof;
FIG. 5 is a right side view thereof;
FIG. 6 is another perspective view thereof, but shown in folded configuration;
FIG. 7 is a front view of FIG. 1; and,
FIG. 8 is a left side view thereof.
The broken lines illustrate portions of the frame for basin that forms no part of the claimed design.

1 Claim, 8 Drawing Sheets



(56)

References Cited

U.S. PATENT DOCUMENTS

2019/0375539 A1* 12/2019 Mu A01K 13/001
2019/0375546 A1* 12/2019 Mu B65D 25/24

OTHER PUBLICATIONS

“Furesh Elevated Folding Dog Bath Tub” available Mar. 17, 2020, [online], [site visited May 13, 2020]. Retrieved from Internet, URL:https://www.amazon.com/Furesh-Elevated-Grooming-Foldable-Portable/product-reviews/B0858ZL2P1/ref=cm_cr_getr_d_paging_btm_next_3 (Year: 2020).*

“Standing Boat Elevated Folding Pet Bath Tub and Wash Station” available Nov. 19, 2018, [online], [site visited May 13, 2020], Retrieved from Internet, URL:https://www.amazon.com/gp/product/B07J321KRP/ref=as_li_ss_tl?ie=UTF8&linkCode=II1&tag=thereajather-20&linkId=fa803c31559ba95fad502e78b2ccb654 (Year: 2018).*

* cited by examiner

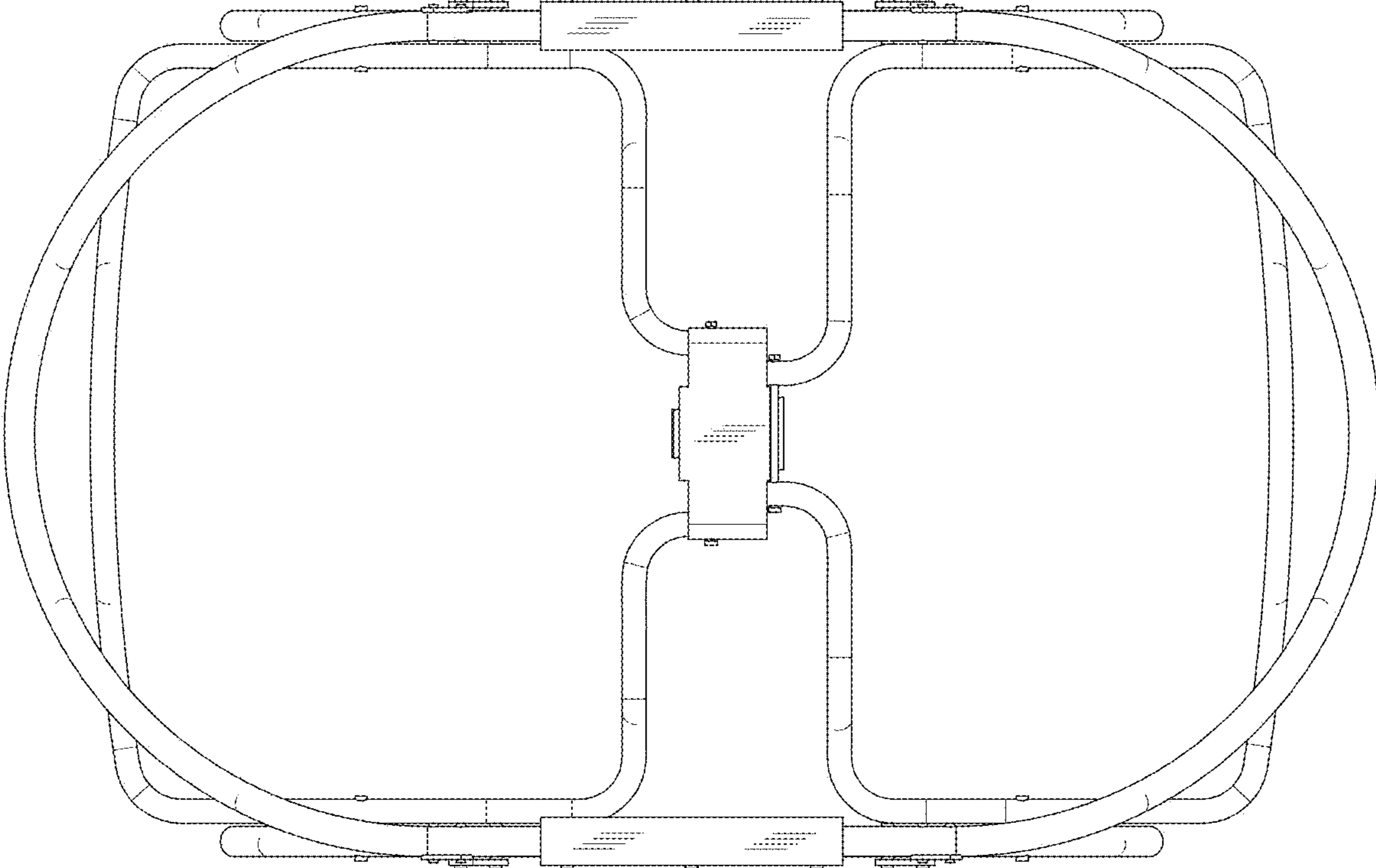


FIG. 1

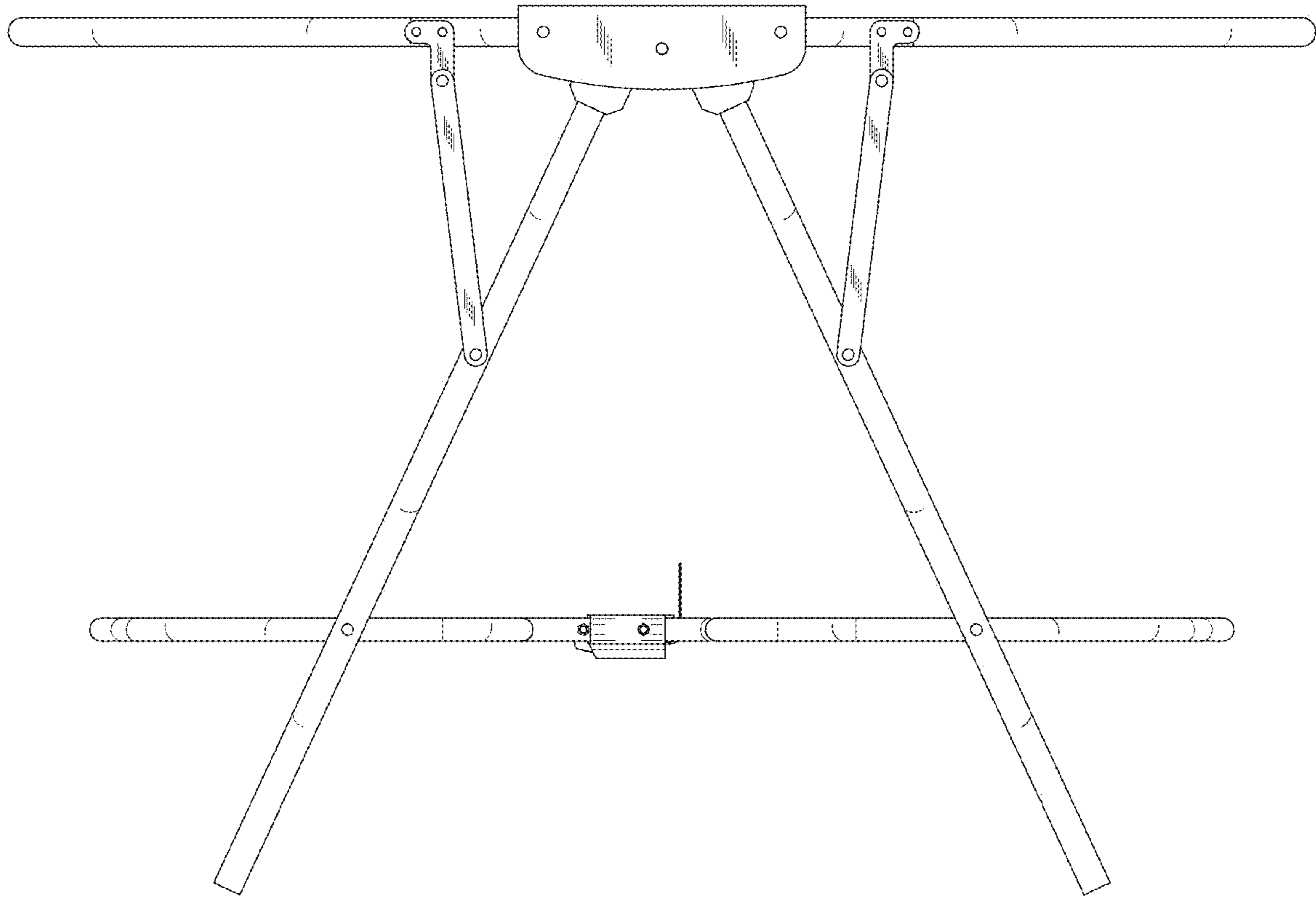


FIG. 2

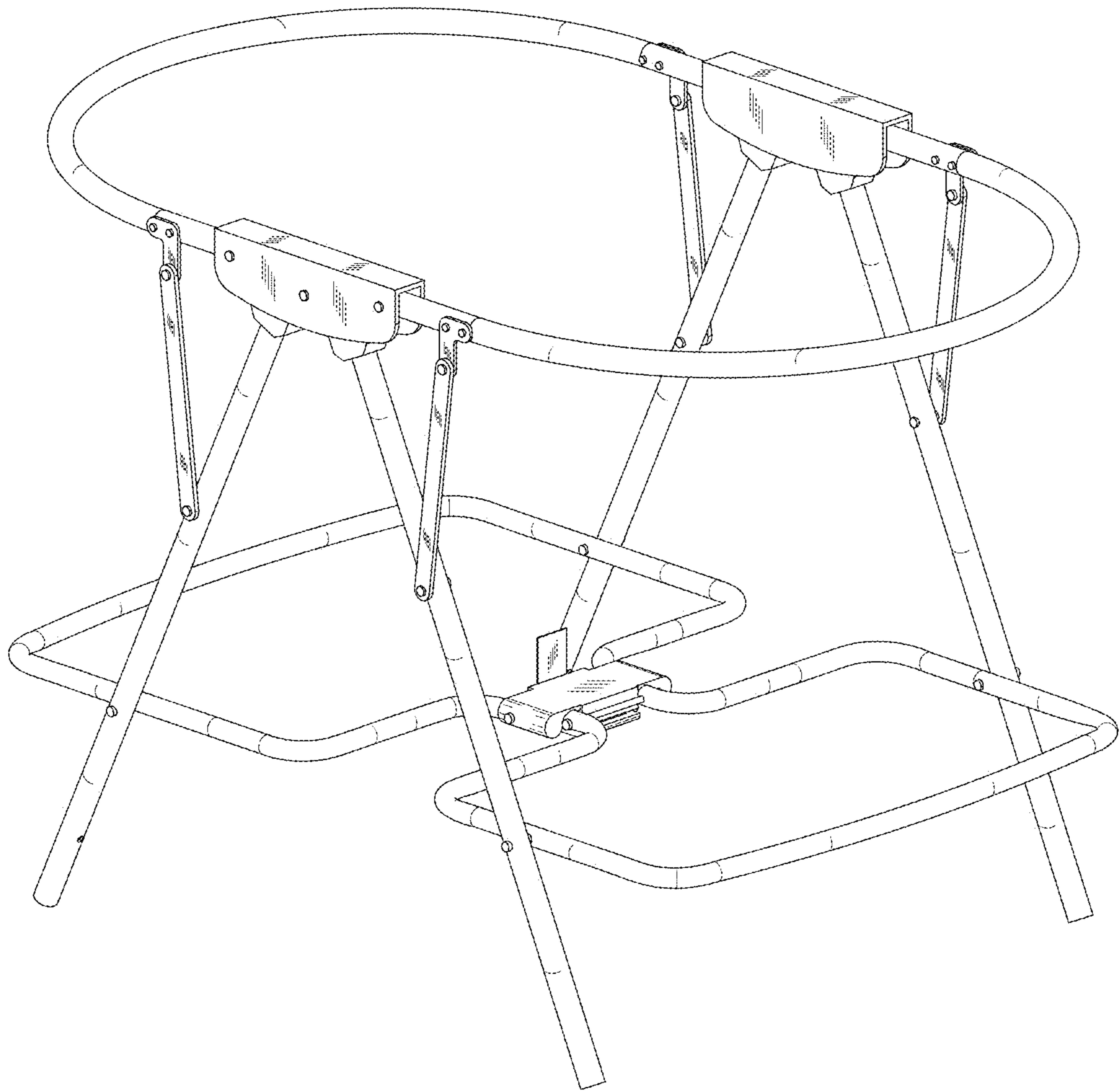


FIG. 3

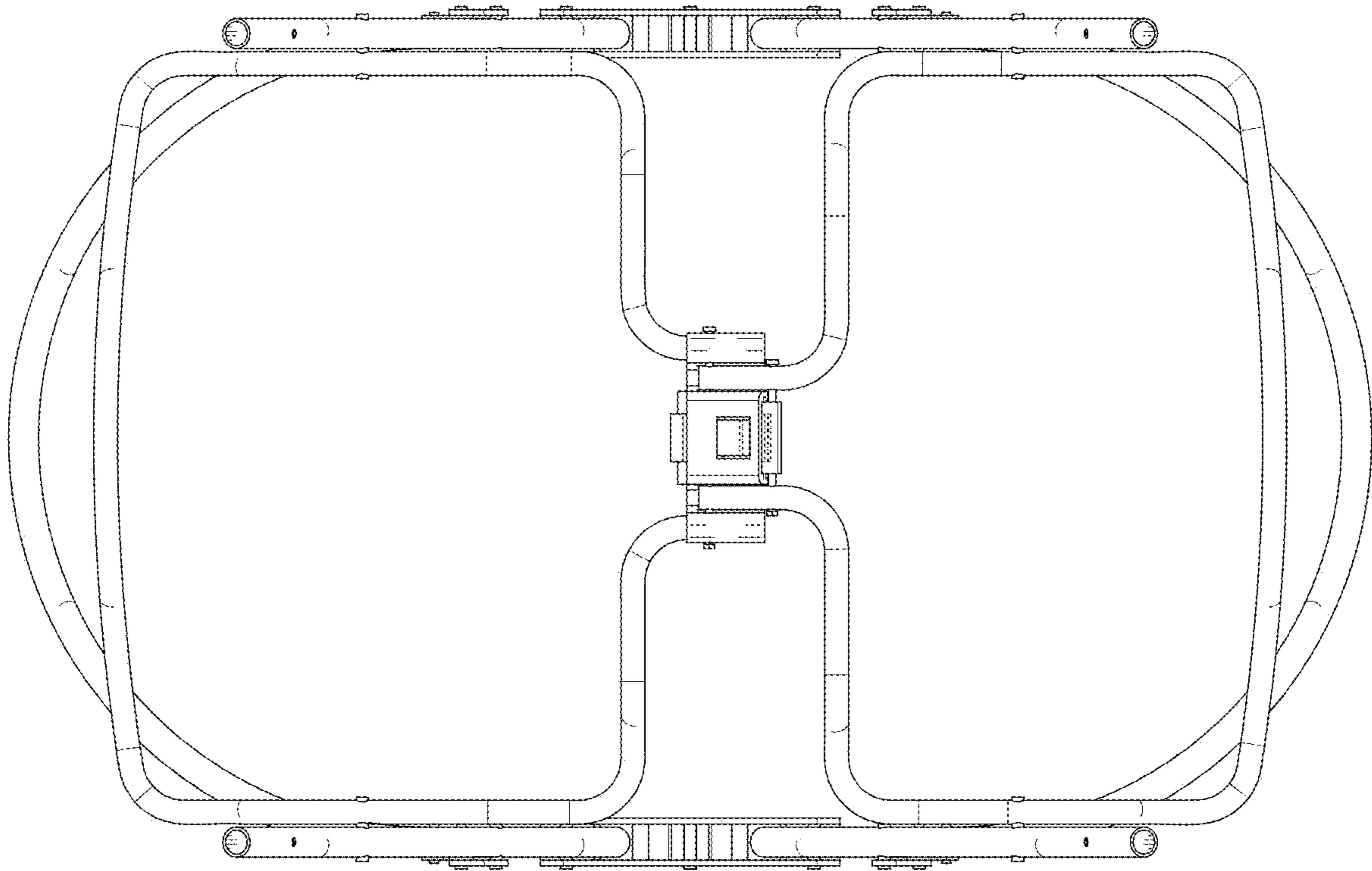


FIG. 4

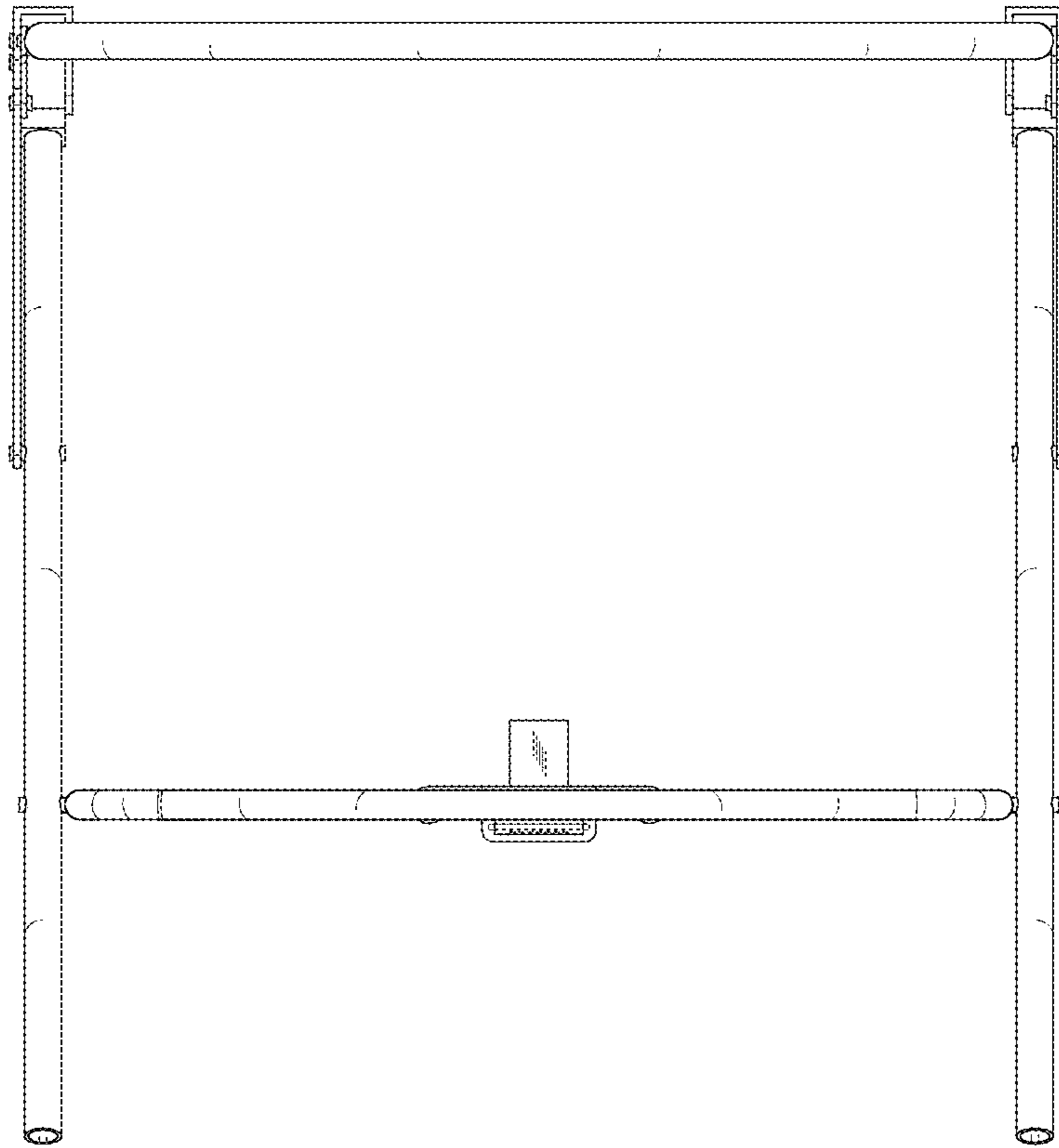


FIG. 5

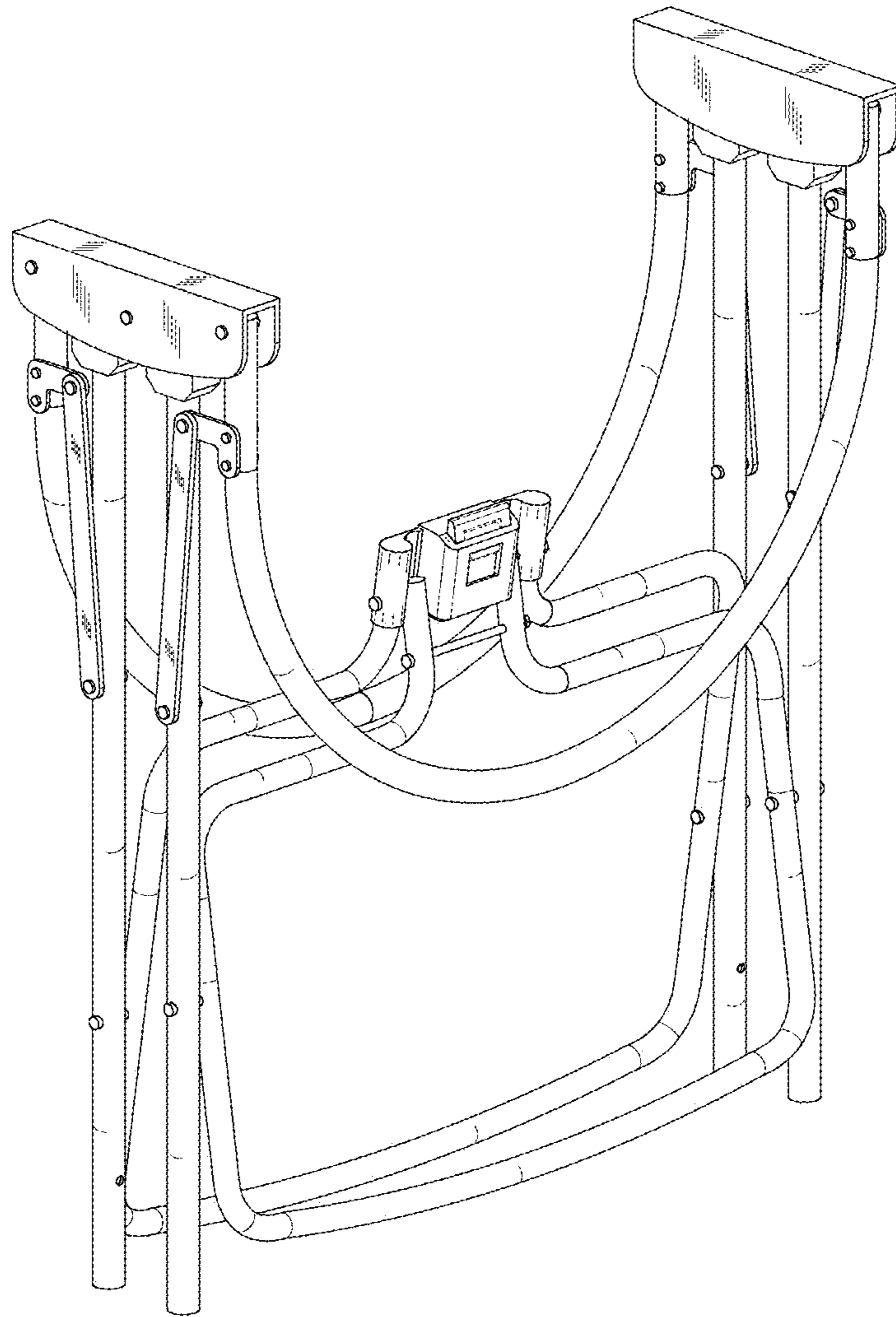


FIG. 6

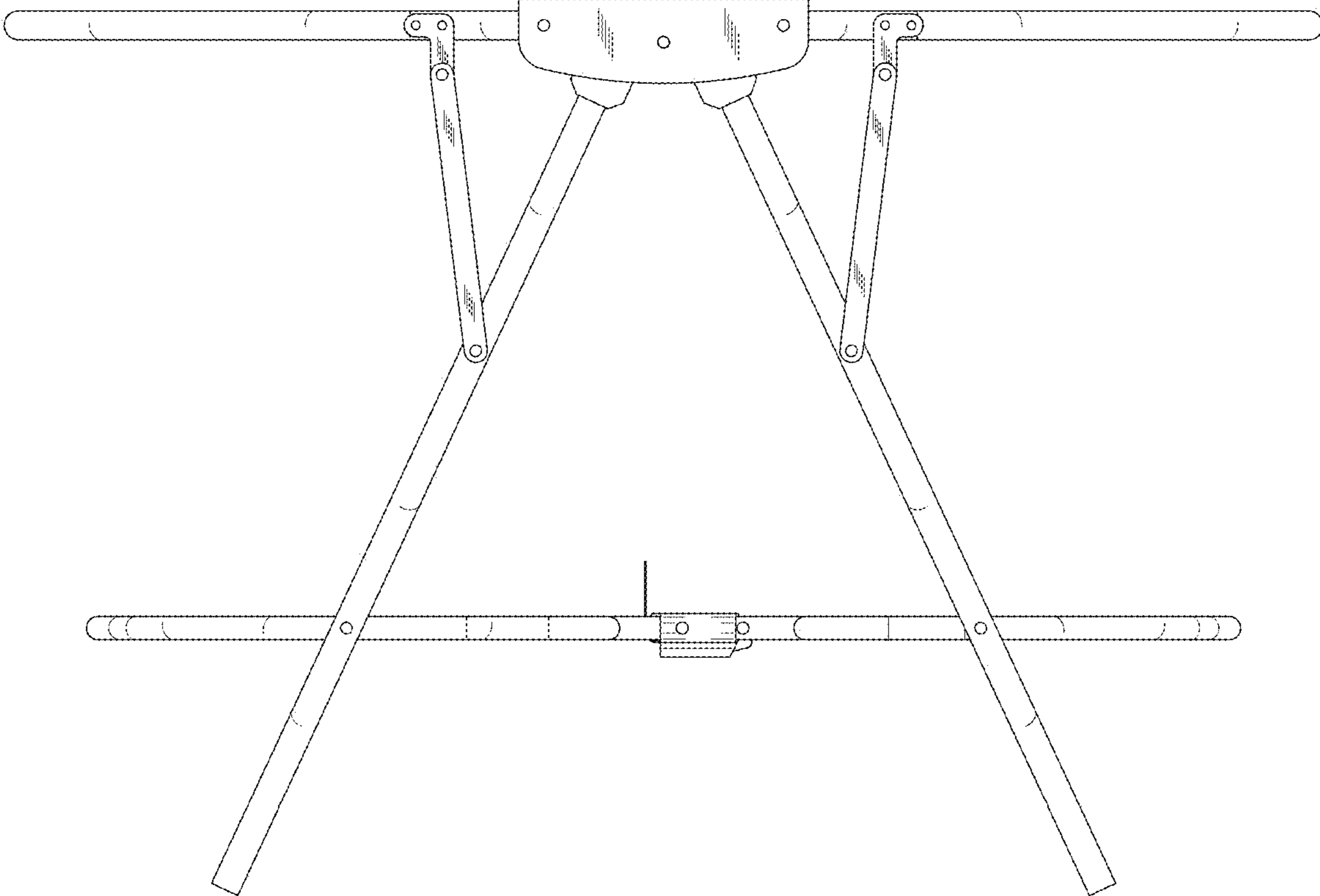


FIG. 7

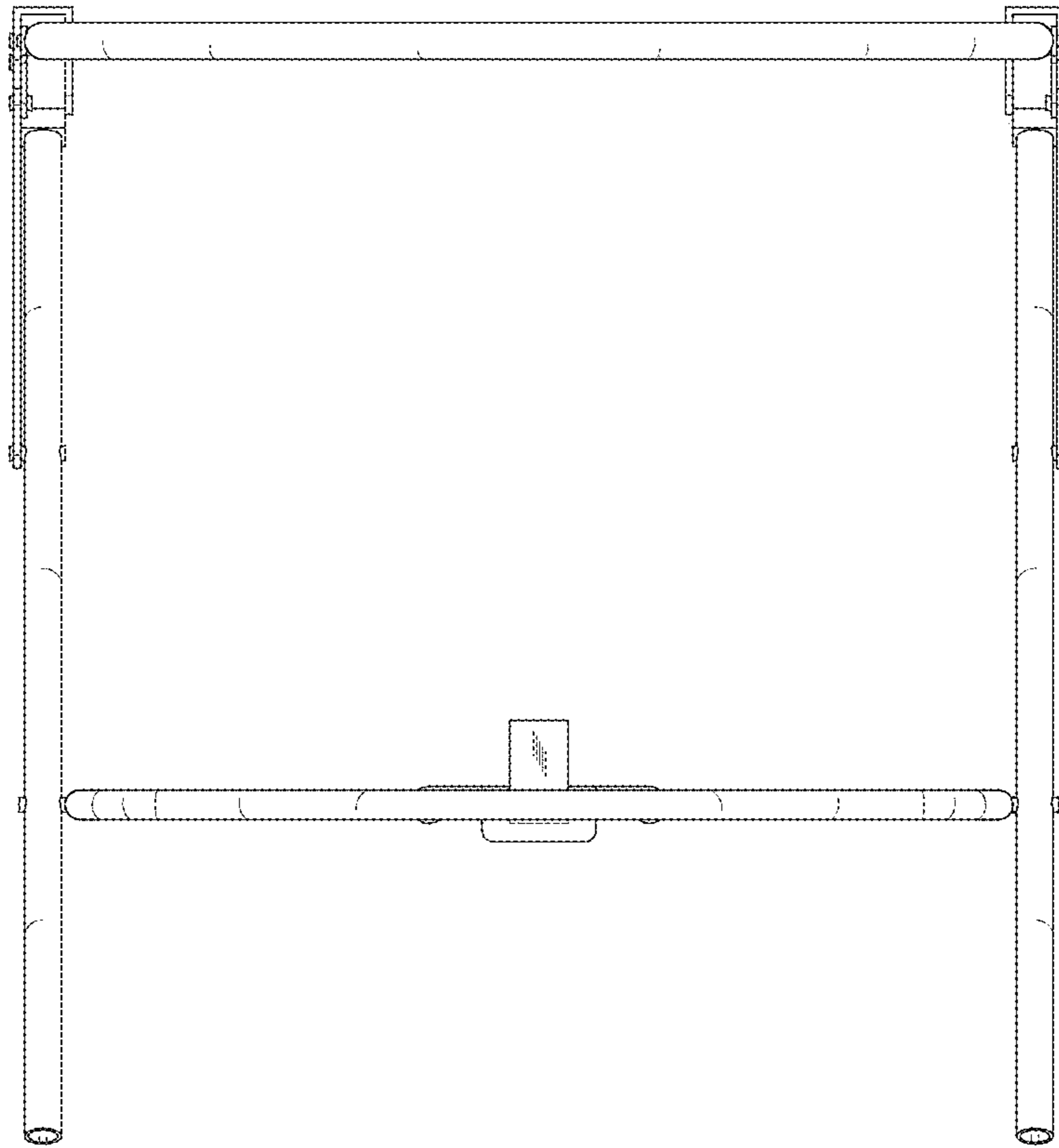


FIG. 8