



US00D940282S

(12) **United States Design Patent**
Bahler

(10) **Patent No.:** **US D940,282 S**

(45) **Date of Patent:** **** Jan. 4, 2022**

(54) **FAUCET HANDLE**

(71) Applicant: **DELTA FAUCET COMPANY,**
Indianapolis, IN (US)

(72) Inventor: **Jordan Bahler,** Frankfort, IN (US)

(73) Assignee: **DELTA FAUCET COMPANY,**
Indianapolis, IN (US)

(**) Term: **15 Years**

(21) Appl. No.: **29/711,625**

(22) Filed: **Nov. 1, 2019**

(51) **LOC (13) Cl.** **23-01**

(52) **U.S. Cl.**
USPC **D23/253**

(58) **Field of Classification Search**
USPC D23/238–243, 249–250, 252–254, 245;
D8/312
CPC E03C 1/042
See application file for complete search history.

(56) **References Cited**

U.S. PATENT DOCUMENTS

D291,053 S * 7/1987 Decursu D8/310
D370,054 S * 5/1996 Nakadaira D23/245

D372,658 S * 8/1996 Decursu D8/312
D474,832 S * 5/2003 Ripkey D23/245
D494,660 S * 8/2004 Herring D23/253
D526,883 S * 8/2006 Gilbert D8/312
D705,892 S * 5/2014 Standefer D23/252
D777,008 S * 1/2017 Nesbitt D8/312
D862,662 S * 10/2019 Kulig D23/253
D862,663 S * 10/2019 Kulig D23/253
D912,780 S * 3/2021 Levi D23/242

* cited by examiner

Primary Examiner — Robert A Delehanty

(74) *Attorney, Agent, or Firm* — Nirav D. Parikh; Edgar A. Zarins

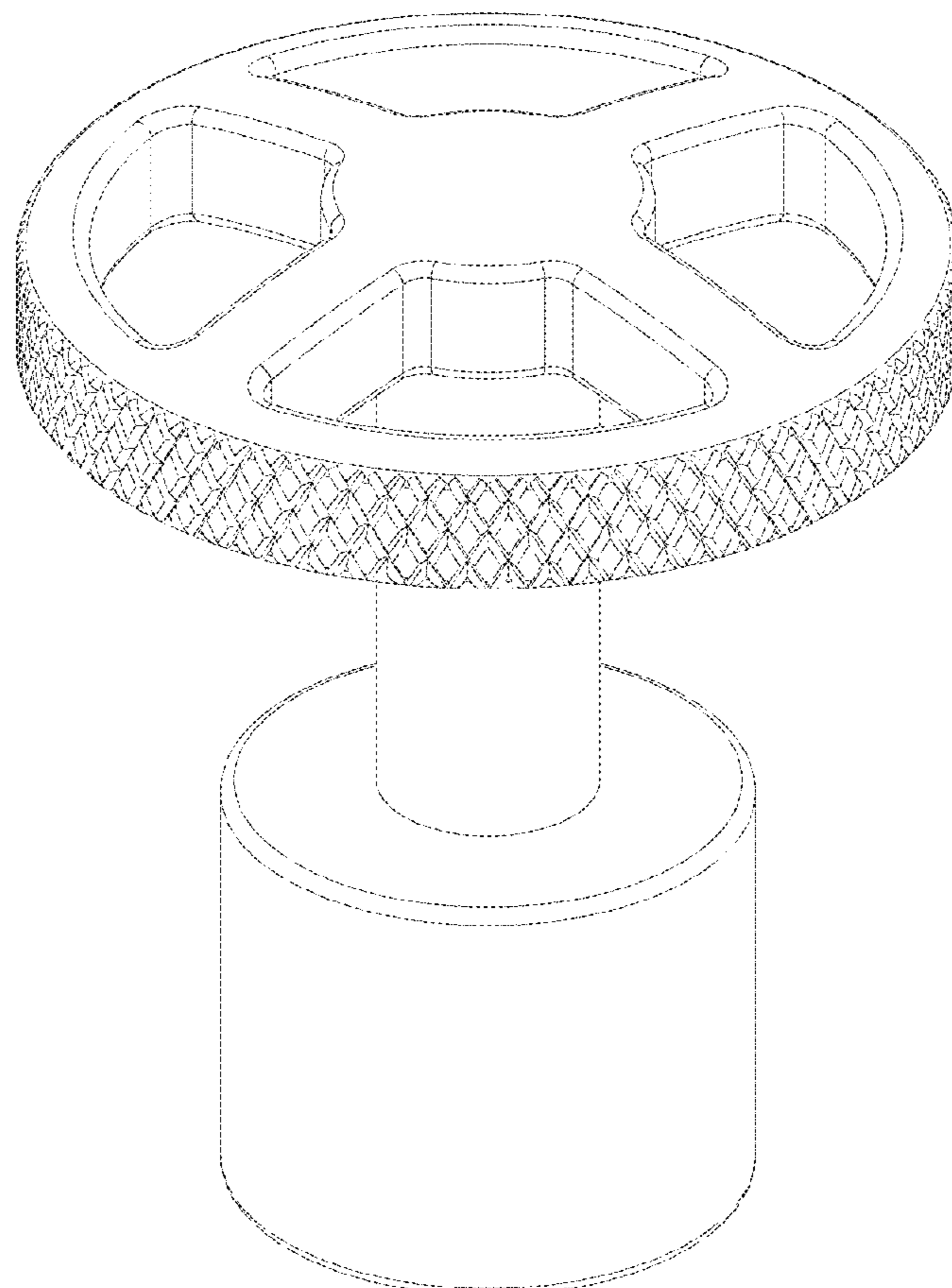
(57) **CLAIM**

The ornamental design for a faucet handle, as shown and described.

DESCRIPTION

FIG. 1 is a front perspective view of a faucet handle showing my new design;
FIG. 2 is a rear perspective view thereof;
FIG. 3 is a front elevational view thereof;
FIG. 4 is a left side view thereof;
FIG. 5 is a rear view thereof;
FIG. 6 is a right side view thereof; and,
FIG. 7 is a top plan view thereof.

1 Claim, 4 Drawing Sheets



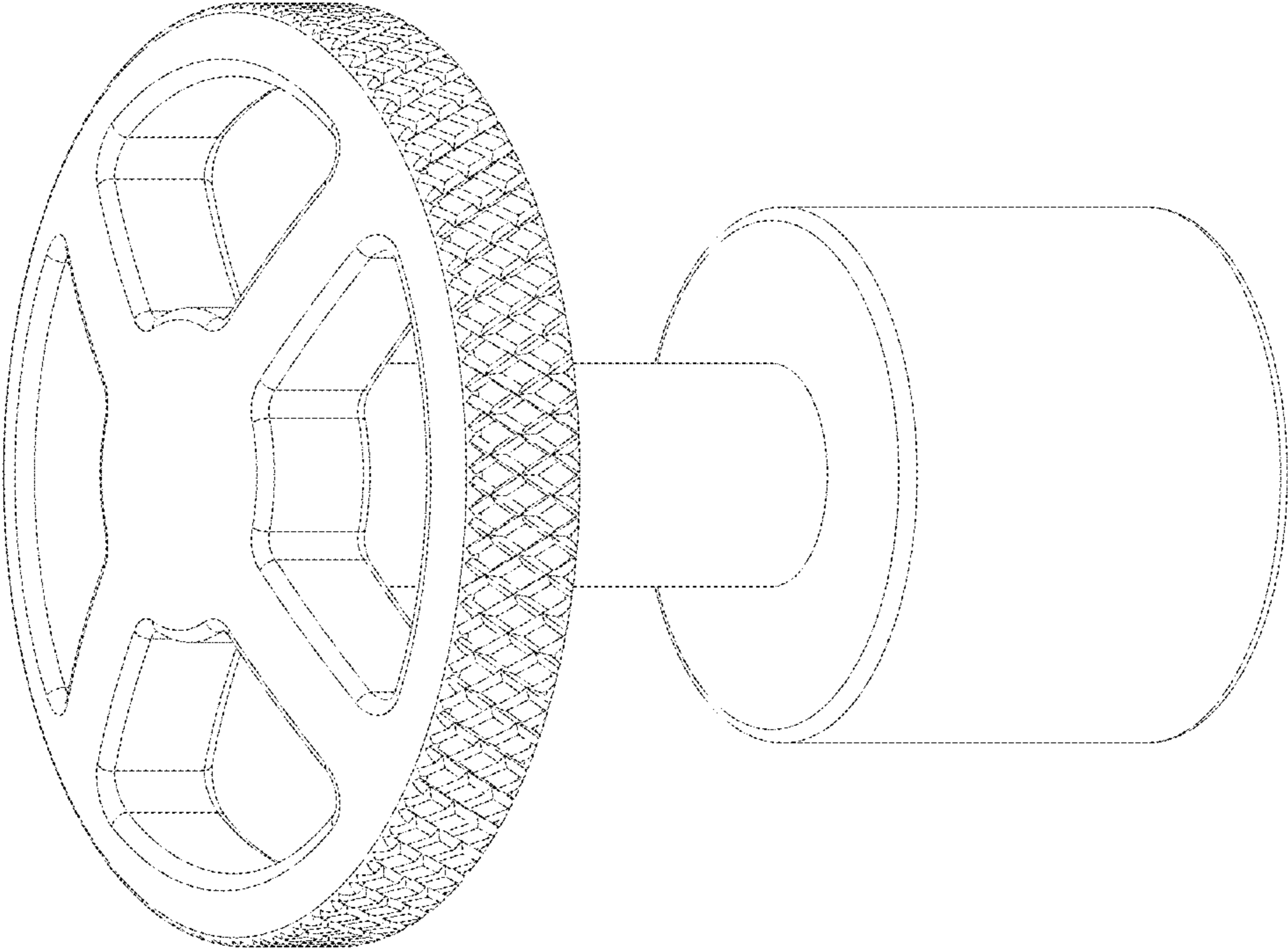


FIG - 1

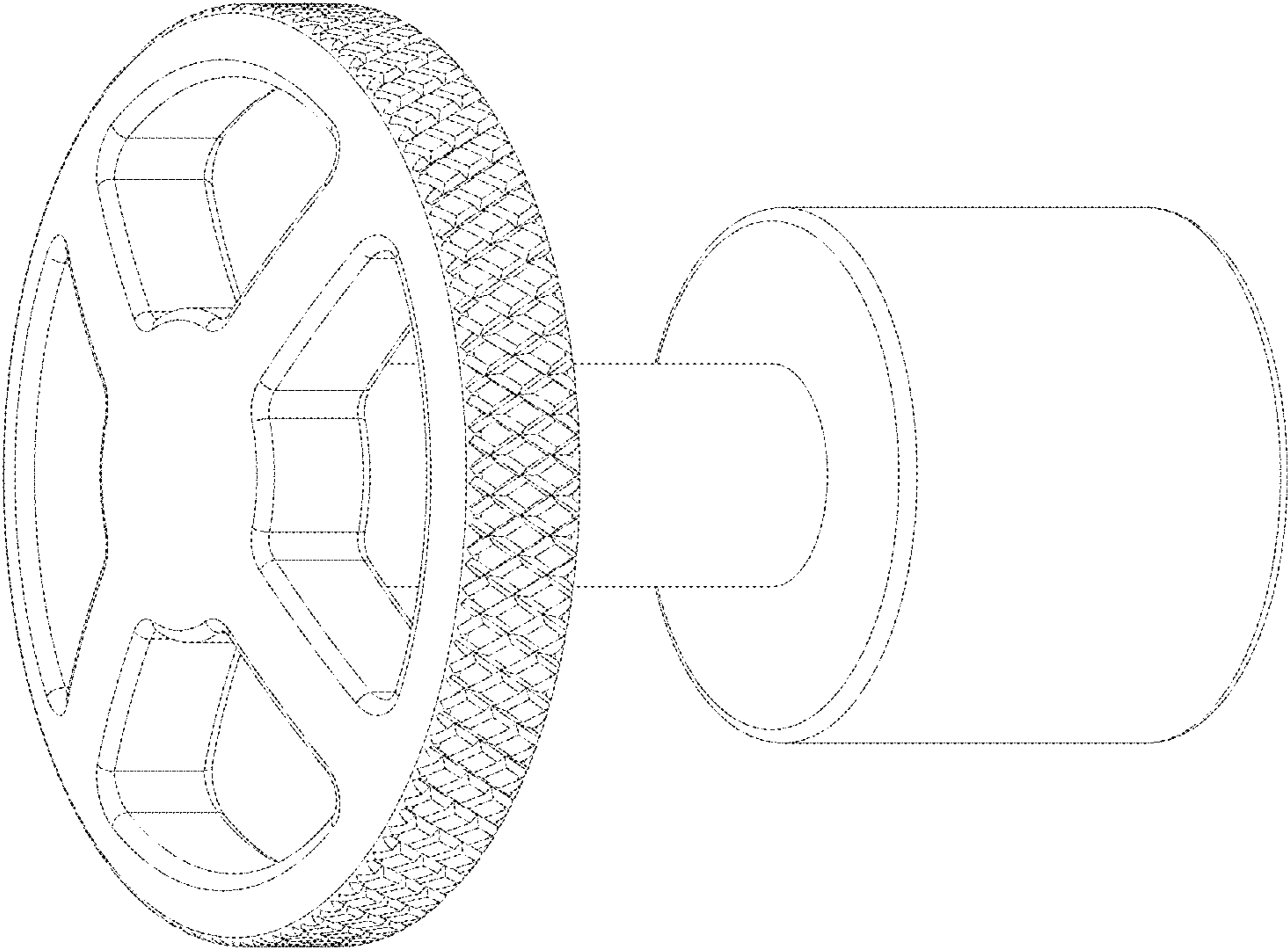


FIG - 2

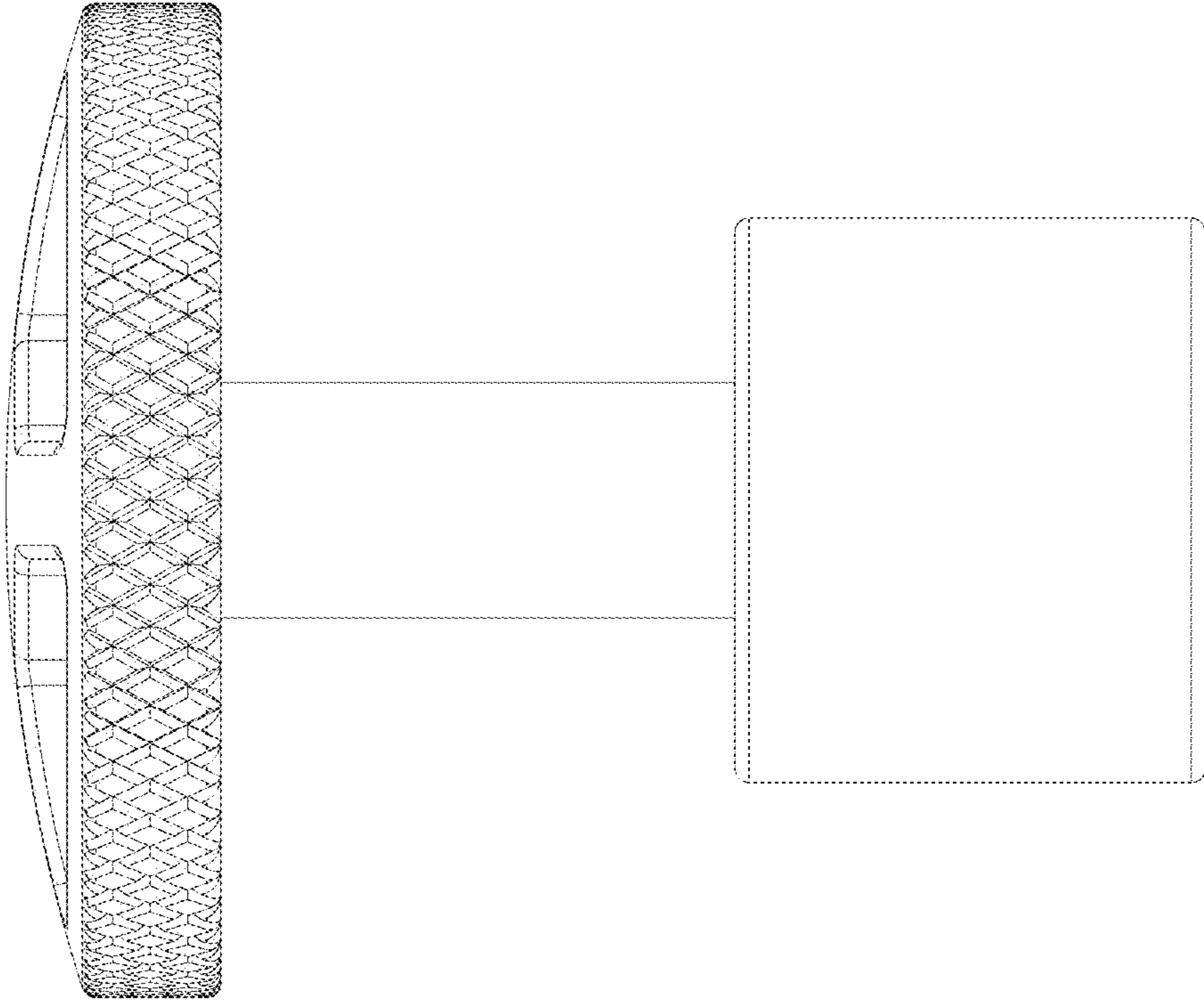


FIG - 4

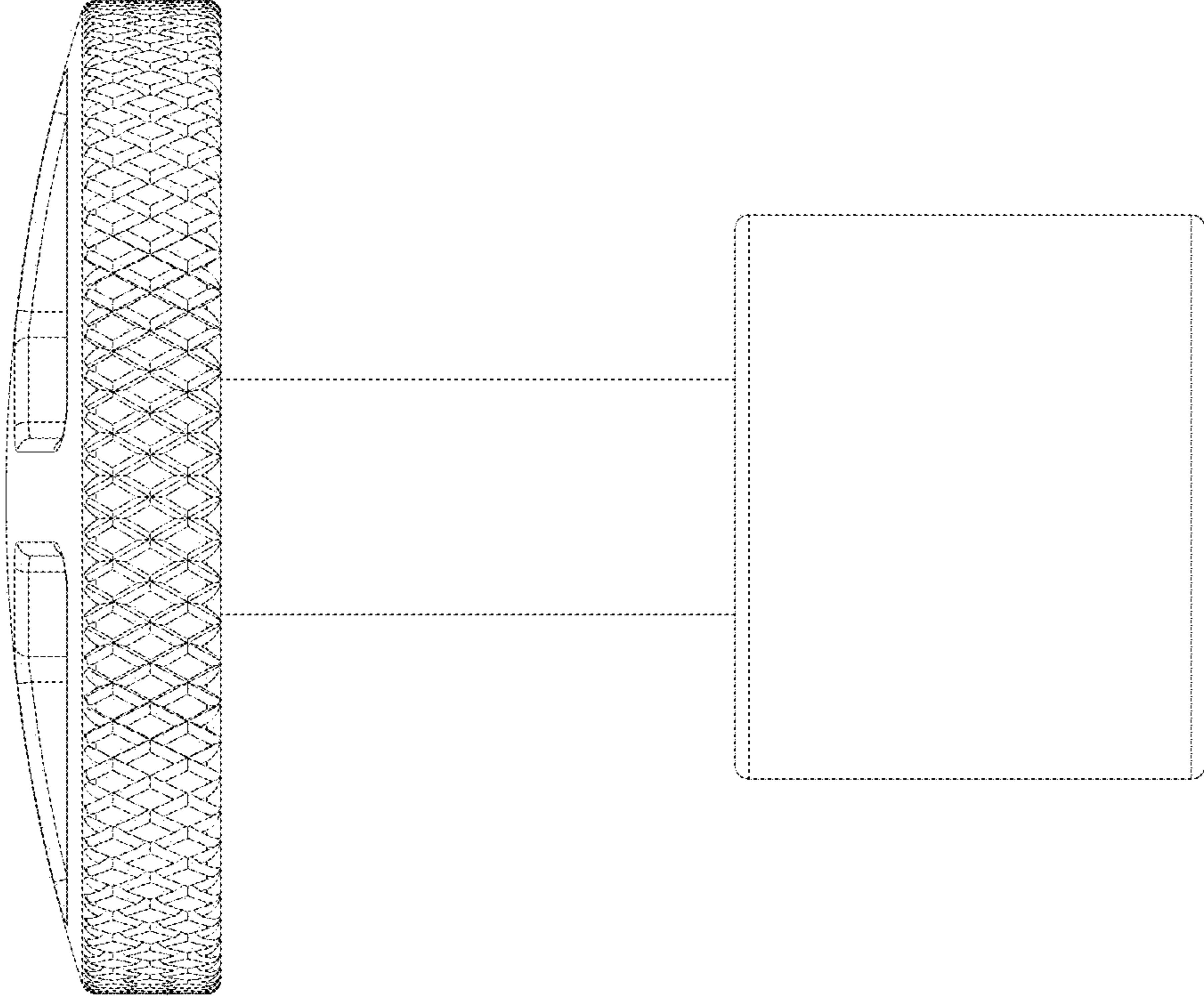


FIG - 3

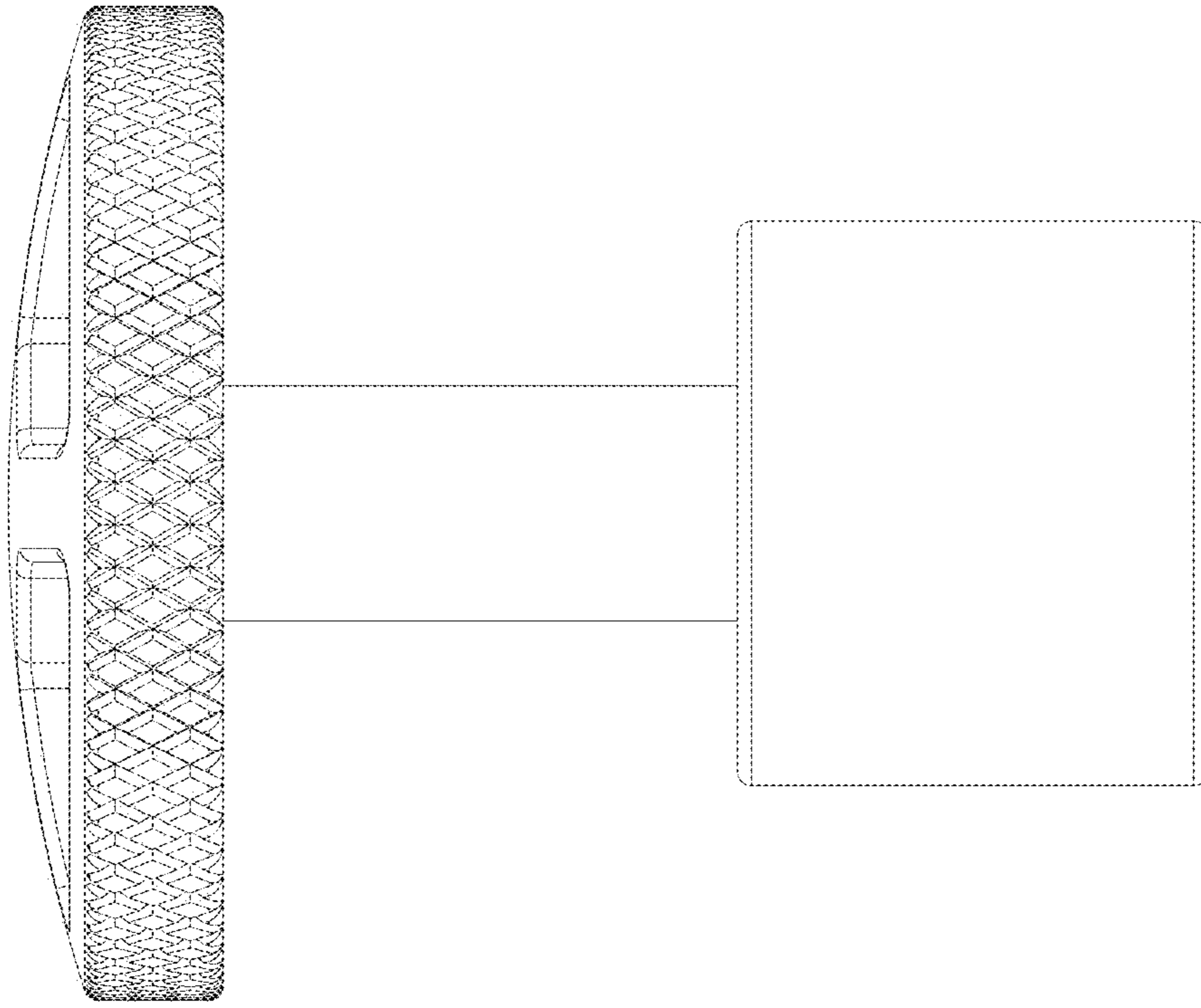


FIG - 6

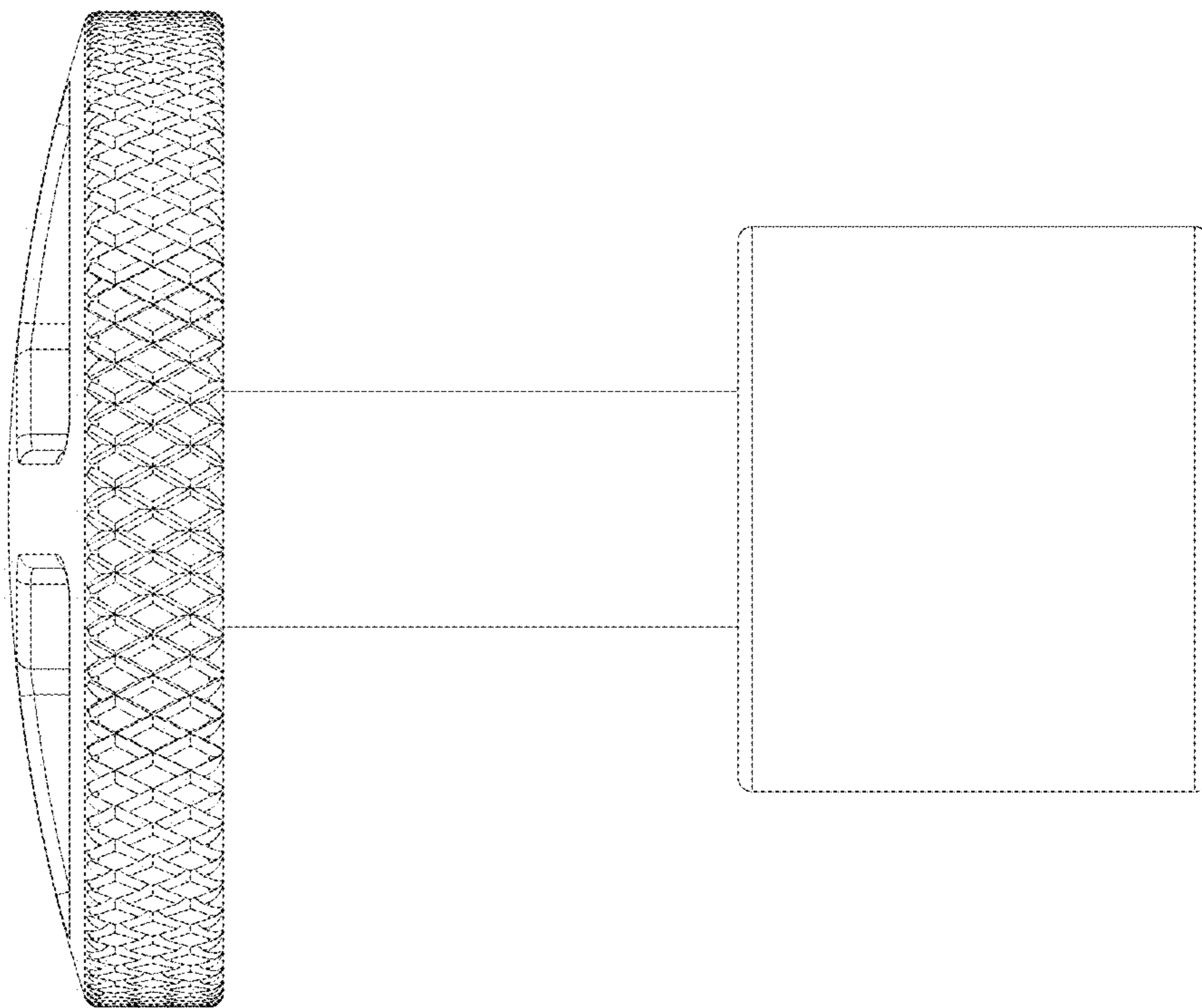


FIG - 5

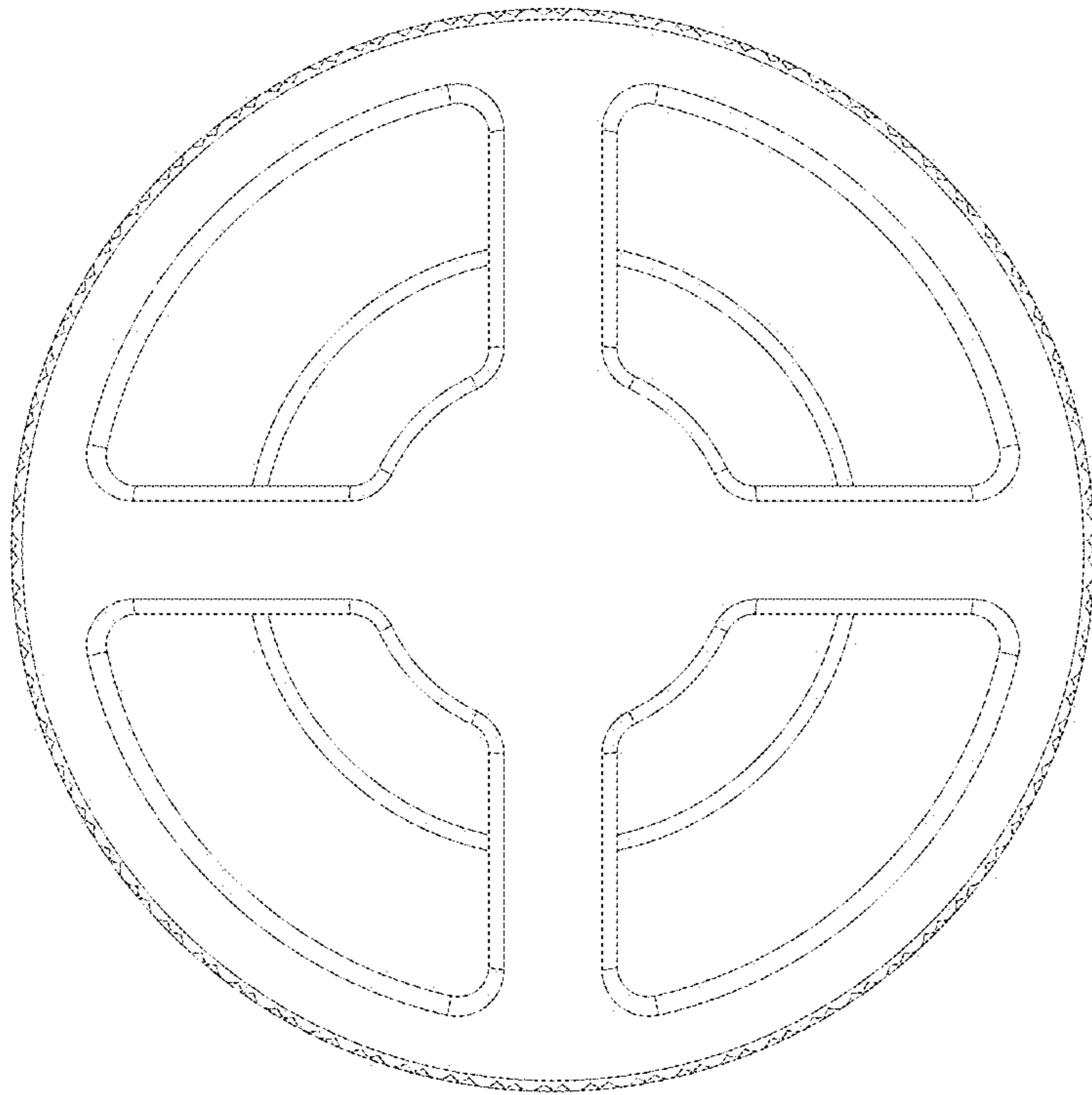


FIG - 7