



US00D940281S

(12) **United States Design Patent**
Yang

(10) **Patent No.:** **US D940,281 S**

(45) **Date of Patent:** **** Jan. 4, 2022**

(54) **HANDLE**

10,683,646 B2 * 6/2020 Pei E03C 1/0401
D912,775 S * 3/2021 Yang D23/238
D921,159 S * 6/2021 Yang D23/238

(71) Applicant: **Xingying Yang**, Wuchuan (CN)

* cited by examiner

(72) Inventor: **Xingying Yang**, Wuchuan (CN)

Primary Examiner — Robert A Delehanty

(**) Term: **15 Years**

(74) *Attorney, Agent, or Firm* — Rमित Ranjit Kanakia

(21) Appl. No.: **29/711,087**

(57) **CLAIM**

(22) Filed: **Oct. 29, 2019**

I claim the ornamental design for a handle, as shown and described.

(51) **LOC (13) Cl.** **23-01**

DESCRIPTION

(52) **U.S. Cl.**

USPC **D23/252**

(58) **Field of Classification Search**

USPC D23/238–243, 250, 252, 254;
D8/307–308

FIG. 1 is a Perspective view of a handle showing my new design;

FIG. 2 is a Front view thereof;

FIG. 3 is a Back view thereof;

FIG. 4 is a Right-side view thereof;

FIG. 5 is a Left-side view thereof;

FIG. 6 is a Top view thereof; and,

FIG. 7 is a Bottom view thereof.

See application file for complete search history.

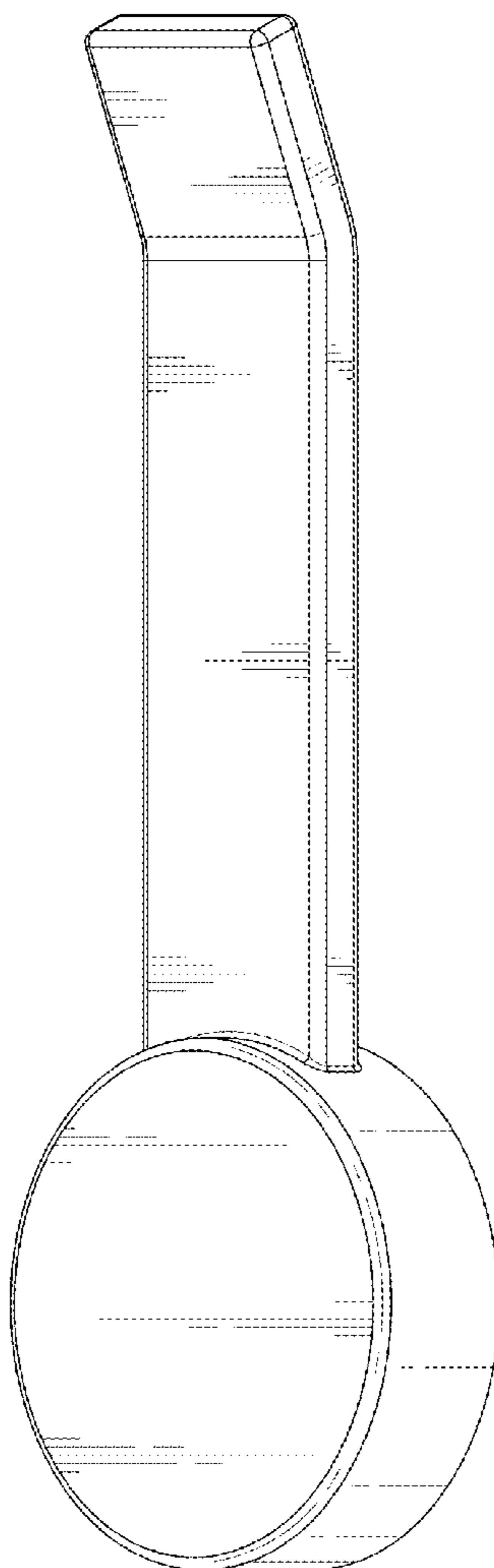
The broken lines are only for environmental purposes and form no part of the claimed design.

(56) **References Cited**

U.S. PATENT DOCUMENTS

D366,519 S * 1/1996 Lobermeier D23/252
D472,611 S * 4/2003 Piatt D23/252

1 Claim, 6 Drawing Sheets



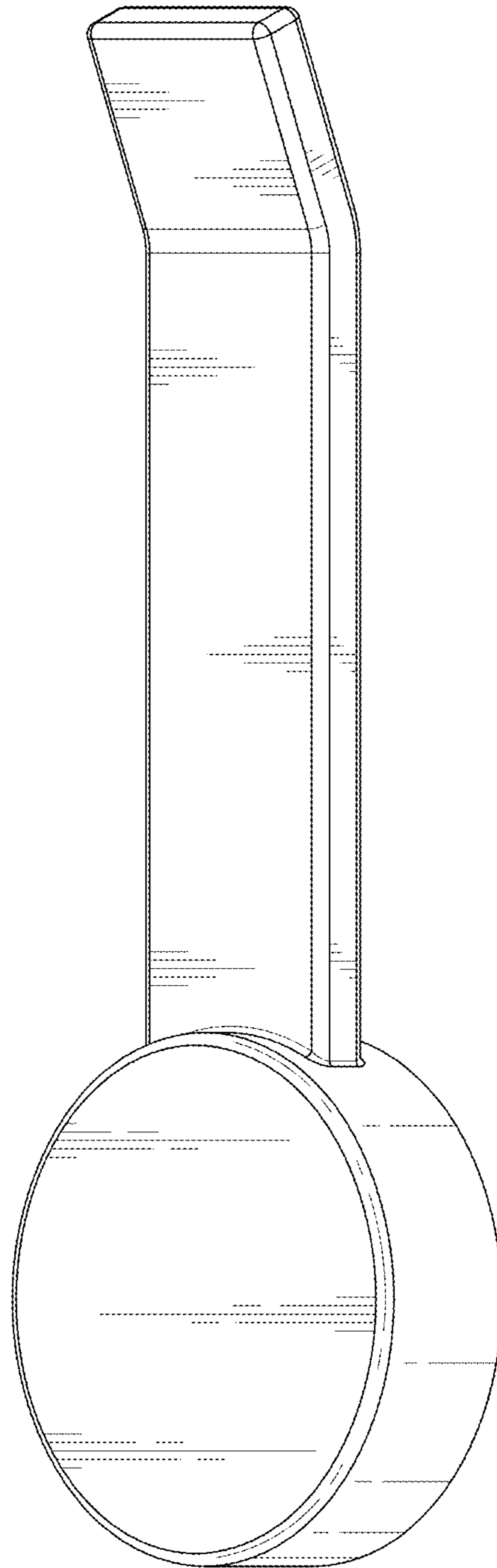


FIG. 1

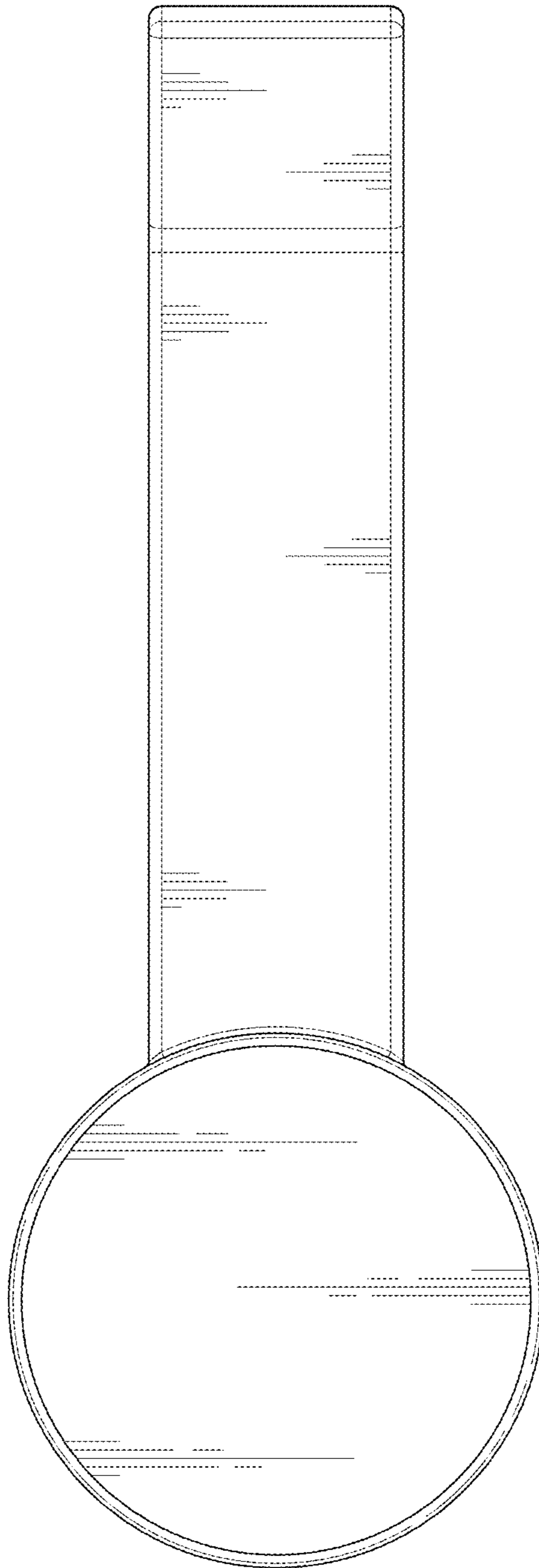


FIG. 2

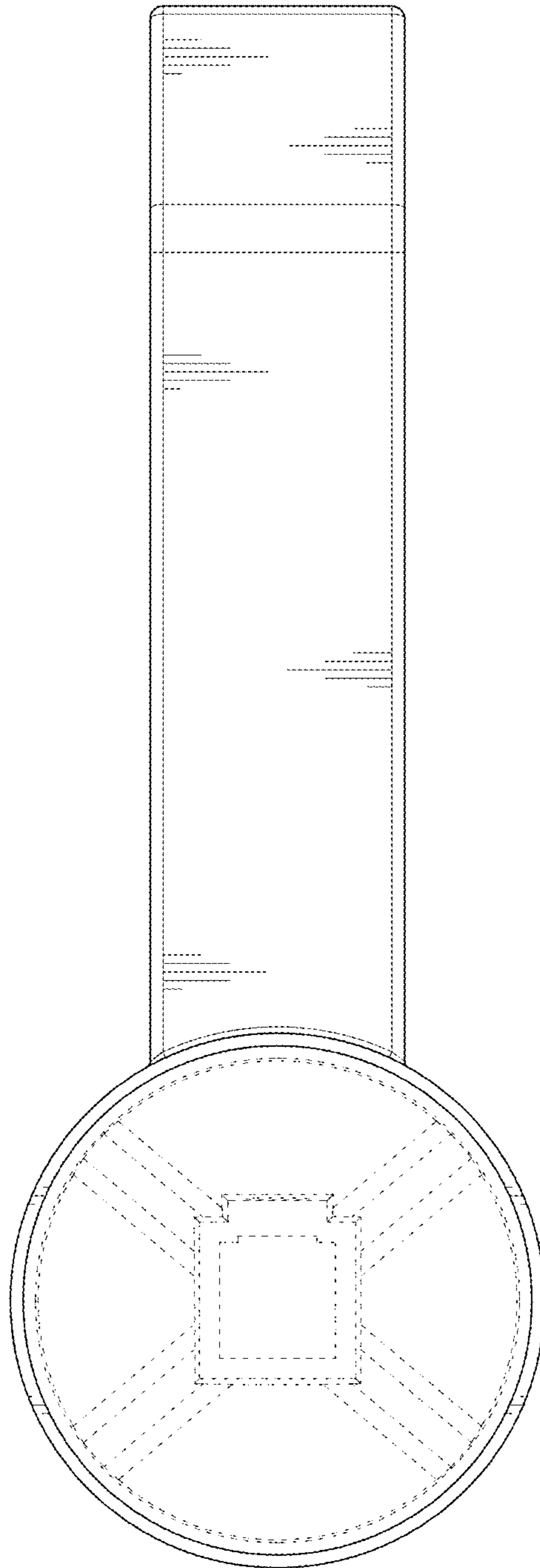


FIG. 3

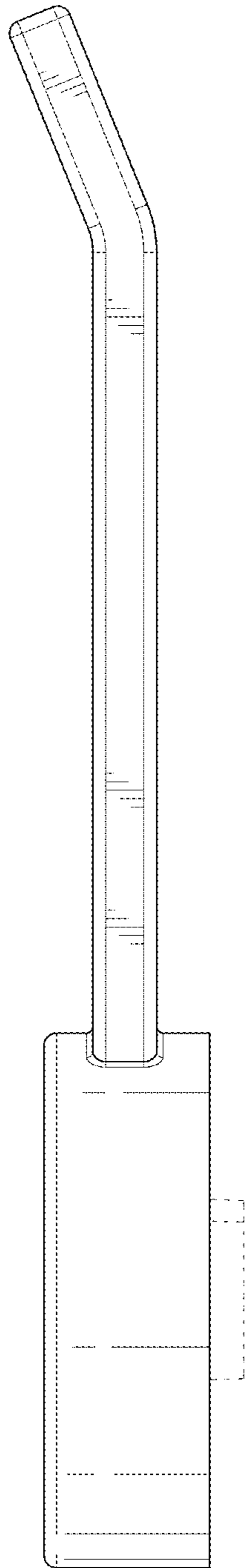


FIG. 4

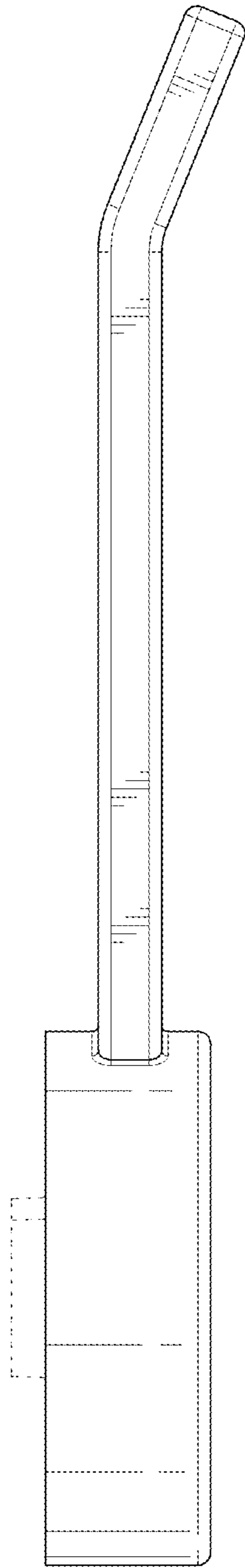


FIG. 5

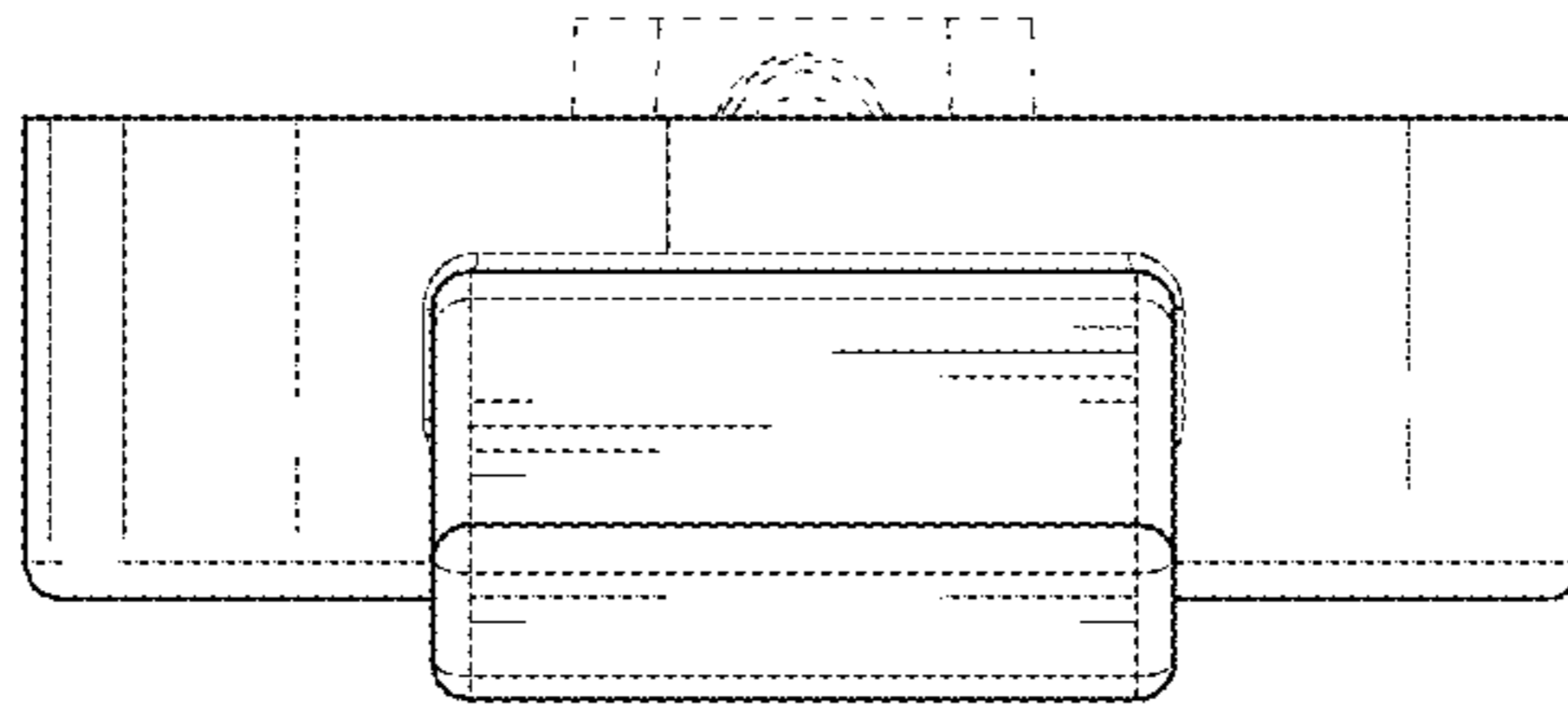


FIG. 6

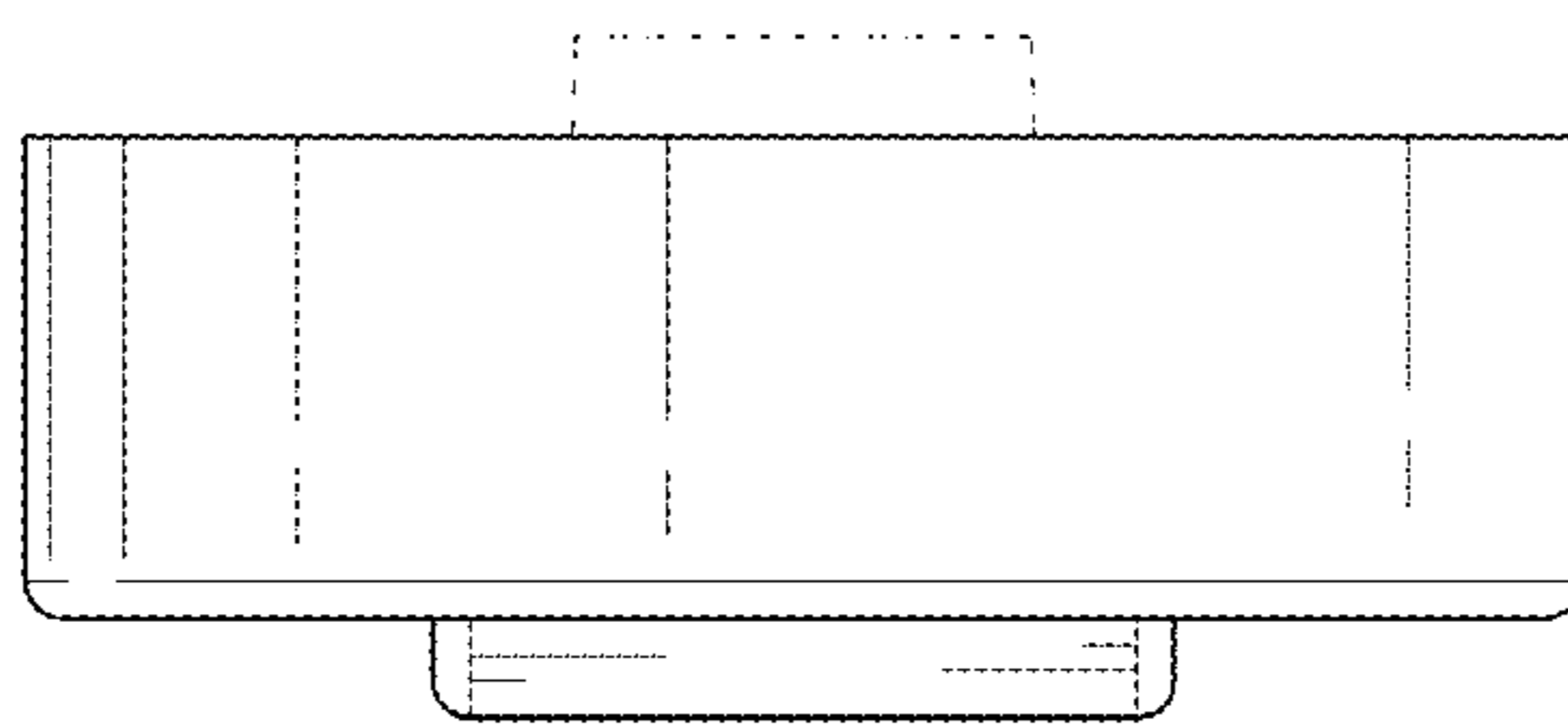


FIG. 7