



US00D940280S

(12) **United States Design Patent**
Liang

(10) **Patent No.:** **US D940,280 S**

(45) **Date of Patent:** **** Jan. 4, 2022**

(54) **FAUCET HANDLE**

D907,745 S * 1/2021 Stoler D23/252
D923,146 S * 6/2021 Yang D23/238

(71) Applicant: **Shufeng Liang**, Guangzhou (CN)

* cited by examiner

(72) Inventor: **Shufeng Liang**, Guangzhou (CN)

Primary Examiner — Robert A Delehanty

(**) Term: **15 Years**

(74) *Attorney, Agent, or Firm* — Runit Ranjit Kanakia

(21) Appl. No.: **29/709,325**

(57) **CLAIM**

I claim the ornamental design for a faucet handle, as shown and described.

(22) Filed: **Oct. 14, 2019**

DESCRIPTION

(51) **LOC (13) Cl.** **23-01**

(52) **U.S. Cl.**
USPC **D23/252**

(58) **Field of Classification Search**
USPC D23/238–243, 250, 252, 254;
D8/307–308

See application file for complete search history.

FIG. 1 is a Perspective view of a faucet handle showing my new design;
FIG. 2 is a Front view thereof;
FIG. 3 is a Back view thereof;
FIG. 4 is a Right-side view thereof;
FIG. 5 is a Left-side view thereof;
FIG. 6 is a Top view thereof; and,
FIG. 7 is a Bottom view thereof.

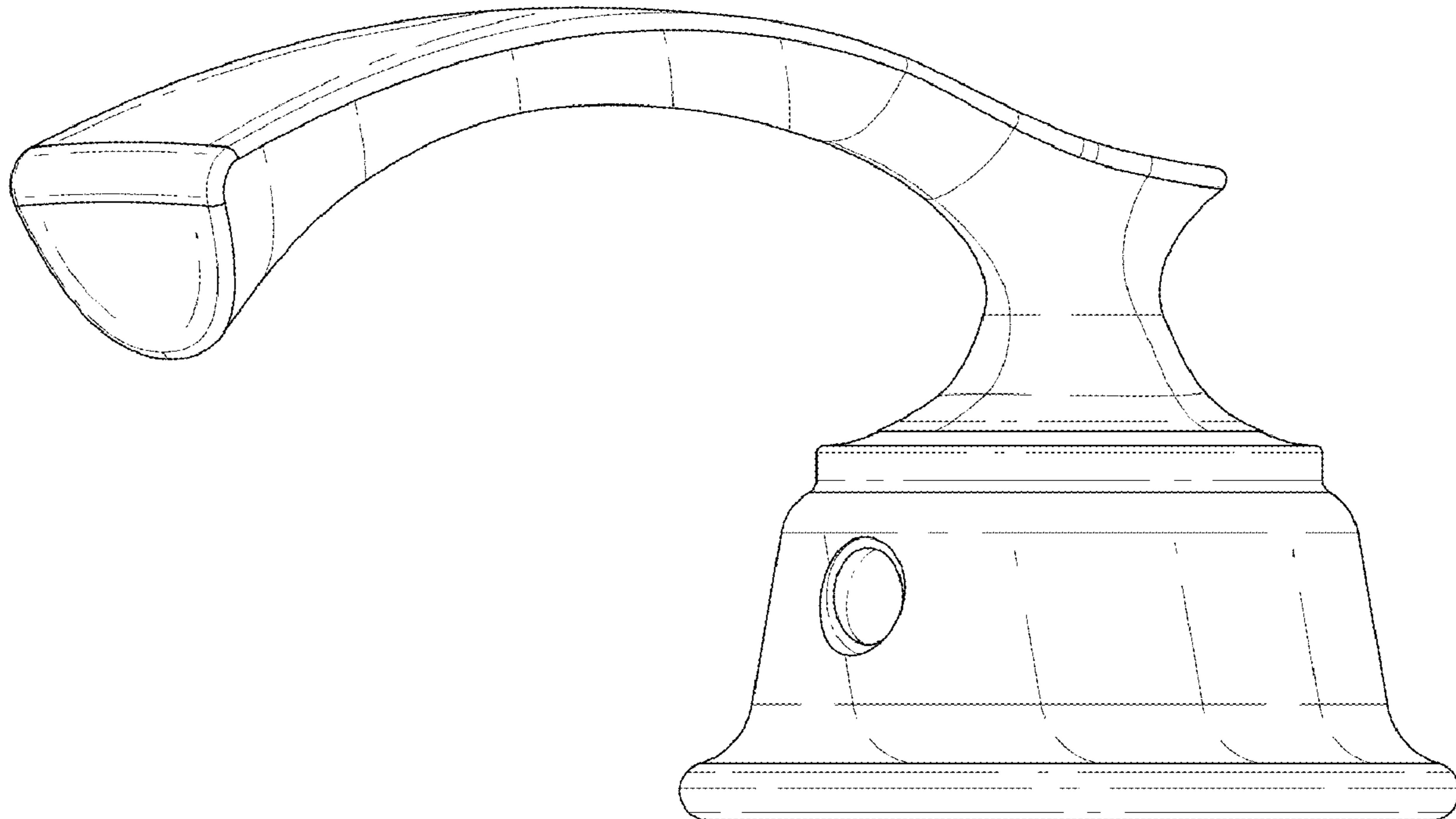
The broken lines are only for environmental purposes and form no part of the claimed design.

(56) **References Cited**

U.S. PATENT DOCUMENTS

D583,911 S * 12/2008 Eilmus D23/252

1 Claim, 5 Drawing Sheets



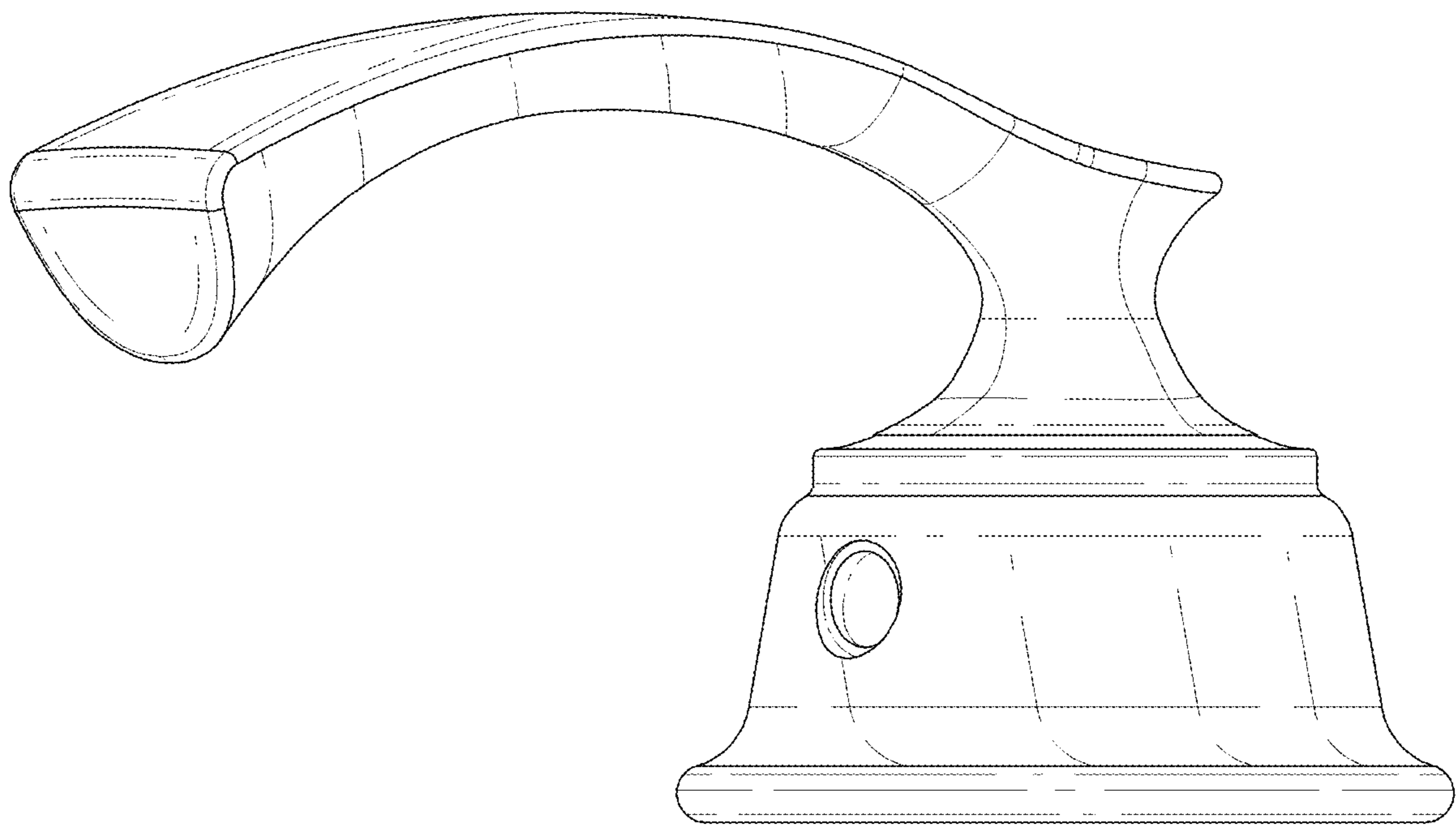


FIG. 1

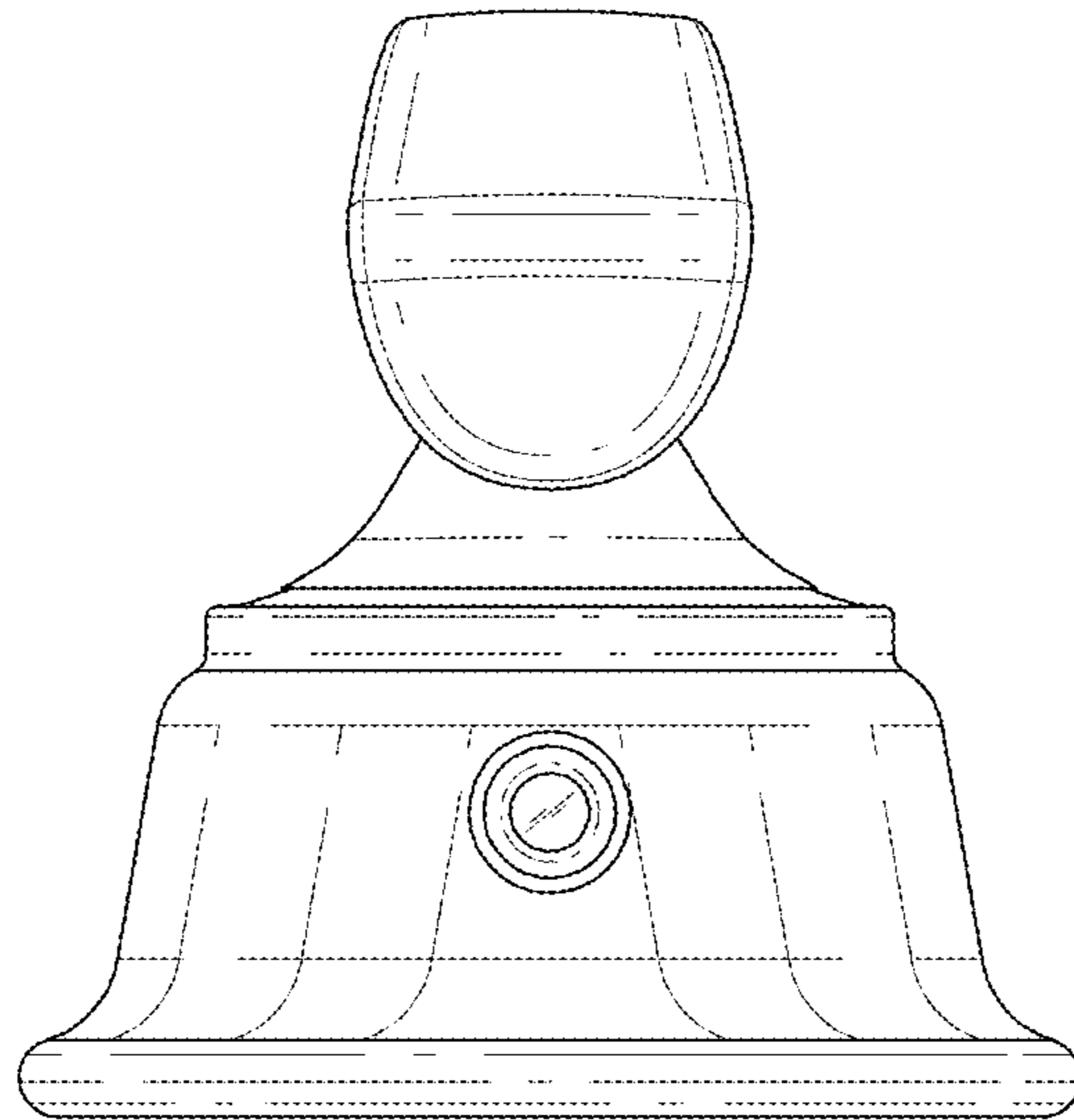


FIG. 2

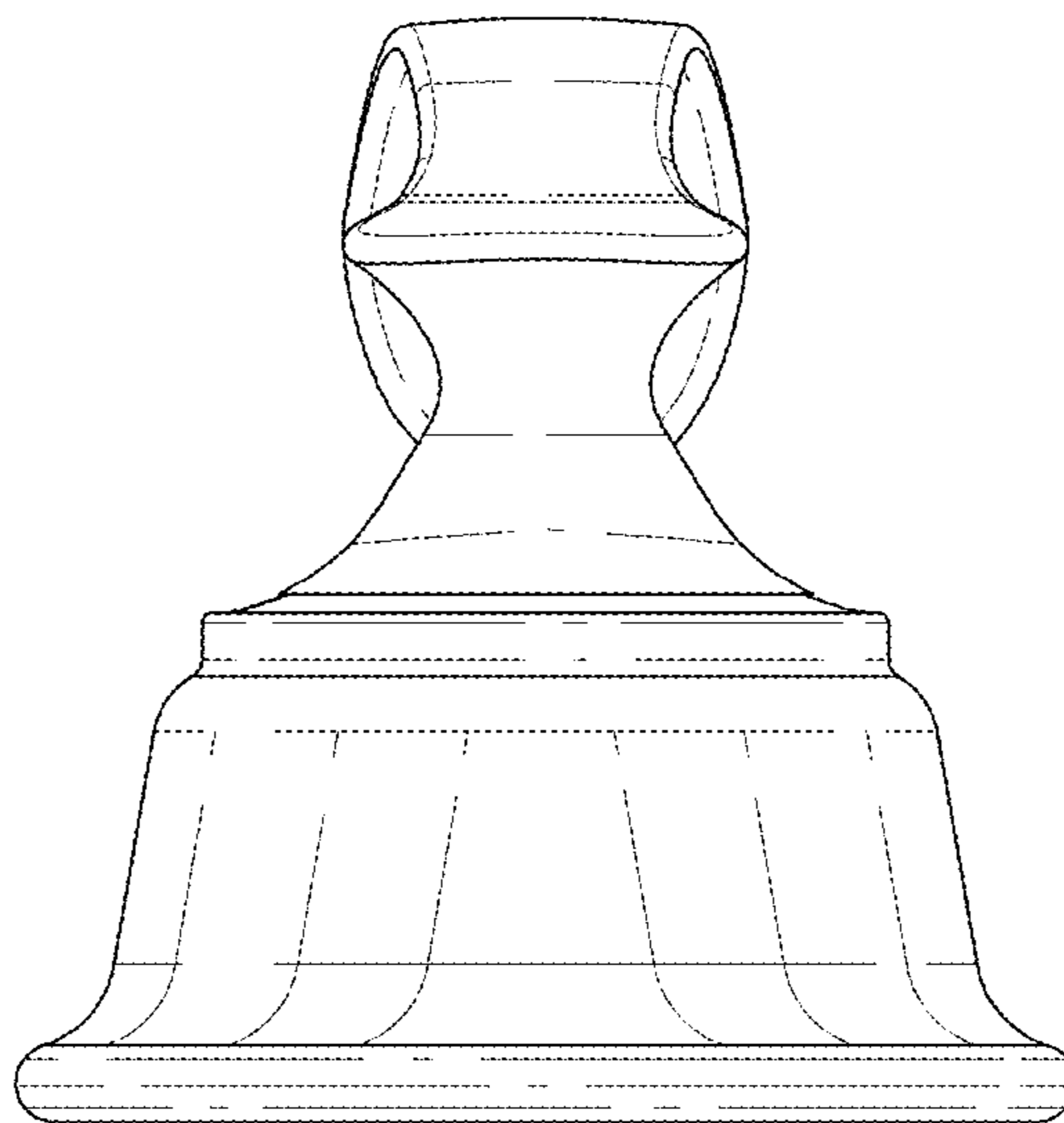


FIG. 3

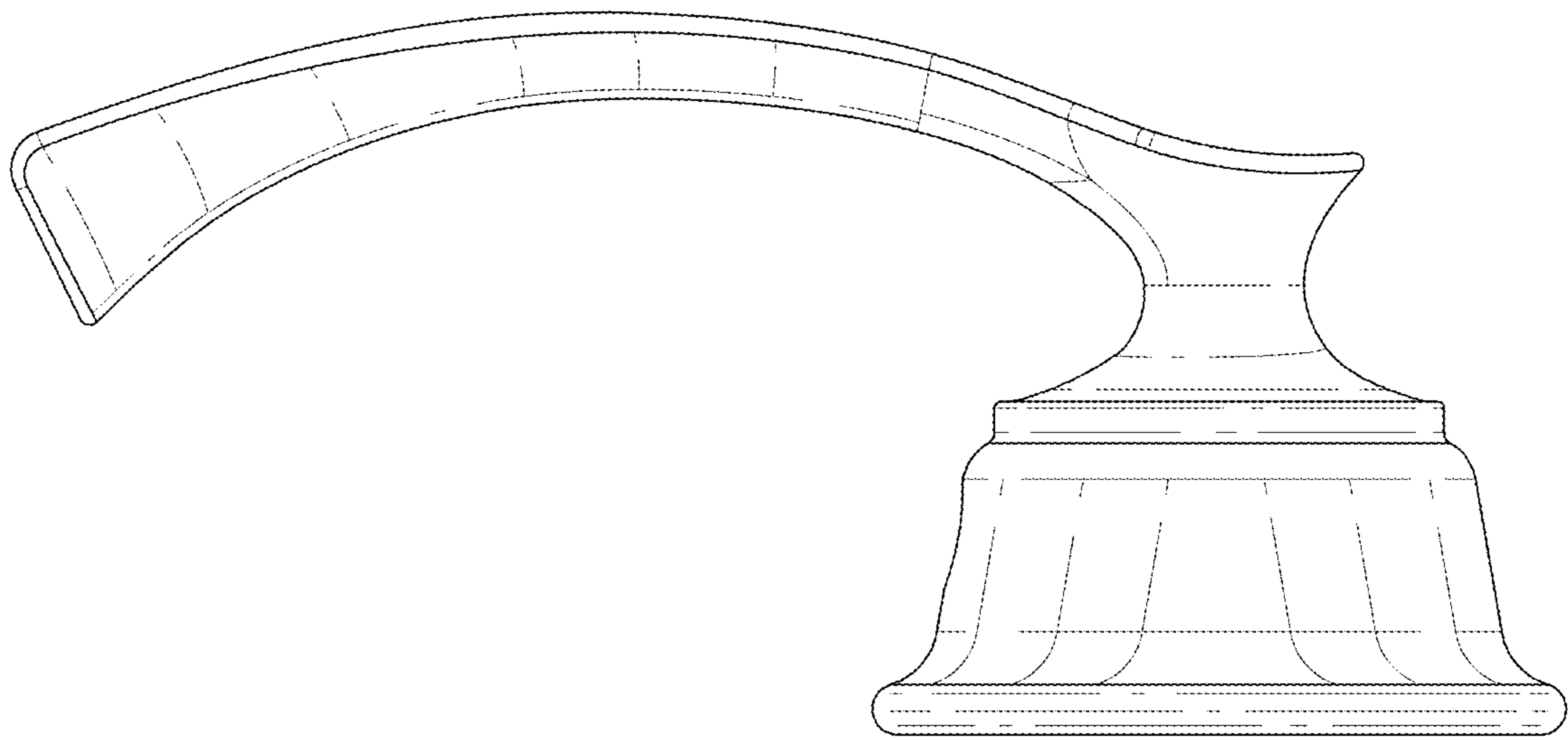


FIG. 4

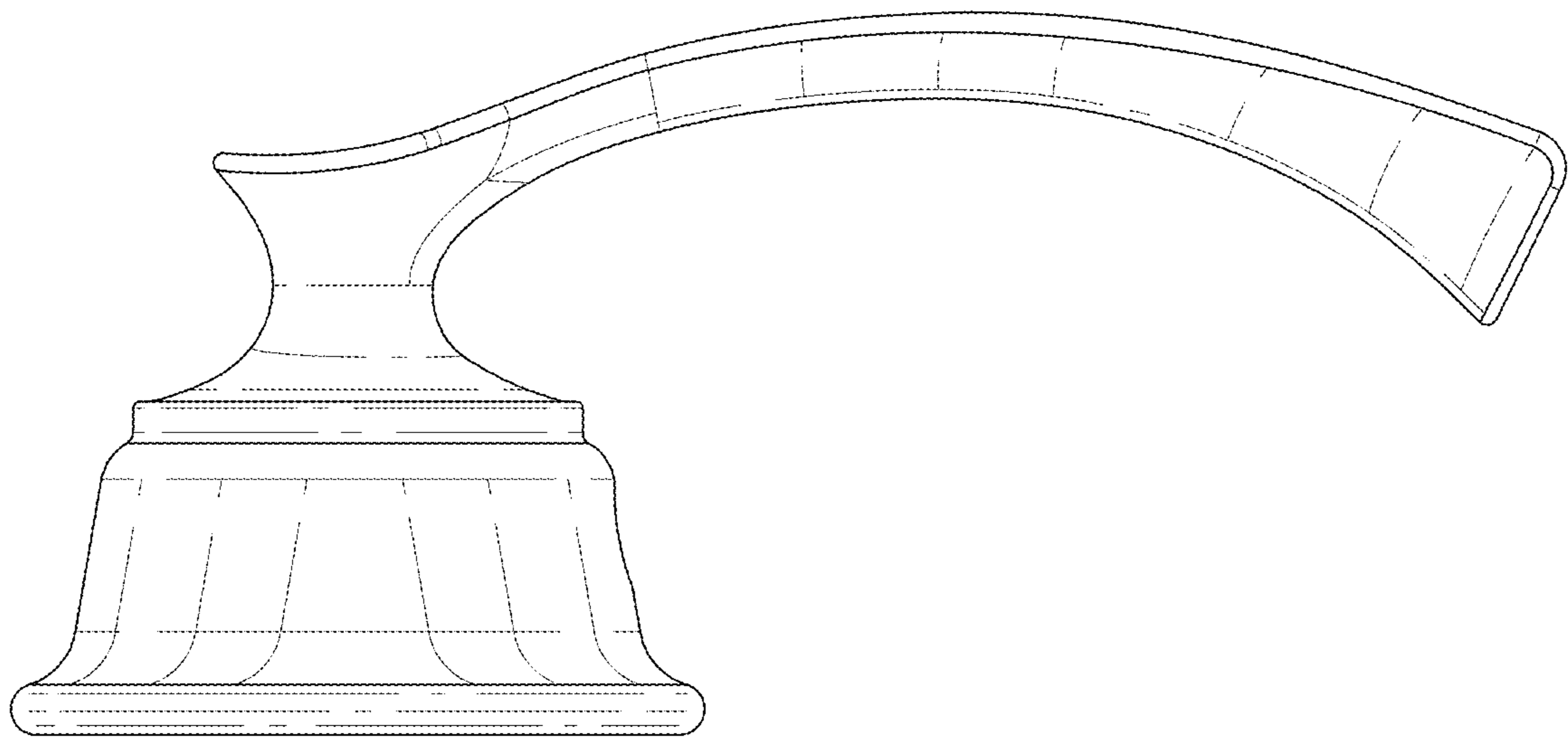


FIG. 5

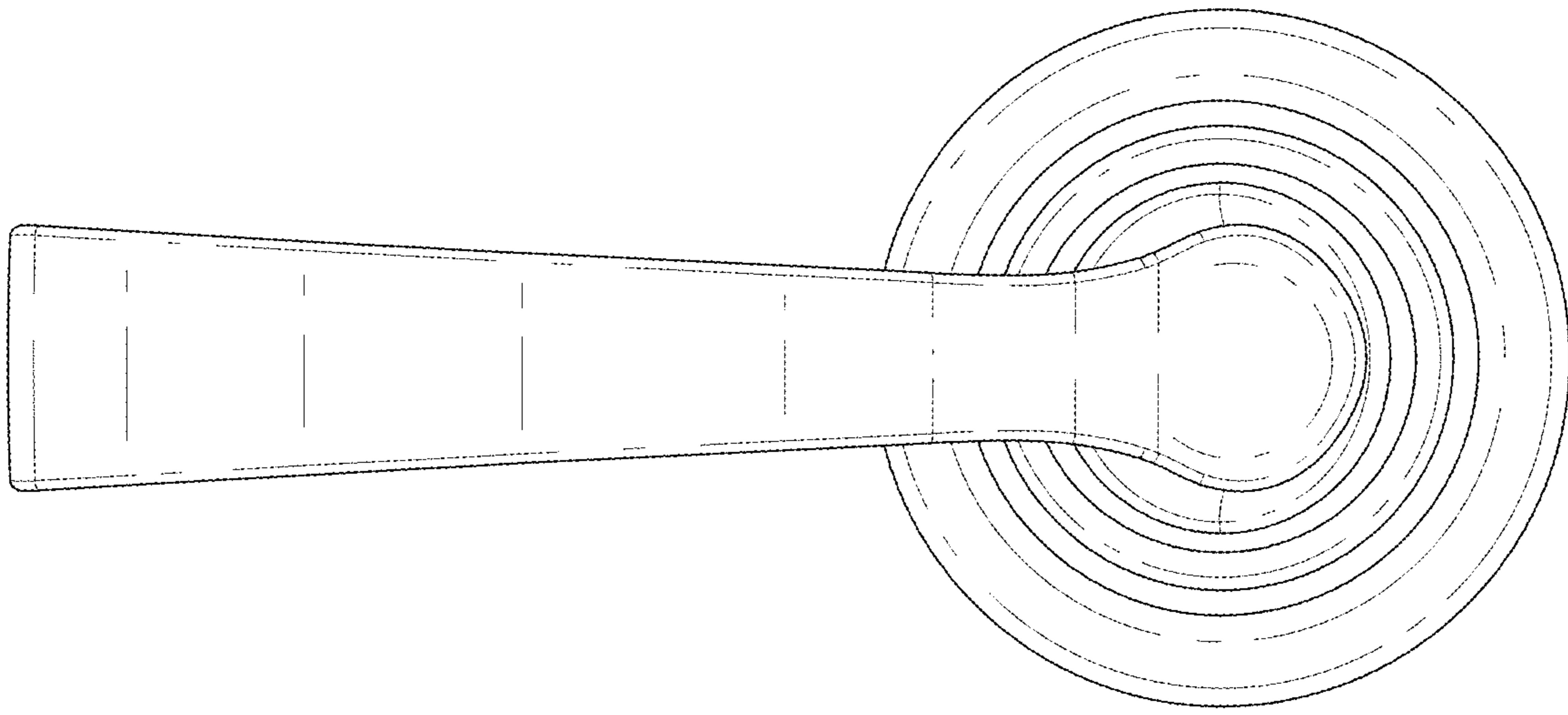


FIG. 6

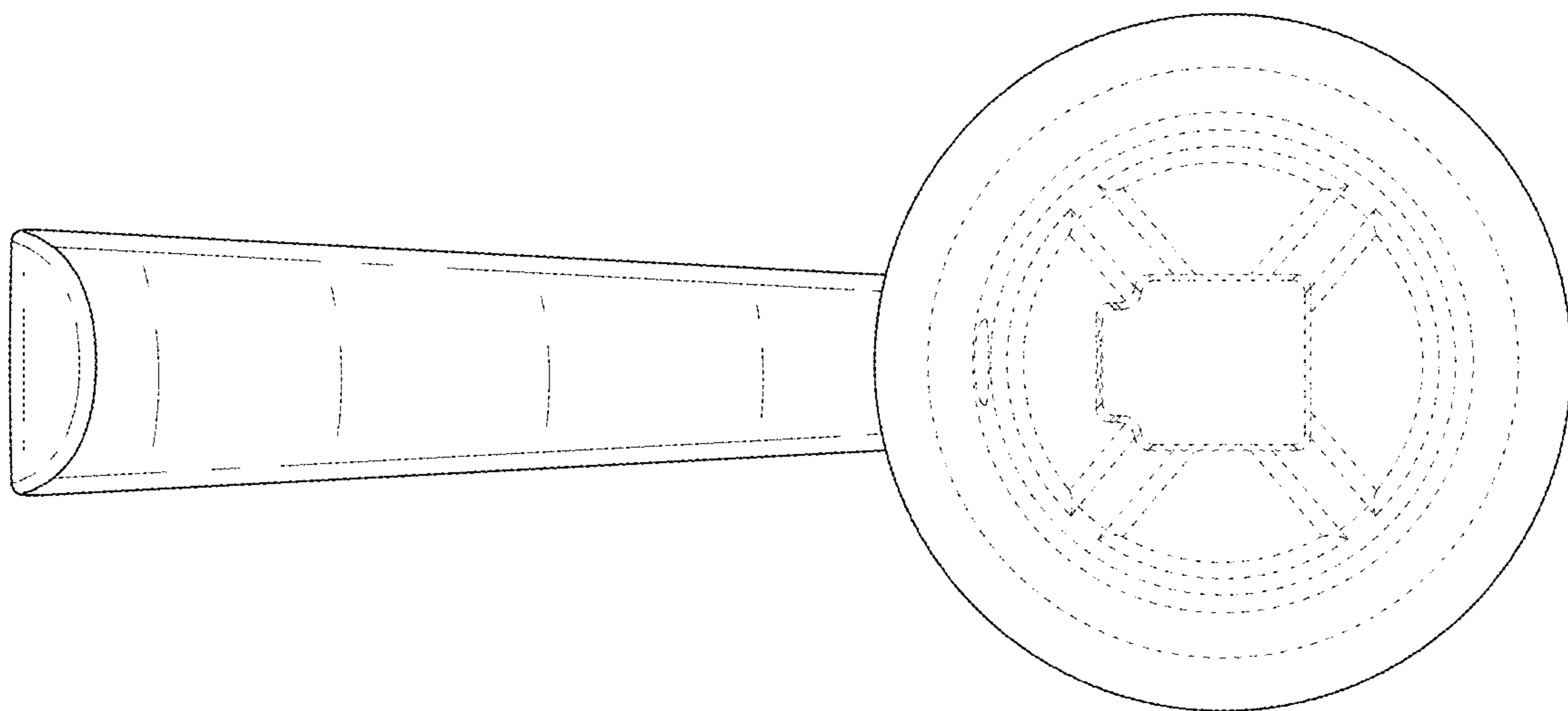


FIG. 7