

US00D940279S

(12) **United States Design Patent**  
**Yang**

(10) **Patent No.:** **US D940,279 S**  
(45) **Date of Patent:** **\*\* Jan. 4, 2022**

(54) **HANDLE**

(71) Applicant: **Xingying Yang**, Wuchuan (CN)

(72) Inventor: **Xingying Yang**, Wuchuan (CN)

(\*\*) Term: **15 Years**

(21) Appl. No.: **29/711,092**

(22) Filed: **Oct. 29, 2019**

(51) **LOC (13) Cl.** ..... **23-01**

(52) **U.S. Cl.**  
USPC ..... **D23/250**

(58) **Field of Classification Search**  
USPC ..... D23/238-244, 250, 252, 254-255, 257;  
D8/300, 307-308

CPC .... F16K 31/602; F16K 31/605; F16K 31/607;  
E03C 1/04; E03C 1/02

See application file for complete search history.

(56) **References Cited**

**U.S. PATENT DOCUMENTS**

D387,134 S	*	12/1997	Donahue	.....	D23/250
D568,966 S	*	5/2008	Eilmus	.....	D23/250
D583,018 S	*	12/2008	Yamaguchi	.....	D23/250
D597,178 S	*	7/2009	Shieh	.....	D23/252
D651,285 S	*	12/2011	Fritz	.....	D23/250
D694,860 S	*	12/2013	McKeone	.....	D23/252
D797,250 S	*	9/2017	Zhang	.....	D23/252
D851,217 S	*	6/2019	Chen	.....	D23/252
D851,219 S	*	6/2019	Chen	.....	D23/252
D852,330 S	*	6/2019	Garland	.....	D23/252
D903,826 S	*	12/2020	Zhang	.....	D23/238
D904,574 S	*	12/2020	Garland	.....	D23/252

**OTHER PUBLICATIONS**

American Standard M962160-0020A Lever Handle, first available Apr. 14, 2010[online], [site visited Jun. 10, 2021]. Available from internet, URL:<https://www.amazon.com/American-Standard-M962160-0020A-Pressure-Polished/dp/B003H4DHC4> (Year: 2010).\*  
Moen 95612 Monticello Replacement Single Handle, first available Sep. 14, 2004[online], [site visited Jun. 10, 2021]. Available from internet, URL:<https://www.amazon.com/Moen-95612-Replacement-Part/dp/B0017LLR9Y> (Year: 2004).\*

\* cited by examiner

*Primary Examiner* — Barbara Fox

*Assistant Examiner* — Jamaal Rasheed

(74) *Attorney, Agent, or Firm* — Rumit Ranjit Kanakia

(57) **CLAIM**

I claim the ornamental design for a handle, as shown and described.

**DESCRIPTION**

FIG. 1 is a Perspective view of a handle showing my new design;

FIG. 2 is a Right-side view thereof;

FIG. 3 is a Left-side view thereof;

FIG. 4 is a Top view thereof;

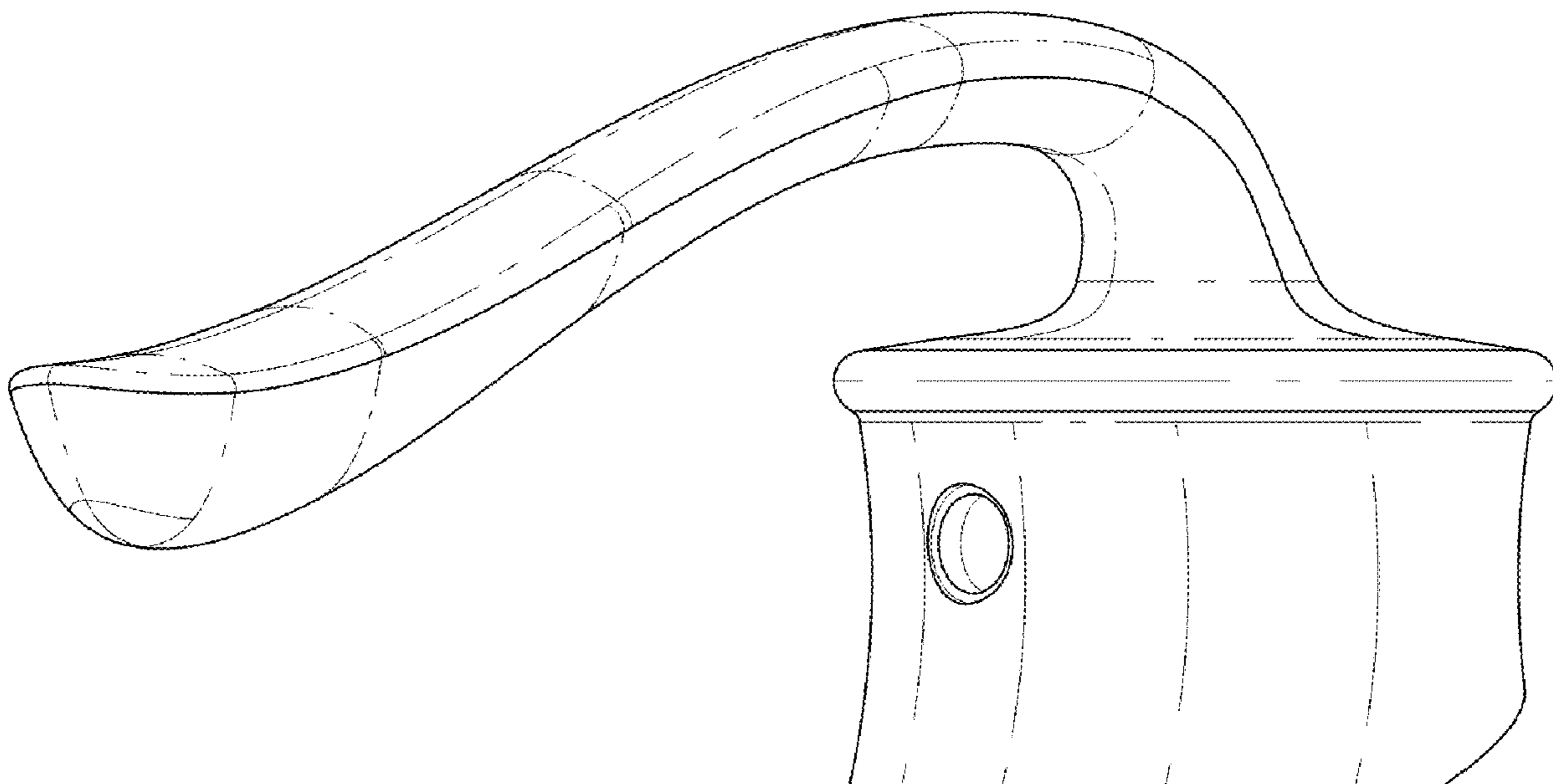
FIG. 5 is a Bottom view thereof;

FIG. 6 is a Front view thereof; and,

FIG. 7 is a Back view thereof.

The broken lines in the drawings depict portions of the handle that form no part of the claimed design.

**1 Claim, 6 Drawing Sheets**



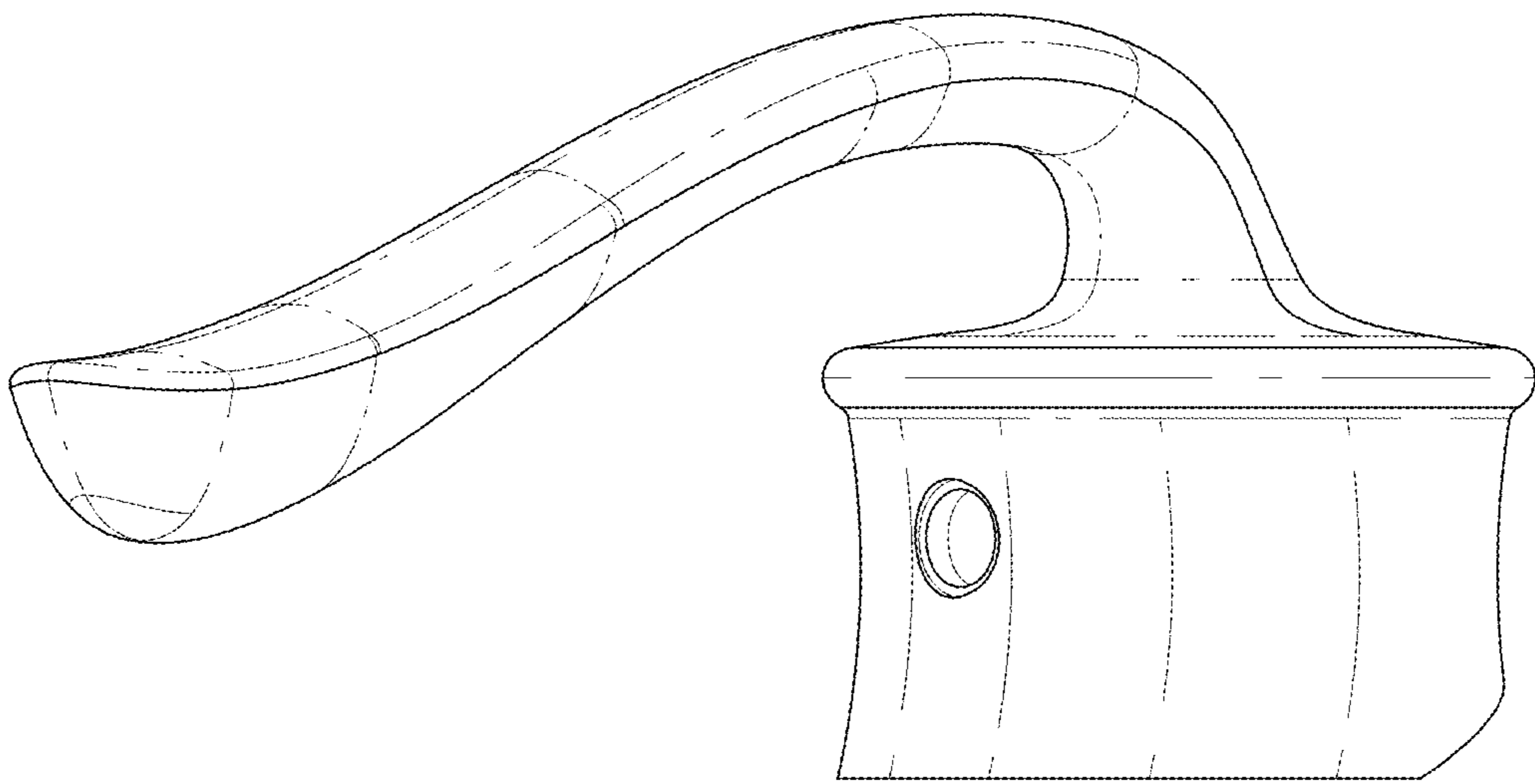


FIG. 1

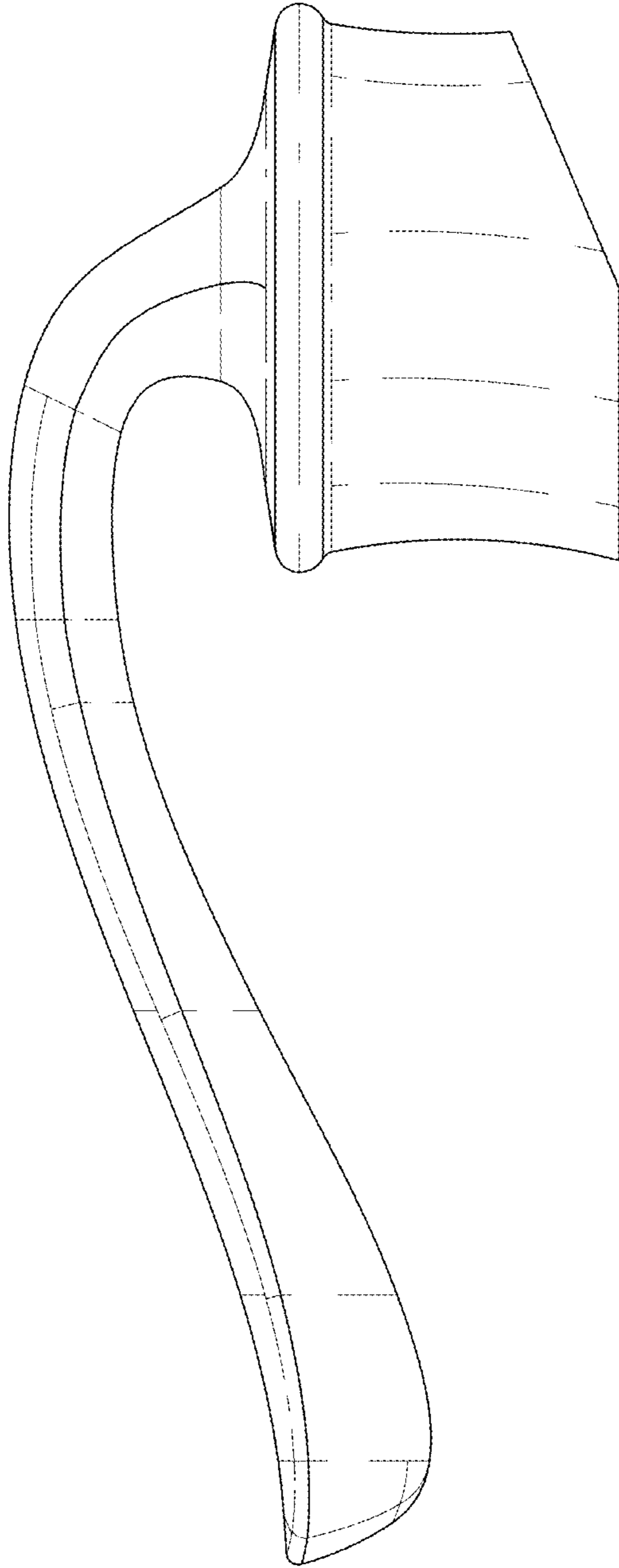


FIG. 2

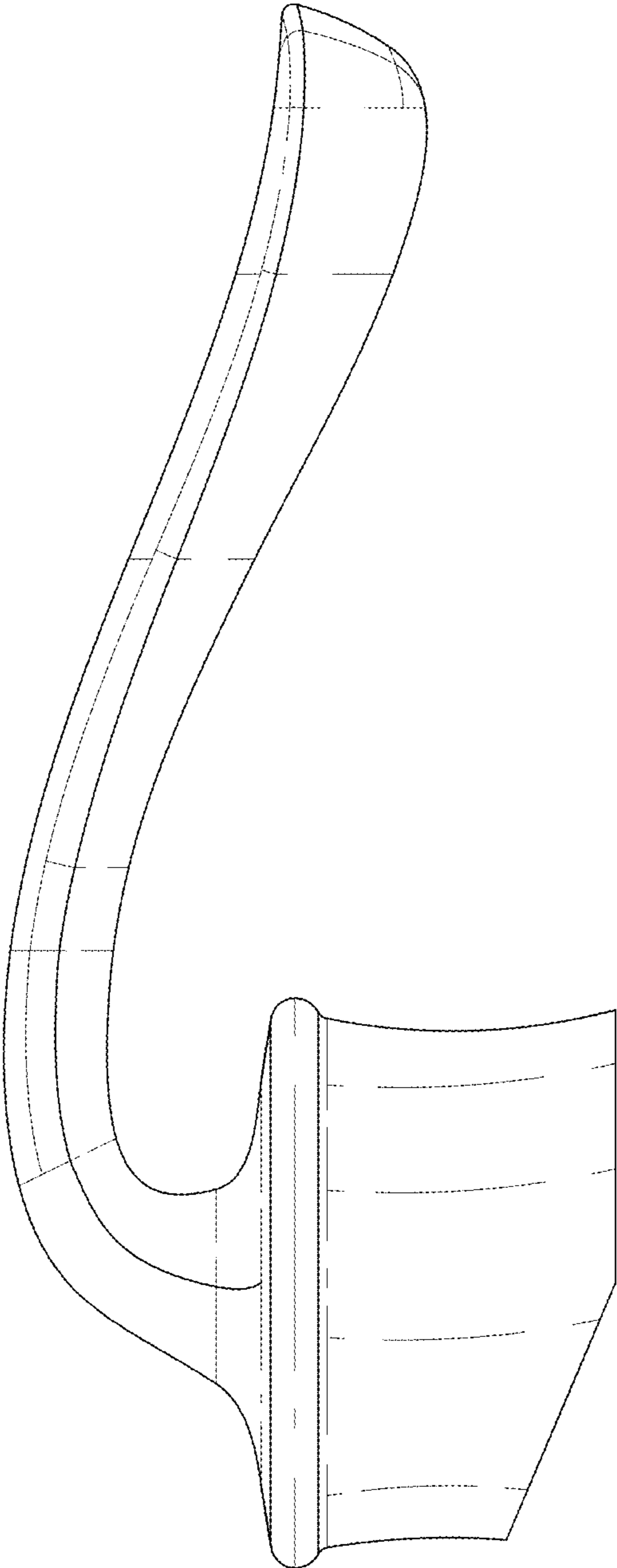


FIG. 3

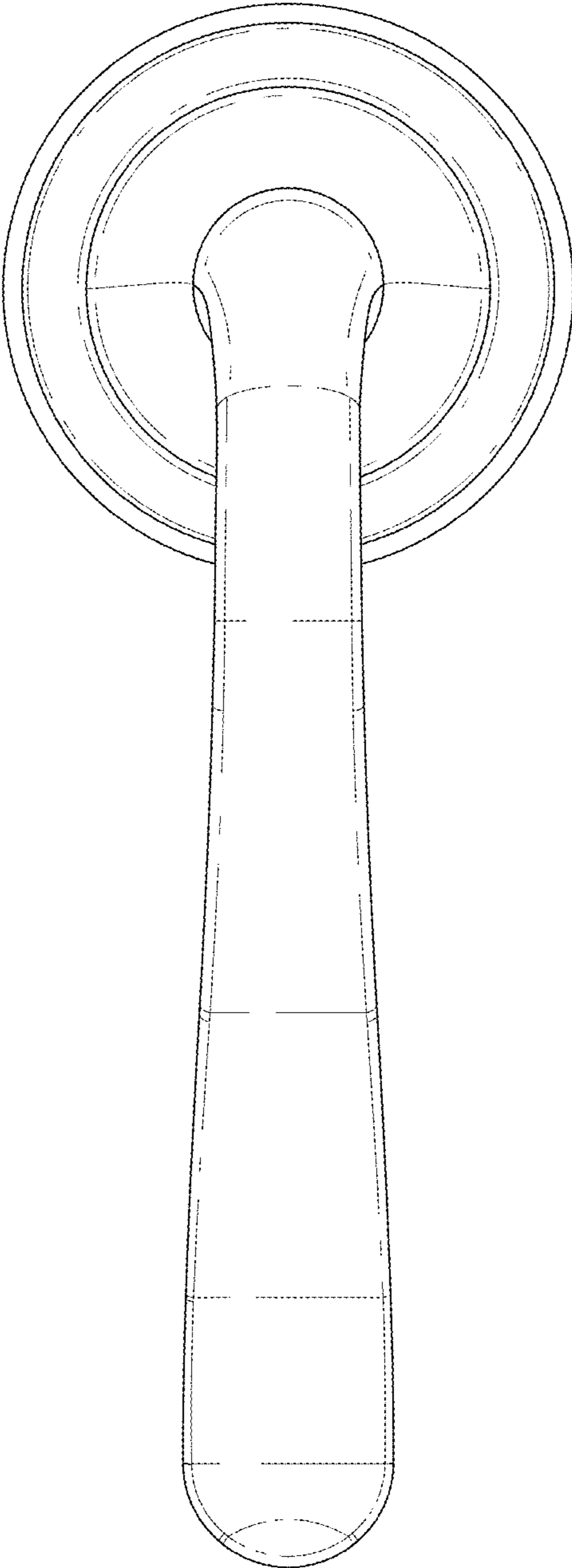


FIG. 4

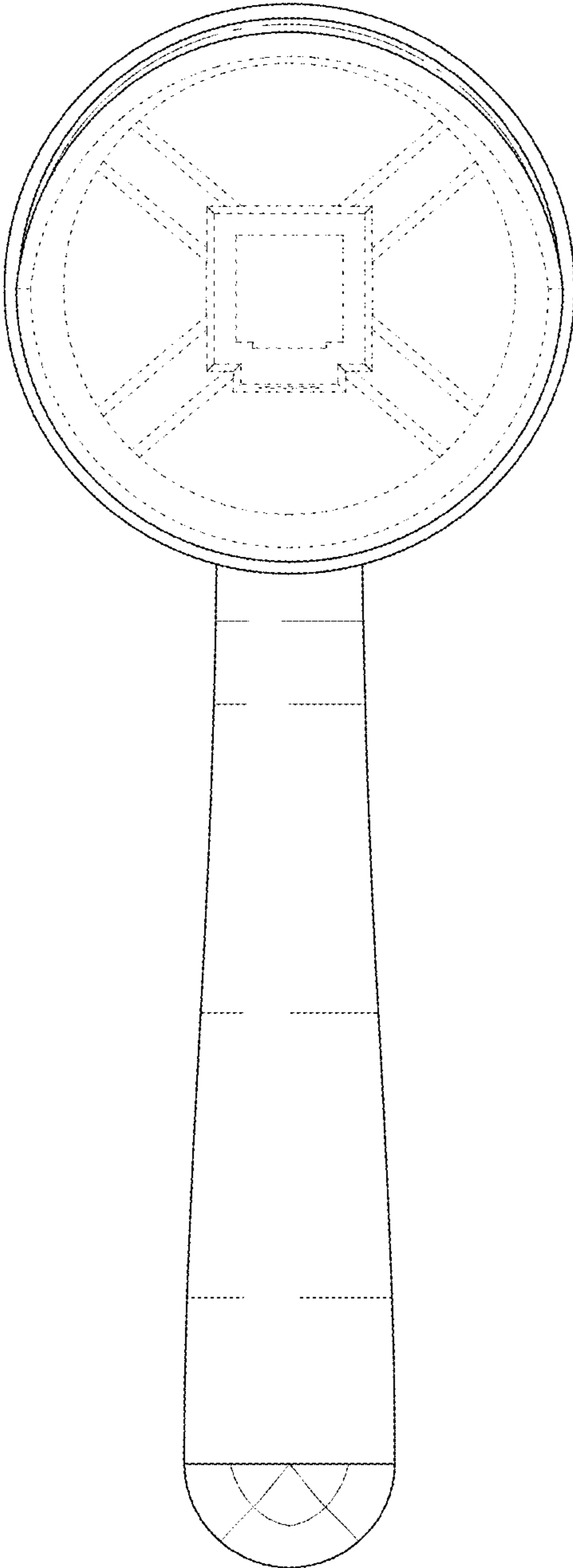


FIG. 5

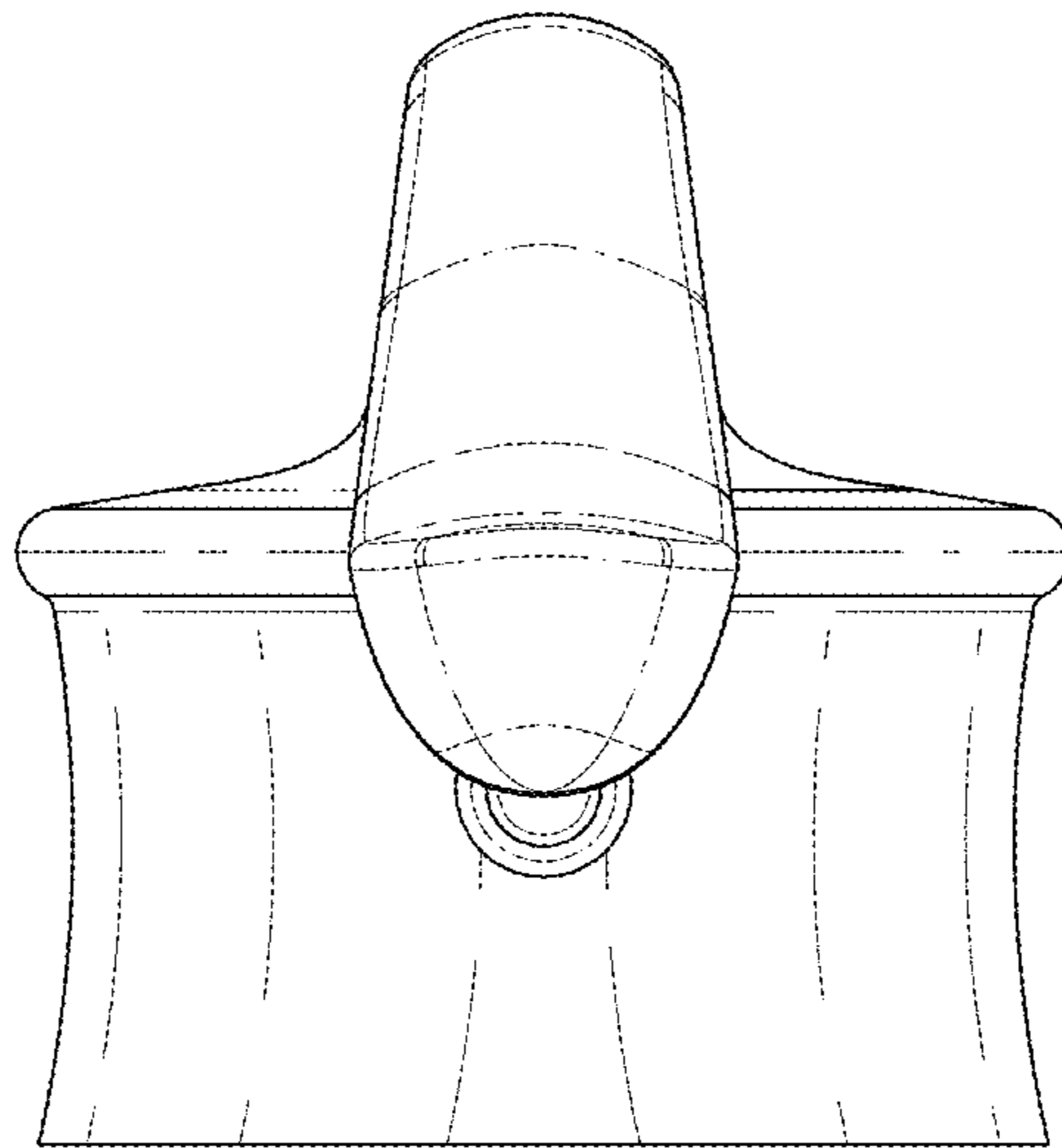


FIG. 6

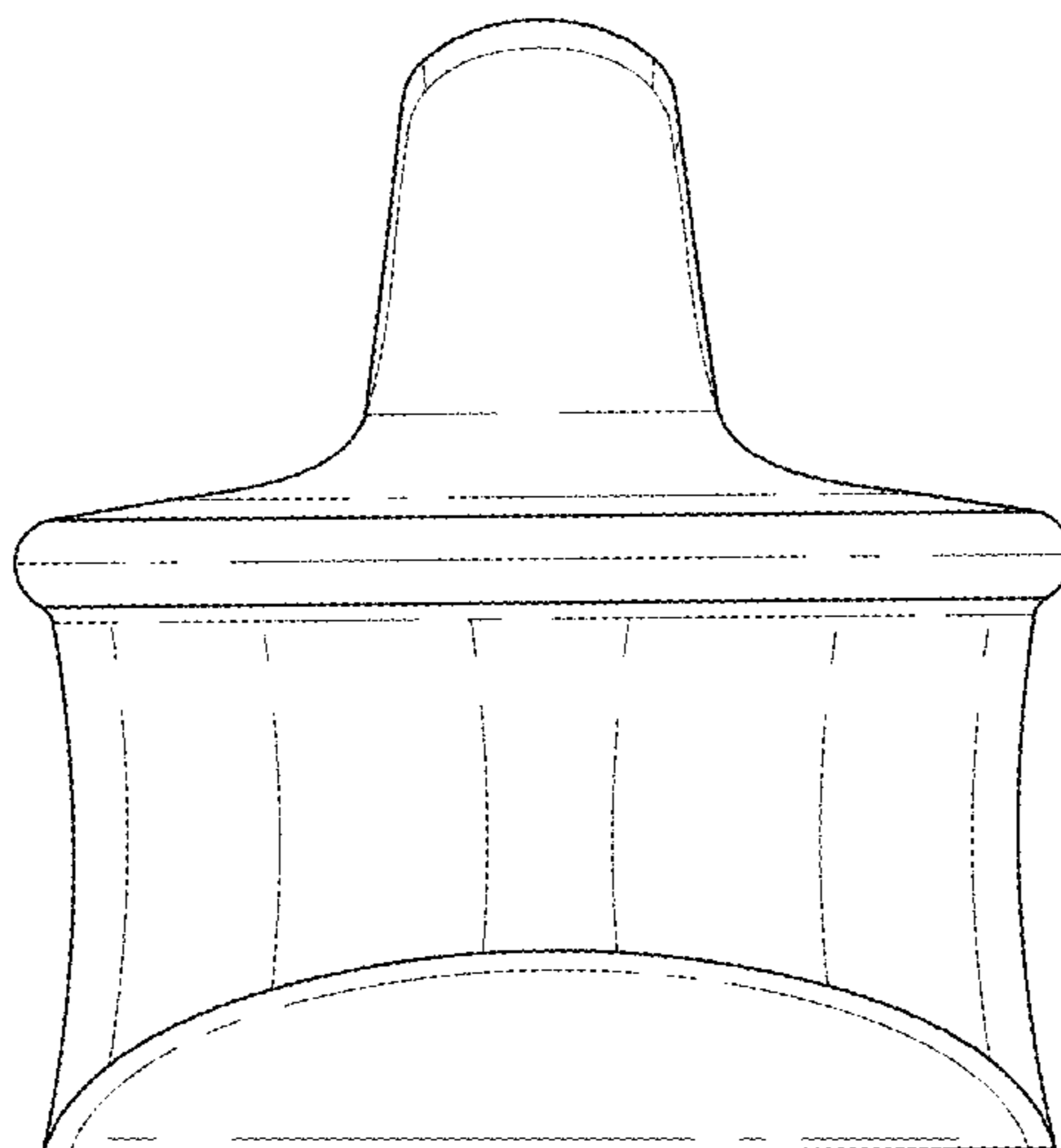


FIG. 7