



US00D940278S

(12) **United States Design Patent**
Stoler et al.

(10) **Patent No.:** **US D940,278 S**
(45) **Date of Patent:** **** Jan. 4, 2022**

(54) **FAUCET**
(71) Applicant: **DELTA FAUCET COMPANY**,
Indianapolis, IN (US)
(72) Inventors: **Benjamin David Stoler**, Carmel, IN
(US); **Thad Eads**, Urbana, IN (US)
(73) Assignee: **DELTA FAUCET COMPANY**,
Indianapolis, IN (US)
(**) Term: **15 Years**
(21) Appl. No.: **29/723,334**
(22) Filed: **Feb. 6, 2020**
(51) **LOC (13) Cl.** **23-01**
(52) **U.S. Cl.**
USPC **D23/238**
(58) **Field of Classification Search**
USPC D23/238-244, 252, 254-255, 257;
D8/307-308
CPC F16K 31/602; F16K 31/605; F16K 31/607;
E03C 1/0412
See application file for complete search history.

D873,960 S * 1/2020 Fritz D23/238
D874,613 S * 2/2020 Park D23/238
D875,215 S * 2/2020 Bahler D23/238
D890,302 S * 7/2020 Chen D23/238
D913,433 S * 3/2021 Ao D23/238

(Continued)

FOREIGN PATENT DOCUMENTS

CN 303020854 * 6/2014
CN 304817718 * 8/2018
CN 304909329 * 10/2018

OTHER PUBLICATIONS

Moen S53004 Weymouth Shepherd's Hook Pulldown Kitchen Bar
Faucet Featuring Metal Wand with Power Clean, announced Dec.
17, 2018[online], [site visited Feb. 9, 2021]. Available from internet,
URL:<<https://www.amazon.com/Moen-S53004NL-Weymouth-Shepherds-Featuring/dp/B07PZDPK11?th=1>> (Year: 2018).*

(Continued)

Primary Examiner — Barbara Fox
Assistant Examiner — Jamaal Rasheed
(74) *Attorney, Agent, or Firm* — Nirav D. Parikh; Edgar
A. Zarins

(56) **References Cited**

U.S. PATENT DOCUMENTS

D683,822 S * 6/2013 Kwok D23/238
D686,300 S * 7/2013 Fritz D23/238
D754,294 S * 4/2016 Garland D23/238
D828,508 S * 9/2018 Fritz D23/238
D835,236 S * 12/2018 Ziemann D23/238
D835,237 S * 12/2018 Ziemann D23/238
D840,509 S * 2/2019 Garland D23/238
D860,392 S * 9/2019 Garland D23/238
D869,610 S * 12/2019 Garland D23/238
D870,852 S * 12/2019 Eads D23/238
D871,547 S * 12/2019 Eads D23/238
D872,235 S * 1/2020 Garland D23/238
D873,379 S * 1/2020 Fritz D23/238
D873,380 S * 1/2020 Judge D23/238

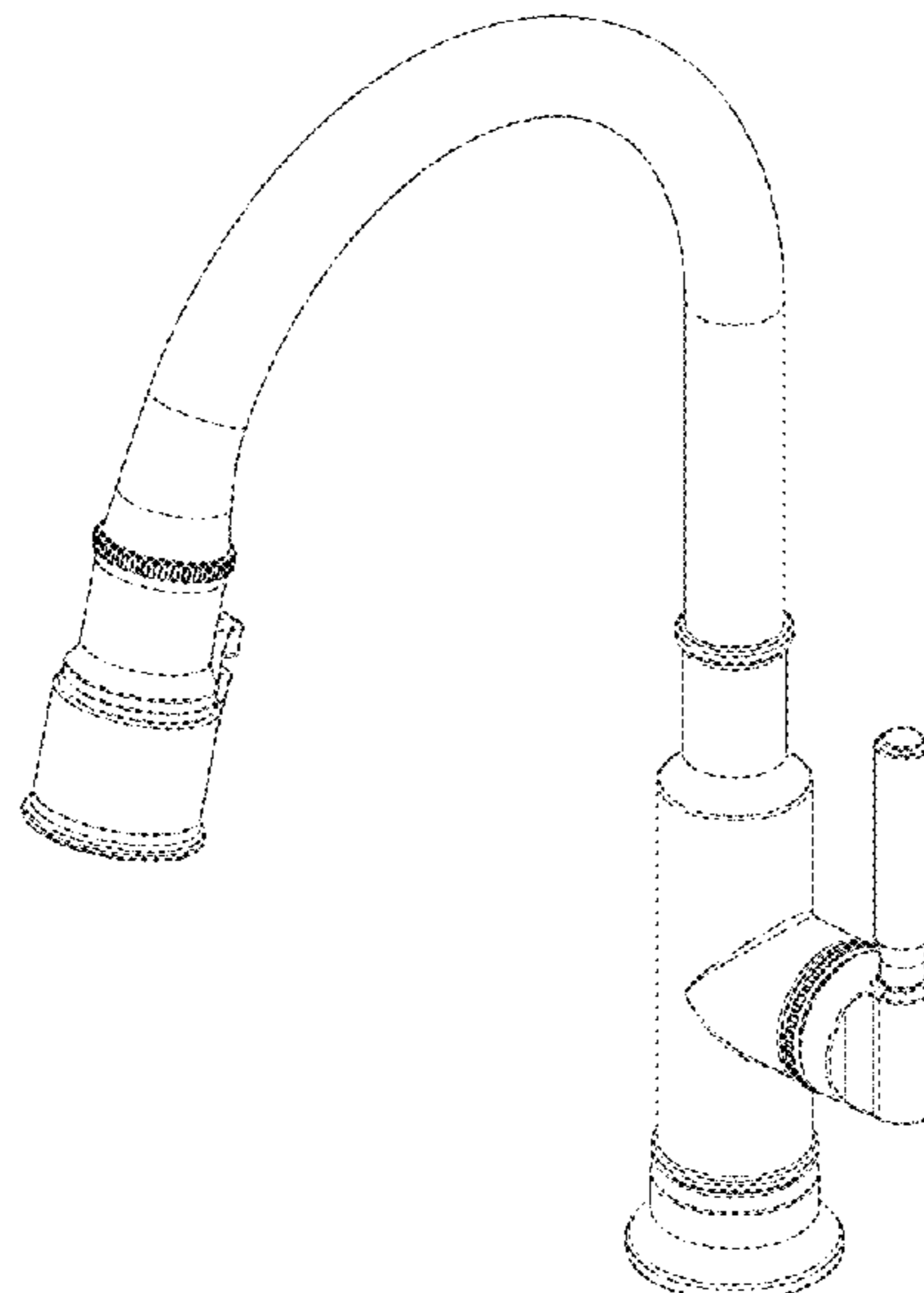
(57) **CLAIM**

The ornamental design for a faucet, as shown and described.

DESCRIPTION

FIG. 1 is a front perspective view of a faucet showing our
new design;
FIG. 2 is a rear perspective view thereof;
FIG. 3 is a front elevational view thereof;
FIG. 4 is a left side view thereof;
FIG. 5 is a rear view thereof;
FIG. 6 is a right side view thereof; and,
FIG. 7 is a top plan view thereof.

1 Claim, 4 Drawing Sheets



(56)

References Cited

U.S. PATENT DOCUMENTS

D913,436 S * 3/2021 Zhu D23/238
D913,440 S * 3/2021 Zeng D23/238
D914,144 S * 3/2021 Levi D23/238
D914,150 S * 3/2021 He D23/238
D914,846 S * 3/2021 Zhang D23/238
2016/0145840 A1* 5/2016 de Swarte E03C 1/0412
137/625.4

OTHER PUBLICATIONS

APPASO Pull Down Kitchen Faucet, first available Dec. 24, 2018[online], [site visited Apr. 9, 2021]. Available from internet, URL:< <https://www.amazon.com/APPASO-Kitchen-Magnetic-Docking-Sprayer/dp/B07MGRB9KW> > (Year: 2018).*

Moen Brantford Motionsense Wave Touchless One-Handle Pulldown Kitchen Faucet, announced Dec. 1, 2018[online], [site visited Feb. 5, 2021]. Available from internet, URL:<<https://www.amazon.com/Moen-Brantford-Motionsense-One-Handle-7185EWC/dp/B07MHJX584>> (Year: 2018).*

* cited by examiner

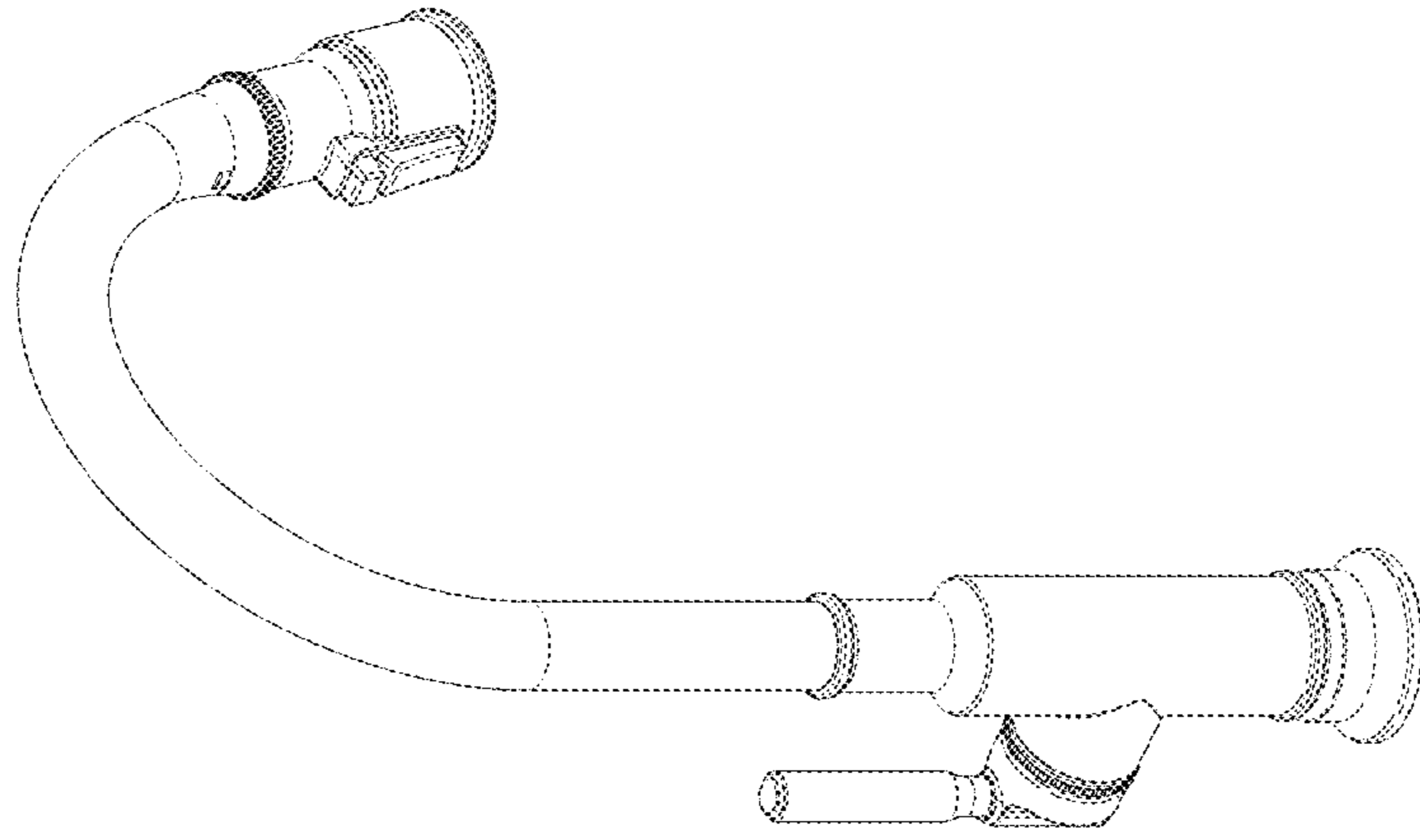


FIG - 2

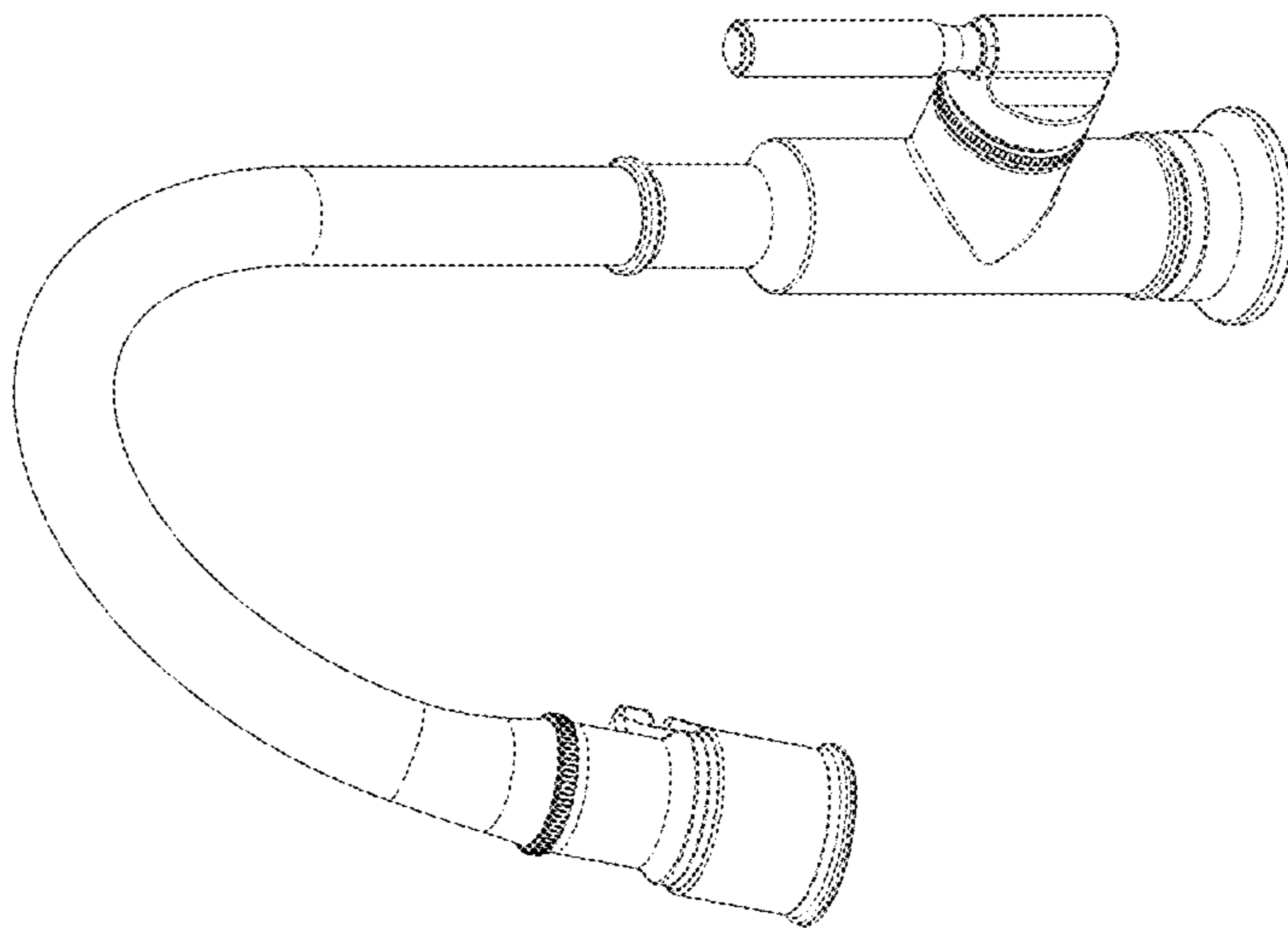


FIG - 1

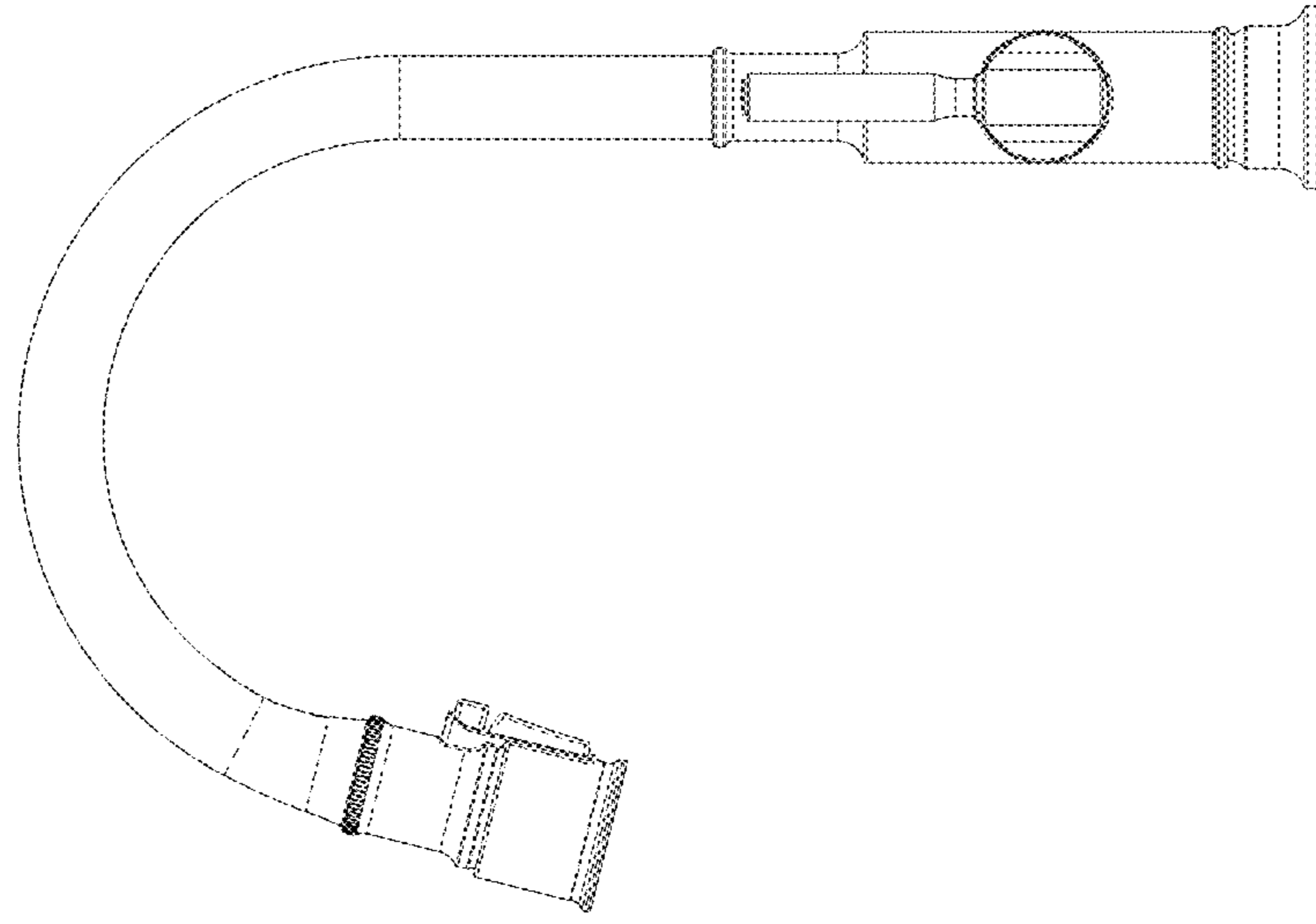


FIG - 4

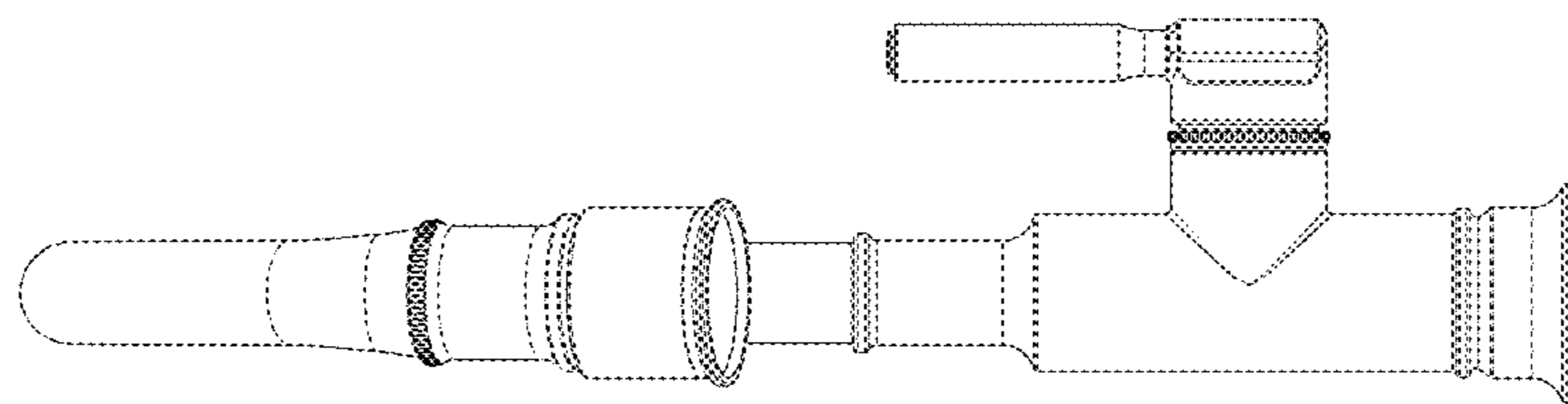


FIG - 3

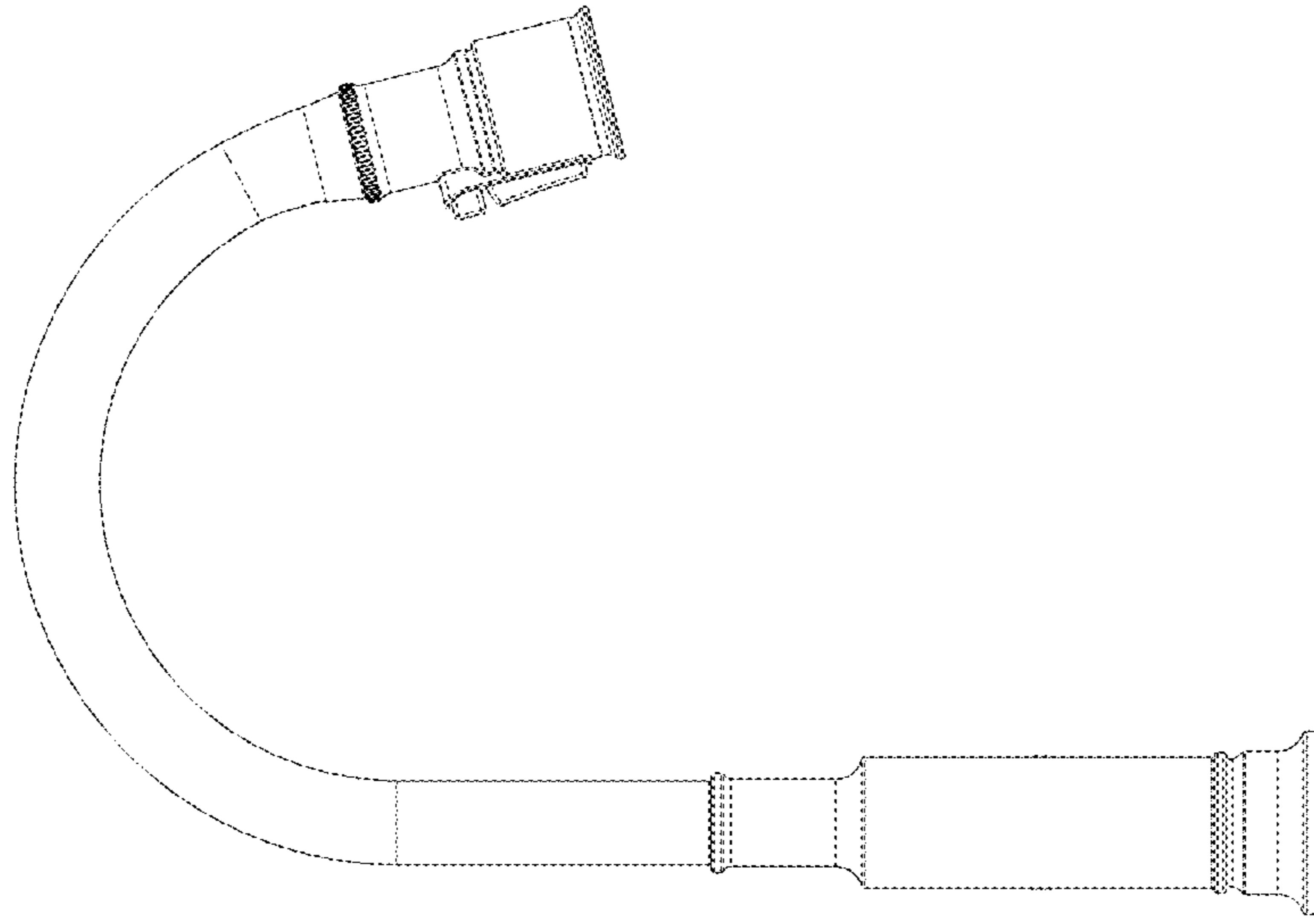


FIG - 6

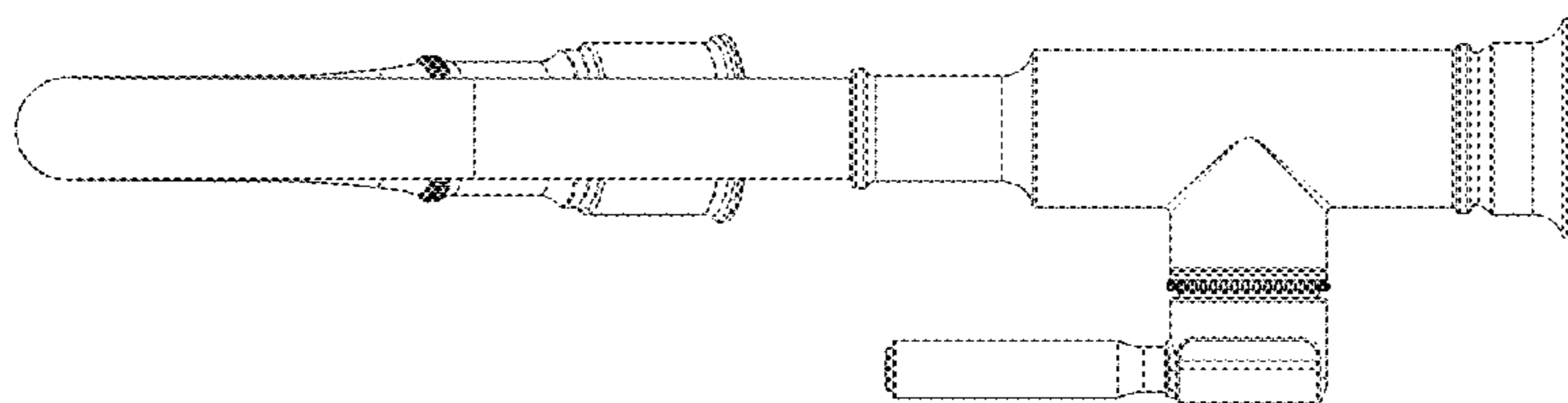


FIG - 5

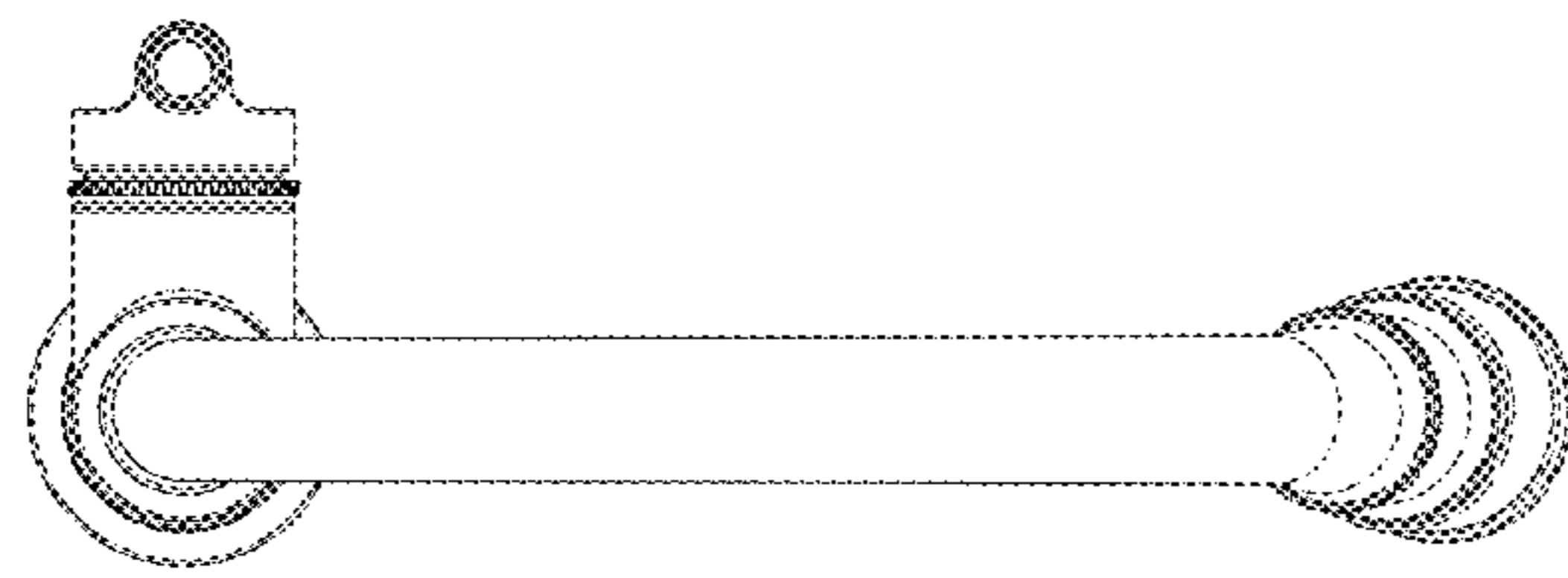


FIG - 7