



US00D940276S

(12) **United States Design Patent** (10) **Patent No.:** **US D940,276 S**
Lazarini et al. (45) **Date of Patent:** **** Jan. 4, 2022**

(54) **FAUCET**

FOREIGN PATENT DOCUMENTS

(71) Applicant: **DELTA FAUCET COMPANY**,
Indianapolis, IN (US)

CA 190268 * 10/2019

(72) Inventors: **Alejandra Lazarini**, Carmel, IN (US);
Kristen Weber, Park Ridge, IL (US)

OTHER PUBLICATIONS

(73) Assignee: **DELTA FAUCET COMPANY**,
Indianapolis, IN (US)

Delta Faucet 576-BLLPU-LHP-DST Stryke Faucet, first available Dec. 24, 2018[online], [site visited Apr. 29, 2021]. Available from internet, URL:< <https://www.amazon.com/Single-Handle-Faucet-Pop-Up-Stryke/dp/B07KXBZCX1>> (Year: 2018).*

(**) Term: **15 Years**

Pfister LG42-BS0K Bronson Single Control Bathroom Faucet, first available Feb. 28, 2019[online], [site visited Apr. 29, 2021]. Available from internet, URL:< <https://www.amazon.com/Pfister-LG42-BS0K-Bronson-Control-Bathroom/dp/B07P98BHBM>> (Year: 2019).*

(21) Appl. No.: **29/710,534**

* cited by examiner

(22) Filed: **Oct. 24, 2019**

(51) **LOC (13) Cl.** **23-01**

Primary Examiner — Barbara Fox

(52) **U.S. Cl.**

Assistant Examiner — Jamaal Rasheed

USPC **D23/238**

(58) **Field of Classification Search**

(74) *Attorney, Agent, or Firm* — Nirav D. Parikh; Edgar A. Zarins

USPC D23/238–244, 252, 254–255, 257;
D8/307–308

CPC F16K 31/602; F16K 31/605; F16K 31/607;
E03C 1/0412

See application file for complete search history.

(57) **CLAIM**

The ornamental design for a faucet, as shown and described.

(56) **References Cited**

DESCRIPTION

U.S. PATENT DOCUMENTS

D621,005 S *	8/2010	Bouroullec	D23/238
D797,892 S *	9/2017	Fritz	D23/238
D820,399 S *	6/2018	Garland	D23/238
D825,031 S *	8/2018	Haug	D23/238
D830,518 S *	10/2018	Zeisel	D23/238
D846,703 S *	4/2019	Garland	D23/238
D856,483 S *	8/2019	Spangler	D23/238
D857,166 S *	8/2019	Spangler	D23/238
D857,167 S *	8/2019	Spangler	D23/238
D857,176 S *	8/2019	Spangler	D23/255
D907,178 S *	1/2021	Stoler	D23/238

FIG. 1 is a front perspective view of a faucet showing my new design;

FIG. 2 is a rear perspective view thereof;

FIG. 3 is a front elevational view thereof;

FIG. 4 is a left side view thereof;

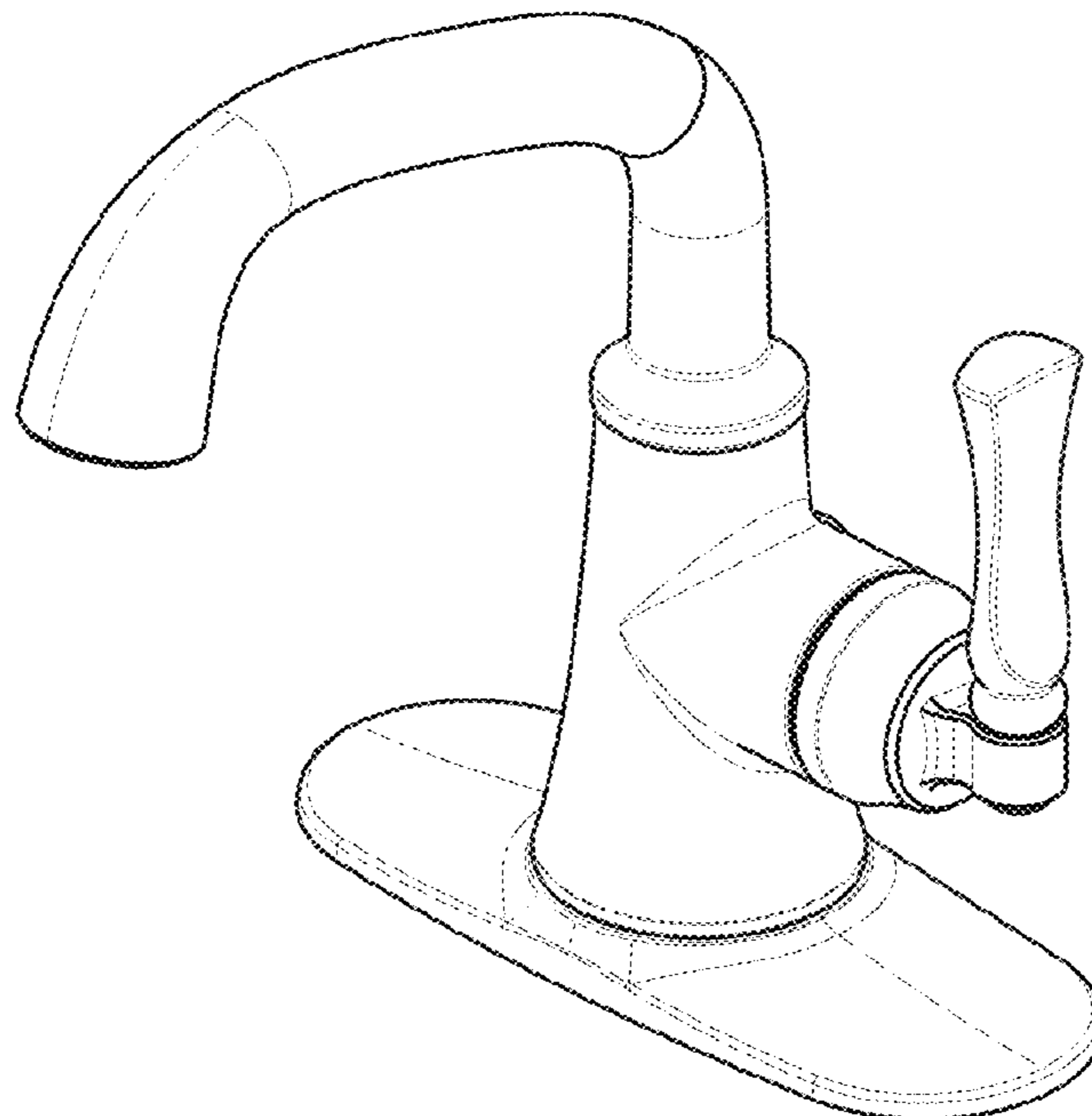
FIG. 5 is a rear view thereof;

FIG. 6 is a right side view thereof;

FIG. 7 is a top plan view thereof; and,

FIG. 8 is a bottom view thereof.

1 Claim, 4 Drawing Sheets



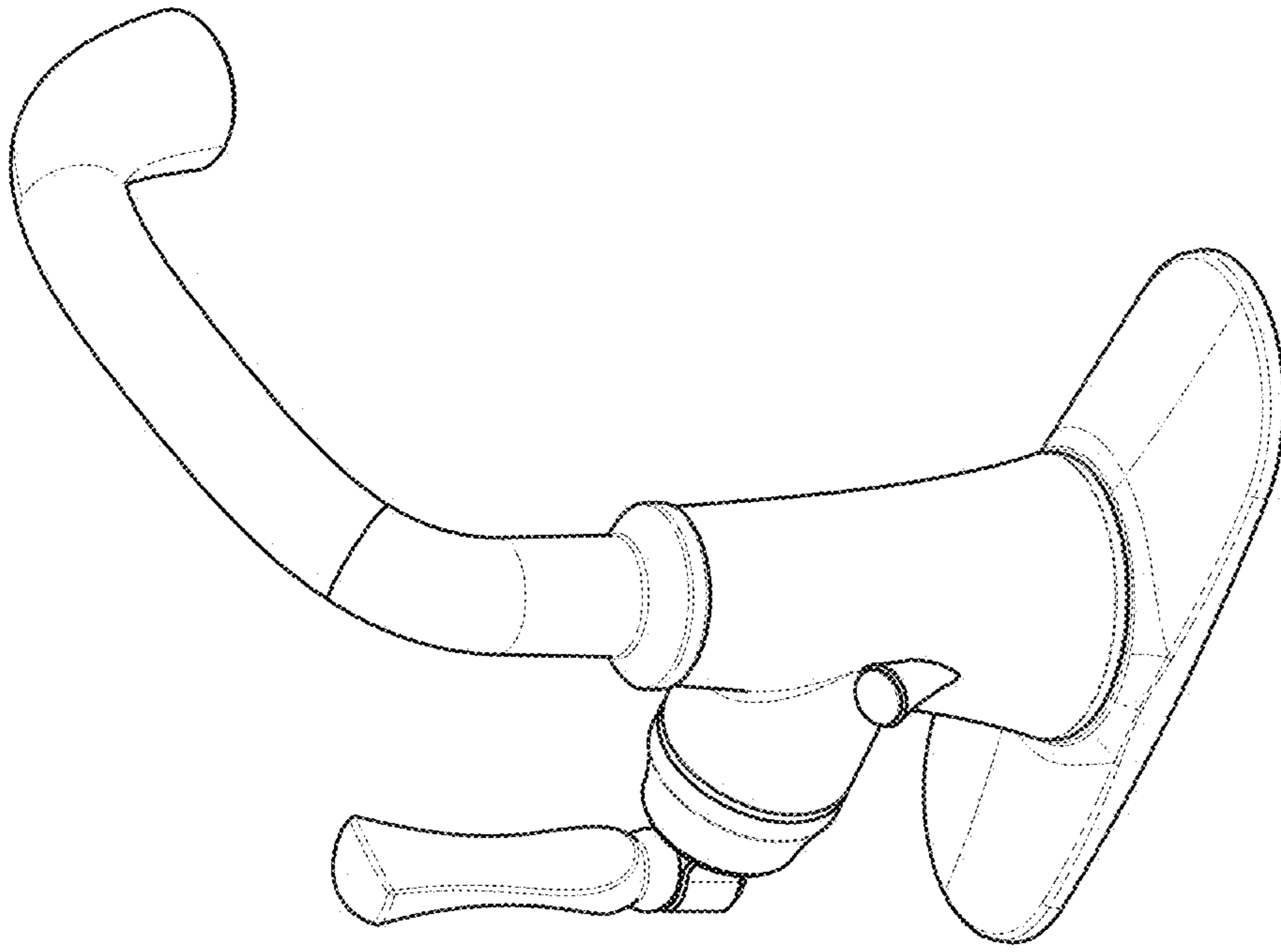


FIG - 2

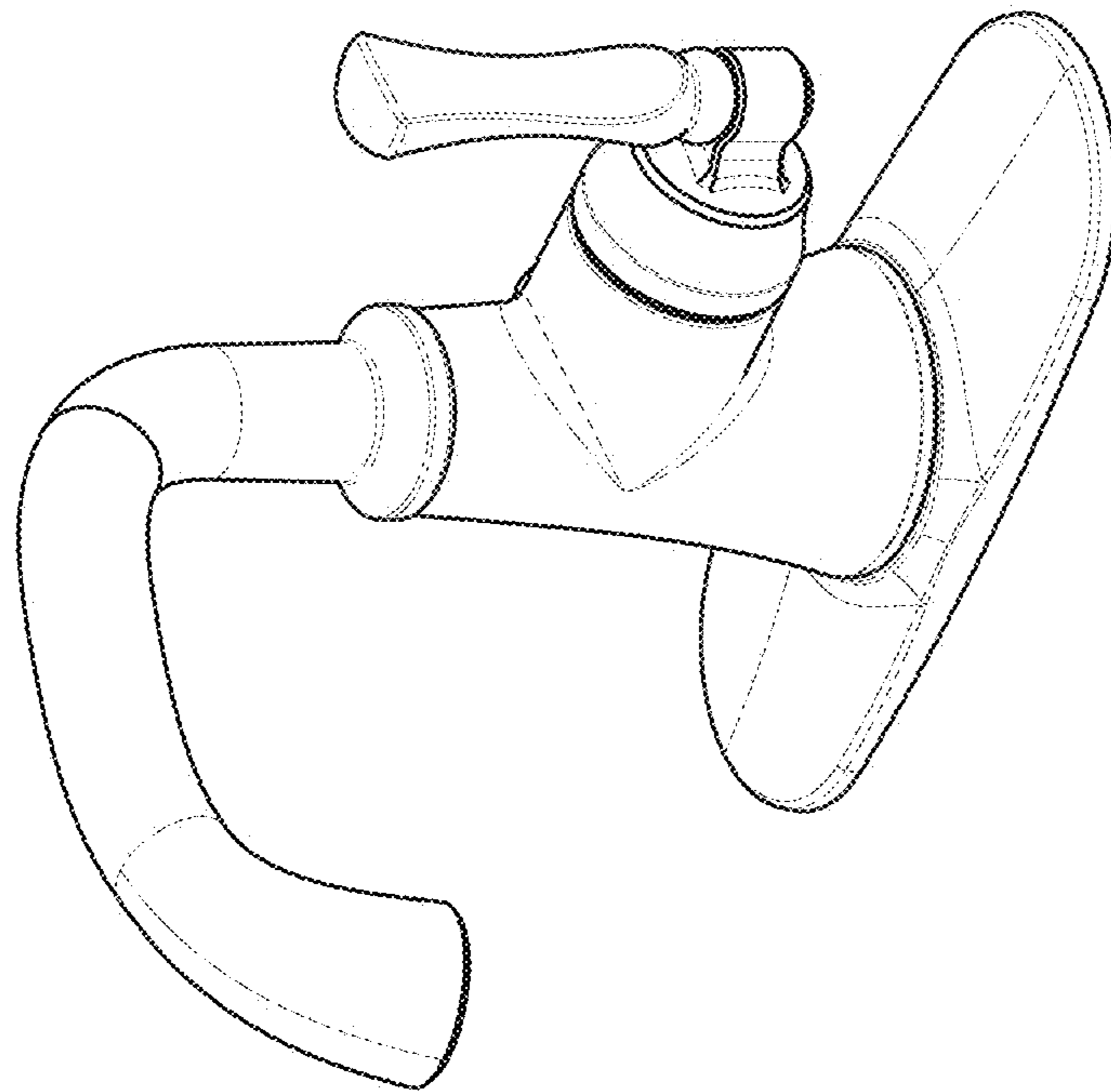


FIG - 1

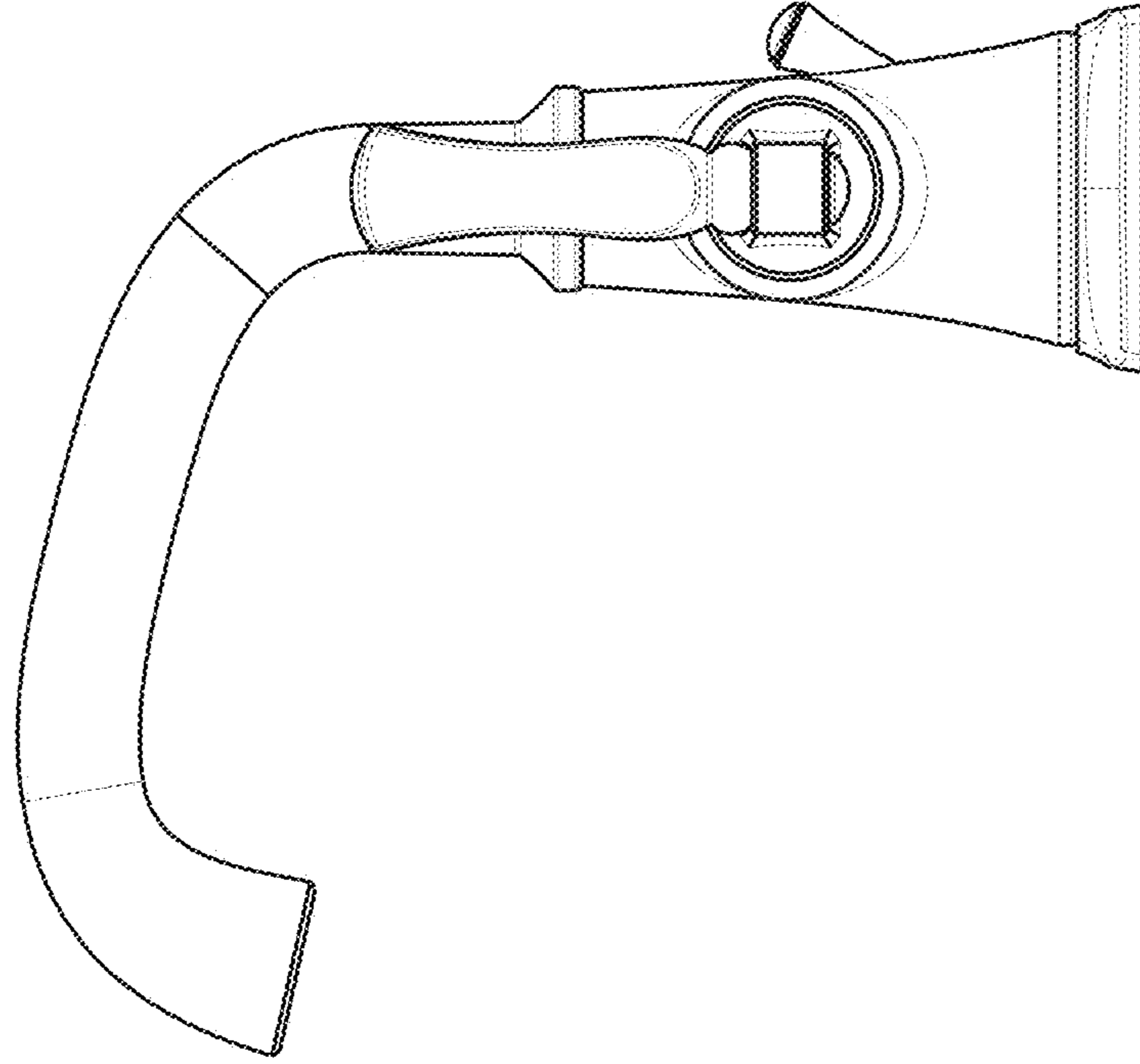


FIG - 4

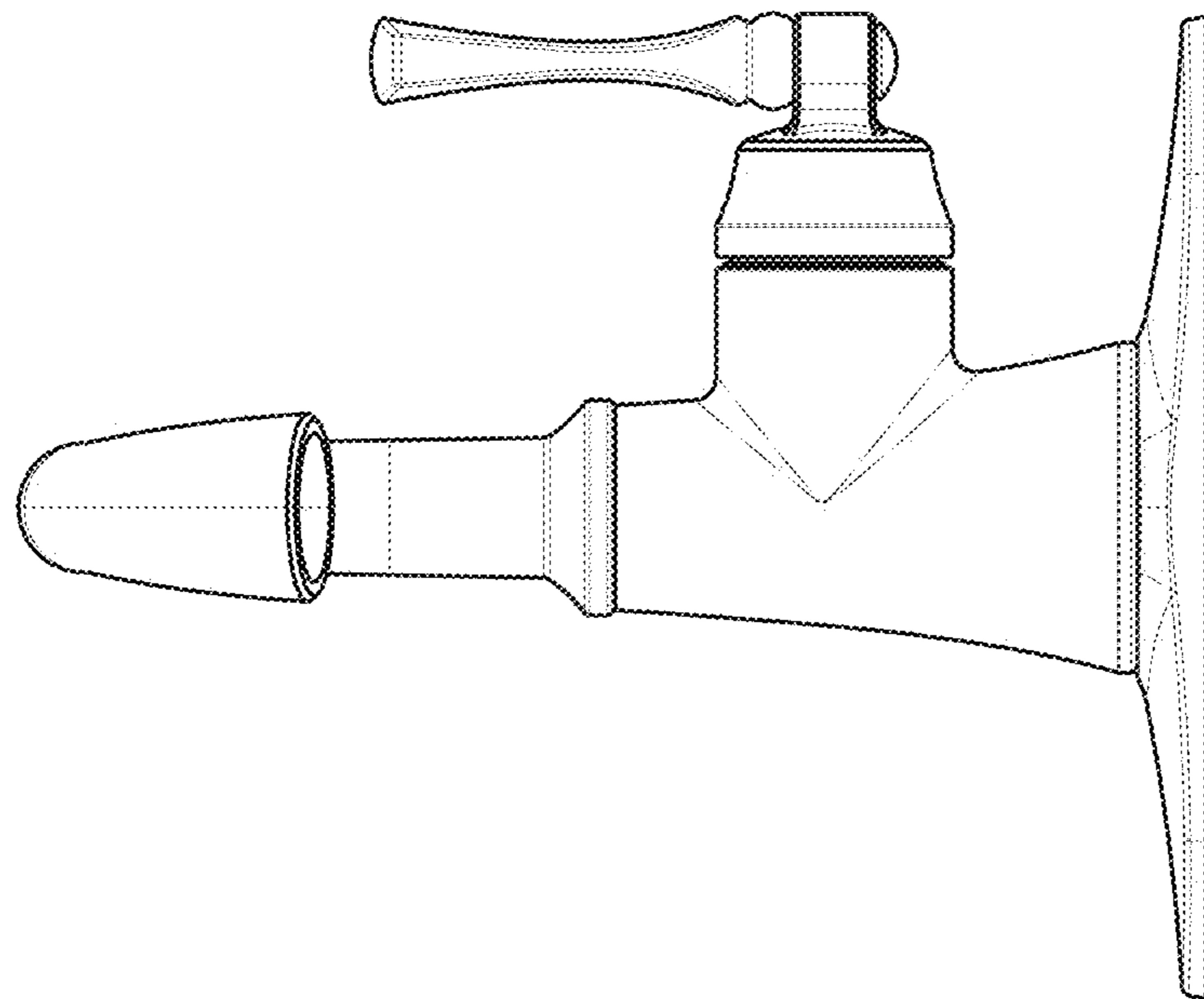


FIG - 3

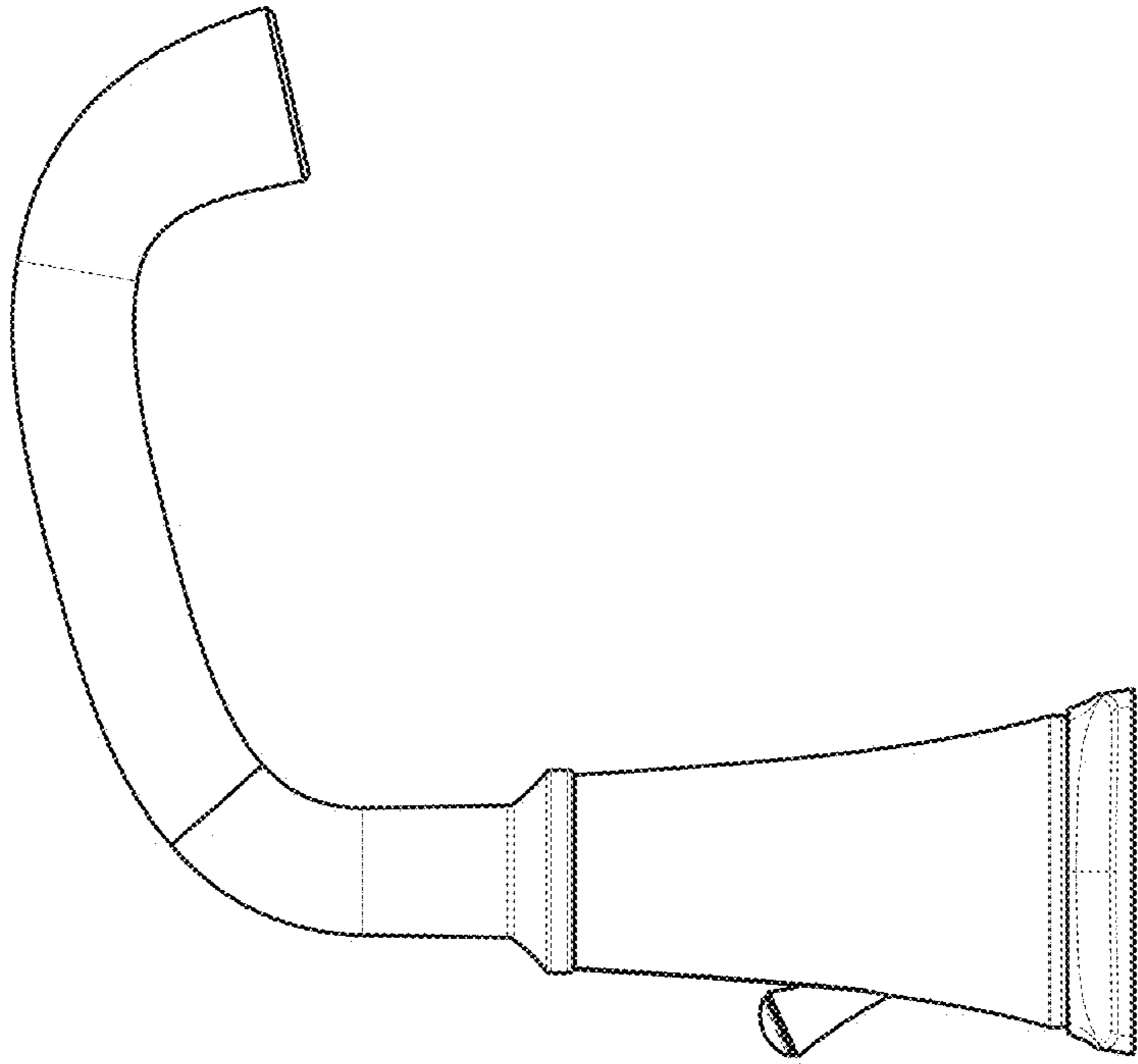


FIG - 6

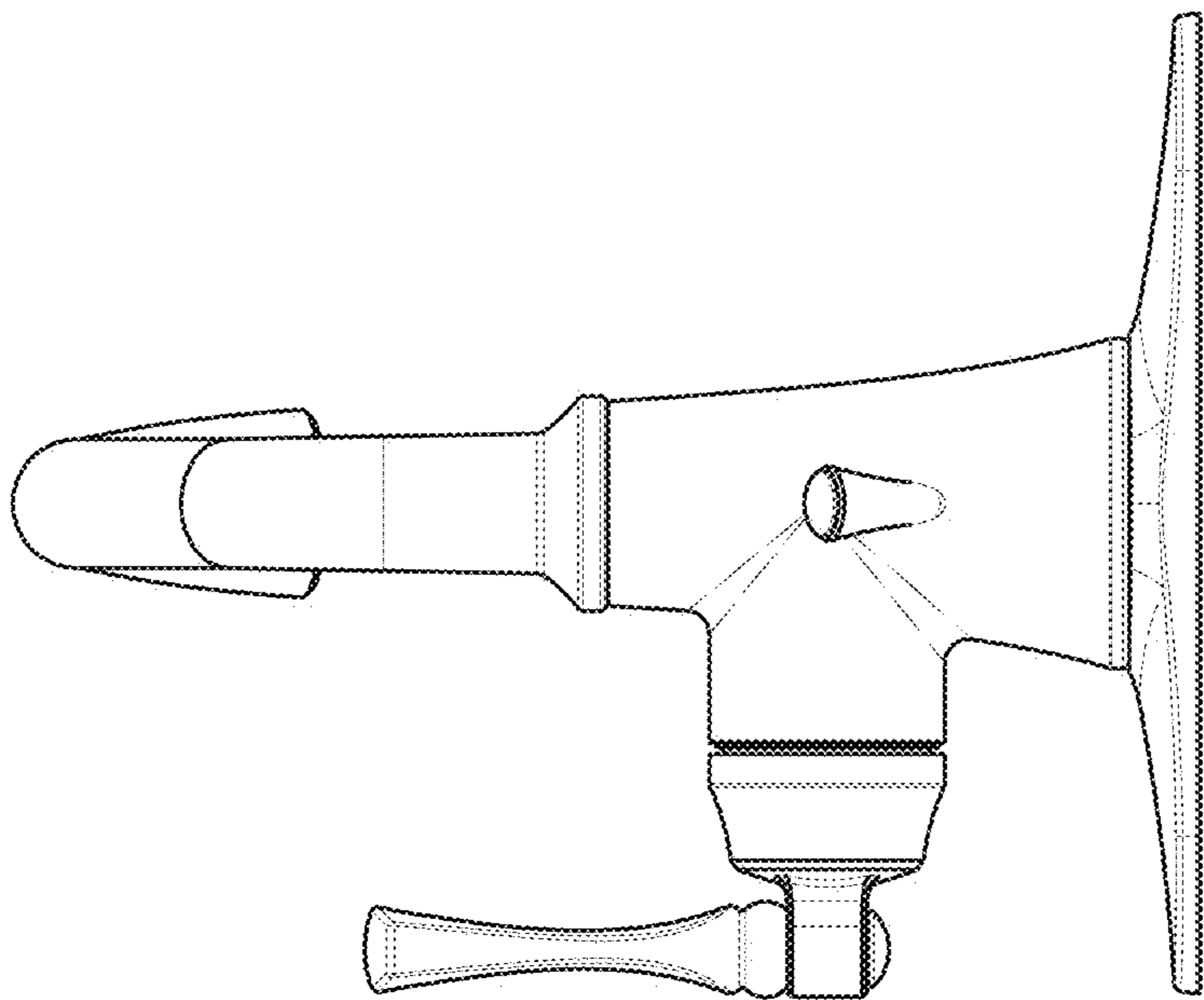


FIG - 5

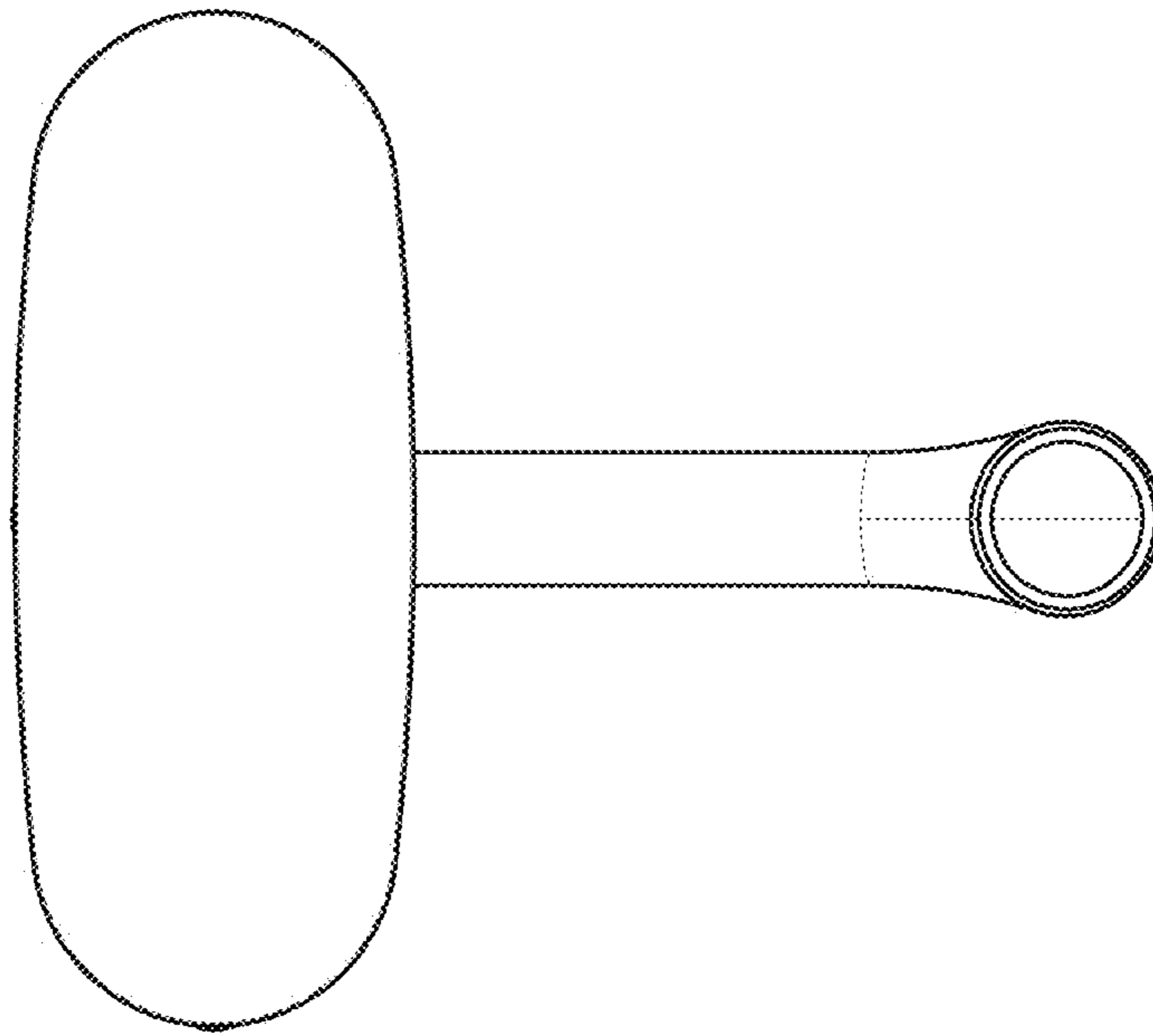


FIG - 8

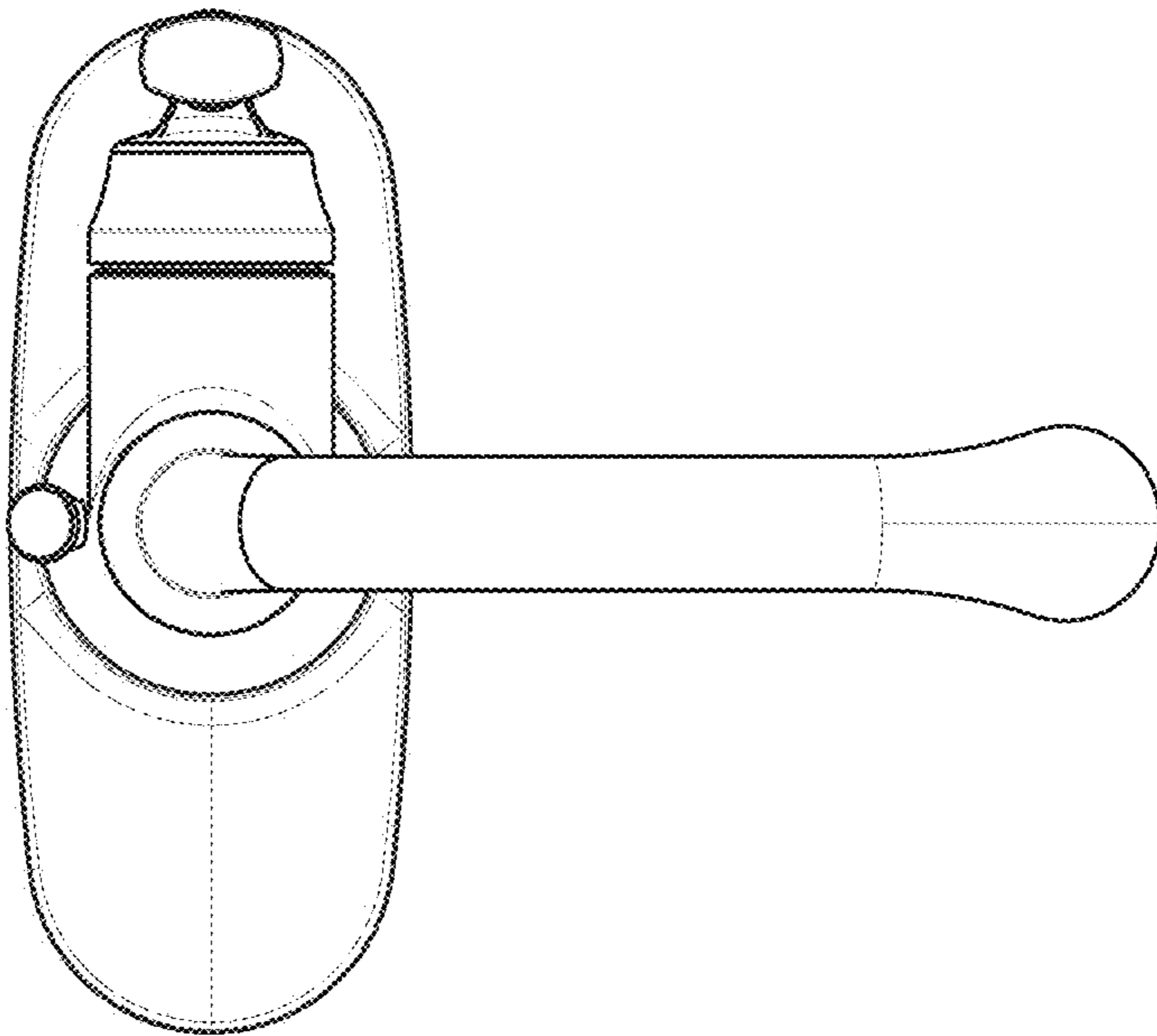


FIG - 7