



US00D940275S

(12) **United States Design Patent**
Zhang

(10) **Patent No.:** **US D940,275 S**
(45) **Date of Patent:** **** Jan. 4, 2022**

(54) **SHOWER HEAD**

(71) Applicant: **Xinrui Zhang**, Kaiping (CN)

(72) Inventor: **Xinrui Zhang**, Kaiping (CN)

(**) Term: **15 Years**

(21) Appl. No.: **29/751,495**

(22) Filed: **Sep. 22, 2020**

(51) **LOC (13) Cl.** **23-01**

(52) **U.S. Cl.**
USPC **D23/226**

(58) **Field of Classification Search**
USPC D23/213, 223, 224, 226, 228, 229, 238,
D23/239, 240, 241, 242, 250
CPC B05B 1/16; B05B 1/1618; B05B 1/18;
E03C 1/0401; E03C 1/0405; E03C
1/0408; E03C 1/066; E03C 2001/0415
See application file for complete search history.

(56) **References Cited**

U.S. PATENT DOCUMENTS

D320,643 S *	10/1991	Stansbury, Jr.	D23/226
5,145,114 A *	9/1992	Monch	B05B 1/1618 239/126
5,707,011 A *	1/1998	Bosio	B05B 1/1618 239/447
D404,116 S *	1/1999	Bosio	D23/223
D416,979 S *	11/1999	Bosio	D23/223
6,290,147 B1 *	9/2001	Bertrand	B05B 1/1618 239/444
D481,105 S *	10/2003	Wettstein	D23/238
D524,907 S *	7/2006	Bosch	D23/223
D542,887 S *	5/2007	Cutler	D23/223
D555,763 S *	11/2007	Nobili	D23/213
D559,946 S *	1/2008	Nobili	D23/213
D560,754 S *	1/2008	Nobili	D23/223
D591,398 S *	4/2009	Lammel	D23/238
D628,275 S *	11/2010	Lammel	D23/238
D788,265 S *	5/2017	Ho	D23/226
D910,817 S *	2/2021	Zhang	D23/238

2007/0018019 A1 *	1/2007	Nobili	B05B 12/02 239/581.1
2008/0023576 A1 *	1/2008	Boesch	E03C 1/0409 239/446
2009/0032610 A1 *	2/2009	Rosko	B05B 1/28 239/11
2009/0200401 A1 *	8/2009	Esche	B05B 12/002 239/525
2010/0084492 A1 *	4/2010	Gautschi	F21V 23/0442 239/525

(Continued)

OTHER PUBLICATIONS

Kaiying Handheld Shower Head, Sep. 13, 2018, Amazon, site visited Oct. 20, 2021: <https://www.amazon.ca/dp/B07GW7LP2C/> (Year: 2018).*

(Continued)

Primary Examiner — Jack Reickel
Assistant Examiner — Bobby W Jones, II
(74) *Attorney, Agent, or Firm* — Runit Ranjit Kanakia

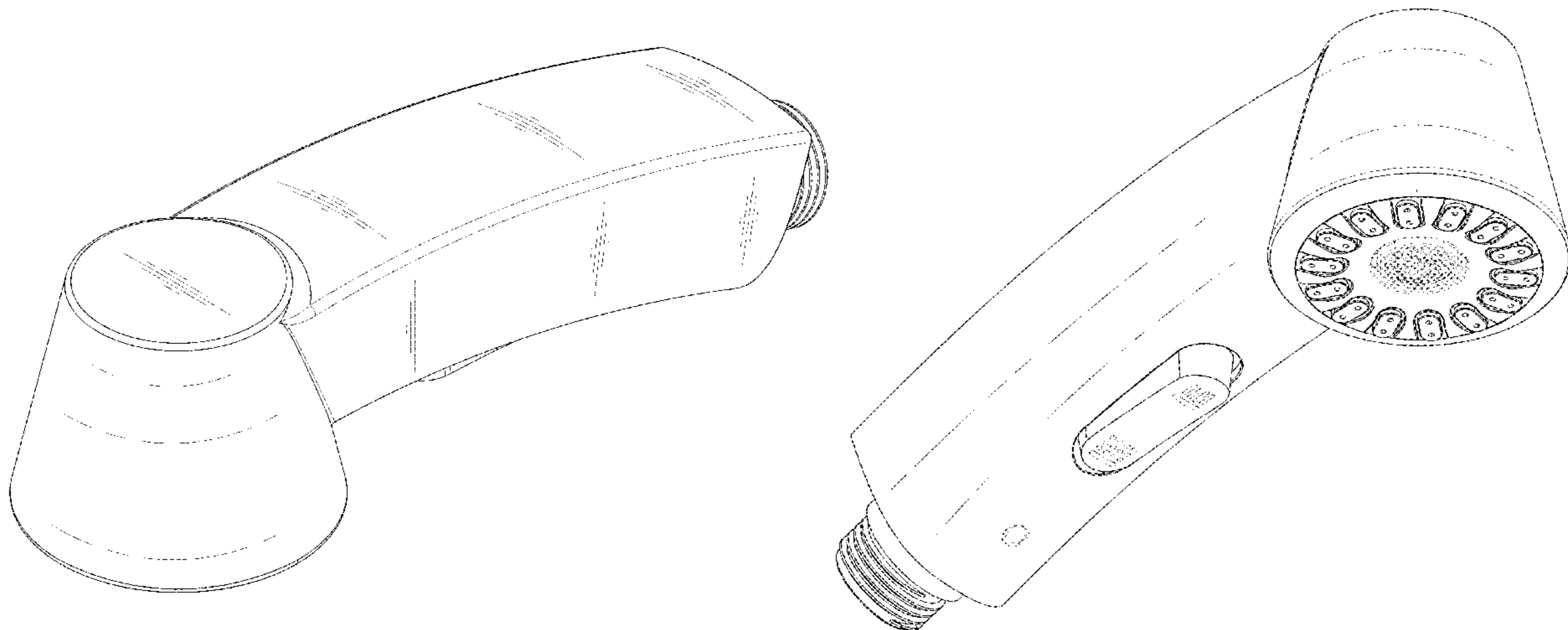
(57) **CLAIM**

I claim the ornamental design for a shower head, as shown and described.

DESCRIPTION

FIG. 1 is a Perspective view of a shower head showing my new design;
FIG. 2 is Other perspective view thereof;
FIG. 3 is a Front view thereof;
FIG. 4 is a Back view thereof;
FIG. 5 is a Right-side view thereof;
FIG. 6 is a Left-side view thereof;
FIG. 7 is a Top view thereof; and,
FIG. 8 is a Bottom view thereof.
The broken lines are for the purpose of illustrating portions of the article that form no part of the claim.

1 Claim, 8 Drawing Sheets



(56)

References Cited

U.S. PATENT DOCUMENTS

2013/0186496 A1* 7/2013 Hsu E03C 1/04
137/801
2013/0299608 A1* 11/2013 Spangler B05B 1/08
239/444
2017/0182503 A1* 6/2017 Moehring B05B 1/169
2017/0183847 A1* 6/2017 Ho E03C 1/0405
2020/0122187 A1* 4/2020 DiStefano B05C 11/1026

OTHER PUBLICATIONS

Every Drop Is Precious Shower Head, Sep. 28, 2012, Amazon, site visited Oct. 20, 2021: <https://www.amazon.co.uk/dp/B009IKJ5X6/> (Year: 2012).*

Pull Out Faucet Sprayer Shower, May 27, 2020, Amazon, site visited Oct. 20, 2021: <https://www.amazon.co.uk/dp/B07HB57WYS/> (Year: 2020).*

* cited by examiner

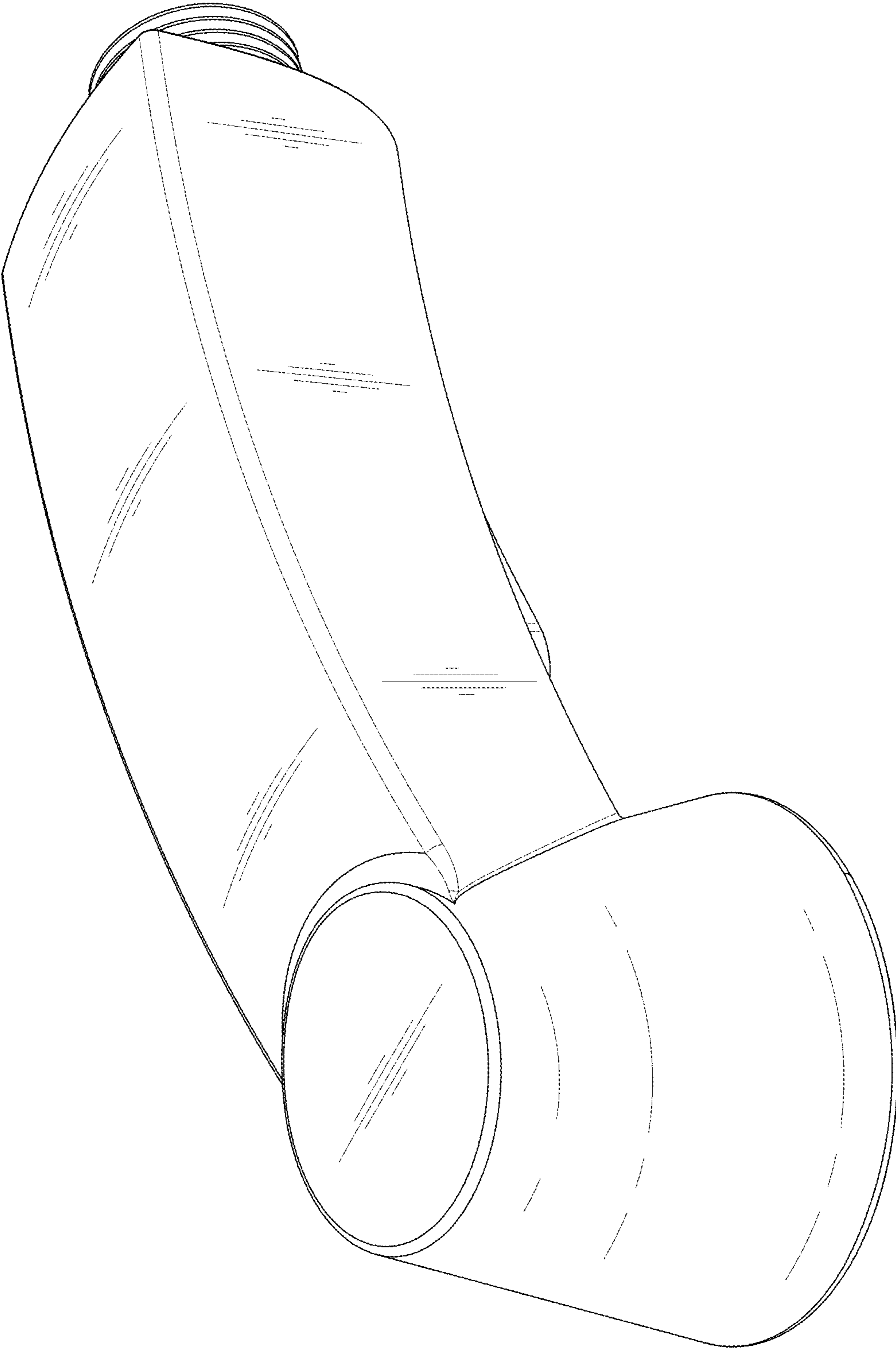


FIG. 1

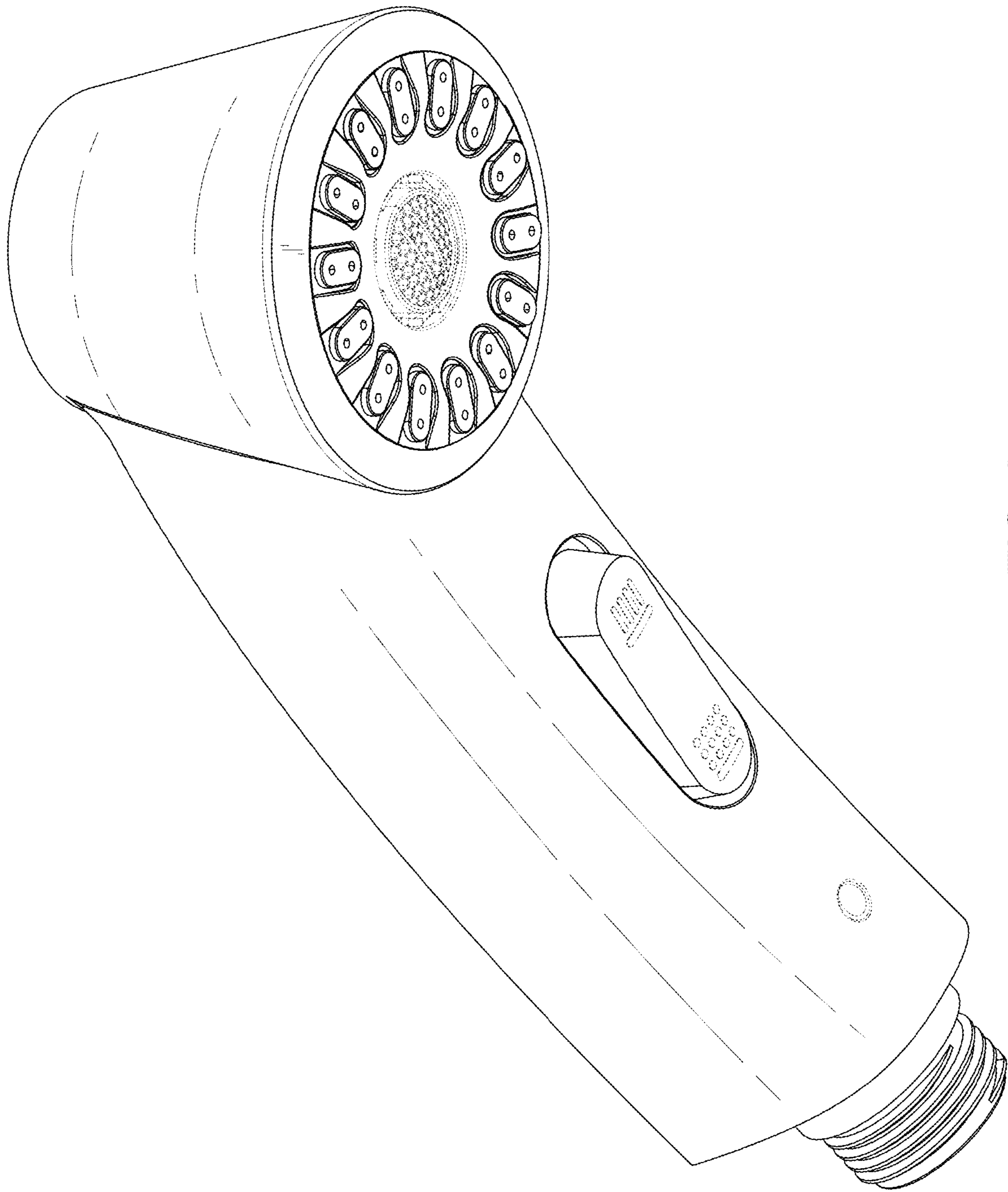


FIG. 2

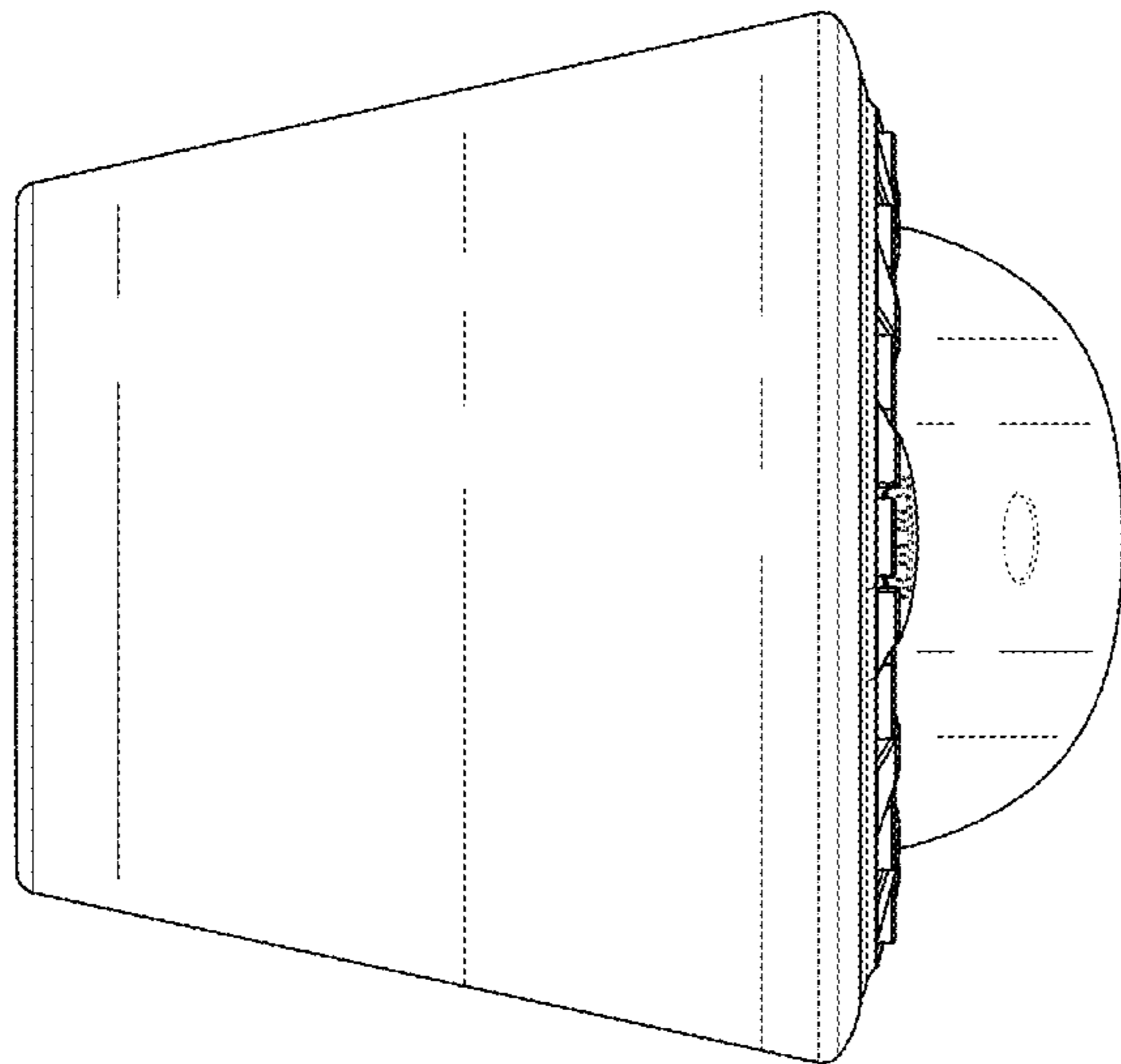


FIG. 3

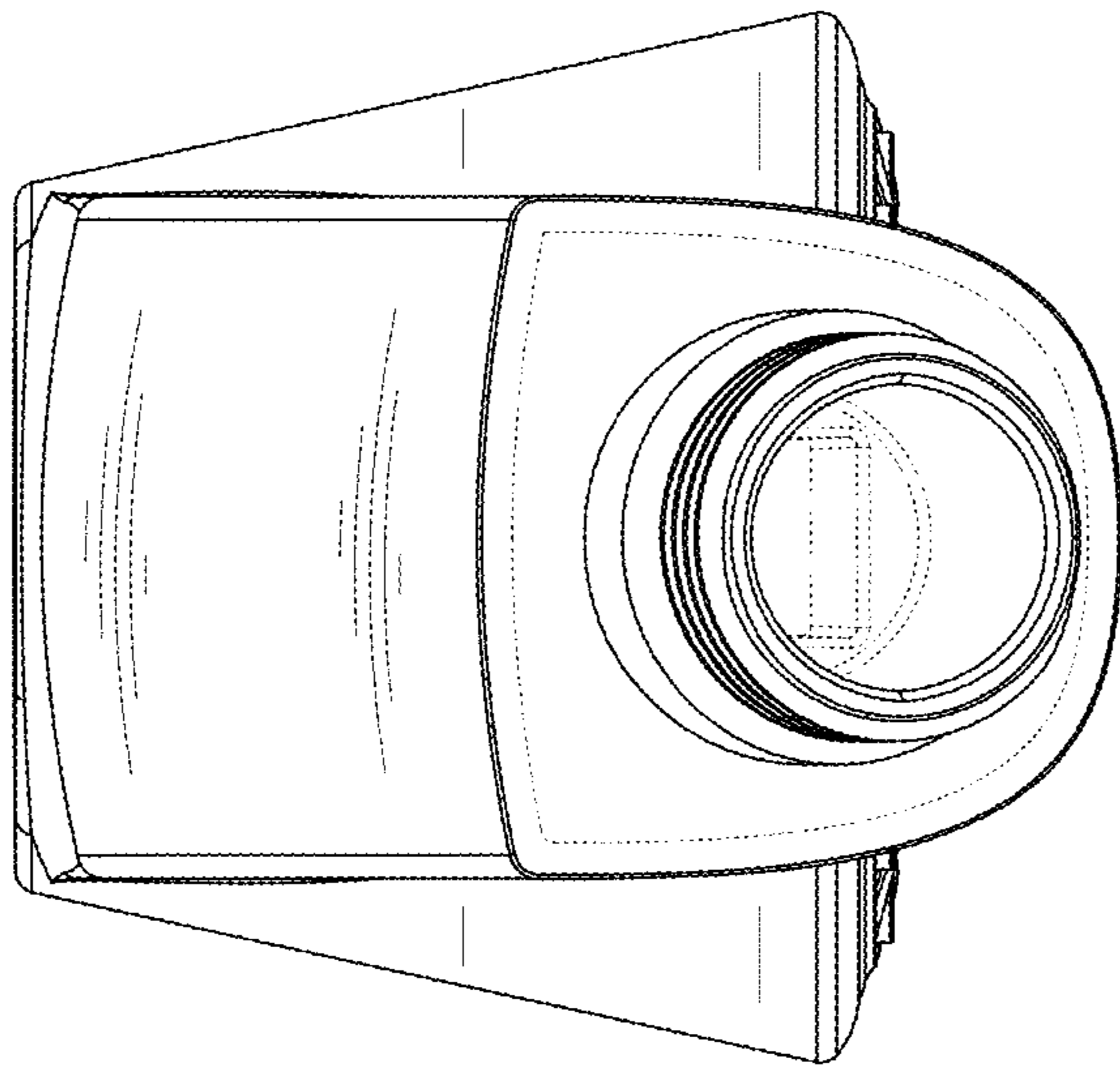


FIG. 4

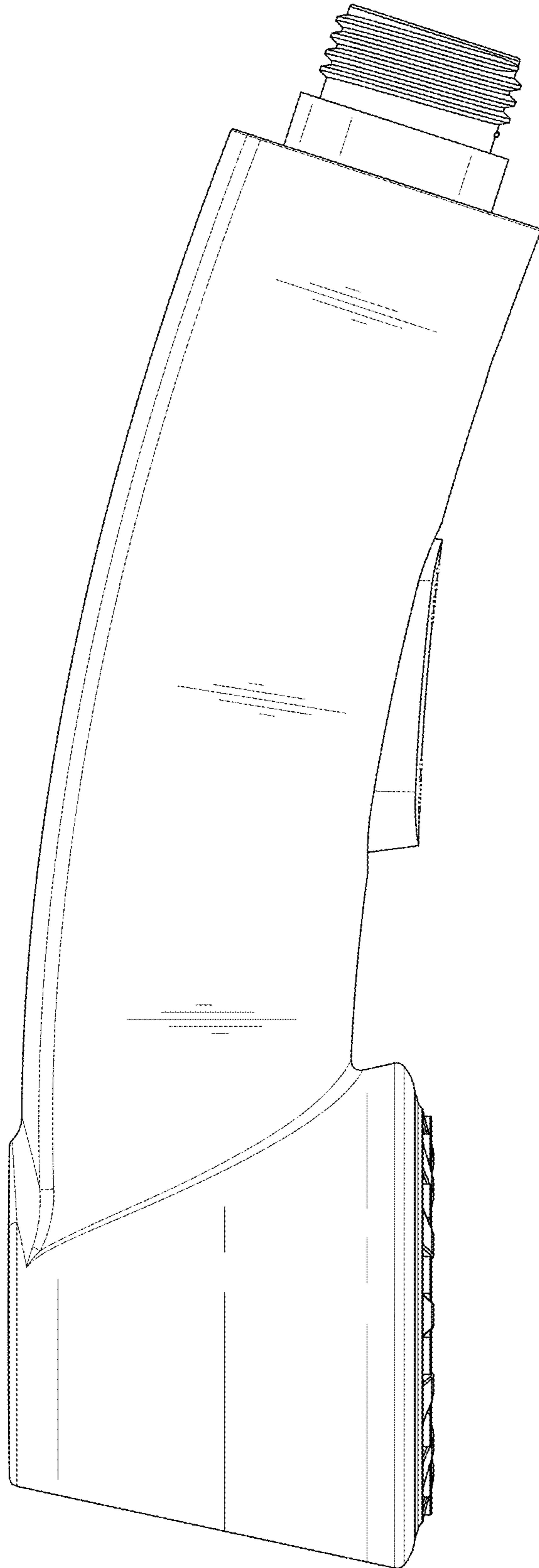


FIG. 5

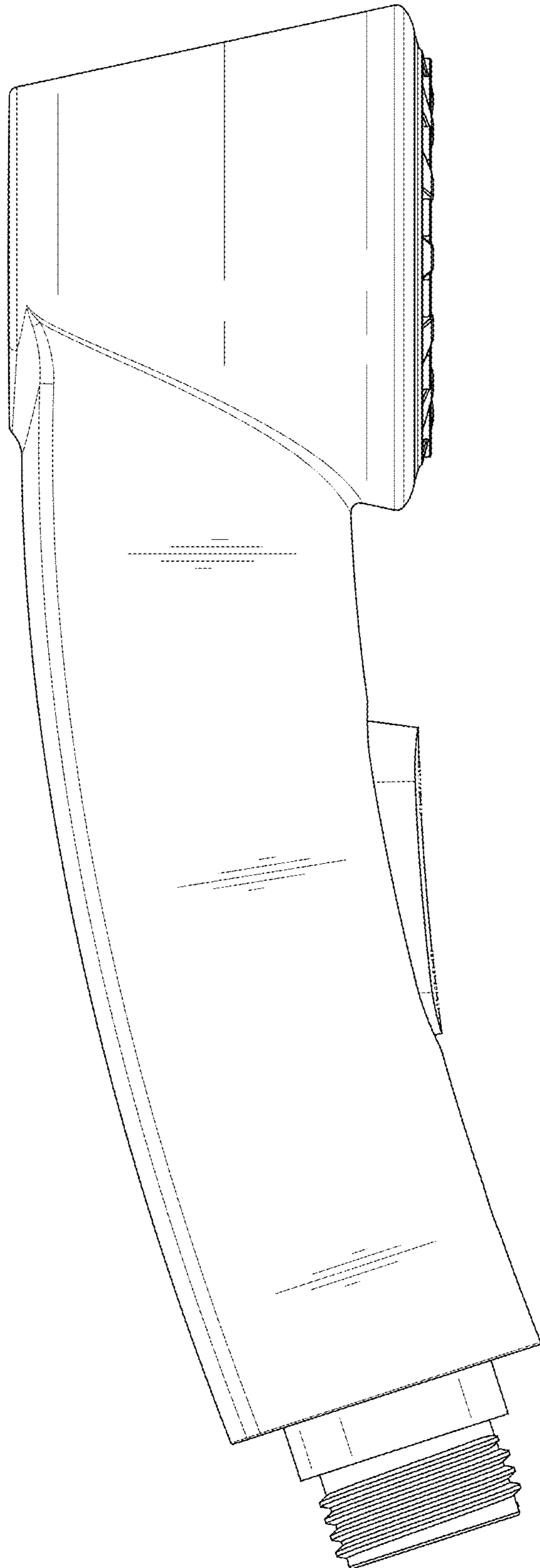


FIG. 6

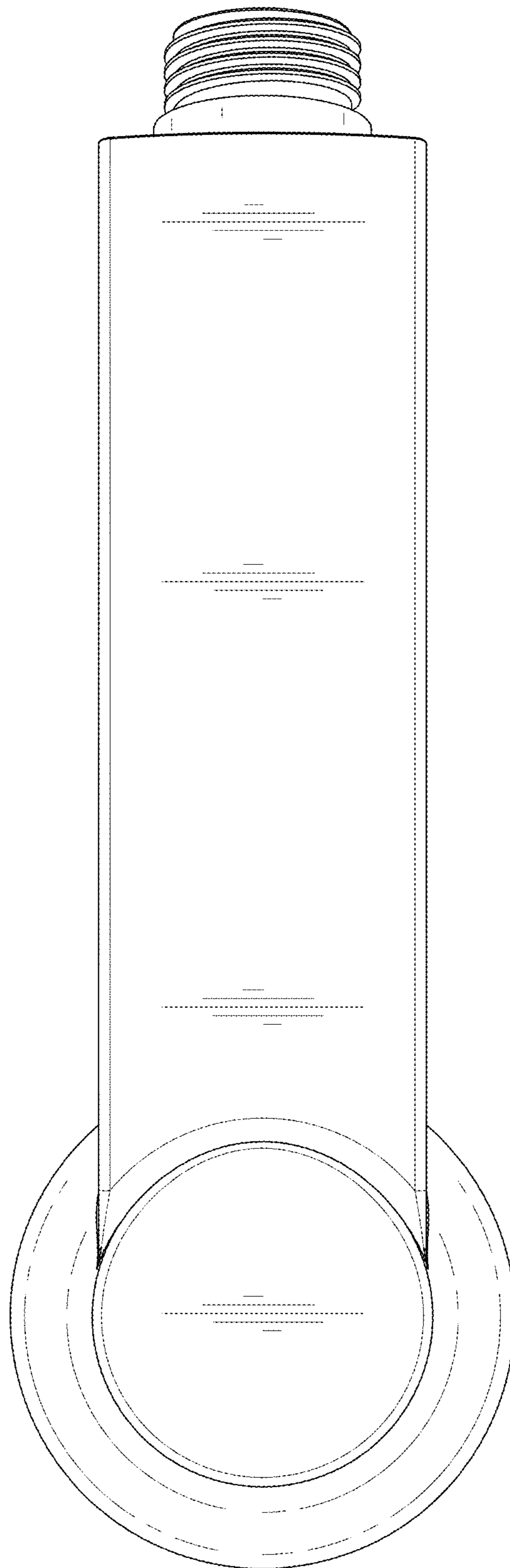


FIG. 7

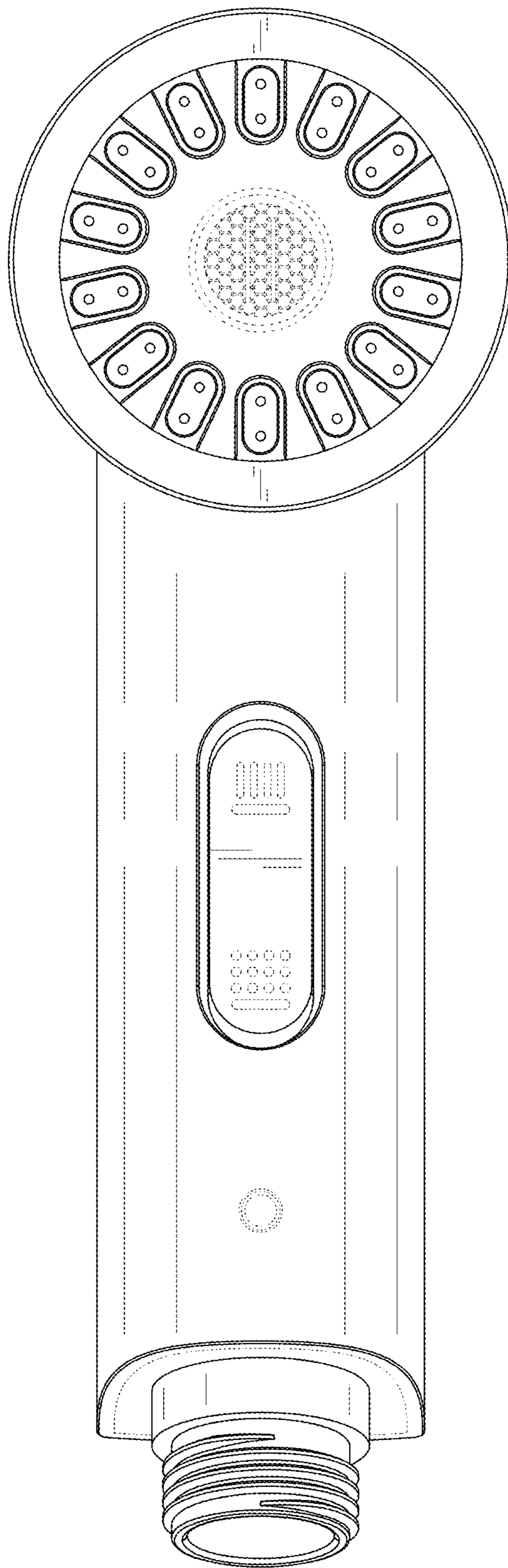


FIG. 8