



US00D940273S

(12) **United States Design Patent**
Huang

(10) **Patent No.:** **US D940,273 S**
(45) **Date of Patent:** **** Jan. 4, 2022**

(54) **SPRAYER HEAD**

(71) Applicant: **Zhuhua Huang**, Shenzhen (CN)

(72) Inventor: **Zhuhua Huang**, Shenzhen (CN)

(**) Term: **15 Years**

(21) Appl. No.: **29/706,258**

(22) Filed: **Sep. 19, 2019**

(51) **LOC (13) Cl.** **23-01**

(52) **U.S. Cl.**
USPC **D23/226**

(58) **Field of Classification Search**
USPC D23/213, 223, 226, 228, 229, 230, 238,
D23/239, 240, 241, 249
CPC B05B 1/16; B05B 1/1618; B05B 1/18;
B05B 1/185; E03C 1/0405; E03C 1/06;
E03C 1/063; E03C 1/066; E03C 1/084;
E03C 2001/0415

See application file for complete search history.

(56) **References Cited**

U.S. PATENT DOCUMENTS

5,624,074	A *	4/1997	Parisi	E03C 1/04 239/588
D420,726	S *	2/2000	Slothower	D23/257
6,234,192	B1 *	5/2001	Esche	B65H 75/4478 137/355.25
D513,526	S *	1/2006	Marshall	D23/238
D514,194	S *	1/2006	Sener	D23/213
D520,114	S *	5/2006	Starck	D23/238
D532,862	S *	11/2006	Chung	D23/213
D533,917	S *	12/2006	Chung	D23/213
D538,393	S *	3/2007	Chung	D23/223
D562,943	S *	2/2008	Nobili	D23/223
8,413,686	B2 *	4/2013	Ko	E03C 1/0404 137/801
8,713,725	B2 *	5/2014	Alder	E03C 1/0404 4/678

D786,404	S *	5/2017	Kaule	D23/238
D844,109	S *	3/2019	Rexach	D23/238
10,227,756	B2 *	3/2019	Bosio	E03C 1/0405
10,245,606	B2 *	4/2019	Chiu	E03C 1/0404
D857,844	S *	8/2019	Levi	D23/238

(Continued)

OTHER PUBLICATIONS

“Appaso ASP139BN”, Jul. 26, 2019, Amazon, site visited Apr. 5, 2021: <https://www.amazon.ca/dp/B07TYTFGWC/> (Year: 2019).*
(Continued)

Primary Examiner — Jack Reickel
Assistant Examiner — Bobby W Jones, II
(74) *Attorney, Agent, or Firm* — Runit Ranjit Kanakia

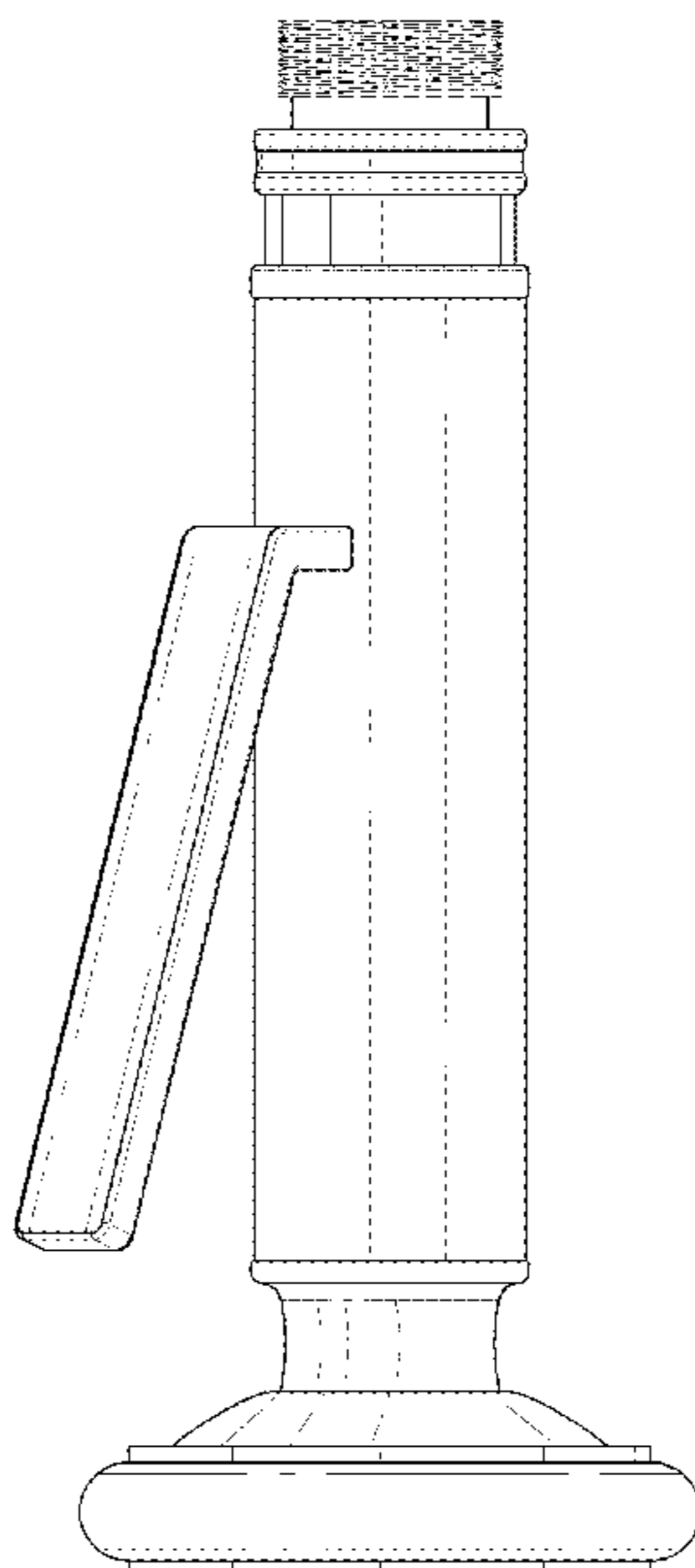
(57) **CLAIM**

I claim the ornamental design for a sprayer head, as shown and described.

DESCRIPTION

FIG. 1 is a Perspective view of a sprayer head showing my new design;
FIG. 2 is other perspective view of the sprayer head as shown in FIG. 1;
FIG. 3 is a Front view of the sprayer head as shown in FIG. 1;
FIG. 4 is a Back view of the sprayer head as shown in FIG. 1;
FIG. 5 is a Right-side view of the sprayer head as shown in FIG. 1;
FIG. 6 is a Left-side view of the sprayer head as shown in FIG. 1;
FIG. 7 is a Top view of the sprayer head as shown in FIG. 1; and,
FIG. 8 is a Bottom view of the sprayer head as shown in FIG. 1.
The broken lines are only for environmental purposes and form no part of the claimed design.

1 Claim, 7 Drawing Sheets



(56)

References Cited

U.S. PATENT DOCUMENTS

10,393,363 B2 * 8/2019 Weaver F21V 7/0066
2009/018892 A1 * 7/2009 Hsueh B05B 1/169
239/231

OTHER PUBLICATIONS

“WENKEN Commercial Kitchen Faucet” Aug. 28, 2019, Amazon,
site visited Apr. 5, 2021: <https://www.amazon.ca/dp/B07T6TH23Z/>
(Year: 2019).*

* cited by examiner

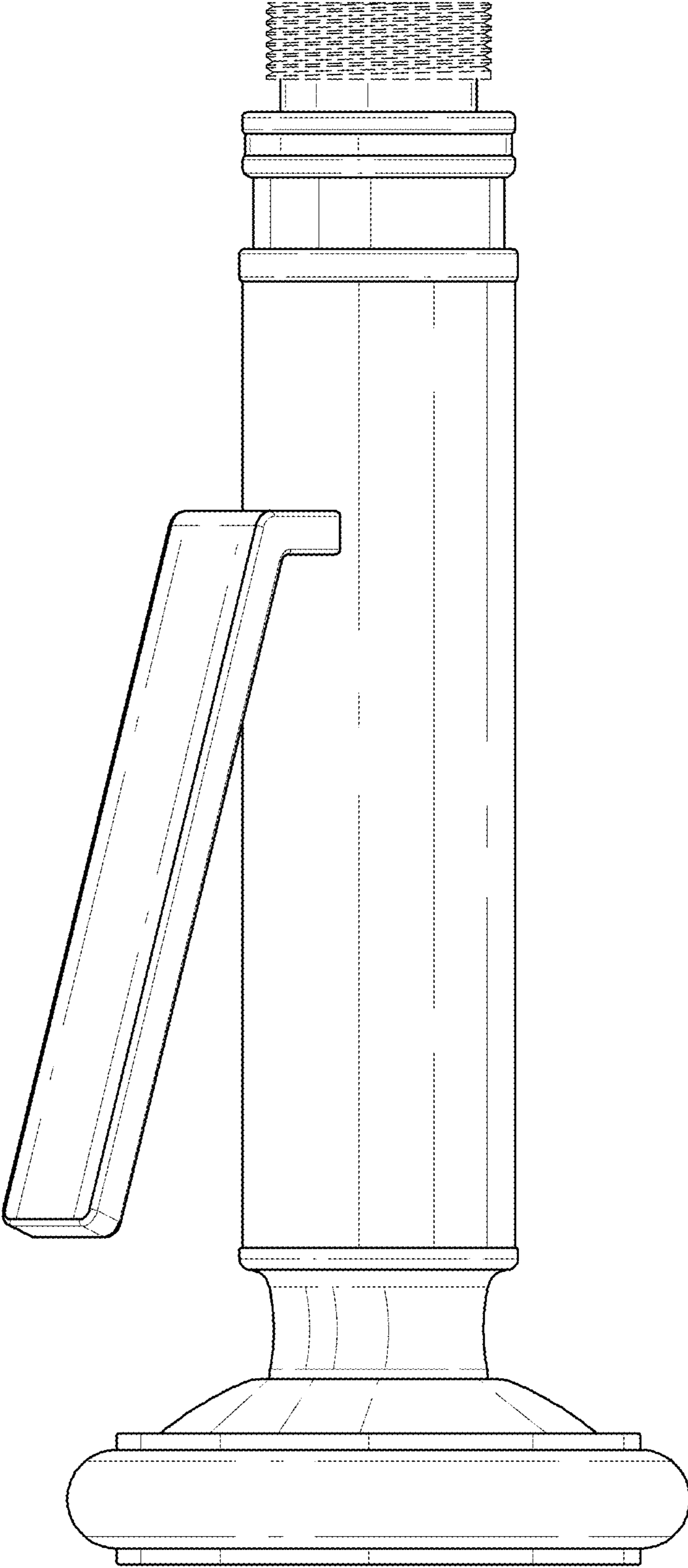


FIG. 1

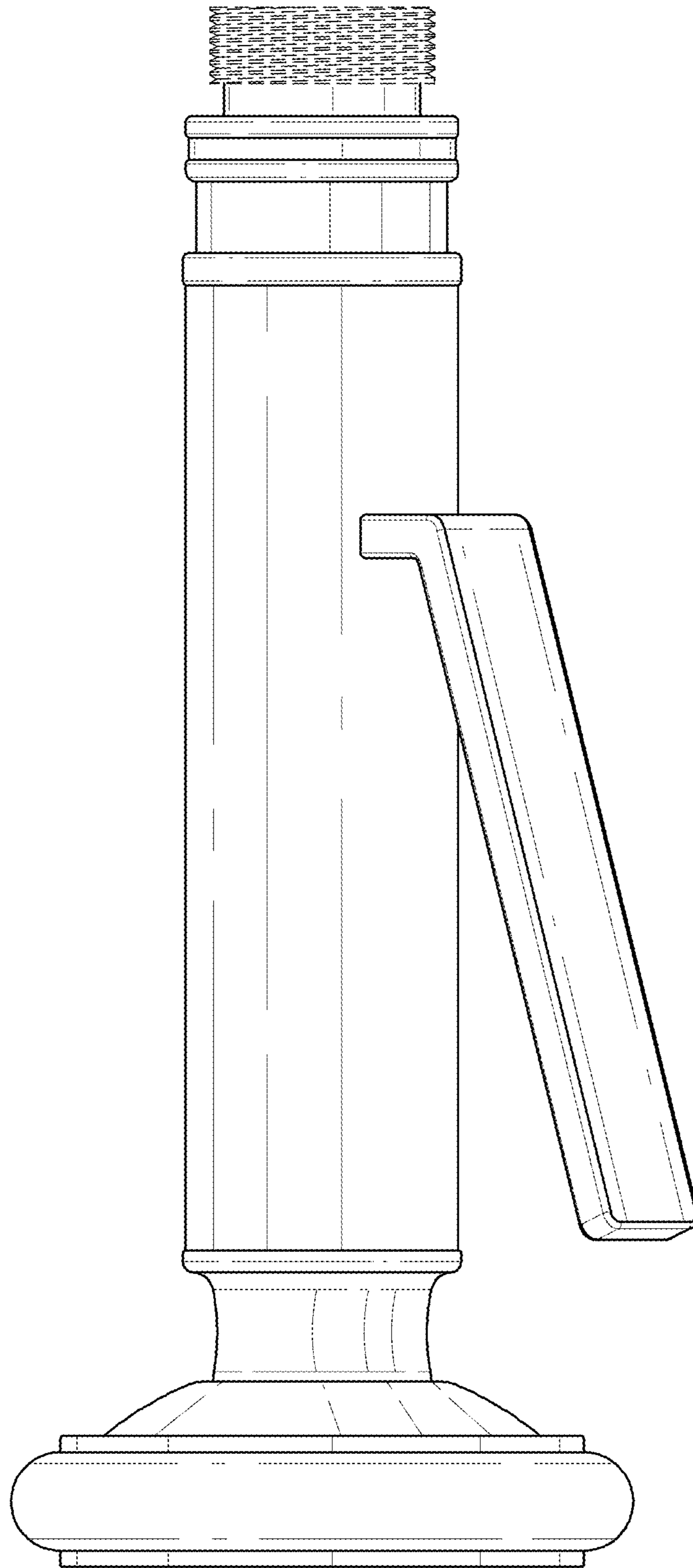


FIG. 2

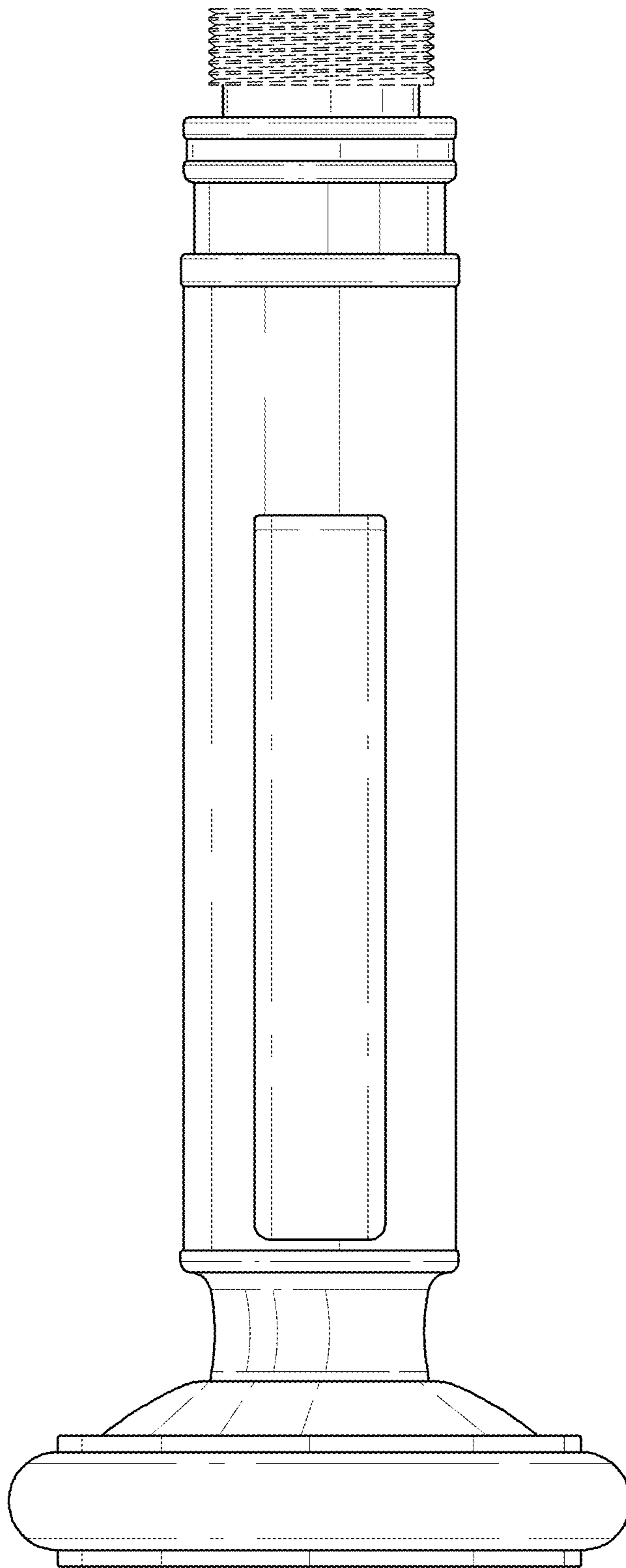


FIG. 3

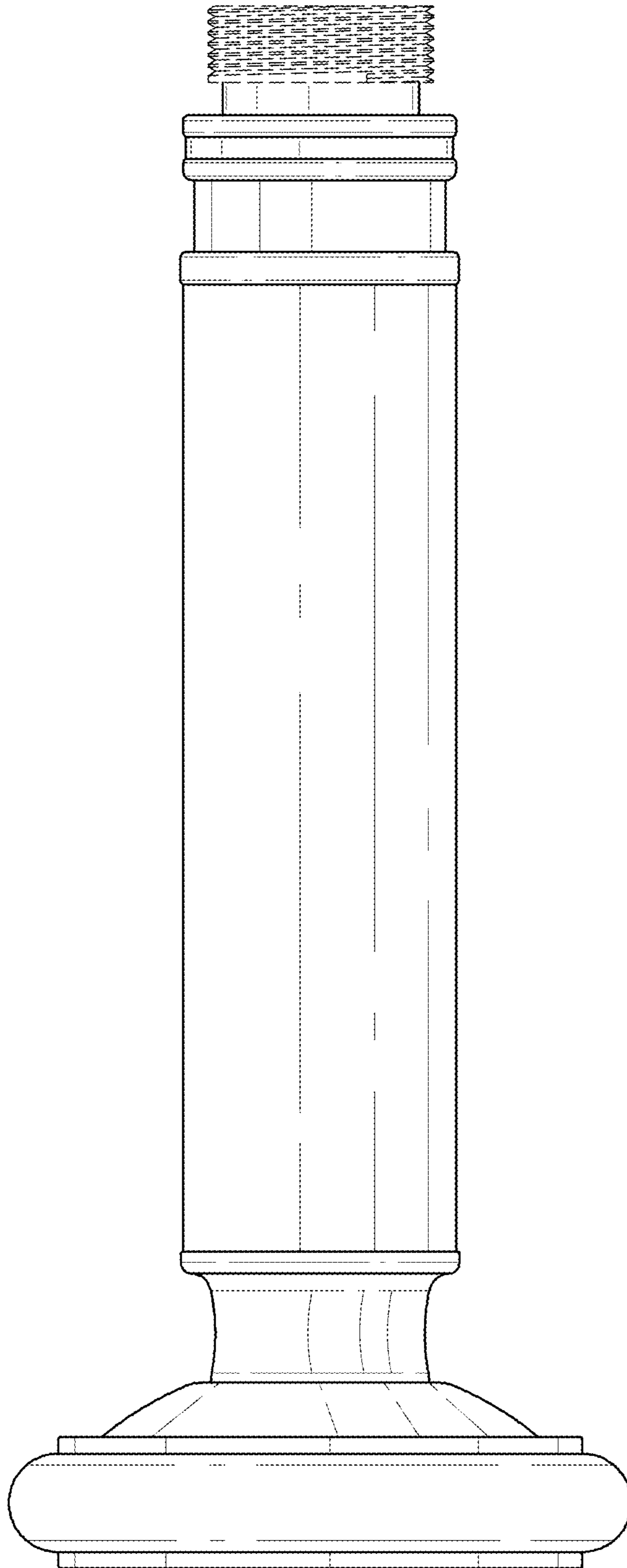


FIG. 4

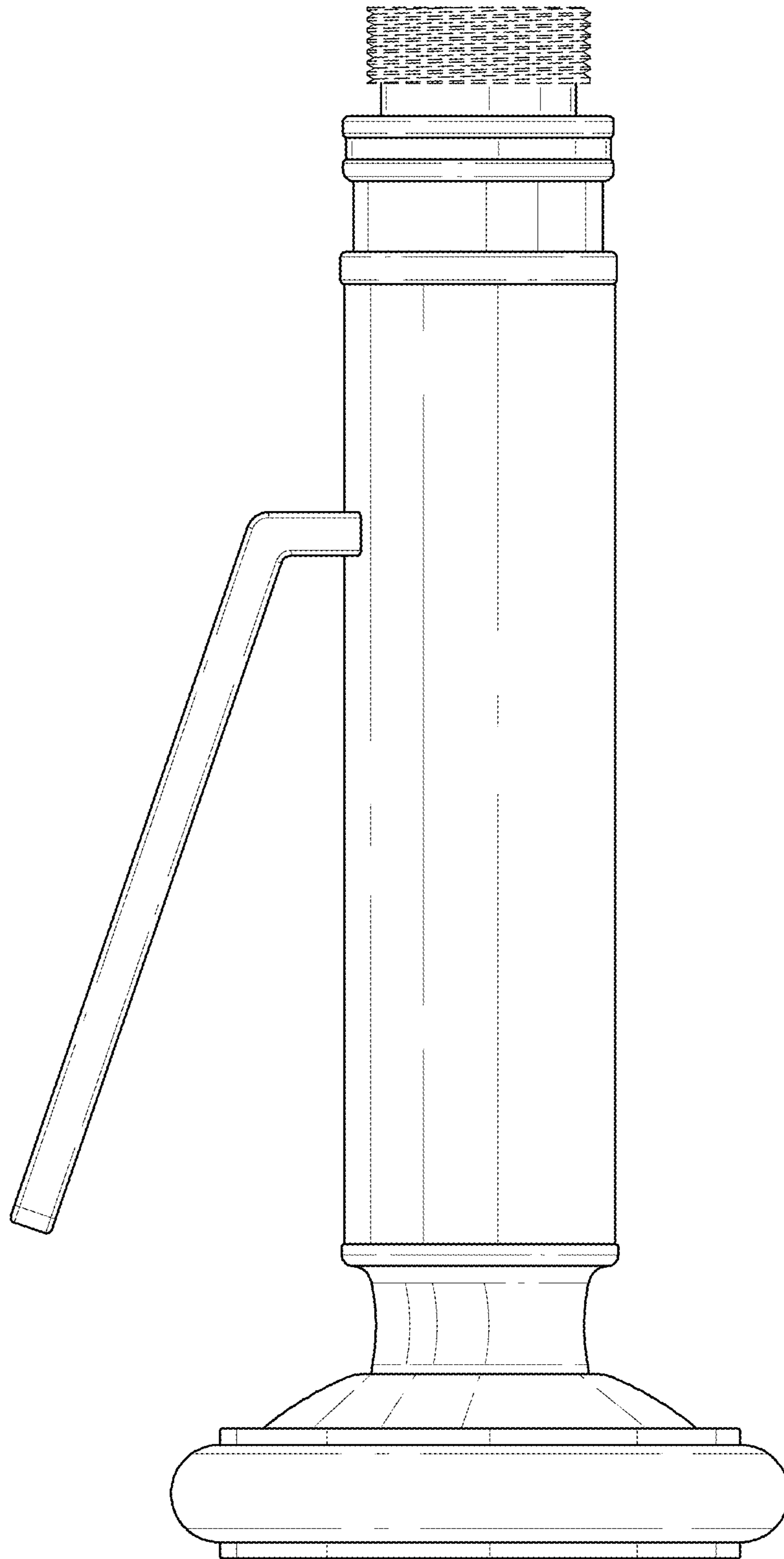


FIG. 5

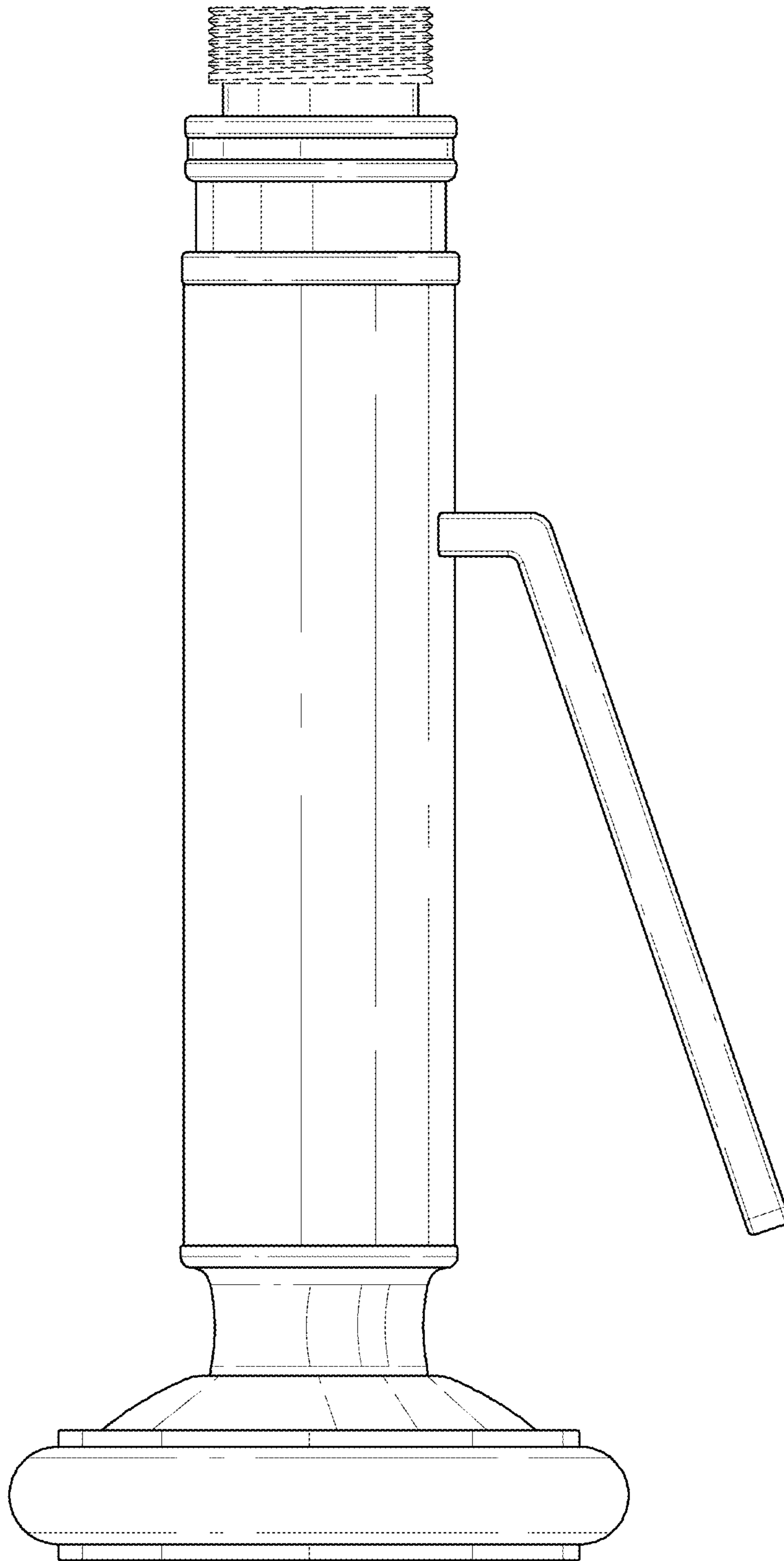


FIG. 6

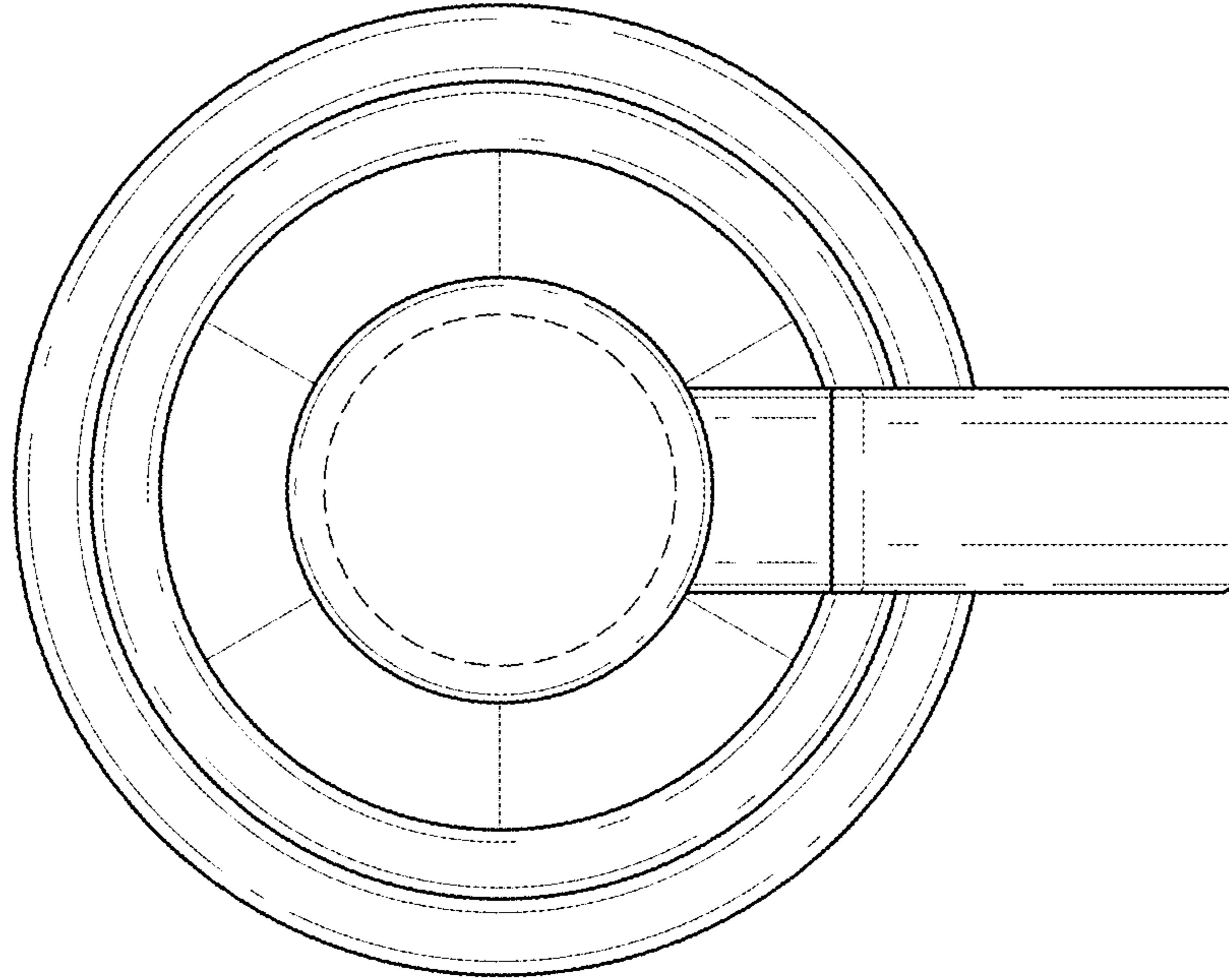


FIG. 7

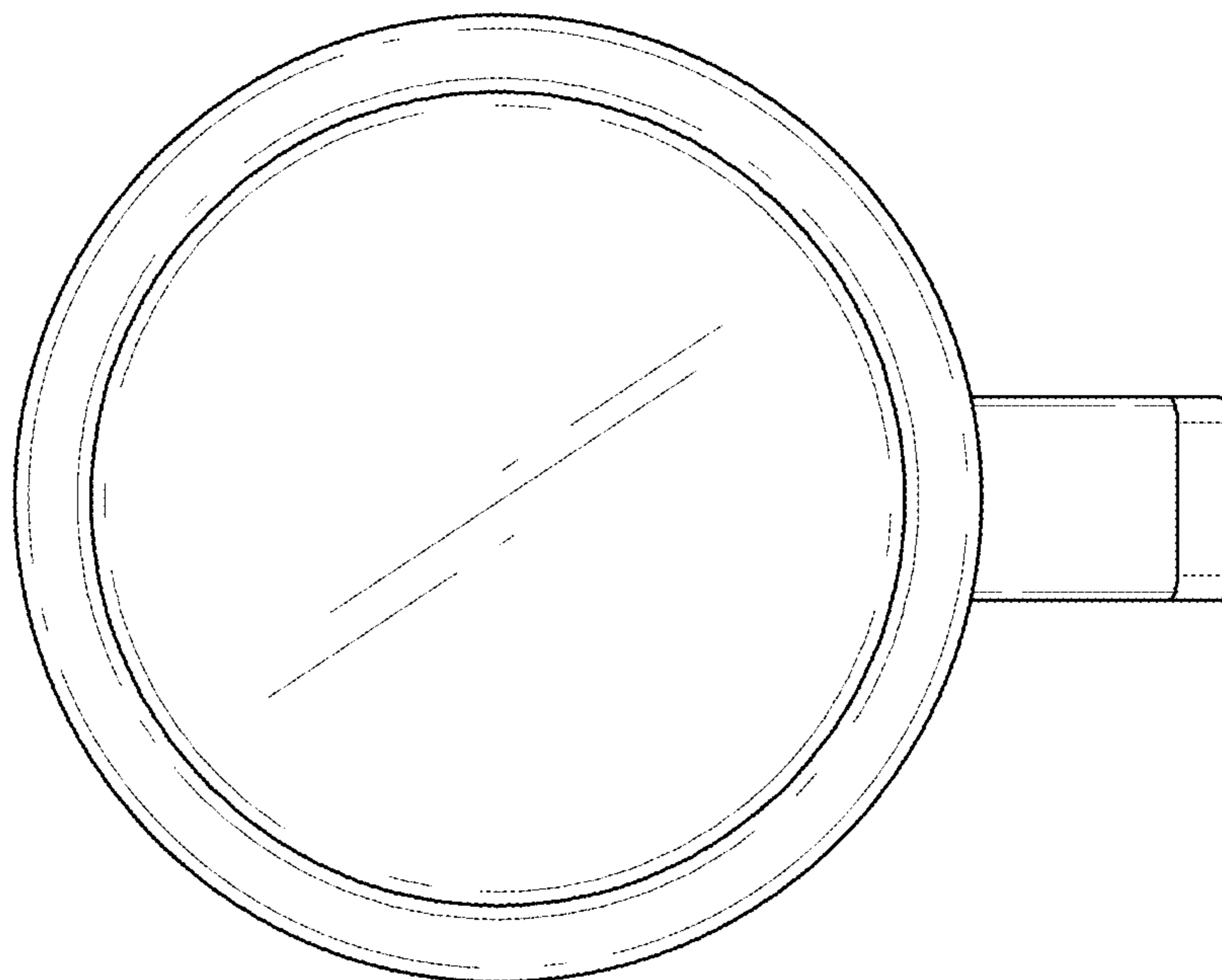


FIG. 8