



US00D940270S

(12) **United States Design Patent**
Hillinger

(10) **Patent No.:** **US D940,270 S**
(45) **Date of Patent:** **** Jan. 4, 2022**

(54) **FIRE NOZZLE**

(71) Applicant: **Craig Hillinger**, Bronson, IA (US)

(72) Inventor: **Craig Hillinger**, Bronson, IA (US)

(**) Term: **15 Years**

(21) Appl. No.: **29/702,486**

(22) Filed: **Aug. 20, 2019**

(51) **LOC (13) Cl.** **23-01**

(52) **U.S. Cl.**
USPC **D23/214**

(58) **Field of Classification Search**
USPC D23/208–210, 213–215, 223, 224, 226,
D23/229, 230, 266–269; D8/1; D7/400
CPC A61H 9/0021; A61H 33/00; B05B 1/00;
B05B 1/14; B05B 1/185; B05B 1/08;
B05B 1/02; B05B 1/26; B05B 12/002;
B05B 1/18; B05B 9/01
See application file for complete search history.

(56) **References Cited**

U.S. PATENT DOCUMENTS

2,993,650	A	7/1961	Badberg	
4,700,894	A	10/1987	Grzych	
5,839,667	A	11/1998	Fischer	
6,398,136	B1	6/2002	Smith	
D551,318	S *	9/2007	MacNeil	D23/209
D643,090	S *	8/2011	Cumberland	D23/209
D643,508	S *	8/2011	Wilkinson	D23/209
D658,342	S *	4/2012	Danak	D32/25
D675,297	S *	1/2013	Kim	D23/266
D686,296	S *	7/2013	Melzer	D23/209
D691,418	S *	10/2013	Minton	D7/400
D753,791	S *	4/2016	Rashid	D23/209
9,802,844	B2 *	10/2017	Elliott	C02F 1/50
D884,865	S *	5/2020	Damon	D23/365

D902,651	S *	11/2020	Lee	D7/400
D912,203	S *	3/2021	Andersen	D23/213
D912,221	S *	3/2021	Bayless	D23/266

(Continued)

FOREIGN PATENT DOCUMENTS

CN	2677039	2/2005
CN	1921368	8/2011

(Continued)

OTHER PUBLICATIONS

Stelton Tea Infuser Box Clear, Aug. 21, 2018, Amazon.com, Apr. 5, 2021 : URL: <https://www.amazon.com/Stelton-Infuser-Stainless-Debiasi-Federico/dp/B0792CN5TK/> (Year: 2018).*
(Continued)

Primary Examiner — Jack Reickel
Assistant Examiner — Keith J Wilson
(74) *Attorney, Agent, or Firm* — BrownWinick Law Firm;
Jordan Meggison-Decker

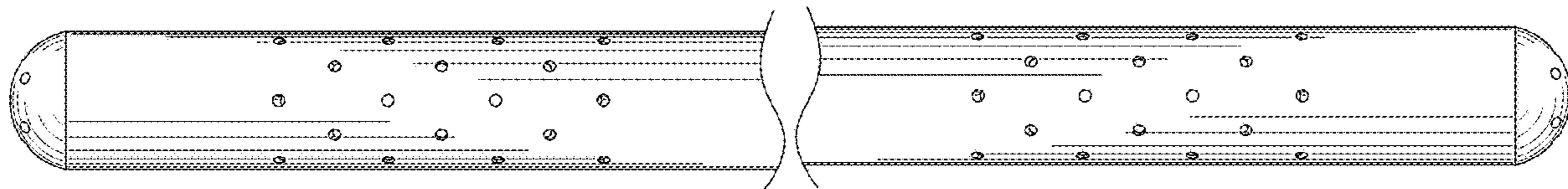
(57) **CLAIM**

The ornamental design for a fire nozzle, as shown and described.

DESCRIPTION

FIG. 1 is a left side view of a fire nozzle showing my new design;
FIG. 2 is a right side view of the fire nozzle;
FIG. 3 is a rear view of the fire nozzle;
FIG. 4 is a front view of the fire nozzle;
FIG. 5 is an additional left side view of the fire nozzle;
FIG. 6 is an additional right side view of the fire nozzle; and,
FIG. 7 is a top front side perspective view of the fire nozzle.
The fire nozzle is shown with a break to indicate non-specified length. The appearance of any portion of the article between the break lines forms no part of the claimed design.

1 Claim, 4 Drawing Sheets



(56)

References Cited

U.S. PATENT DOCUMENTS

D912,276 S * 3/2021 Denton D25/56
 10,960,415 B1 * 3/2021 Amato B08B 9/0936
 D921,833 S * 6/2021 Probst D23/209
 D923,745 S * 6/2021 Govrin D23/214
 2015/0306437 A1 10/2015 Hunter
 2020/0061640 A1 * 2/2020 Hillinger B05B 1/20
 2021/0016302 A1 * 1/2021 Garcia Villareal B05B 1/185

FOREIGN PATENT DOCUMENTS

CN 203525180 4/2014
 CN 20715298 3/2018
 JP 2008104473 5/2008

OTHER PUBLICATIONS

4 in. 3 Hole 120°—5/8 in. Holes Smoothwall Pipe, Feb. 16, 2016, homedepot.com, Aug. 11, 2021. URL: <https://www.homedepot.com/p/Advanced-Drainage-Systems-4-in-3-Hole-120-5-8-in-Holes-Smoothwall-Pipe-04580010/> (Year: 2016).*

INTBUYING Hydroponic 36 Holes Plant Site Grow Kit Garden System, Feb. 8, 2020, Amazon.com, Aug. 11, 2021 <https://www.amazon.com/INTBUYING-Hydroponic-Vegetable-Vertical-Layer%E2%80%88Diameter/dp/B083ZQ15K2> (Year: 2020).*

* cited by examiner

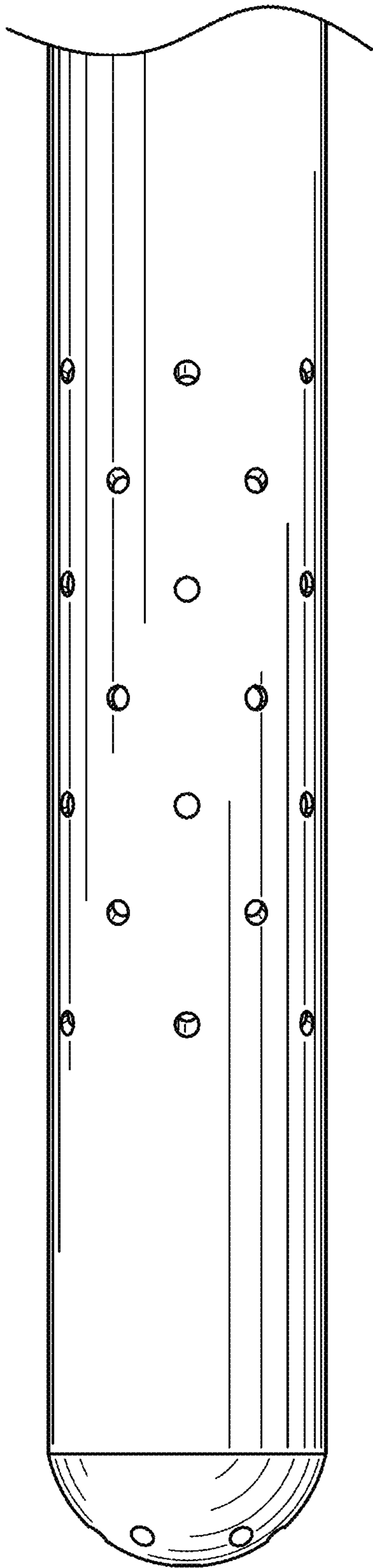


FIG. 1

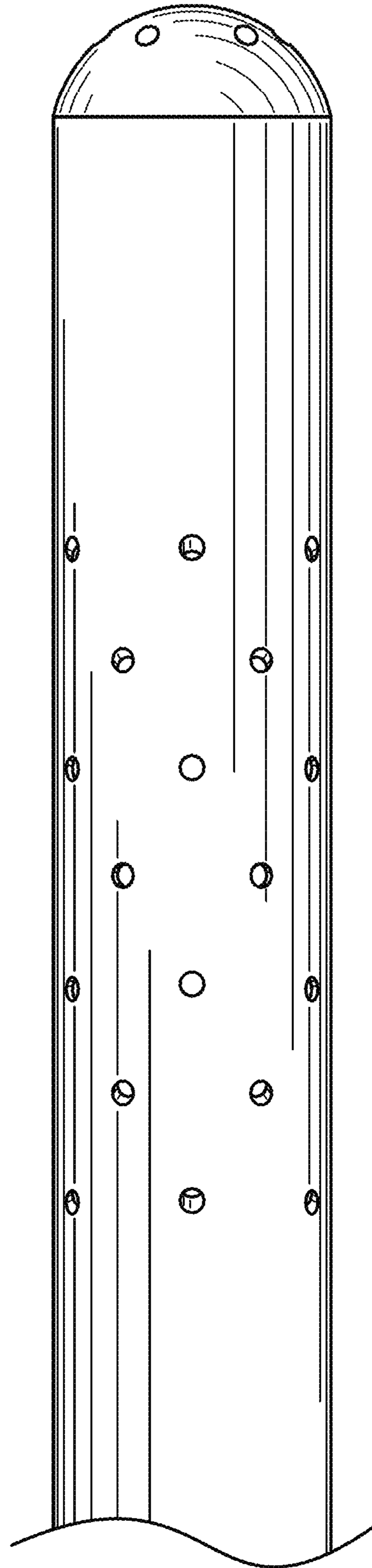


FIG. 2

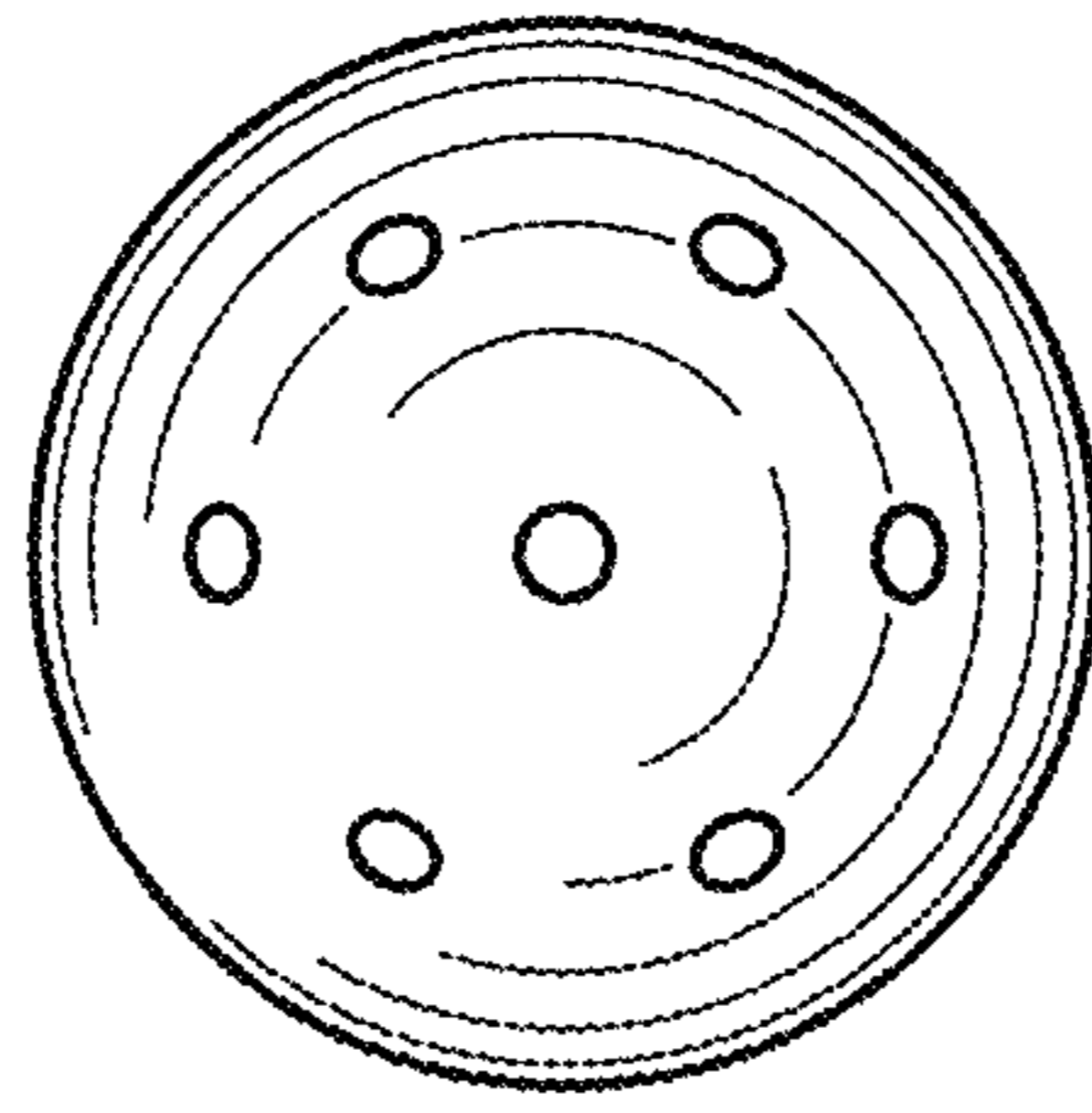


FIG. 4

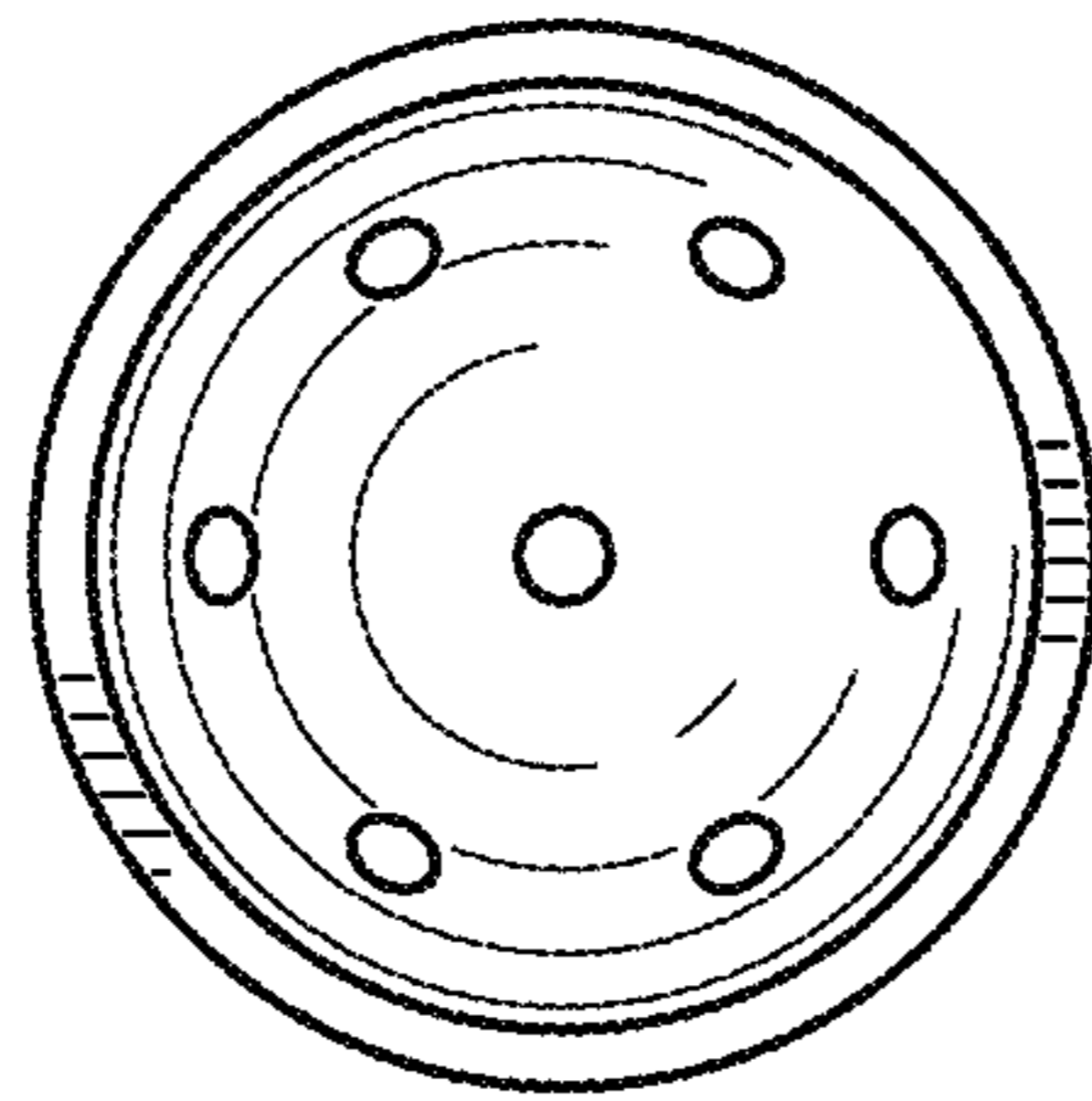


FIG. 3

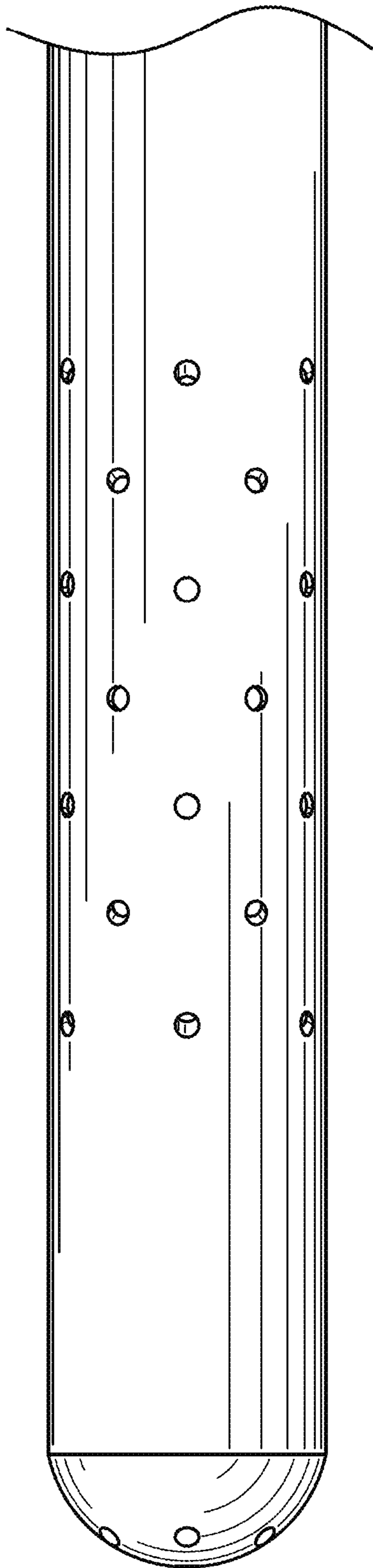


FIG. 5

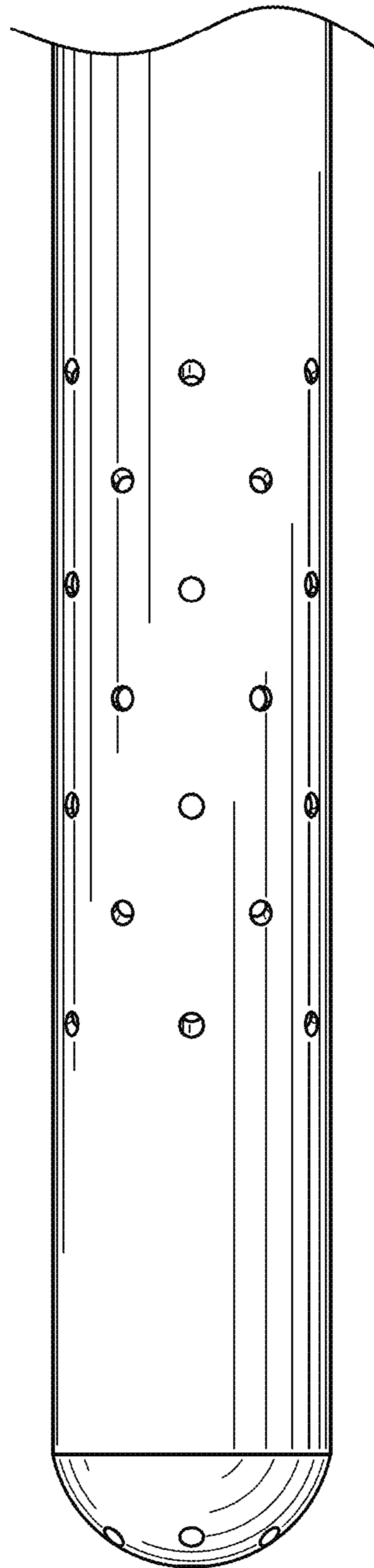


FIG. 6

FIG. 7

