



US00D940268S

(12) **United States Design Patent**  
**Chen et al.**

(10) **Patent No.:** **US D940,268 S**  
(45) **Date of Patent:** **\*\* Jan. 4, 2022**

(54) **COMBINED SOLAR LIGHT AND SOLAR FOUNTAIN DEVICE**

D899,558 S \* 10/2020 Wei ..... D23/201  
D925,076 S \* 7/2021 Zhao ..... D26/24  
D928,423 S \* 8/2021 Tao ..... D30/132

(71) Applicant: **Giant Electric Tech Inc**, Shenzhen (CN)

FOREIGN PATENT DOCUMENTS

CN 202030259789.9 \* 10/2020

(72) Inventors: **Hui Chen**, Shenzhen (CN); **Dui He**, Shenzhe (CN)

OTHER PUBLICATIONS

(\*\*) Term: **15 Years**

Solar Fountain With LED Ligit. By Vingtank. Dated Jun. 16, 2021. Found online [Oct. 13, 2021]. [https://www.amazon.com/Fountain-Vingtank-1600mAh-Upgraded-Outdoors/dp/B097BDCW89/ref=sr\\_1\\_5?dchild=1&keywords=solar+fountain&qid=1634128790&sr=8-5](https://www.amazon.com/Fountain-Vingtank-1600mAh-Upgraded-Outdoors/dp/B097BDCW89/ref=sr_1_5?dchild=1&keywords=solar+fountain&qid=1634128790&sr=8-5) (Year: 2021).\*  
Yolife Bird Solar. By Yolife. Dated Mar. 30, 2021. Found online [Oct. 13, 2021]. [https://www.amazon.com/Yolife-Fountain-Powered-BirdBath-Aquarium/dp/B091CK6TDZ/ref=sr\\_1\\_46?dchild=1&keywords=solar%2Bfountain&qid=1634128790&sr=8-46&th=1](https://www.amazon.com/Yolife-Fountain-Powered-BirdBath-Aquarium/dp/B091CK6TDZ/ref=sr_1_46?dchild=1&keywords=solar%2Bfountain&qid=1634128790&sr=8-46&th=1) (Year: 2021).\*

(21) Appl. No.: **29/734,189**

(22) Filed: **May 11, 2020**

(51) **LOC (13) Cl.** ..... **23-01**

(52) **U.S. Cl.**  
USPC ..... **D23/201**; D26/51

(58) **Field of Classification Search**  
USPC ..... D26/1, 24, 37-52, 67-68, 113, 118-120, D26/123-124; D23/200-201  
CPC ..... B05B 17/08; B05B 1/36; F21W 2121/02; F21W 2131/401; F21S 10/005; F21S 8/00; F21S 9/02; F21S 10/002; F21S 10/04; F21S 6/001; F21S 9/028; F21S 9/046; F21V 23/0435; F21V 29/51; F21V 23/023; F21V 31/005; F21V 33/006; F21V 3/02; F21Y 2113/10; F21Y 2115/10; F21Y 2105/10

See application file for complete search history.

(Continued)

*Primary Examiner* — Marissa J Cash  
*Assistant Examiner* — William B Melliar

(57) **CLAIM**

The ornamental design for a combined solar light and solar fountain device, as shown and described.

**DESCRIPTION**

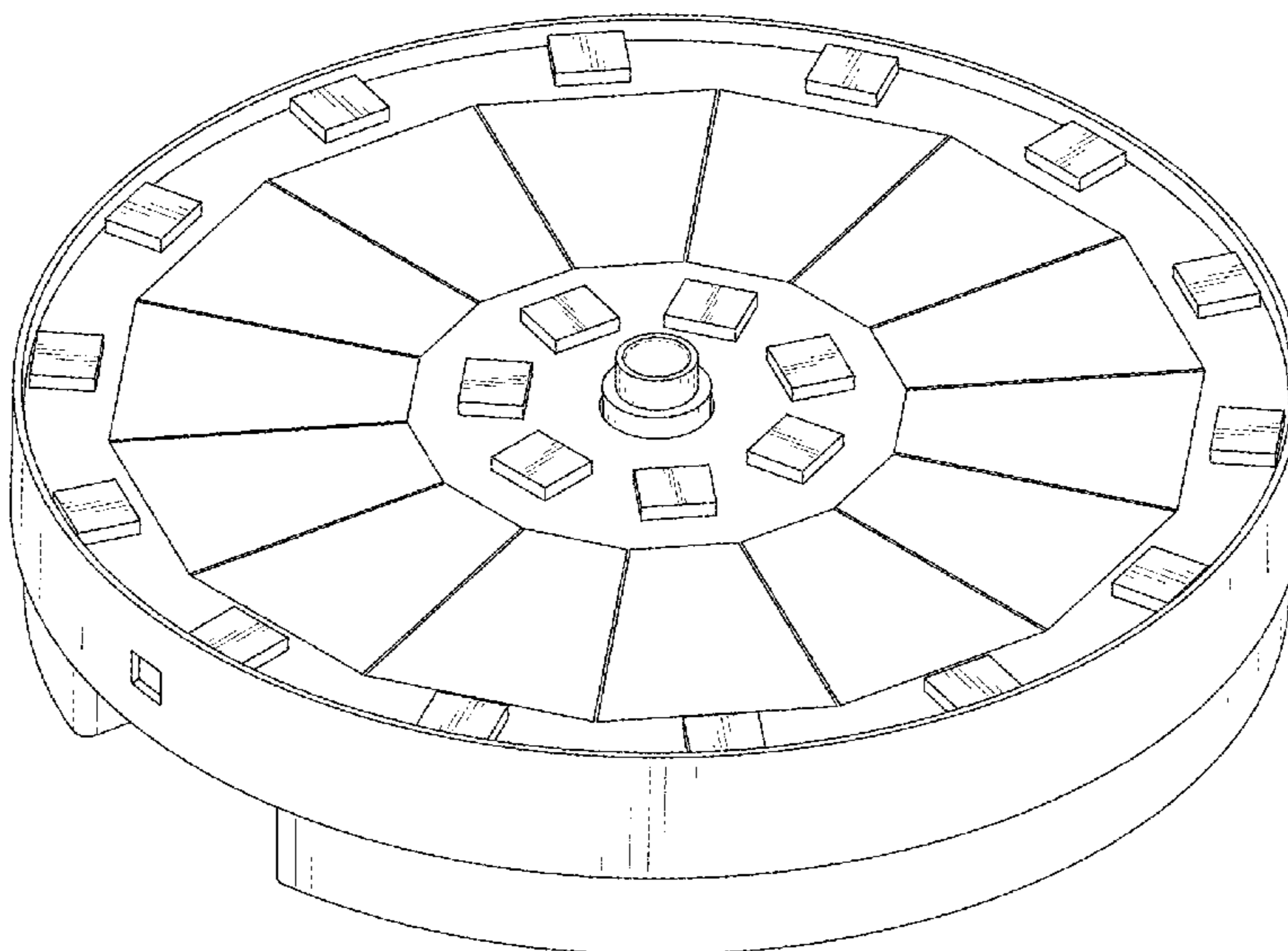
FIG. 1 is a front and top perspective view of a combined solar light and solar fountain device, showing our new design;  
FIG. 2 is a rear and bottom perspective view thereof;  
FIG. 3 is a front elevational view thereof;  
FIG. 4 is a rear elevational view thereof;  
FIG. 5 is a left side elevational view thereof;  
FIG. 6 is a right side elevational view thereof;  
FIG. 7 is a top plan view thereof; and,  
FIG. 8 is a bottom plan view thereof.  
The broken lines in the figures illustrate portions of the article that form no part of the claimed design.

(56) **References Cited**

U.S. PATENT DOCUMENTS

D185,224 S \* 5/1959 Mifsud ..... D23/201  
D475,116 S \* 5/2003 Chan ..... D23/201  
D631,128 S \* 1/2011 Laporta ..... D23/201  
D828,901 S \* 9/2018 Li ..... D23/201  
D829,303 S \* 9/2018 Li ..... D23/201  
D836,751 S \* 12/2018 Li ..... D23/201  
D847,942 S \* 5/2019 McPeck ..... D23/201  
D872,333 S \* 1/2020 Yu ..... D26/51  
D877,855 S \* 3/2020 Wei ..... D23/201

**1 Claim, 8 Drawing Sheets**



(56)

**References Cited**

OTHER PUBLICATIONS

OKMEE Solar Fountain. By OMKEE. Dated Mar. 18, 2021. Found online [Oct. 13, 2021]. [https://www.amazon.com/OKMEE-Fountain-Upgraded-Powered-GD110A/dp/B08ZCQ6ZRR/ref=sr\\_1\\_49?dchild=1&keywords=solar%2Bfountain&qid=1634129244&sr=8-49&th=1](https://www.amazon.com/OKMEE-Fountain-Upgraded-Powered-GD110A/dp/B08ZCQ6ZRR/ref=sr_1_49?dchild=1&keywords=solar%2Bfountain&qid=1634129244&sr=8-49&th=1) (Year: 2021).\*

Jardin Solar Fountain. By Jardin. Dated Mar. 19, 2021. Found online [Oct. 13, 2021]. [https://www.amazon.com/JARDIN-Fountain-Powered-Battery-fountain/dp/B08ZHMCWHV/ref=sr\\_1\\_159?dchild=1&keywords=solar%2Bfountain&qid=1634129361&sr=8-159&th=1](https://www.amazon.com/JARDIN-Fountain-Powered-Battery-fountain/dp/B08ZHMCWHV/ref=sr_1_159?dchild=1&keywords=solar%2Bfountain&qid=1634129361&sr=8-159&th=1) (Year: 2021).\*

New 80cm Round Solar Fountain. By Shenzhen Tuoqing Electronics Co. Dated Oct. 13, 2021. Found online [Oct. 13, 2021]. [https://www.alibaba.com/product-detail/New-80cm-Round-Solar-Fountain-Floating\\_62561078681.html?spm=a2700.galleryofferlist.normal\\_offer.d\\_title.766b1374RDotYq](https://www.alibaba.com/product-detail/New-80cm-Round-Solar-Fountain-Floating_62561078681.html?spm=a2700.galleryofferlist.normal_offer.d_title.766b1374RDotYq) (Year: 2021).\*

\* cited by examiner

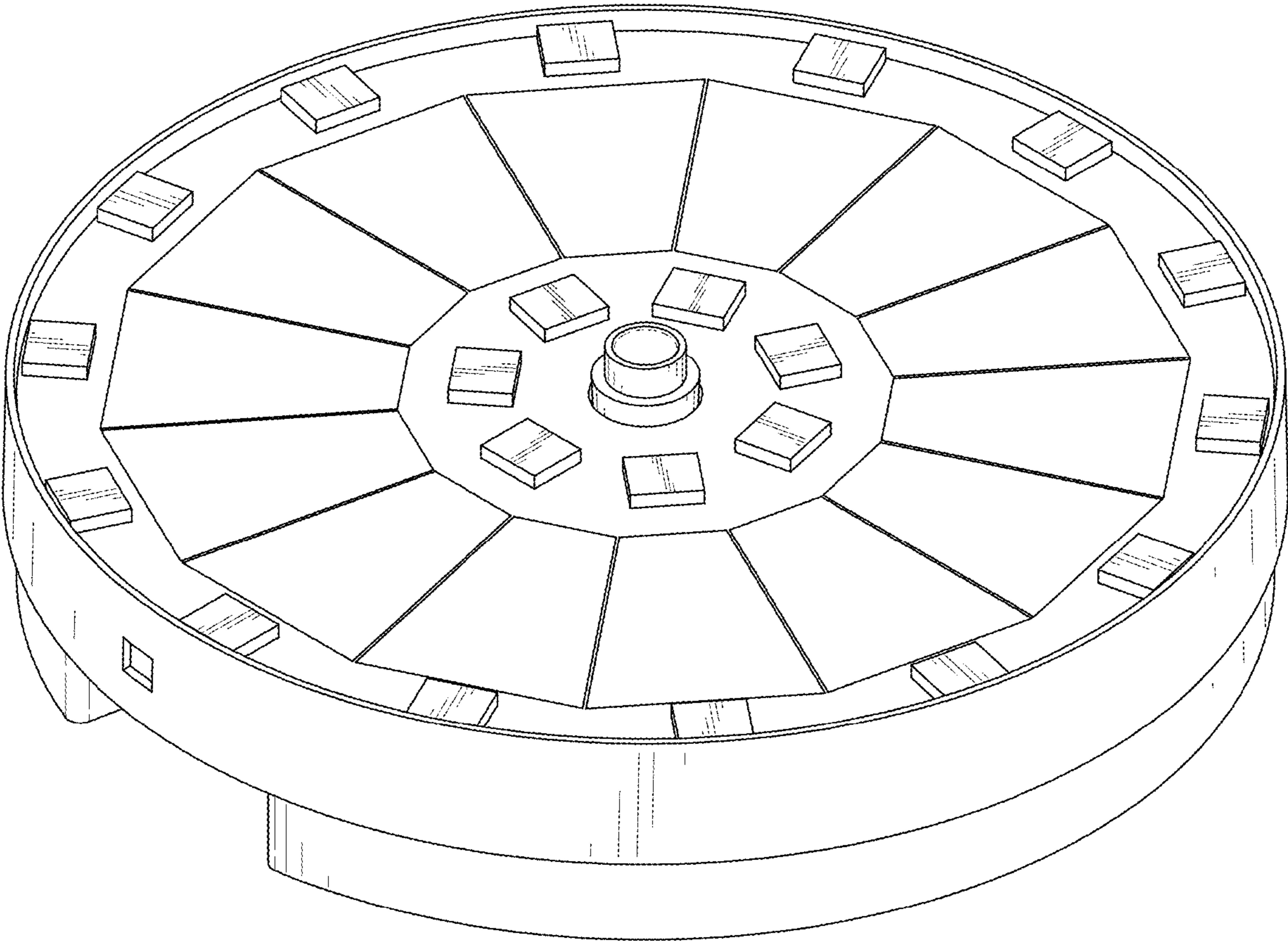


FIG. 1

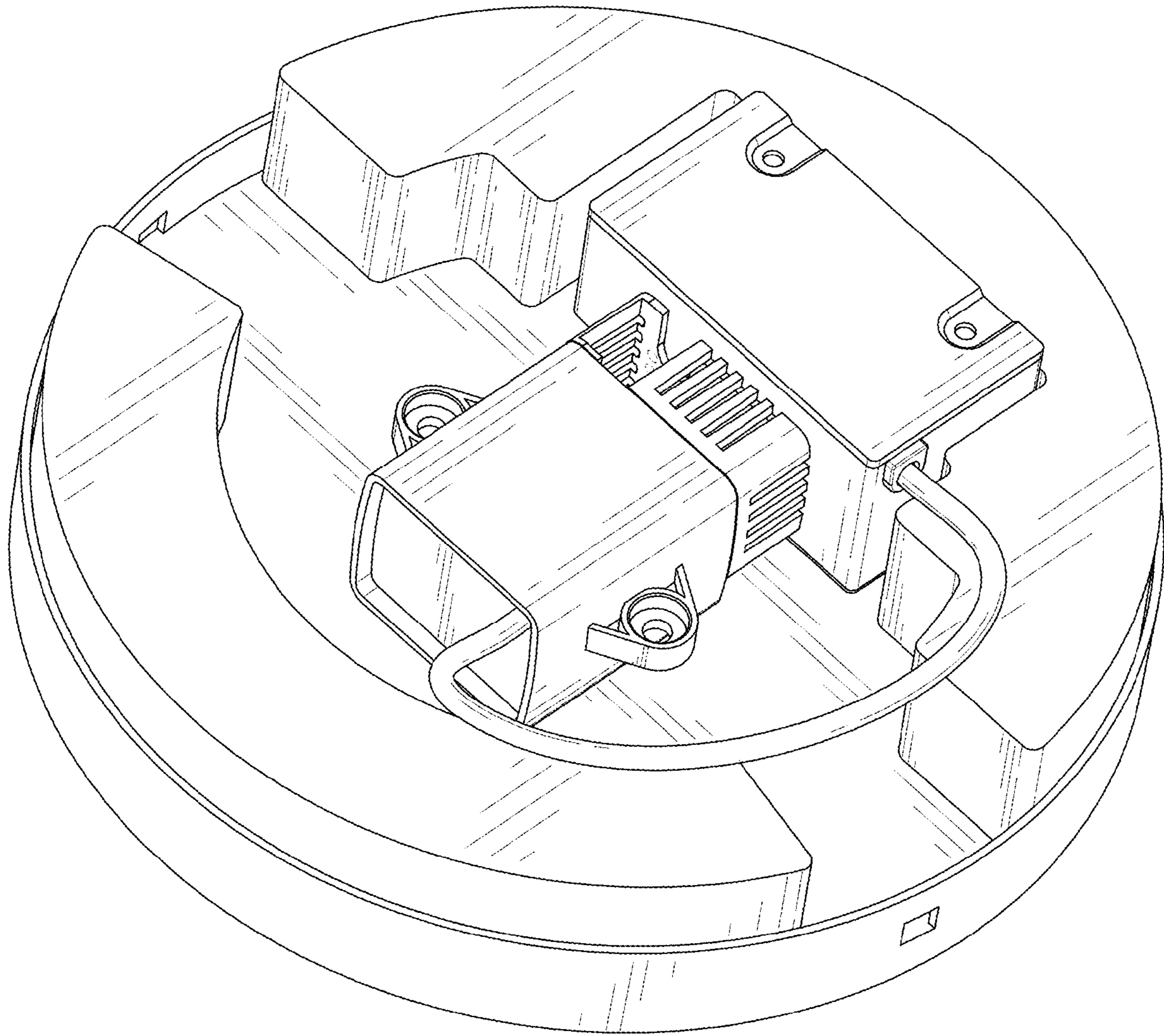


FIG. 2

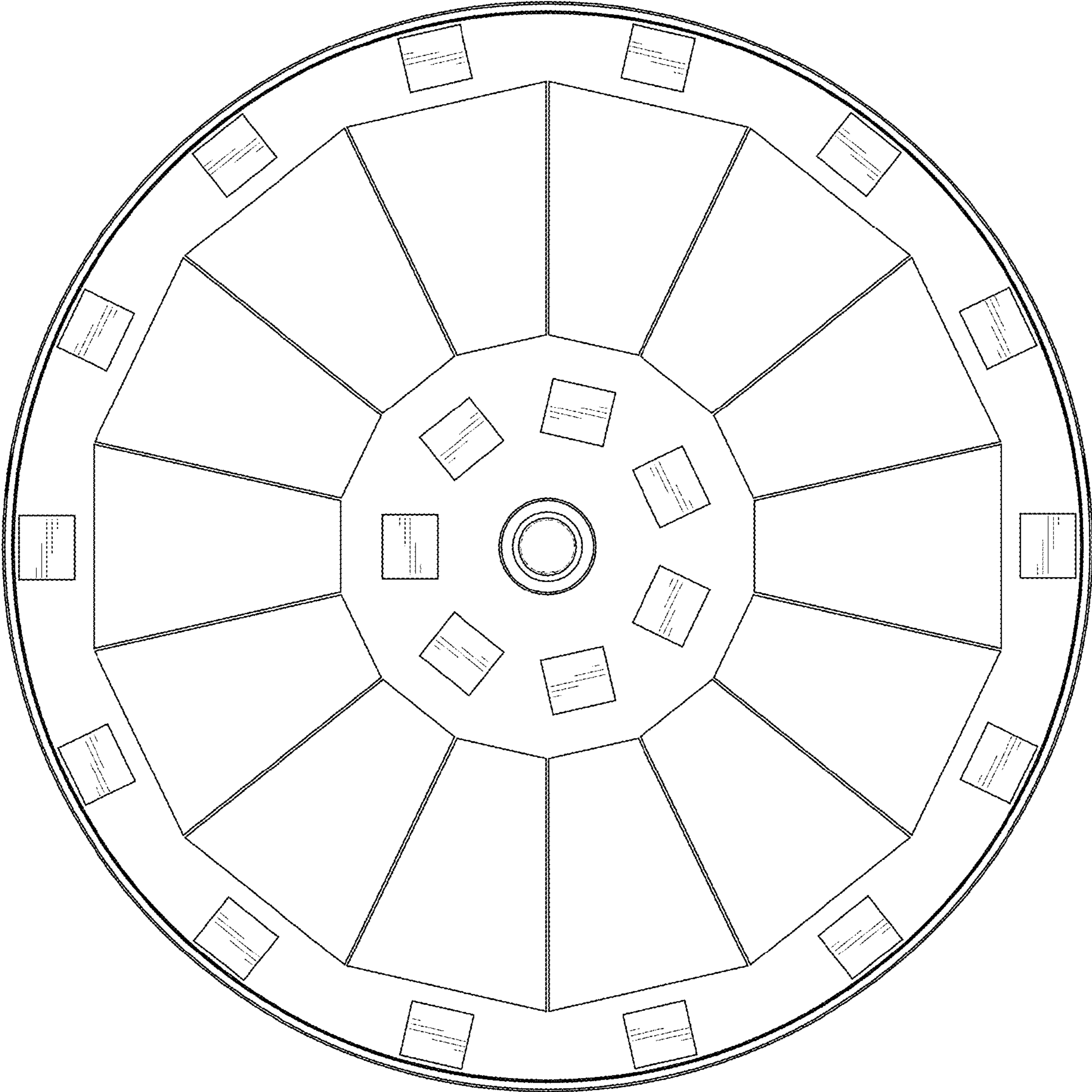


FIG. 3

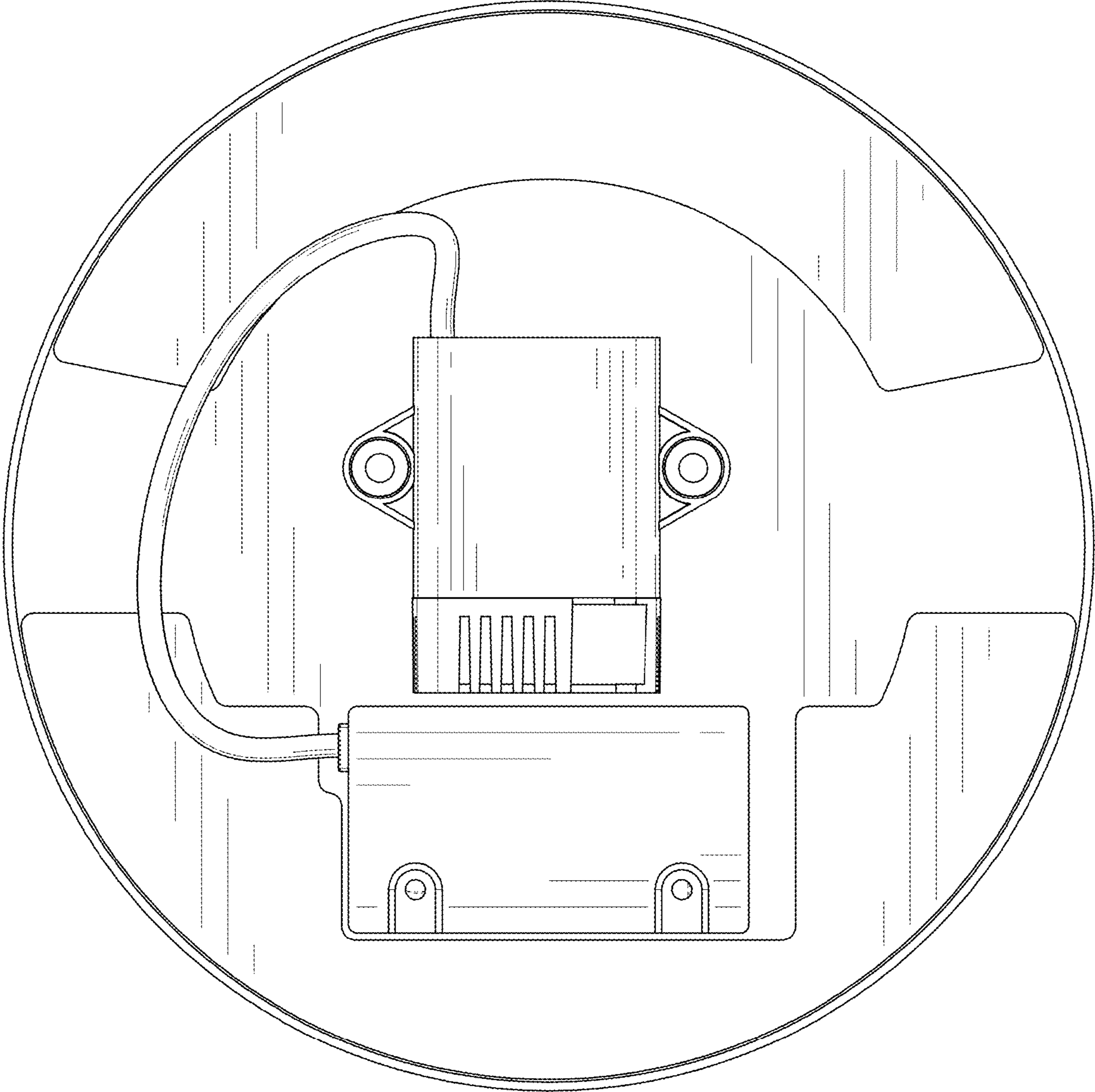


FIG. 4

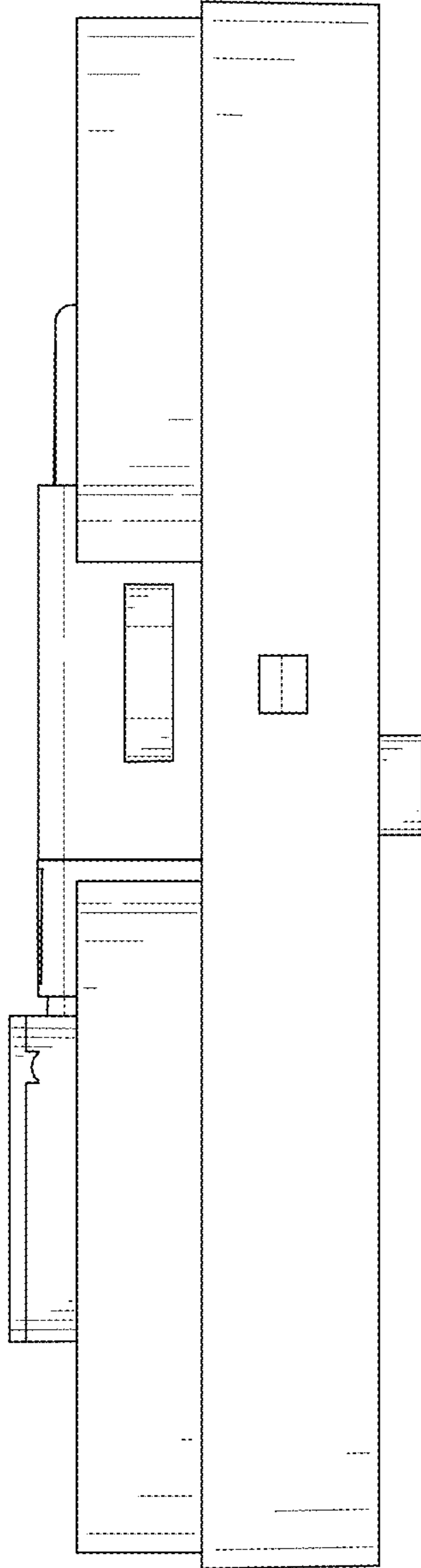


FIG. 5

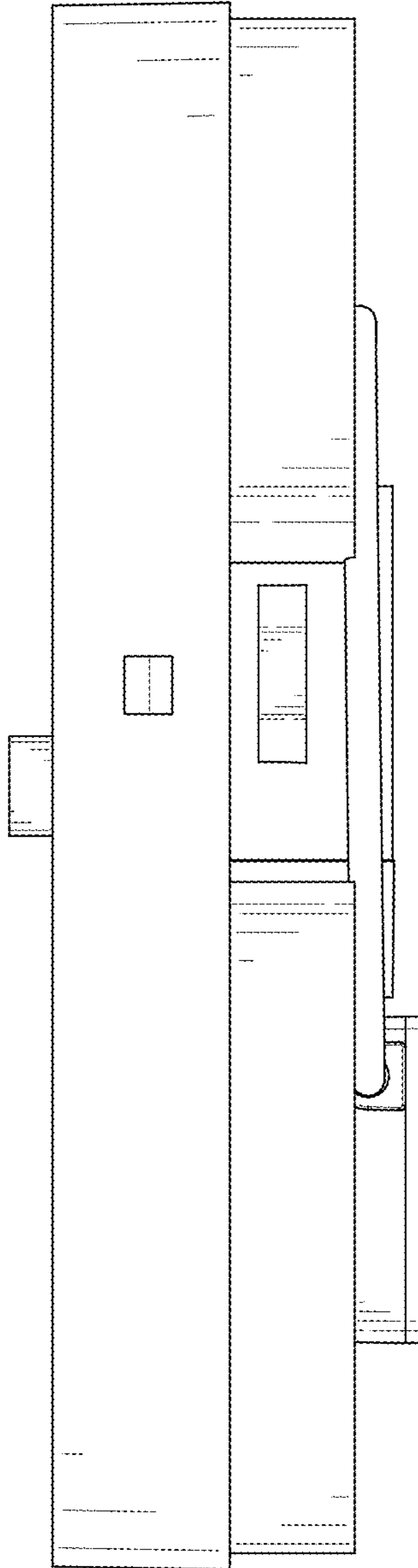


FIG. 6



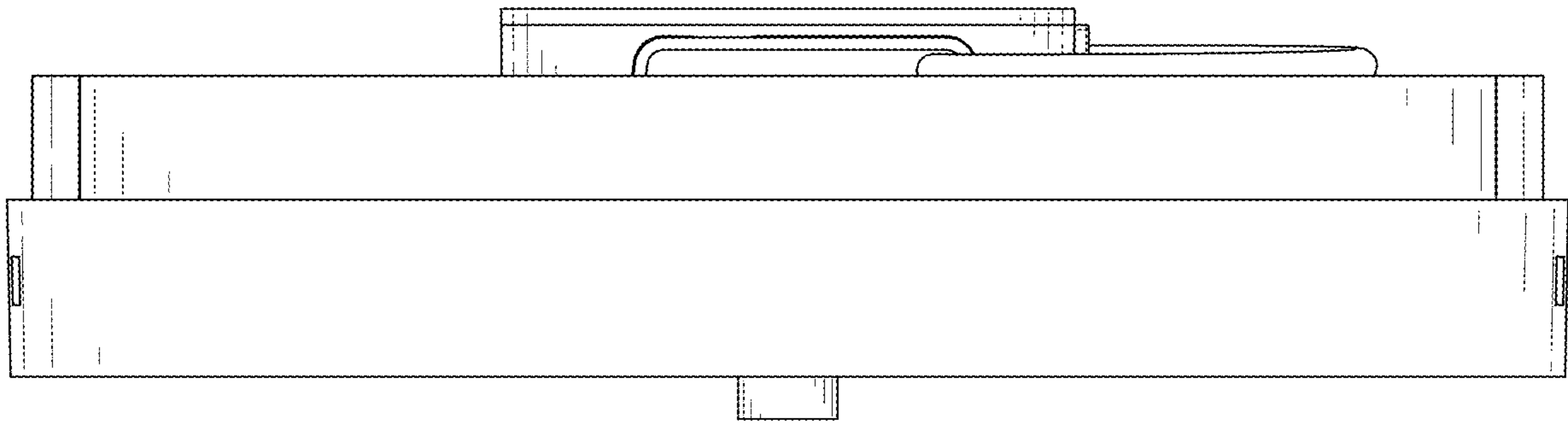


FIG. 7

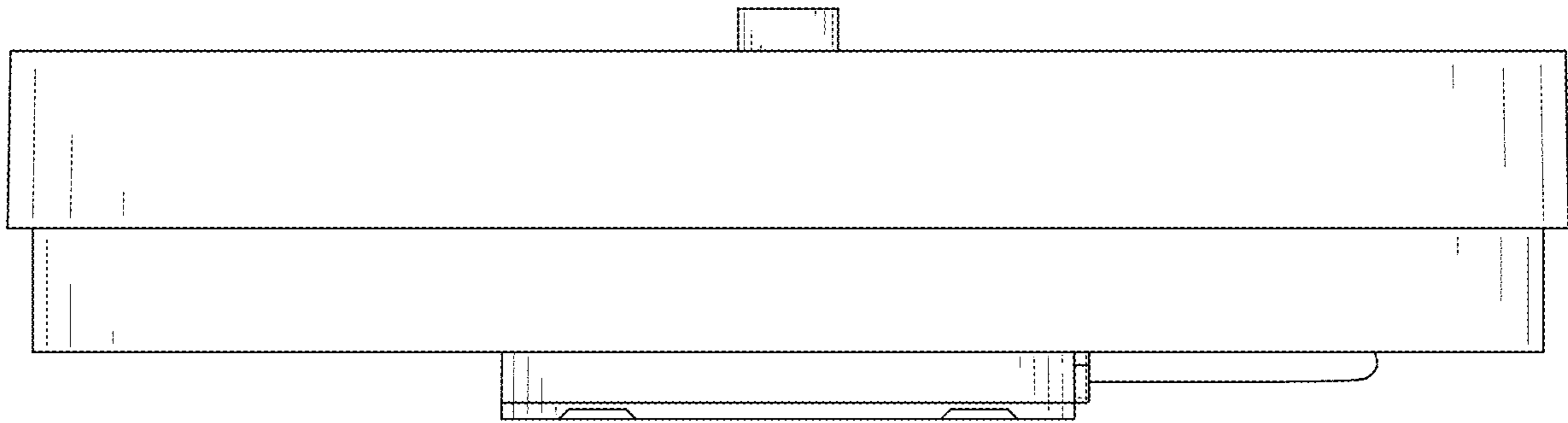


FIG. 8