



US00D940267S

(12) **United States Design Patent** (10) **Patent No.:** **US D940,267 S**
Kinney et al. (45) **Date of Patent:** **** Jan. 4, 2022**

(54) **INTERCHANGEABLE BLADE KNIFE**

(56) **References Cited**

(71) Applicant: **Battenfeld Technologies, Inc.**,
Columbia, MO (US)
(72) Inventors: **Timothy C. Kinney**, Warrenton, MO
(US); **James Tayon**, Moberly, MO
(US); **Michael E. Cottrell**, Ashland,
MO (US); **Dennis W. Cauley, Jr.**,
Fayette, MO (US); **Justin Burke**,
Columbia, MO (US); **Brian Steere**,
Columbia, MO (US); **Kyle Martin**,
Columbia, MO (US); **Anthony Vesich**,
Columbia, MO (US); **Seth Wheeler**,
Columbia, MO (US); **Michael Lindsay**,
Columbia, MO (US); **Ryan Varnum**,
Columbia, MO (US); **Curtis Smith**,
Columbia, MO (US); **Josh Neville**,
Columbia, MO (US); **Mark Dalton**,
Columbia, MO (US); **Matthew
Kinamore**, Columbia, MO (US)

U.S. PATENT DOCUMENTS

3,900,950	A	8/1975	Collins	
D397,190	S *	8/1998	Balolia	D22/118
6,085,424	A	7/2000	Mai	
9,586,329	B2	3/2017	Schuft	
D801,469	S *	10/2017	Mandeville	D22/118
D844,737	S *	4/2019	Jaramus	D22/118
10,349,664	B2	7/2019	Schuft	
10,518,425	B2	12/2019	Bloch et al.	
D876,579	S *	2/2020	Pohl	D22/118
D876,580	S *	2/2020	Pohl	D22/118
2005/0252010	A1	11/2005	Freeman	
2009/0038164	A1	2/2009	Vitantonio et al.	
2010/0170095	A1 *	7/2010	Russell	B26B 3/00 30/165
2011/0030225	A1	2/2011	Wang	
2014/0345147	A1	11/2014	Frazer et al.	

(Continued)

Primary Examiner — Catherine R Oliver-Garcia

(74) *Attorney, Agent, or Firm* — Stinson LLP

(73) Assignee: **AOB Products Company**, Columbia,
MO (US)

(57) **CLAIM**

The ornamental design for an interchangeable blade knife, as shown and described.

(**) Term: **15 Years**

DESCRIPTION

(21) Appl. No.: **29/720,287**

FIG. 1 is a perspective of an interchangeable blade knife of our new design;
FIG. 2 is a front view of the interchangeable blade knife;
FIG. 3 is a top view of the interchangeable blade knife;
FIG. 4 is a rear view of the interchangeable blade knife;
FIG. 5 is a bottom view of the interchangeable blade knife;
FIG. 6 is a right side view of the interchangeable blade knife;
and,
FIG. 7 is a left side view of the interchangeable blade knife.
The broken lines in FIGS. 1-7 are directed to environment and form no part of the claimed design.

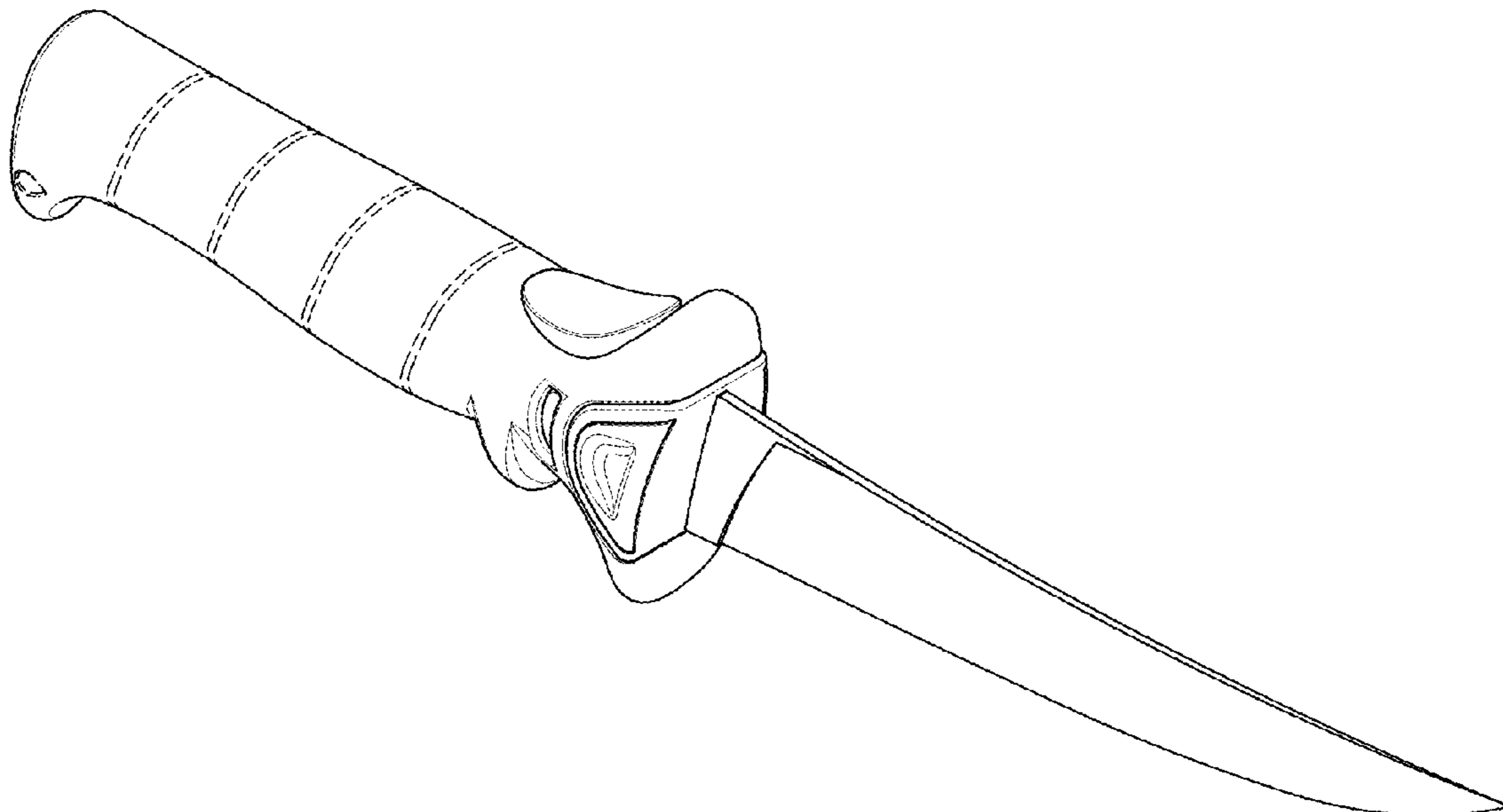
(22) Filed: **Jan. 10, 2020**

(51) **LOC (13) Cl.** **22-02**

(52) **U.S. Cl.**
USPC **D22/118**

(58) **Field of Classification Search**
USPC D22/118; D7/649-650; D8/95-99, 105,
D8/107; 30/162, 165, 335-337, 342, 298
CPC B25B 1/00; B25B 1/04; B25B 1/10; B25B
1/22; B26B 1/00; B26B 1/04; B26B 1/10;
B26B 1/1048; B26B 3/06; F41C 27/18
See application file for complete search history.

1 Claim, 6 Drawing Sheets



(56)

References Cited

U.S. PATENT DOCUMENTS

2017/0151682 A1 6/2017 Cheng
2017/0172162 A1 6/2017 Schuft
2018/0036894 A1 2/2018 Bloch et al.

* cited by examiner

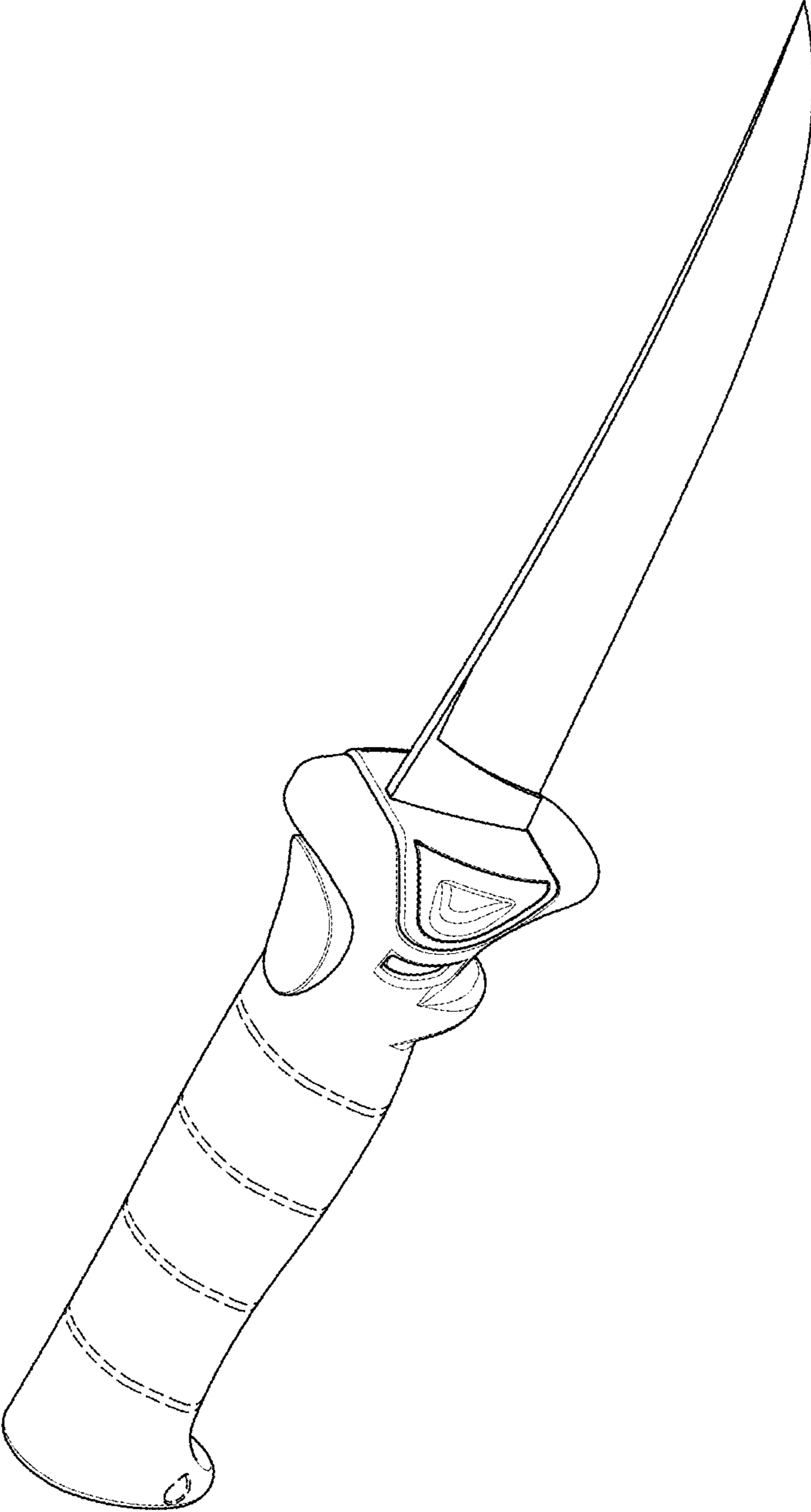


FIG. 1

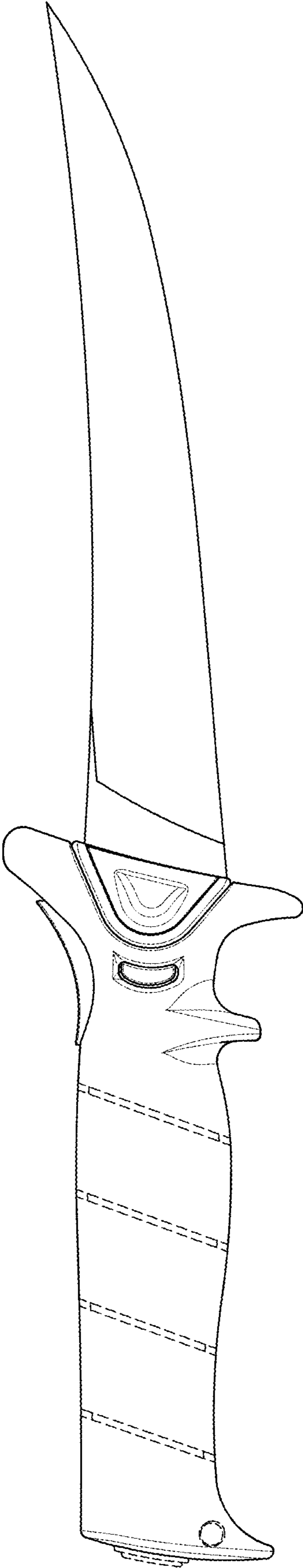
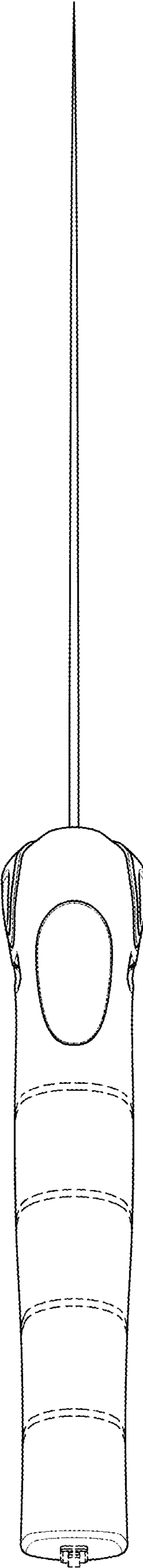


FIG. 2

FIG. 3



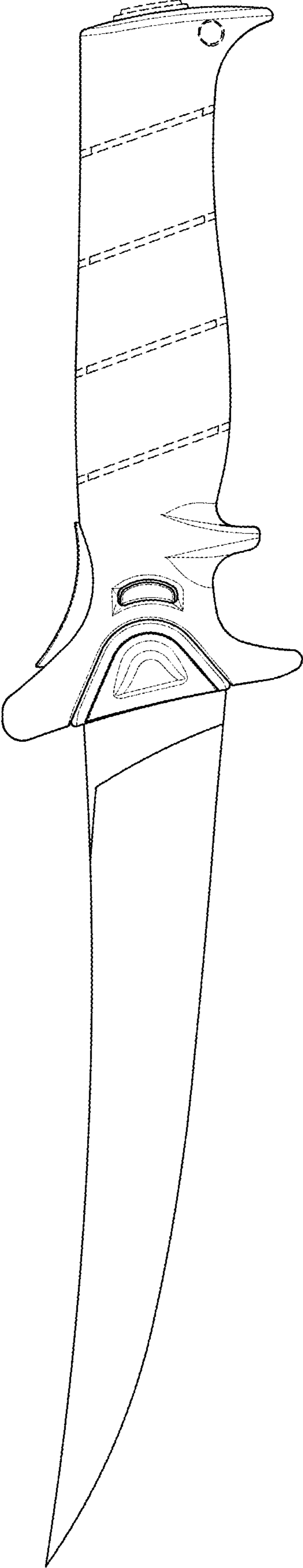


FIG. 4

FIG. 5

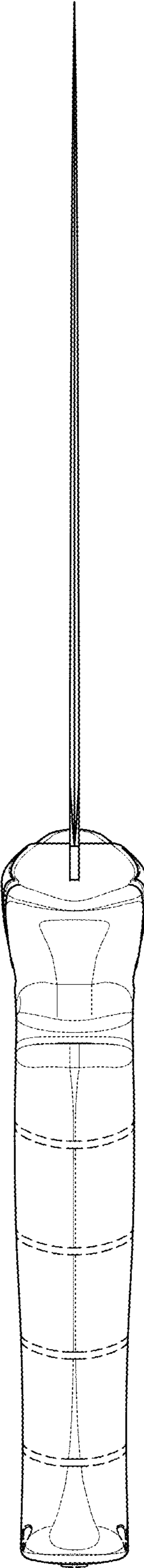


FIG. 6

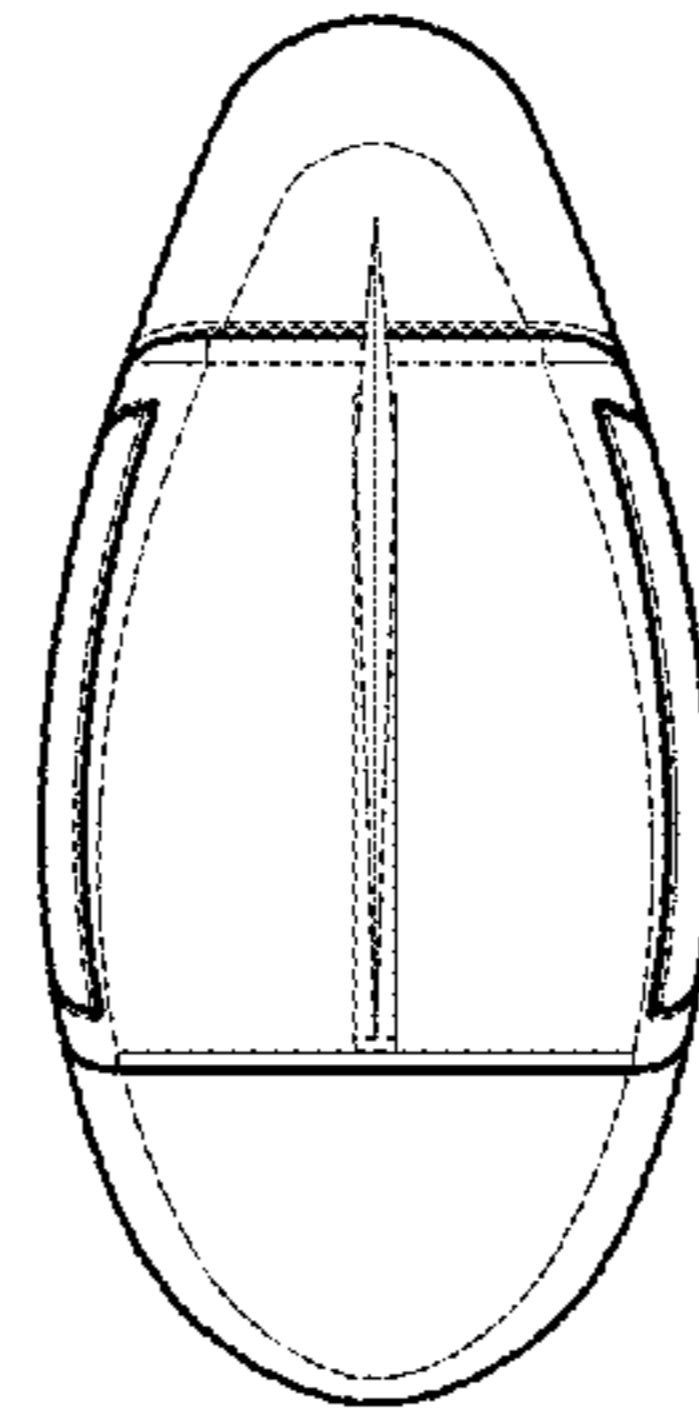


FIG. 7

