



US00D940266S

(12) **United States Design Patent**  
**Wang**

(10) **Patent No.:** **US D940,266 S**

(45) **Date of Patent:** **\*\* Jan. 4, 2022**

(54) **LASER SIGHT**

(71) Applicant: **Lingmin Wang**, Zhejiang (CN)

(72) Inventor: **Lingmin Wang**, Zhejiang (CN)

(\*\*) Term: **15 Years**

(21) Appl. No.: **29/779,932**

(22) Filed: **Apr. 21, 2021**

(51) **LOC (13) Cl.** ..... **22-01**

(52) **U.S. Cl.**  
USPC ..... **D22/109**

(58) **Field of Classification Search**  
USPC ..... D22/108–109  
CPC . F41G 1/35; F41G 11/003; F41G 1/00; F41G  
1/36; F41G 1/34; F41G 3/26  
See application file for complete search history.

(56) **References Cited**

**U.S. PATENT DOCUMENTS**

D347,018 S	5/1994	Jehn	
7,117,624 B2 *	10/2006	Kim	F41G 11/003 42/85
7,226,183 B2 *	6/2007	Galli	F21V 21/084 362/110
7,260,912 B2 *	8/2007	Liu	F41G 11/003 42/124
D578,599 S	10/2008	Cheng	
7,523,583 B2 *	4/2009	Cheng	F41G 1/35 362/110
7,591,098 B2 *	9/2009	Matthews	F41G 11/003 362/110
D612,756 S *	3/2010	D'Amelio	D10/70

D738,455 S *	9/2015	Homem de Mello Anderson	..... D22/109
D762,806 S *	8/2016	Chavez	..... D22/109
D800,864 S *	10/2017	Hartley	..... D22/109
10,344,959 B2 *	7/2019	Worman	..... F21V 23/0428
D862,633 S *	10/2019	Tuller	..... D22/109
D878,511 S *	3/2020	Houde-Walter	..... F41G 1/36 D22/109
D879,907 S *	3/2020	Prestwich	..... D22/109

\* cited by examiner

*Primary Examiner* — Michael A. Pratt

(74) *Attorney, Agent, or Firm* — ScienBiziP, P.C.

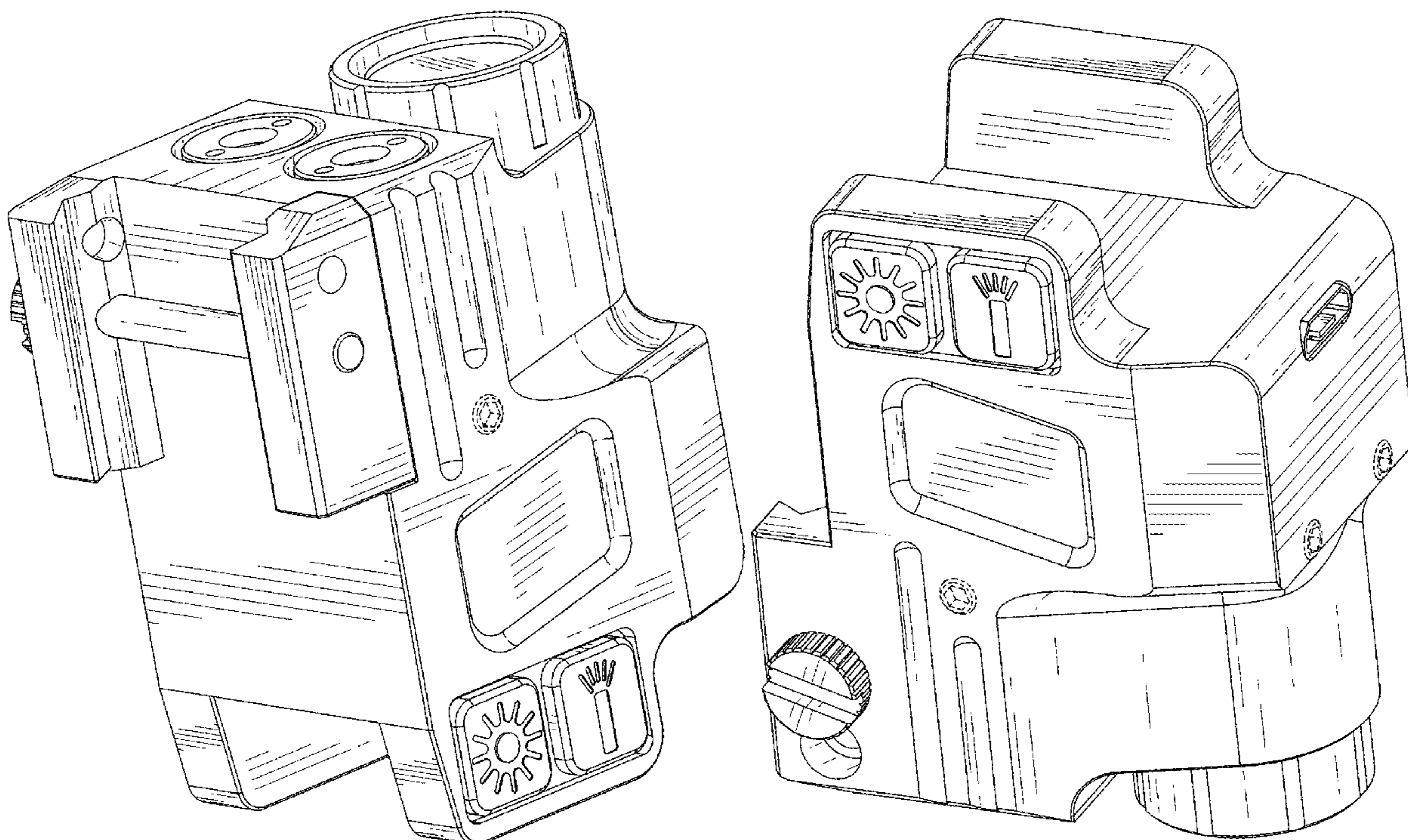
(57) **CLAIM**

The ornamental design for a laser sight, as shown and described.

**DESCRIPTION**

FIG. 1 is a front, left, and top perspective view of a laser sight, showing my design.  
FIG. 2 is a rear, right, and bottom perspective view thereof.  
FIG. 3 is a front elevation view thereof.  
FIG. 4 is a rear elevation view thereof.  
FIG. 5 is a left side elevation view thereof.  
FIG. 6 is a right side elevation view thereof.  
FIG. 7 is a top plan view thereof; and,  
FIG. 8 is a bottom plan view thereof.  
The broken lines shown in the drawings are included for the purpose of illustrating portions of the laser sight that form no part of the claimed design.

**1 Claim, 8 Drawing Sheets**



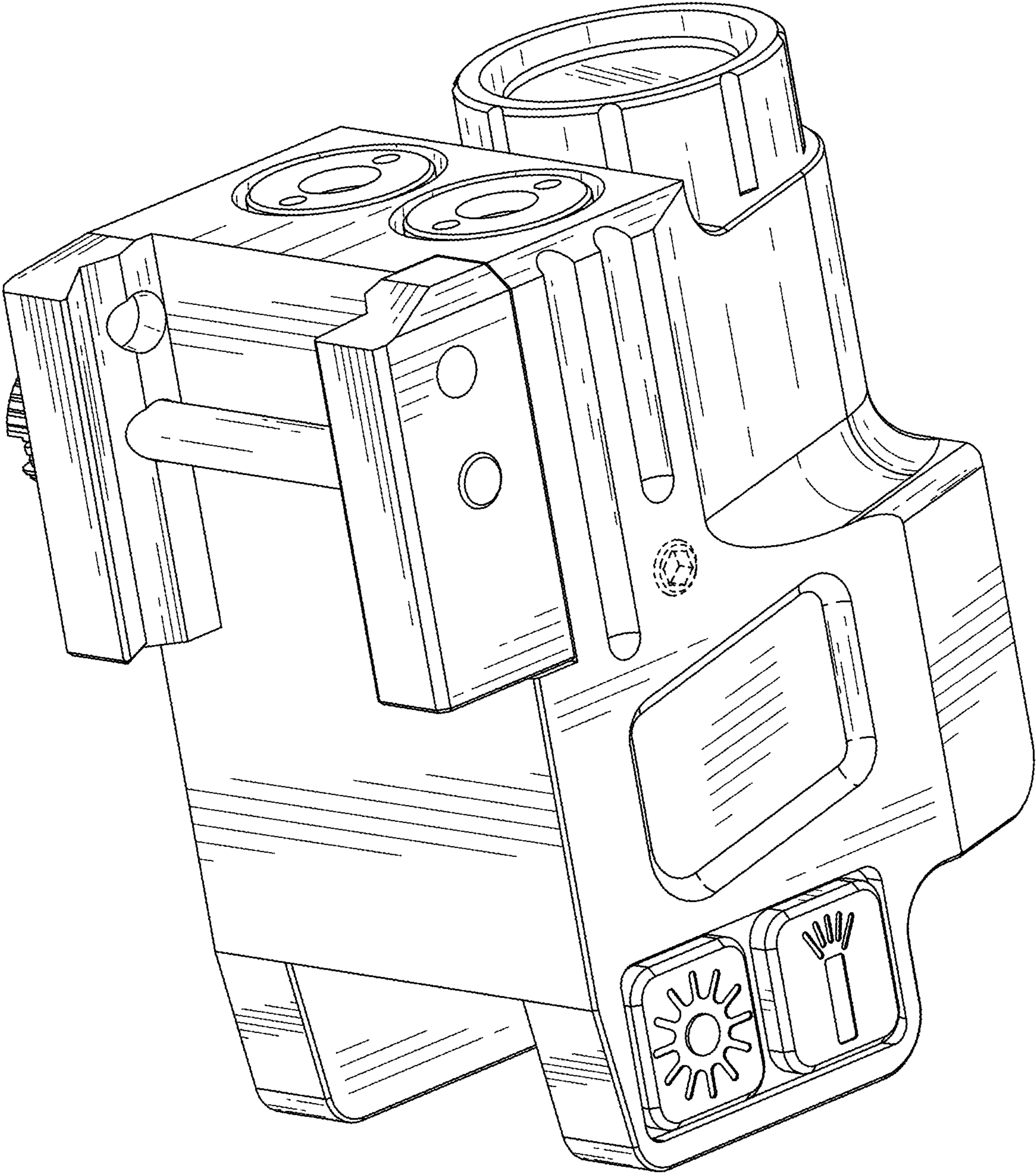


FIG. 1

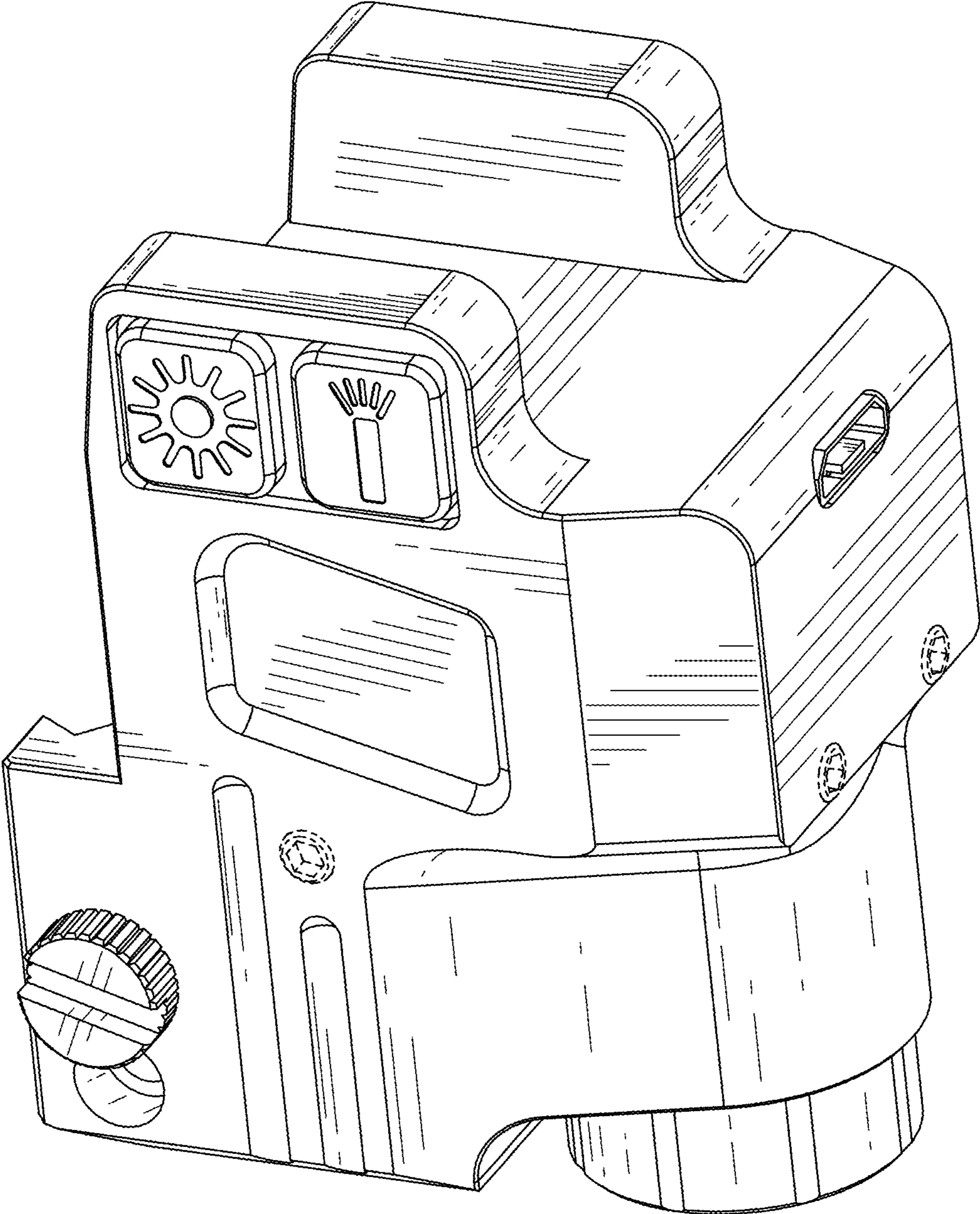


FIG. 2

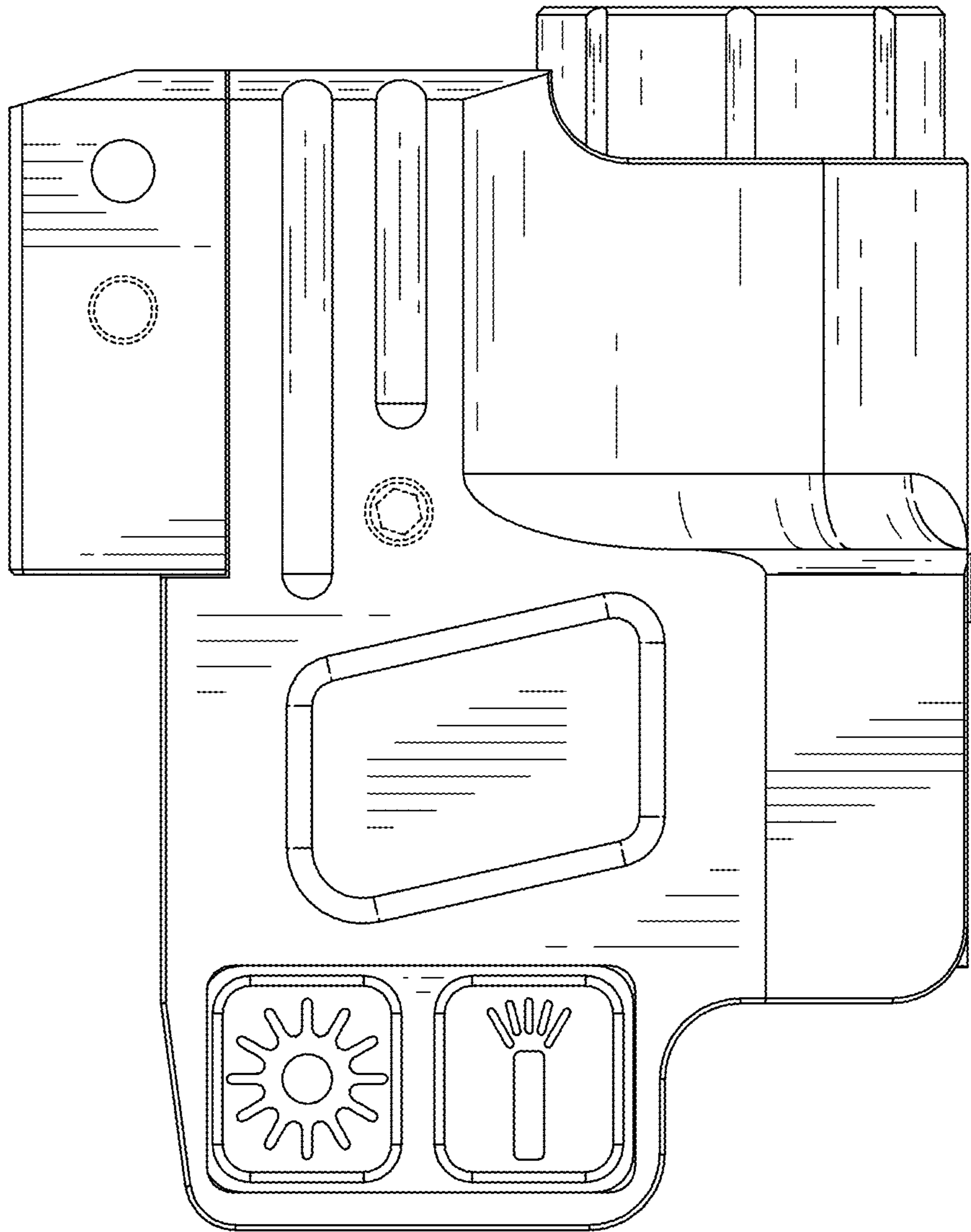


FIG. 3

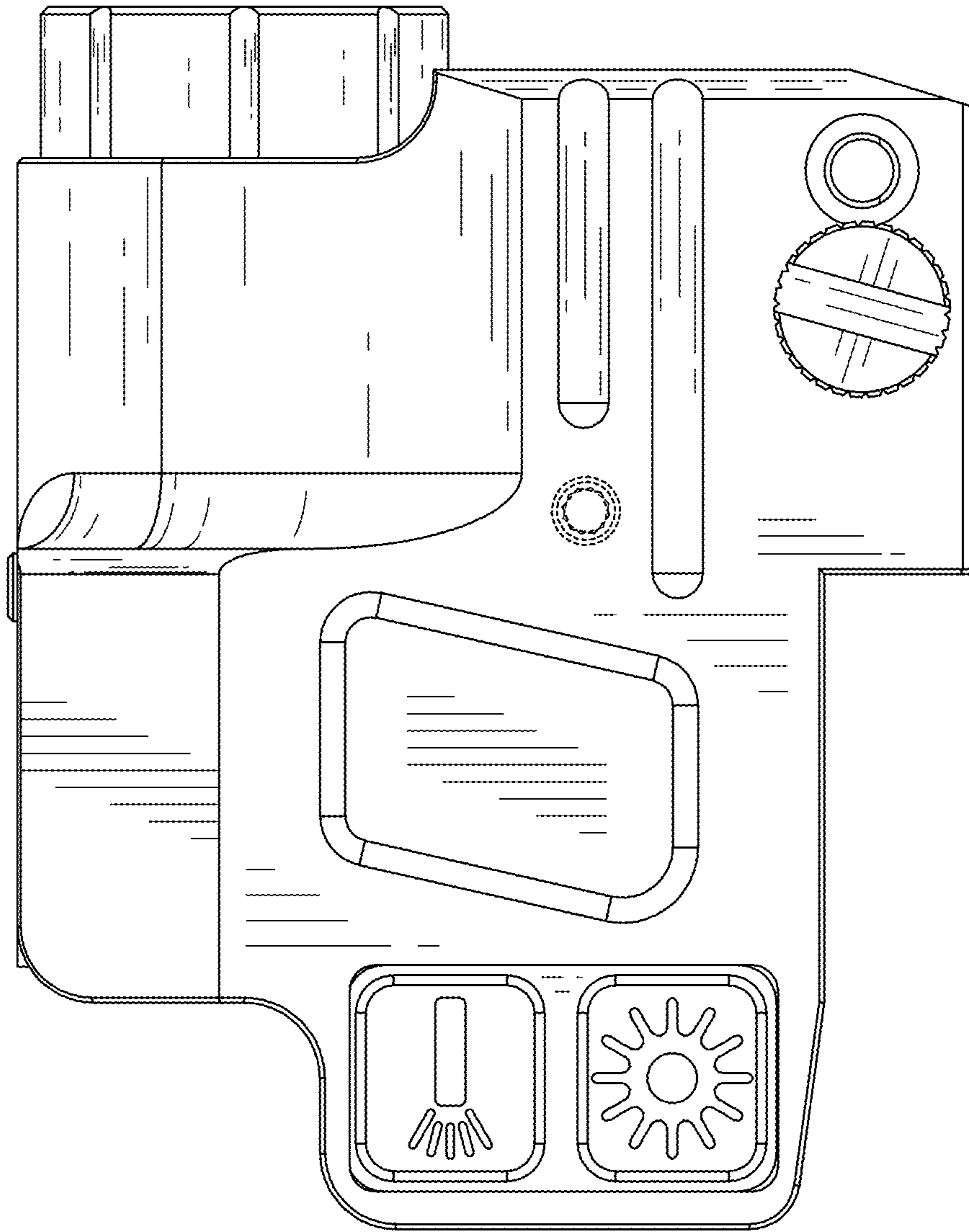


FIG. 4

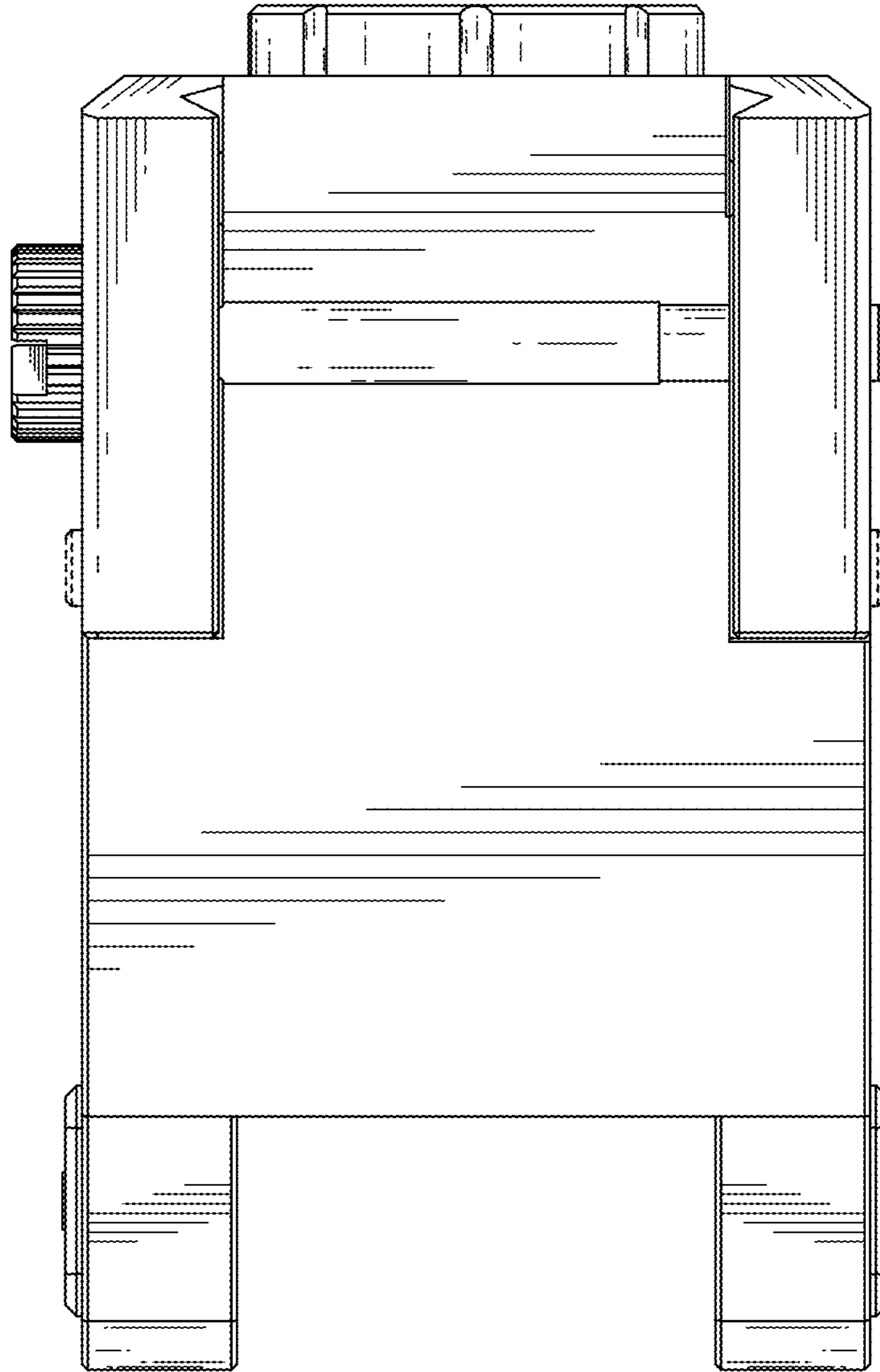


FIG. 5

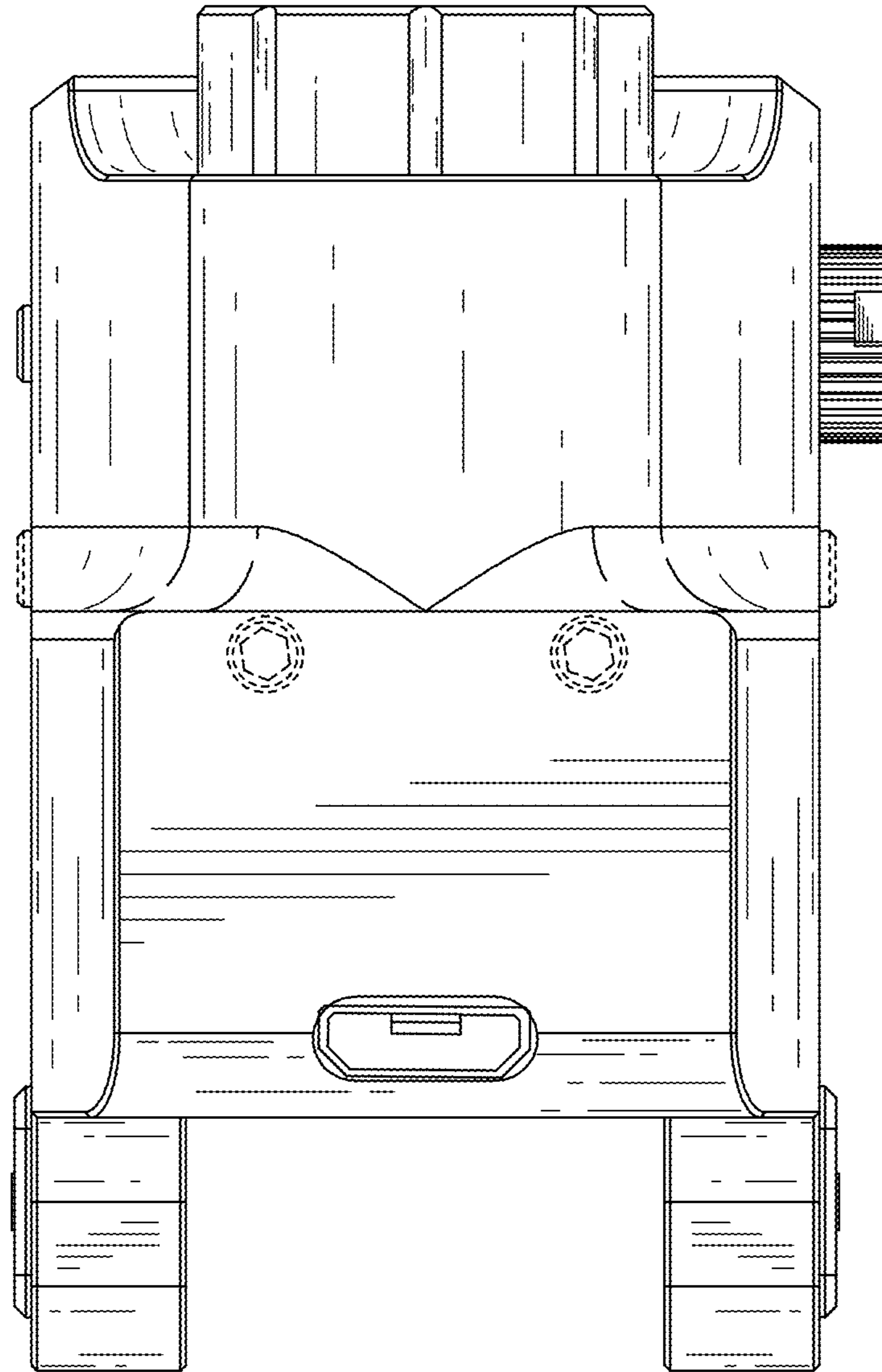


FIG. 6

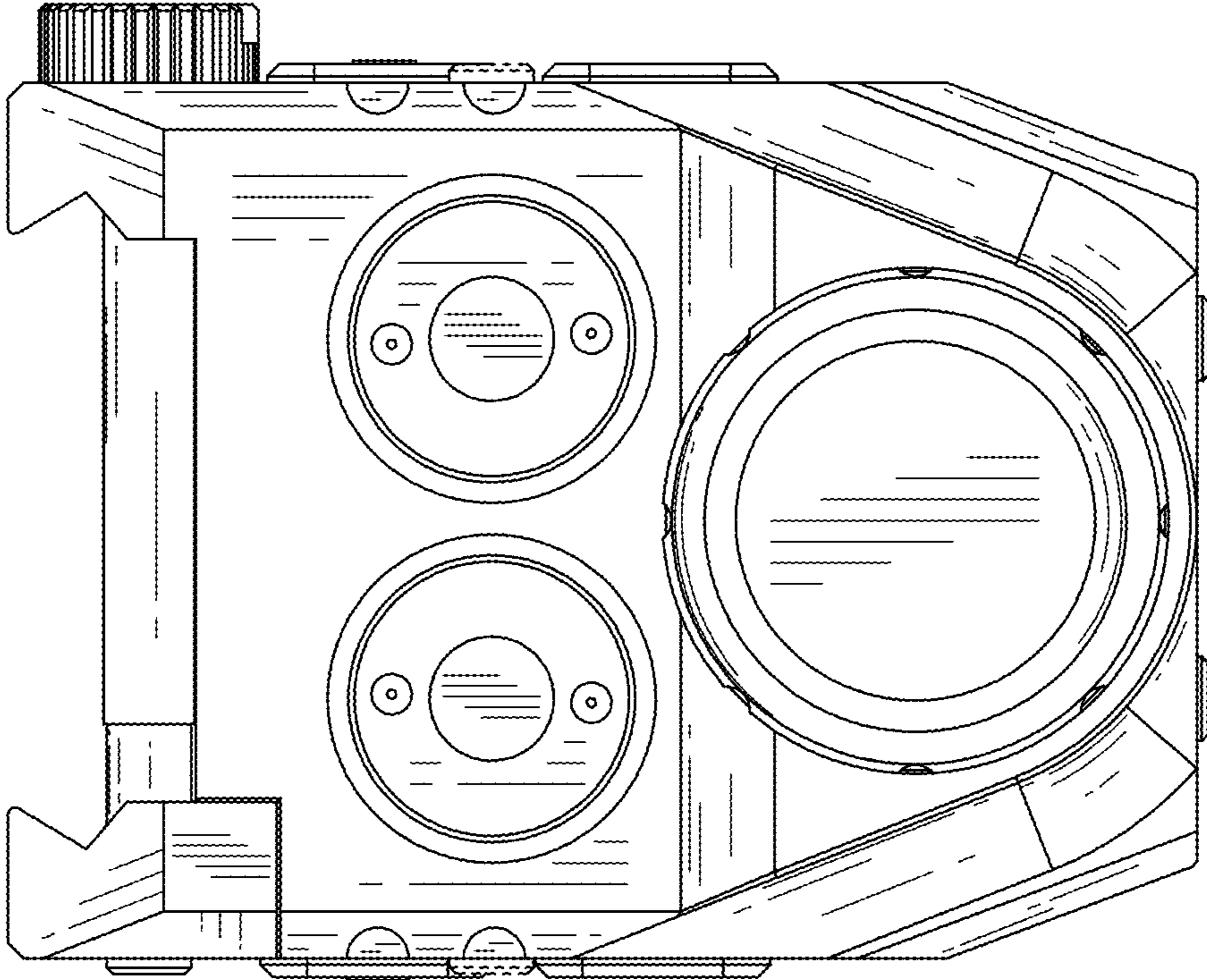


FIG. 7



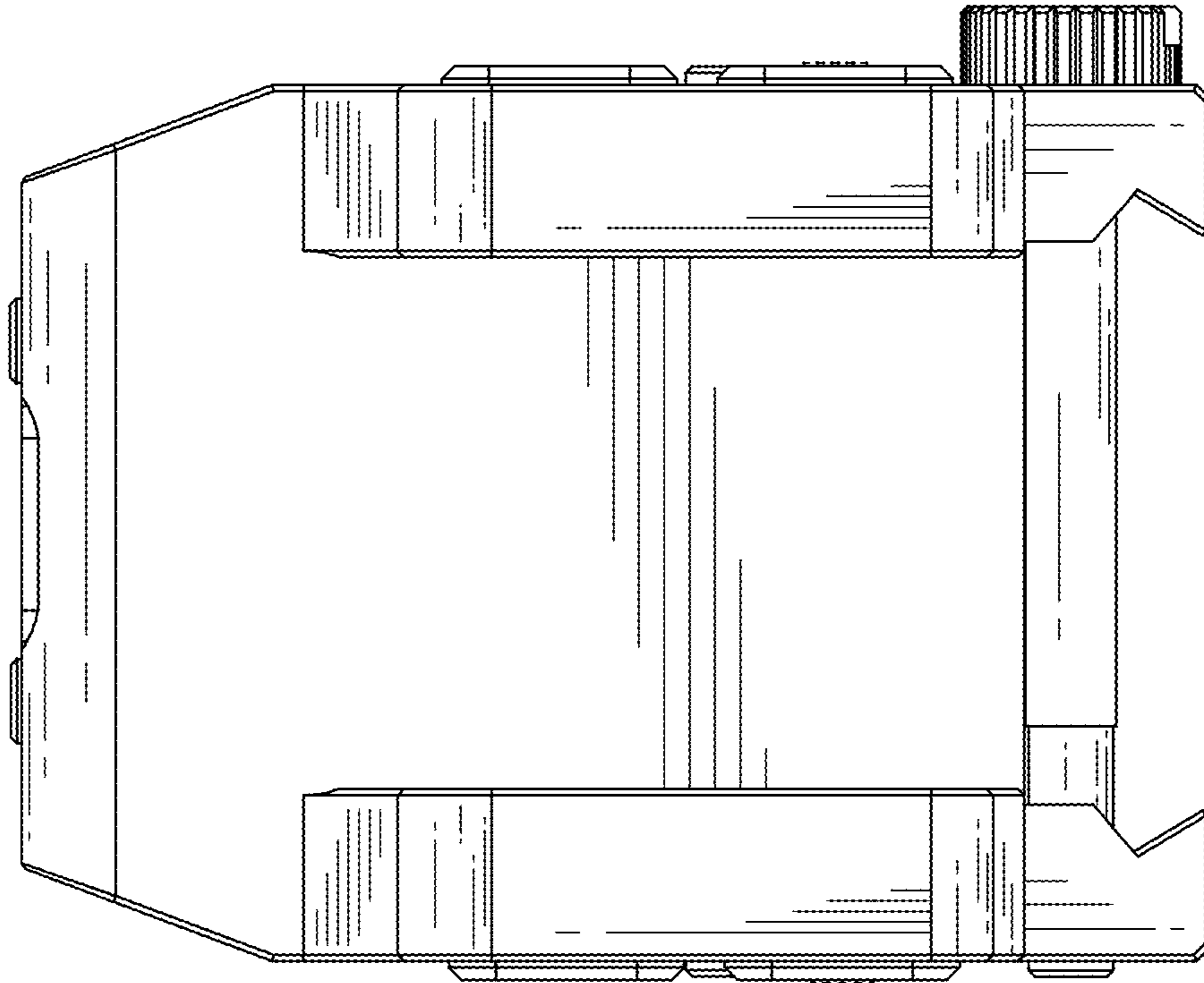


FIG. 8