

US00D940265S

(12) **United States Design Patent**
Srihari et al.

(10) **Patent No.:** **US D940,265 S**
(45) **Date of Patent:** **** Jan. 4, 2022**

- (54) **SEESAW**
- (71) Applicant: **Pure Global Brands, Inc.**, Mesquite, TX (US)
- (72) Inventors: **Swastic Srihari**, Addison, TX (US);
Zorin Abraham, Sunnyvale, TX (US);
Kinsey Harris, West Palm Beach, FL (US)
- (73) Assignee: **Pure Global Brands, Inc.**, Mesquite, TX (US)
- (**) Term: **15 Years**
- (21) Appl. No.: **29/710,912**
- (22) Filed: **Oct. 28, 2019**
- (51) **LOC (13) Cl.** **21-03**
- (52) **U.S. Cl.**
USPC **D21/830**
- (58) **Field of Classification Search**
USPC D21/811, 814, 828, 830, 412
CPC A63G 1/00-48; A63G 11/00; A63H 13/18;
A63H 13/20
See application file for complete search history.

1,406,040	A *	2/1922	Lehman	A63G 1/14 472/14
1,422,766	A *	7/1922	Jordan	A63G 11/00 472/4
1,601,150	A *	9/1926	Stine	A63G 1/18 472/19
1,635,387	A *	7/1927	Pullen	A63G 1/12 472/24
1,847,090	A *	3/1932	Hill	A63G 11/00 472/113
1,939,927	A *	12/1933	Shaffer	A63G 11/00 472/113
D99,613	S *	5/1936	Sweet	D21/830
D107,784	S *	1/1938	Milton et al.	D21/412
2,433,735	A *	2/1946	Buczowski	
D146,168	S *	1/1947	Buczowski	D21/412
D148,889	S *	3/1948	Sebel	D21/830
D149,407	S *	4/1948	Evans	D21/830
2,488,889	A *	11/1949	Allie	A63G 11/00 472/112
D157,939	S *	4/1950	Castelli	D21/412
D158,703	S *	5/1950	Westcamp	D21/412

(Continued)

Primary Examiner — Mitchell I. Siegel
(74) *Attorney, Agent, or Firm* — Scott Griggs; Griggs Bergen LLP

(57) **CLAIM**

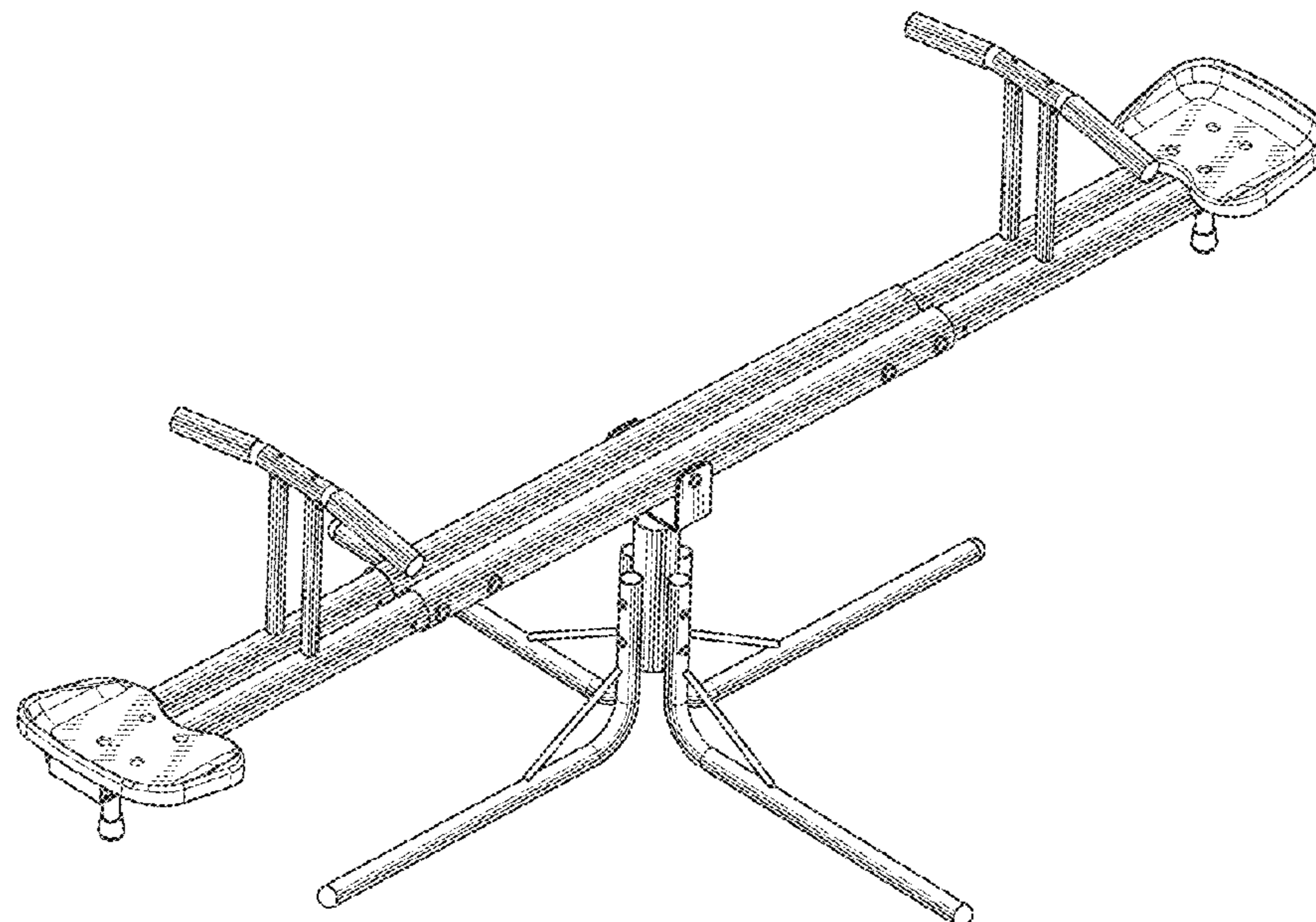
The ornamental design for a seesaw, as shown and described.

DESCRIPTION

FIG. 1 is a front perspective view of a seesaw;
FIG. 2 is a front elevational view of the seesaw shown in FIG. 1; the undisclosed rear being identical;
FIG. 3 is a left-side elevational view of the seesaw shown in FIG. 1; the undisclosed right side being identical;
FIG. 4 is a top plan view of the seesaw shown in FIG. 1; and,
FIG. 5 is a bottom plan view of the seesaw as shown in FIG. 1.

1 Claim, 5 Drawing Sheets

- (56) **References Cited**
U.S. PATENT DOCUMENTS
- 198,659 A * 12/1877 Millward A63G 1/18
472/23
- 501,005 A * 7/1893 Goldsmith A63G 11/00
472/4
- 1,260,832 A * 3/1918 Terry A63G 11/00
472/5
- D54,267 S * 12/1919 Jordan et al. D21/412
- D58,163 S * 6/1921 Reuther D21/412
- D58,506 S * 7/1921 Schaller D21/412
- D60,191 S * 1/1922 Lehman D21/830



(56)

References Cited

U.S. PATENT DOCUMENTS

2,544,589	A *	3/1951	Cummings	A63G 11/00	472/4
2,564,146	A *	8/1951	Bouchard	A63G 11/00	472/4
2,720,395	A *	10/1955	Panske	A63G 11/00	472/4
3,107,913	A *	10/1963	Rouse	A63G 11/00	472/4
3,172,659	A *	3/1965	Daleiden	A63G 1/18	472/24
3,462,140	A *	8/1969	Halaj	A63G 1/40	472/18
D216,404	S *	12/1969	Froehlich	D21/830	
3,588,100	A *	6/1971	Schoenwald	A63G 11/00	472/4
3,614,096	A *	10/1971	Ely	A63G 11/00	472/4
D269,538	S *	6/1983	Sinfield	D21/412	
D270,558	S *	9/1983	Fuller	D21/412	
5,951,406	A *	9/1999	Steane	A63G 11/00	472/111
D462,411	S *	9/2002	Paas	D21/830	
6,712,709	B1 *	3/2004	Henderson	A63G 11/00	472/106
D512,747	S	12/2005	Habing			
D567,882	S *	4/2008	Mann	D21/412	
9,033,808	B1 *	5/2015	Barenie	A63G 11/00	472/106
9,415,317	B2	8/2016	Hatfield			
9,623,341	B1 *	4/2017	Mamelka	A63G 31/007	
D886,932	S *	6/2020	Srihari	D21/830	
2006/0128482	A1	6/2006	Habing			
2008/0234058	A1	9/2008	Gordon et al.			
2009/0186711	A1	7/2009	Habing			
2010/0197417	A1 *	8/2010	May	A63G 1/32	472/106
2011/0059805	A1 *	3/2011	Grossman	A63G 11/00	472/106
2014/0309047	A1 *	10/2014	Keetch	A63G 1/14	472/108
2016/0089609	A1 *	3/2016	Hatfield	A63G 11/00	472/112

* cited by examiner

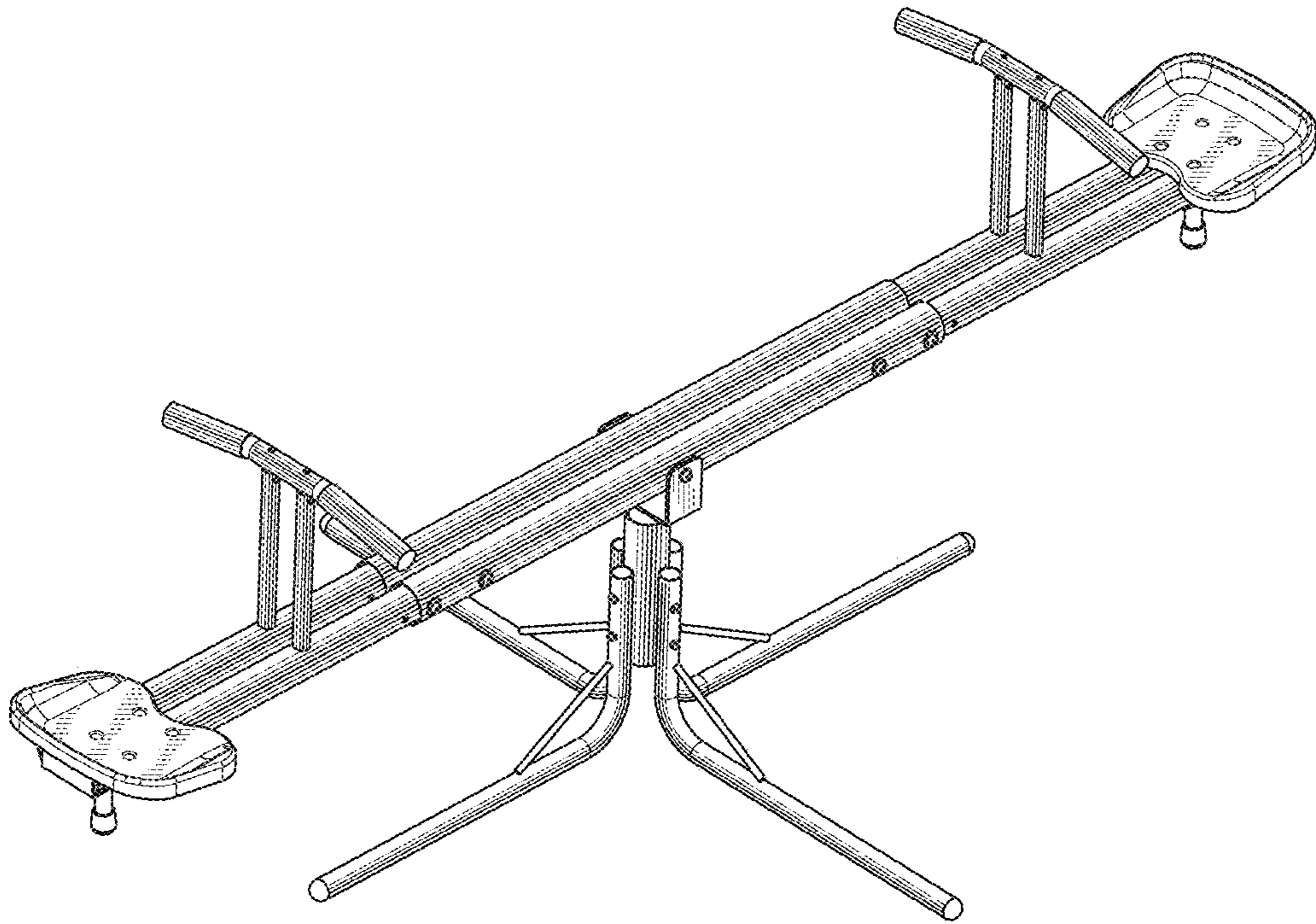


FIG. 1

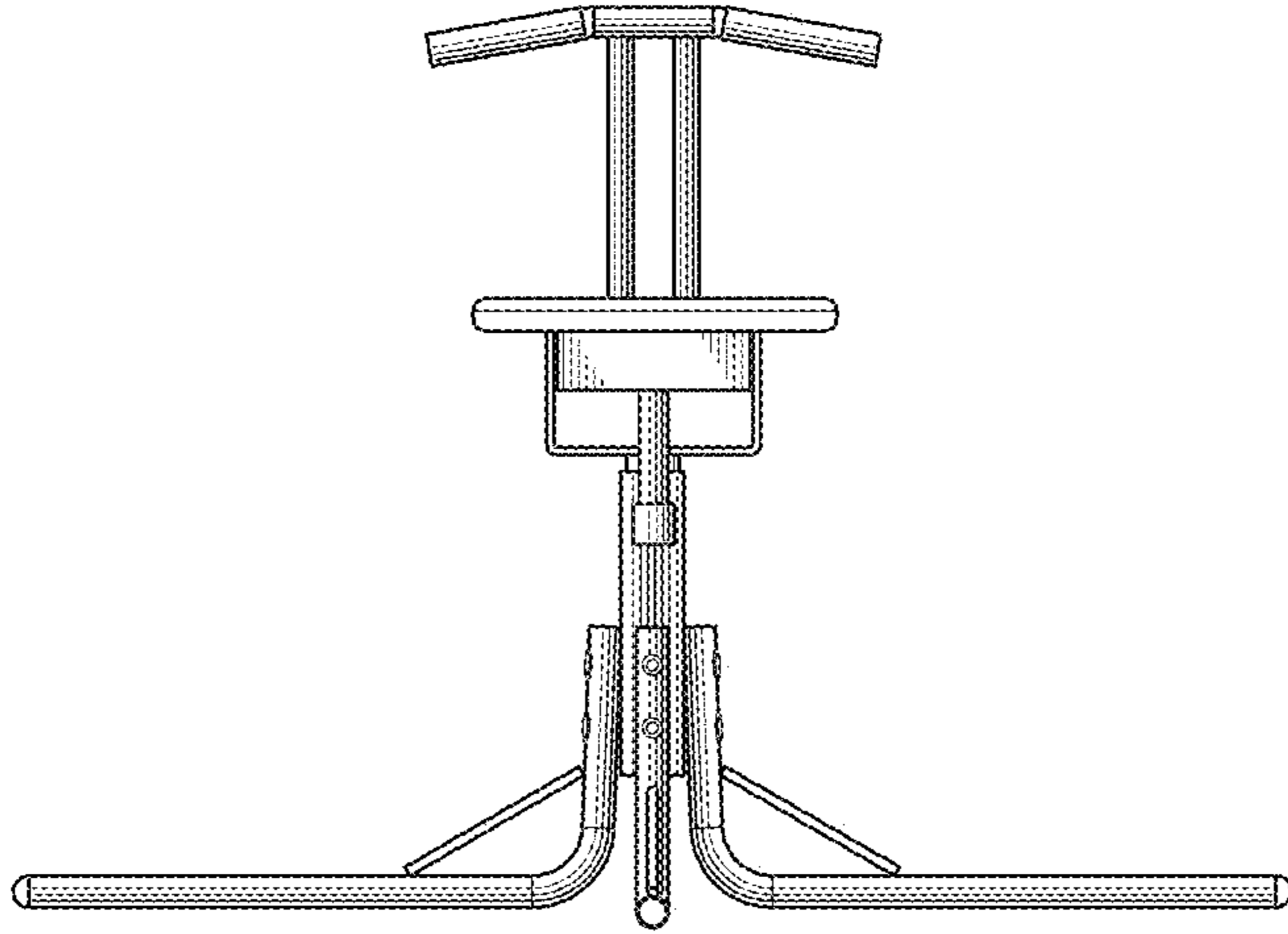


FIG. 2

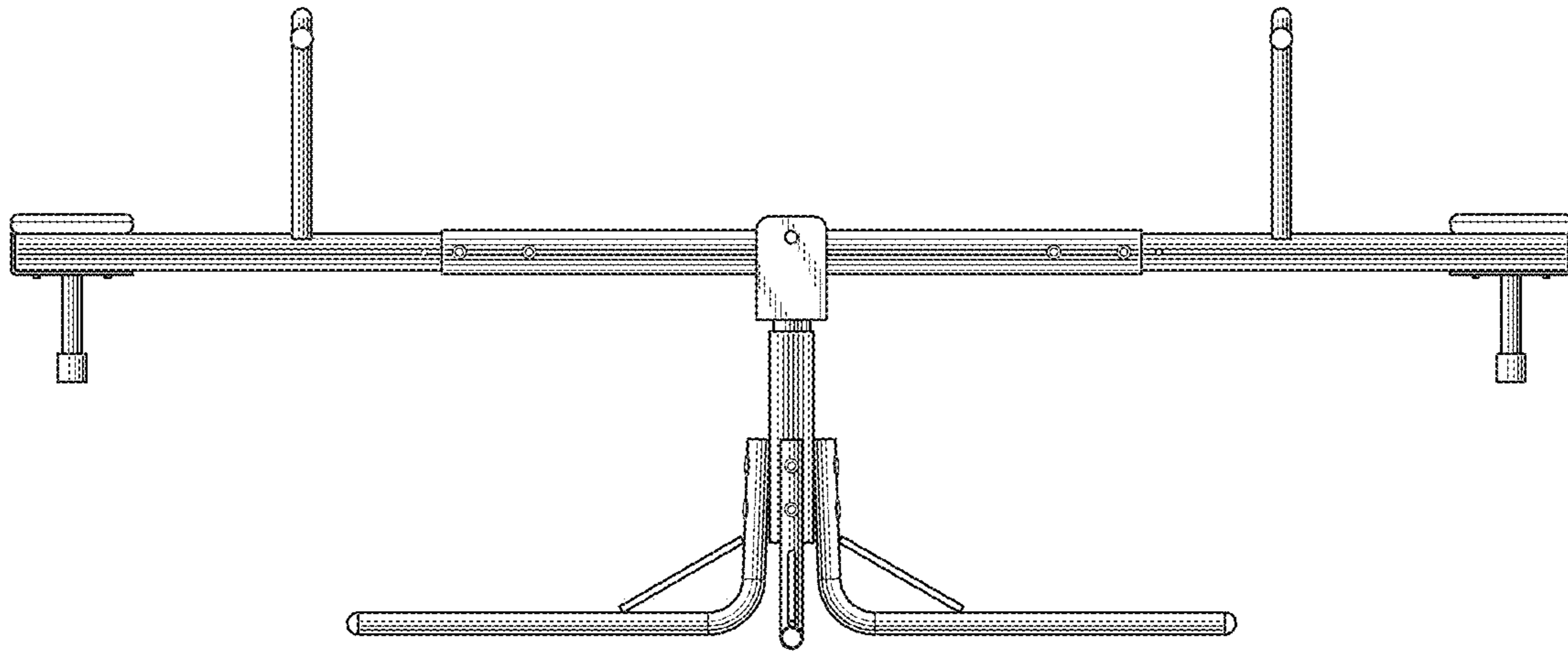


FIG. 3

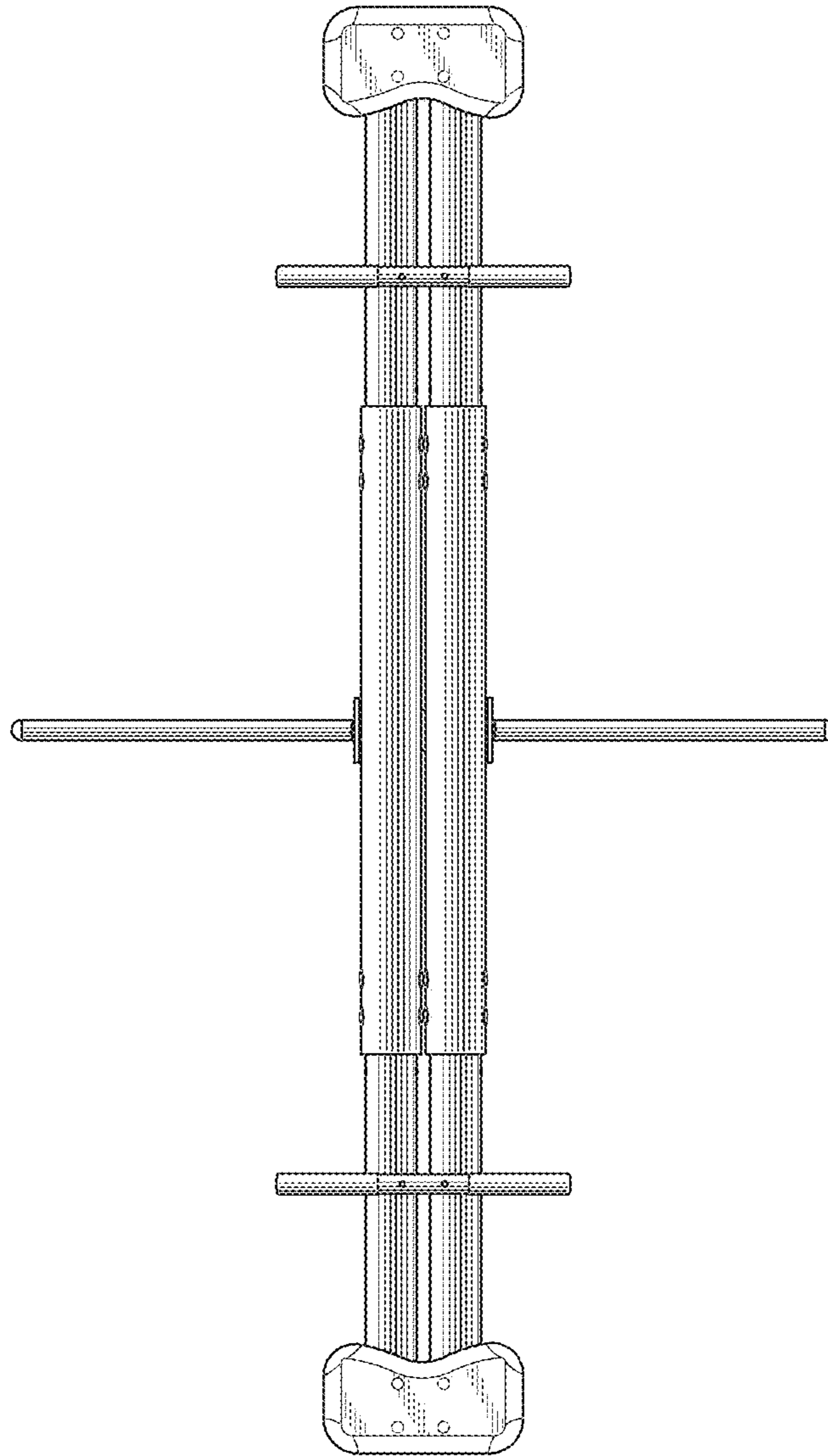


FIG. 4

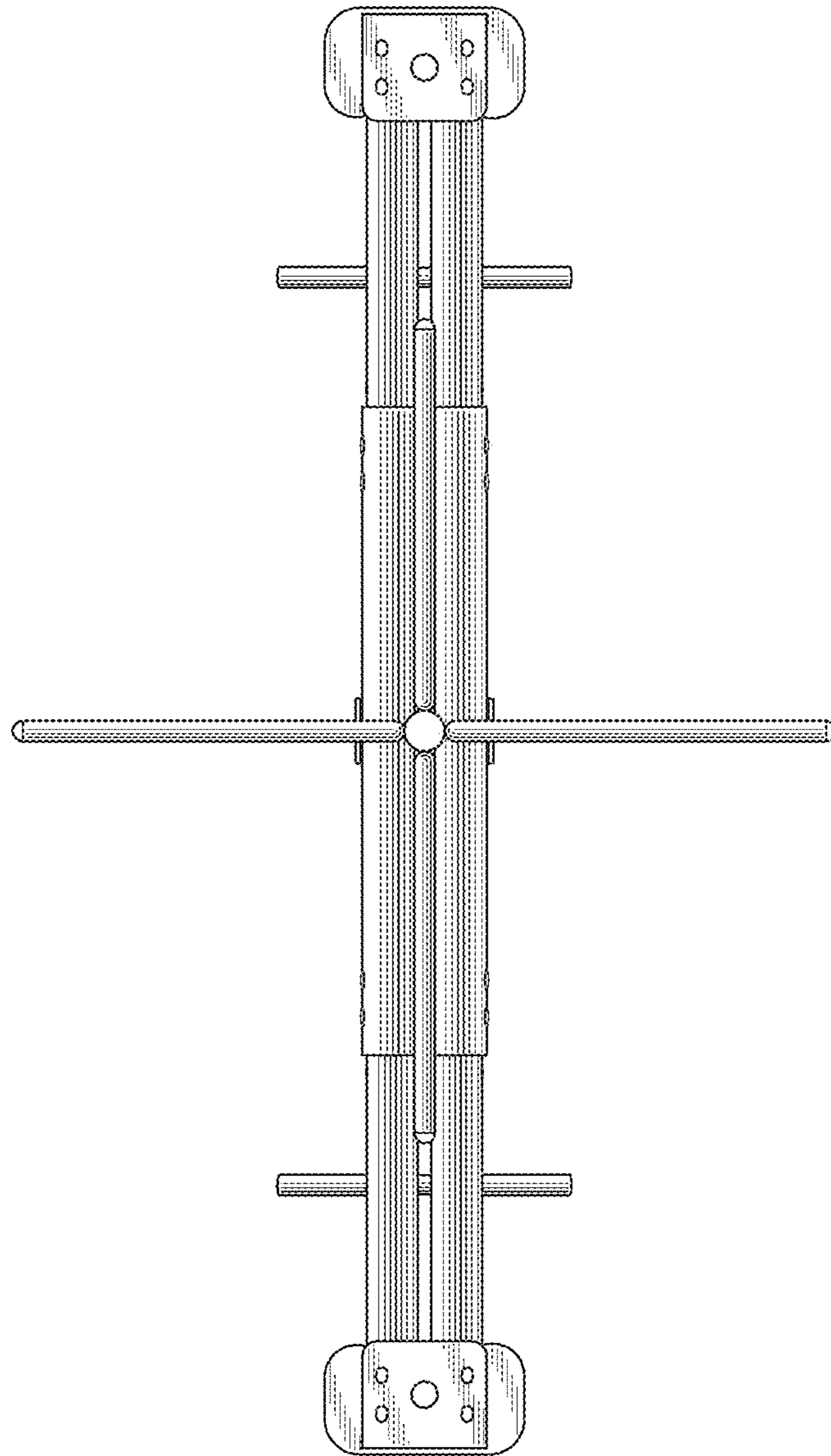


FIG. 5