



US00D940264S

(12) **United States Design Patent**
Zhao

(10) **Patent No.:** **US D940,264 S**
(45) **Date of Patent:** **** Jan. 4, 2022**

(54) **TREADMILL**

(71) Applicant: **SHANDONG MBH FITNESS Co., Ltd.**, Shandong (CN)

(72) Inventor: **Jinzhi Zhao**, Shandong (CN)

(73) Assignee: **SHANDONG MBH FITNESS CO., LTD.**, Shandong (CN)

(**) Term: **15 Years**

(21) Appl. No.: **29/641,183**

(22) Filed: **Mar. 20, 2018**

(30) **Foreign Application Priority Data**

Sep. 21, 2017 (CN) 201730450424.2

(51) **LOC (13) Cl.** **21-02**

(52) **U.S. Cl.**

USPC **D21/797**

(58) **Field of Classification Search**

USPC 482/34, 38, 130, 907, 54, 2, 51, 8, 70, 482/146; D21/662, 668, 669, 685, 686, D21/691, 694; 198/439, 456; D30/160; 601/35, 23, 5, 34

CPC A63B 2244/22; A63B 1/00; A63B 71/023; A63B 2210/50; A63B 17/00; A63B 17/02; A63B 17/04; A63B 21/4033; A63B 2023/006; A63B 22/02; A63B 22/0023; A63B 22/0235; A63B 22/0285; A63B 22/0242; A63B 2022/025; A63B 2225/30; A63B 2022/0214; A63B 2220/13; A63B 2022/0228; A63B 2210/56; A63B 2024/0093; A63B 2022/0207; A63B 22/0012; A63B 22/0257; A61H 3/02; A61H 2201/1635; A61H 2003/0233; A61H 3/008; A61H 1/0262; A61H 2201/164; A01K 15/027

See application file for complete search history.

D579,992 S 11/2008 Cesaroni

8,206,269 B2 * 6/2012 Fabbri G06T 7/20 482/8

D682,372 S * 5/2013 Alessandri D21/669

D683,802 S 6/2013 Lee

D704,778 S 5/2014 Decommer

D707,763 S 6/2014 Cutler

D854,101 S * 7/2019 Kruse D21/669

D854,634 S * 7/2019 Zhao D21/669

(Continued)

OTHER PUBLICATIONS

Gym Fitness by FOB dated no date given. Found online [Feb. 26, 2021] https://msfitness.en.alibaba.com/product/60769804243-806537486/Gym_fitness_equipment_crossfit_electric_bike_treadmill.html.*

Primary Examiner — Ryan Harvey
(74) *Attorney, Agent, or Firm* — Craft Chu PLLC; Andrew W. Chu

(57) **CLAIM**

The ornamental design for a treadmill, as shown and described.

DESCRIPTION

FIG. 1 is a back elevation view of the treadmill showing my design.

FIG. 2 is a front elevation view thereof;

FIG. 3 is a side elevation view thereof;

FIG. 4 is an opposite side elevation view thereof;

FIG. 5 is a top plan view thereof;

FIG. 6 is a bottom plan view thereof; and,

FIG. 7 is a front upper perspective view thereof.

The broken lines in the drawings showing the treadmill illustrate the portions of the treadmill that form no part of the claimed design.

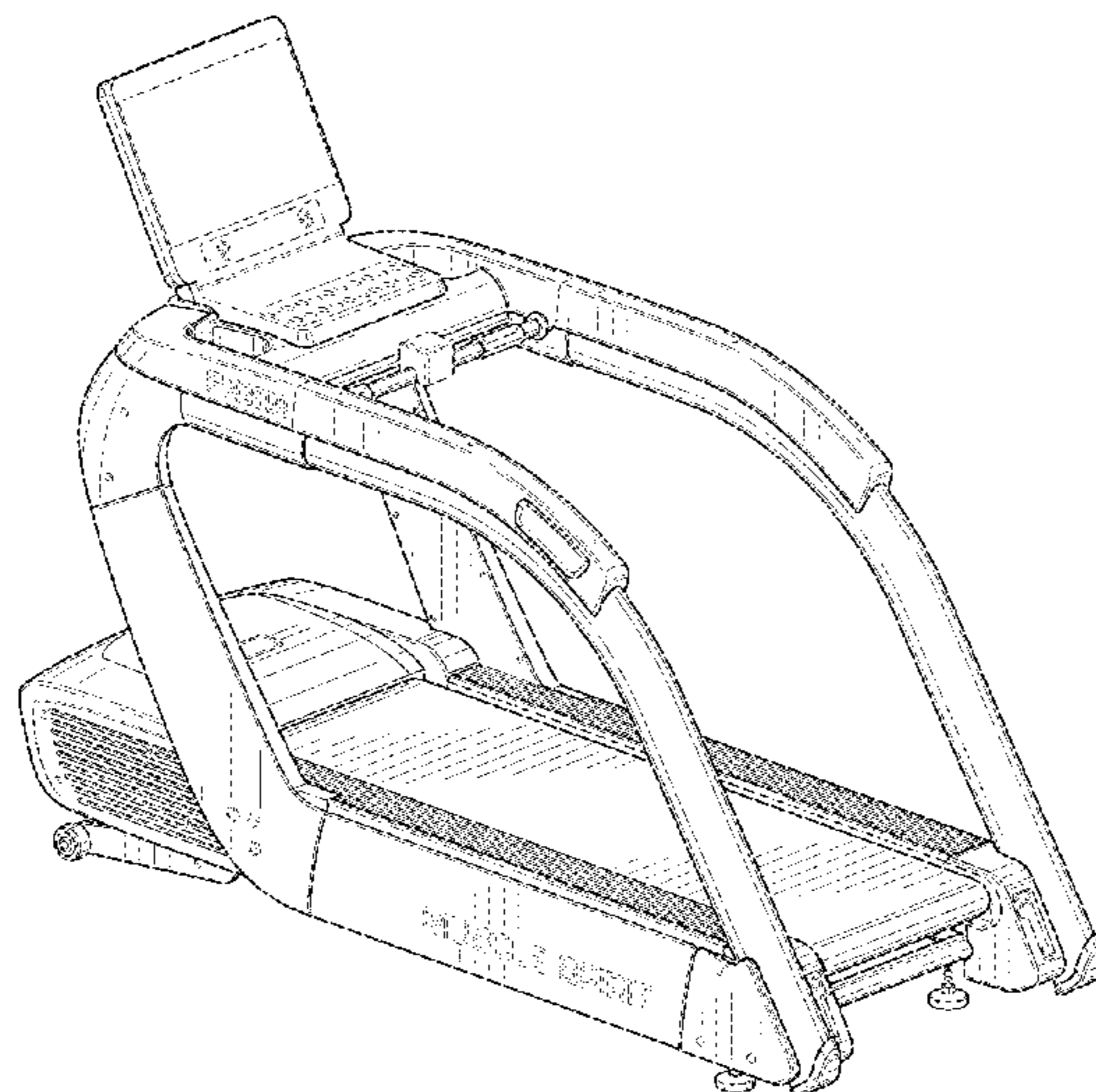
1 Claim, 4 Drawing Sheets

(56) **References Cited**

U.S. PATENT DOCUMENTS

D282,386 S * 1/1986 Dealey D21/669

D445,152 S * 7/2001 Wang D21/669



(56)

References Cited

U.S. PATENT DOCUMENTS

D871,526 S * 12/2019 Zhao D21/669
D873,934 S * 1/2020 Mino D21/669
D876,557 S * 2/2020 Tajima D21/678
D889,569 S * 7/2020 Luo D21/669
2015/0367175 A1* 12/2015 Alessandri A63B 24/0075
482/8
2017/0120102 A1* 5/2017 Chen A63B 71/0054
2017/0333751 A1* 11/2017 Seol A63B 24/0062
2017/0340917 A1* 11/2017 Chang B32B 3/266
2018/0361194 A1* 12/2018 Corbalis A63B 22/0221

* cited by examiner

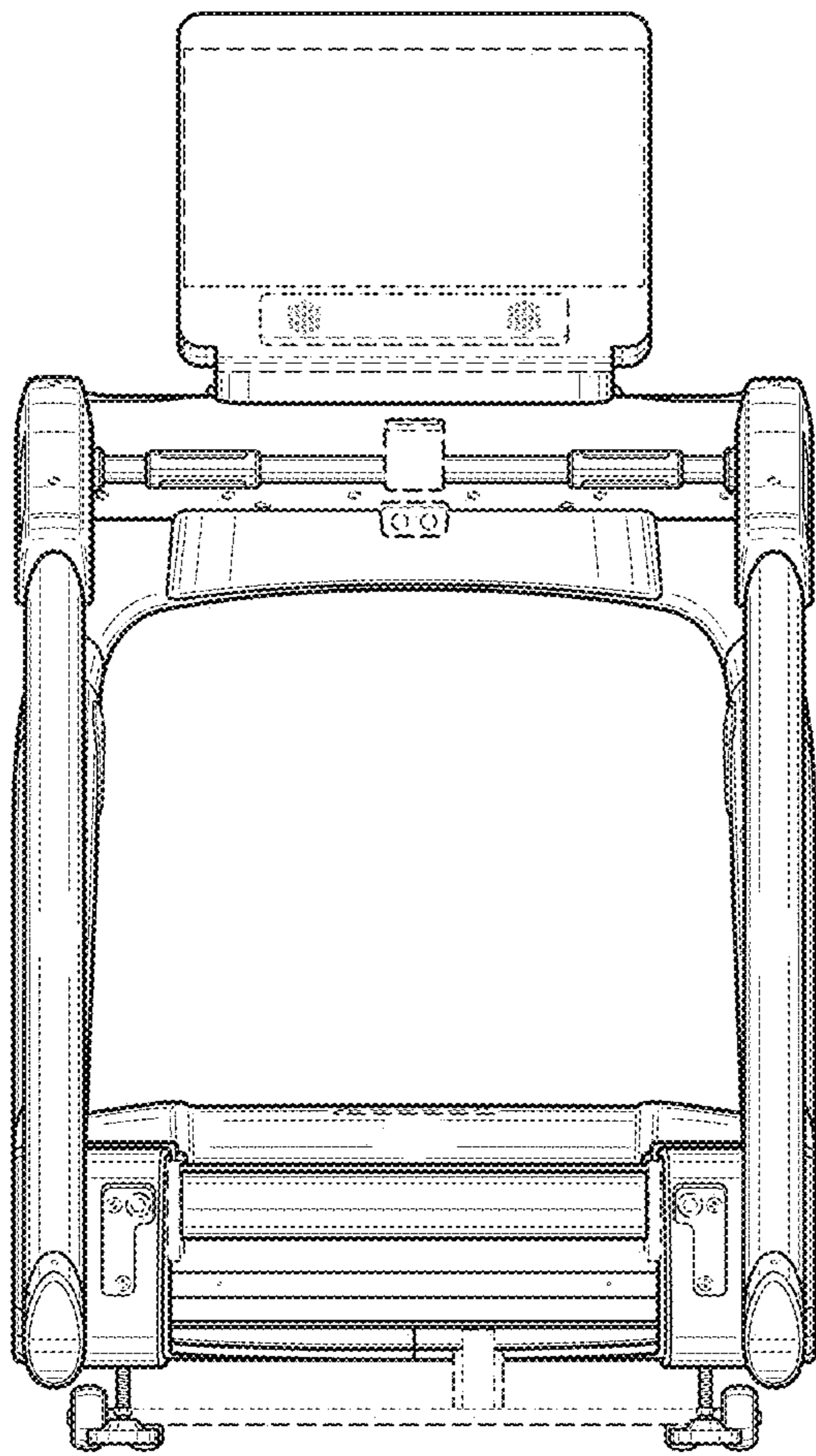


FIG. 1

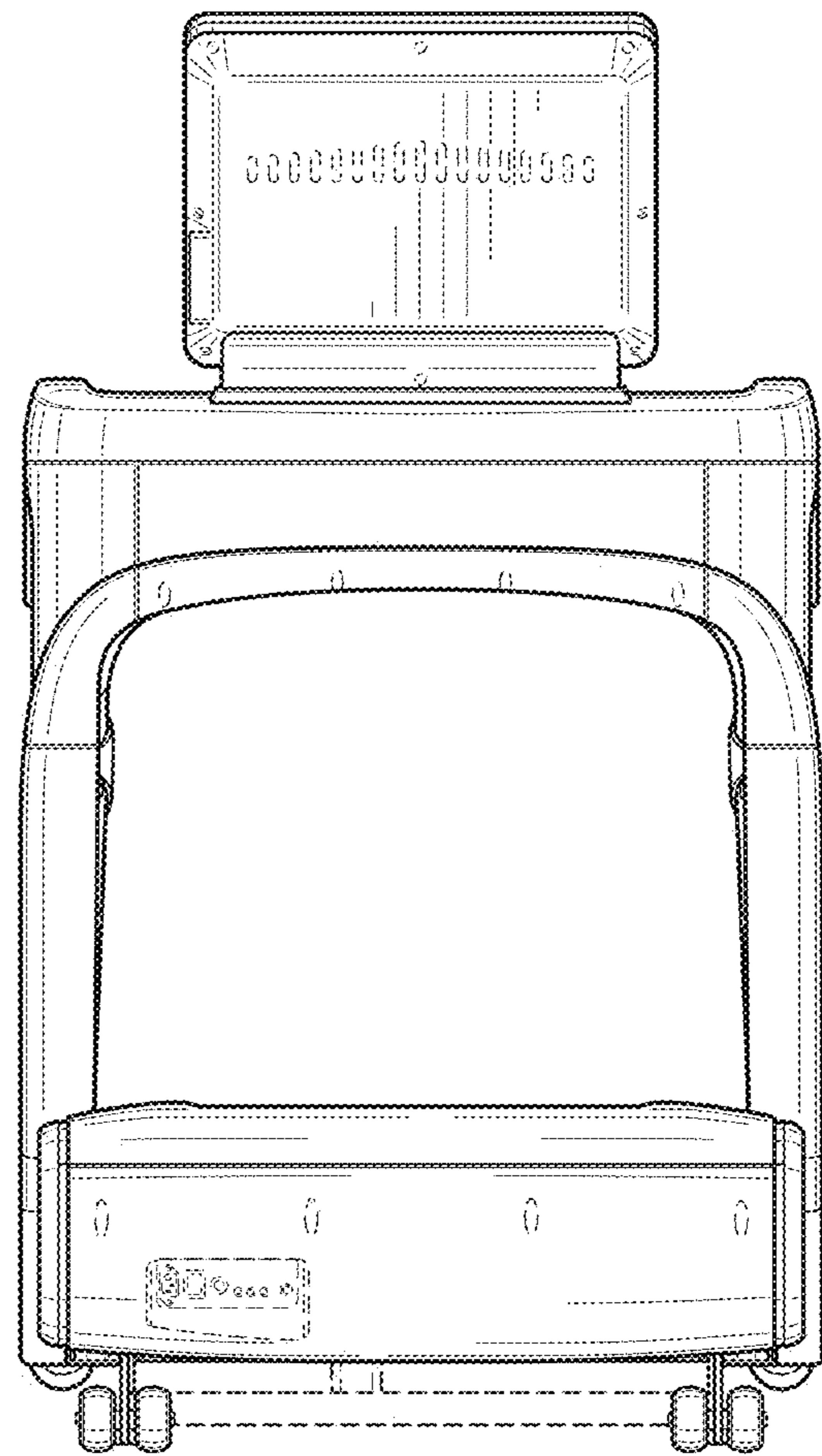


FIG. 2

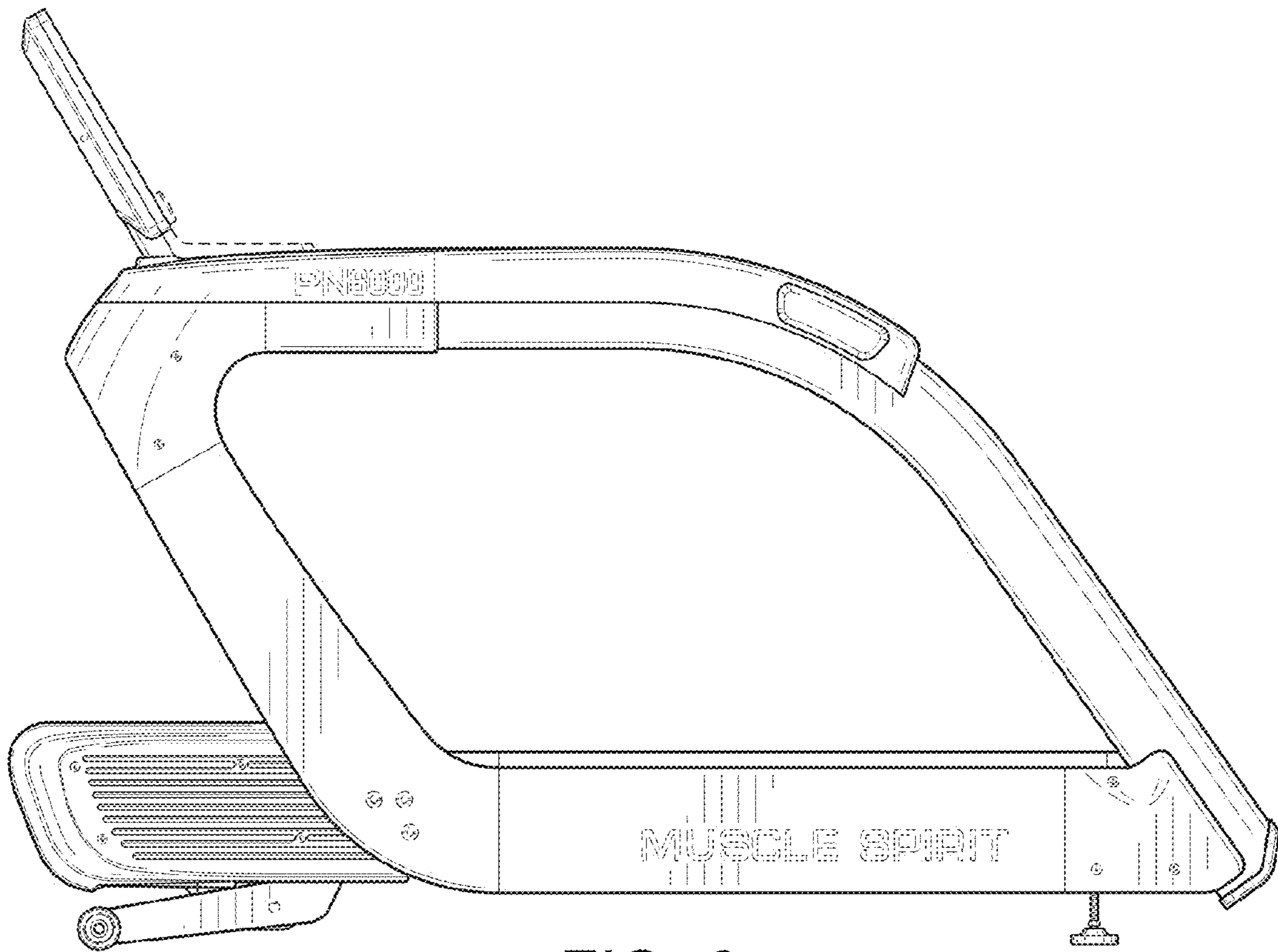


FIG. 3

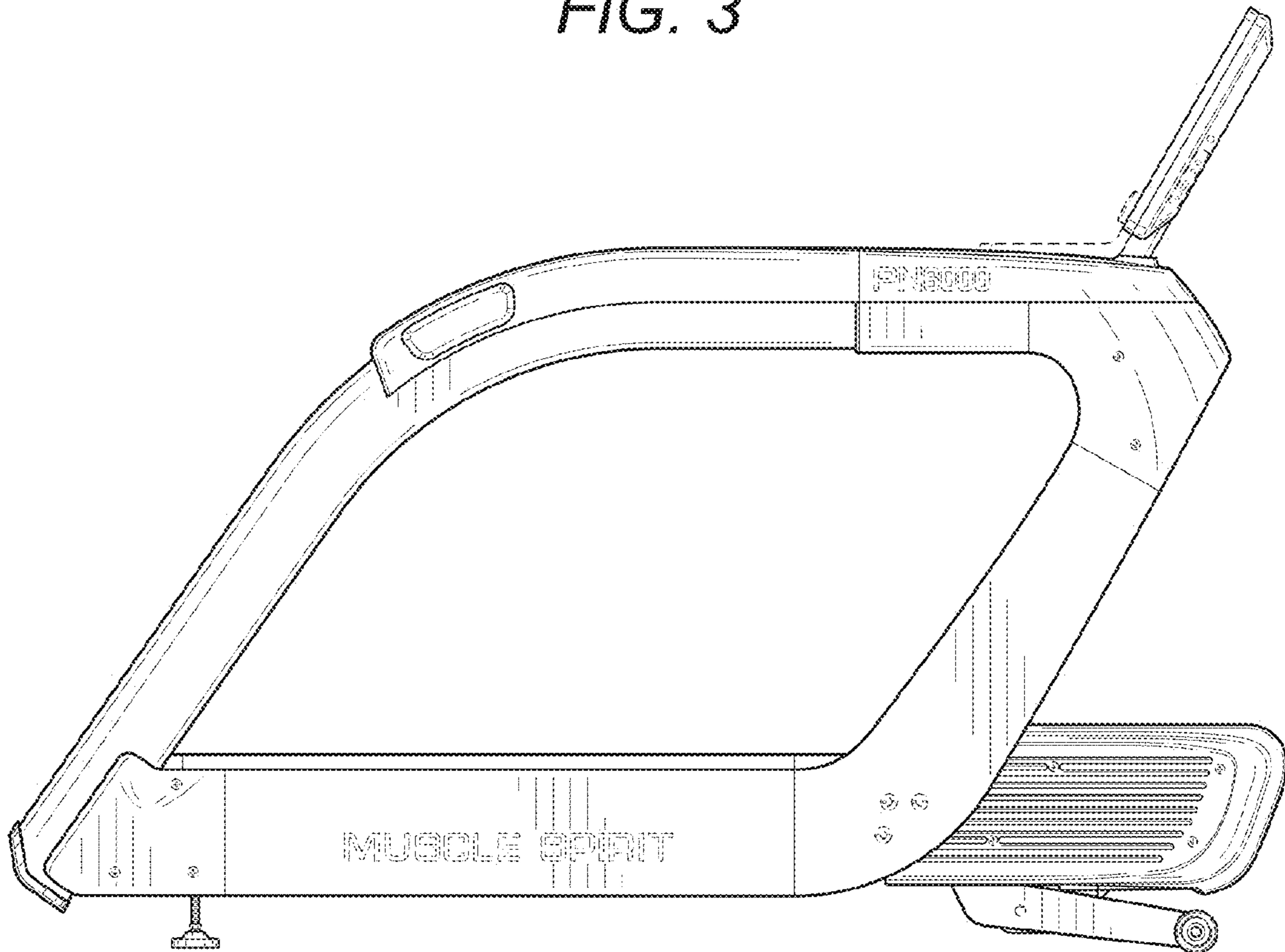


FIG. 4

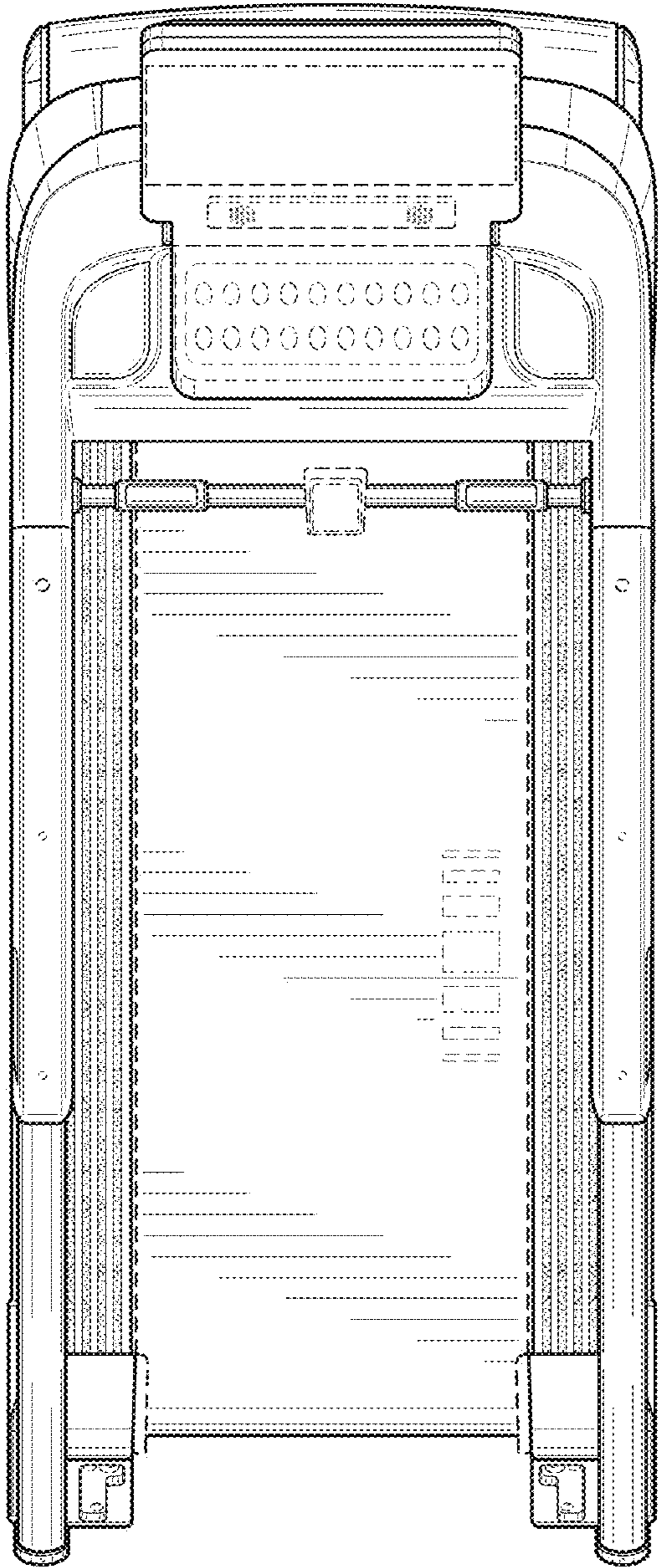


FIG. 5

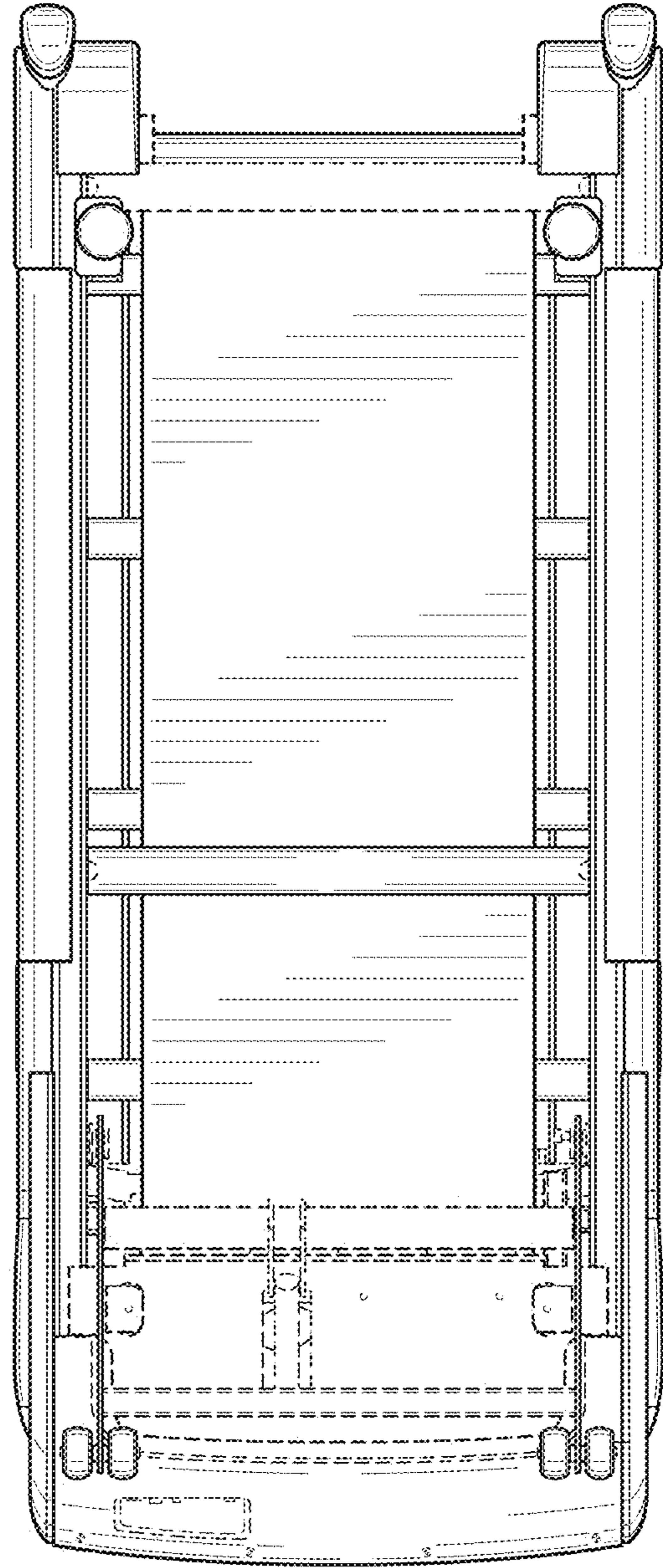


FIG. 6

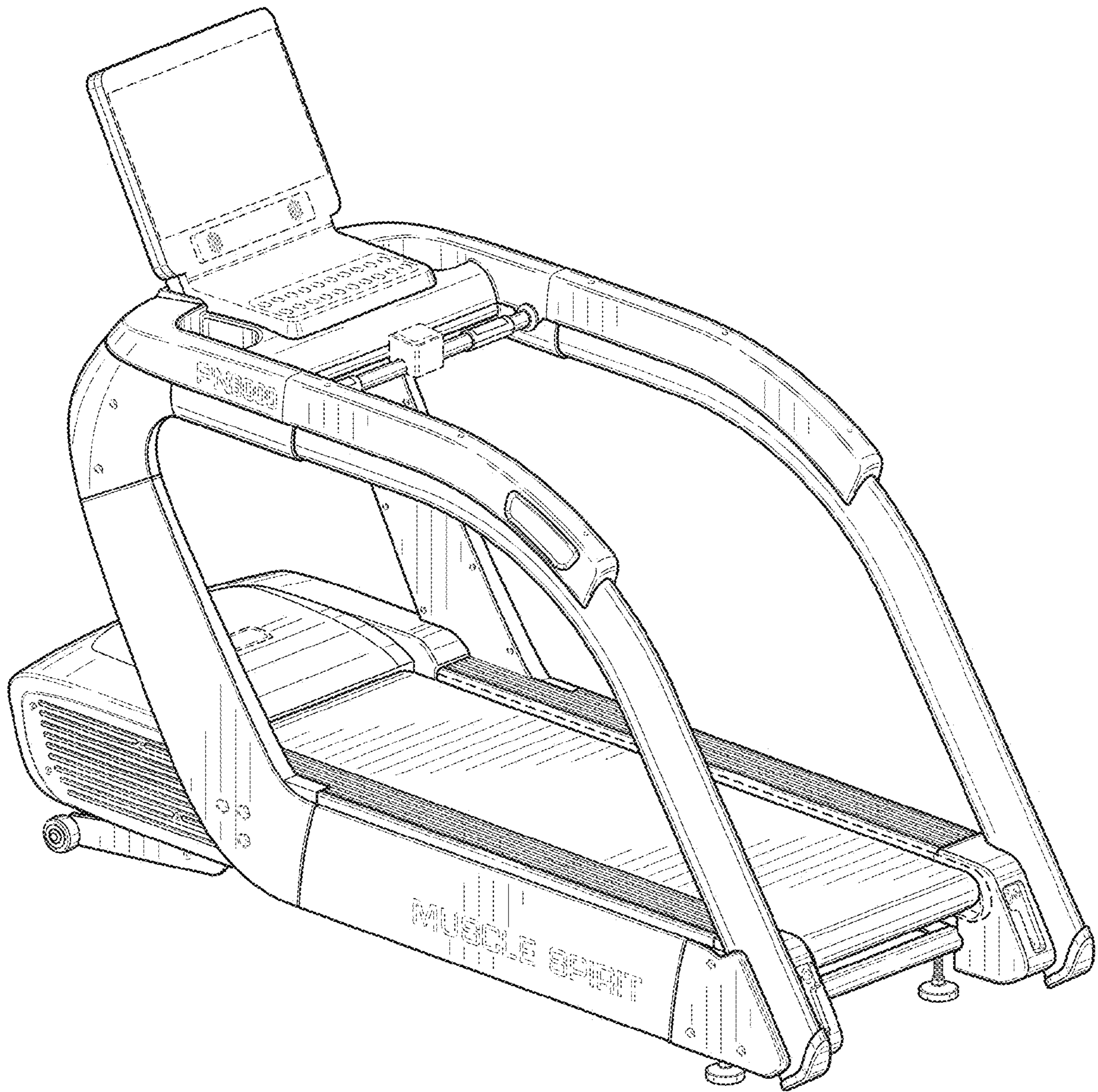


FIG. 7