



US00D940262S

(12) **United States Design Patent**
Parsons et al.

(10) **Patent No.:** **US D940,262 S**
(45) **Date of Patent:** **** Jan. 4, 2022**

(54) **GOLF CLUB HEAD**

- (71) Applicant: **PARSONS XTREME GOLF, LLC**,
Scottsdale, AZ (US)
- (72) Inventors: **Robert R. Parsons**, Scottsdale, AZ
(US); **Michael R. Nicolette**, Scottsdale,
AZ (US); **Bradley D. Schweigert**, Cave
Creek, AZ (US)
- (73) Assignee: **Parsons Xtreme Golf, LLC**,
Scottsdale, AZ (US)
- (**) Term: **15 Years**
- (21) Appl. No.: **29/779,581**
- (22) Filed: **Apr. 20, 2021**

Related U.S. Application Data

- (63) Continuation-in-part of application No. 29/775,632,
filed on Mar. 24, 2021.
- (51) **LOC (13) Cl.** **21-02**
- (52) **U.S. Cl.**
USPC **D21/747**
- (58) **Field of Classification Search**
USPC D21/747-751, 759
CPC A63B 53/00; A63B 53/04; A63B 53/02;
A63B 53/047; A63B 53/0475;
A63BCPC 2053/0479; A63B 2053/0483;
A63B 2053/0445; A63B 60/00; A63B
60/46
See application file for complete search history.

(56) **References Cited**

U.S. PATENT DOCUMENTS

- 1,133,129 A 3/1915 Govan
- 2,254,528 A 9/1941 Hoare
- D164,469 S 9/1951 Behrendt

(Continued)

OTHER PUBLICATIONS

Kozuchowski, Zak, "Callaway Mack Daddy 2 PM Grind Wedges"
(<http://golfwrz.com/276203/callaway-mack-daddy-2-pm-grind-wedges/>), www.golfwrz.com, Golfwrz Holdings, LLC, published
Jan. 21, 2015.

(Continued)

Primary Examiner — Mitchell I. Siegel

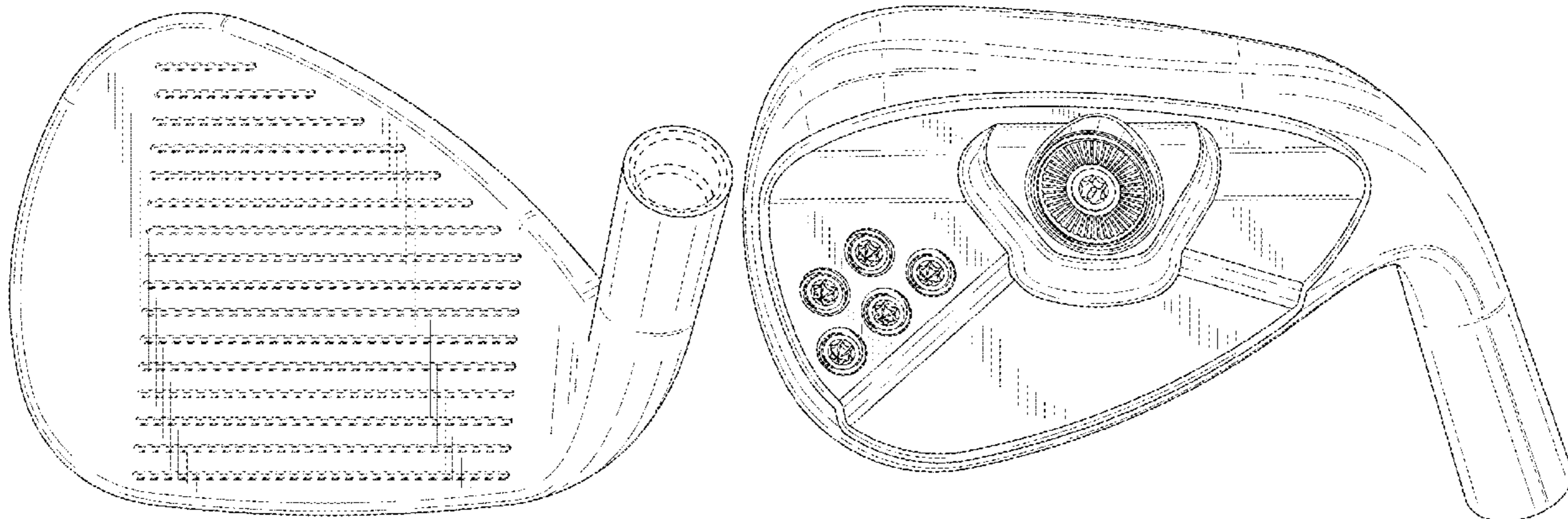
(57) **CLAIM**

The ornamental design for a golf club head, as shown and
described.

DESCRIPTION

FIG. 1 is a top perspective view of a golf club head according to a first embodiment;
 FIG. 2 is a bottom perspective view of the golf club head of FIG. 1;
 FIG. 3 is a front elevational view of the golf club head of FIG. 1;
 FIG. 4 is a rear elevational view of the golf club head of FIG. 1;
 FIG. 5 is a top view of the golf club head of FIG. 1;
 FIG. 6 is a bottom view of the golf club head of FIG. 1;
 FIG. 7 is a left side view of the golf club head of FIG. 1;
 FIG. 8 is a right side view of the golf club head of FIG. 1;
 FIG. 9 is a top perspective view of a golf club head according to a second embodiment;
 FIG. 10 is a bottom perspective view of the golf club head of FIG. 9;
 FIG. 11 is a front elevational view of the golf club head of FIG. 9;
 FIG. 12 is a rear elevational view of the golf club head of FIG. 9;
 FIG. 13 is a top view of the golf club head of FIG. 9;
 FIG. 14 is a bottom view of the golf club head of FIG. 9;
 FIG. 15 is a left side view of the golf club head of FIG. 9;
 and,
 FIG. 16 is a right side view of the golf club head of FIG. 9.
 The broken lines shown on the drawings form no part of the claimed design.

1 Claim, 8 Drawing Sheets



(56)

References Cited

U.S. PATENT DOCUMENTS

D164,597 S	9/1951	Penna	6,780,123 B2	8/2004	Hasebe
D175,107 S	7/1955	Gordon	D497,963 S	11/2004	Toulon et al.
3,020,048 A	2/1962	Carroll	6,811,496 B2	11/2004	Wahl et al.
D203,936 S	3/1966	Long	D499,779 S	12/2004	Mahaffey et al.
D215,101 S	9/1969	Sabat	D500,350 S	12/2004	Schweigert et al.
D234,963 S	4/1975	Hirata	D500,351 S	12/2004	Schweigert et al.
D239,550 S	4/1976	Timbrook	D502,237 S	2/2005	Schweigert et al.
D240,054 S	5/1976	Meissler	D502,975 S	3/2005	Schweigert et al.
D244,792 S	6/1977	Gelinas	D503,204 S	3/2005	Nicolette et al.
D250,136 S	10/1978	Gelinas	D504,925 S	5/2005	Schweigert et al.
D261,167 S	10/1981	Swanson	D505,171 S	5/2005	Schweigert et al.
D294,617 S	3/1988	Perkins	D507,029 S *	7/2005	Burrows D21/747
D294,817 S	3/1988	Preisler	D507,320 S	7/2005	Roberts et al.
4,754,977 A	7/1988	Sahm	D507,614 S	7/2005	Schweigert et al.
D298,643 S *	11/1988	Mitsui D21/750	D508,099 S	8/2005	Schweigert et al.
4,824,116 A	4/1989	Nagamoto et al.	D508,545 S	8/2005	Roberts et al.
4,988,104 A	1/1991	Shiotani et al.	6,923,733 B2	8/2005	Chen
5,158,296 A	10/1992	Lee	D514,183 S	1/2006	Schweigert et al.
5,176,384 A	1/1993	Sata et al.	D516,650 S	3/2006	Wolfe et al.
5,213,328 A	5/1993	Long et al.	D517,626 S	3/2006	Gilbert et al.
D336,672 S	6/1993	Gorman	D518,863 S	4/2006	Motoyoshi et al.
D346,840 S *	5/1994	Fenton D21/751	D521,095 S	5/2006	Nagai et al.
D353,862 S	12/1994	Saito	D523,501 S	6/2006	Nicolette et al.
D357,520 S	4/1995	Helmstetter et al.	D523,917 S	6/2006	Wolfe et al.
5,419,560 A	5/1995	Bamber	D524,889 S	7/2006	Yu et al.
5,425,535 A	6/1995	Gee	D530,759 S	10/2006	Nicolette et al.
D361,358 S	8/1995	Simmons	D530,760 S	10/2006	Schweigert et al.
5,447,311 A	9/1995	Viollaz et al.	7,121,956 B2	10/2006	Lo
5,451,056 A	9/1995	Manning	7,128,663 B2	10/2006	Bamber
D362,884 S	10/1995	Blough et al.	D531,688 S	11/2006	Frame et al.
D362,885 S	10/1995	Blough et al.	D532,849 S	11/2006	Nicolette et al.
D362,887 S	10/1995	Blough et al.	D533,610 S *	12/2006	Cleveland D21/747
D370,514 S	6/1996	Blough et al.	D534,228 S	12/2006	Nicolette et al.
5,540,437 A	7/1996	Bamber	D534,595 S	1/2007	Hasebe
D379,106 S	5/1997	Maltby	D534,597 S	1/2007	Nicolette et al.
5,637,045 A	6/1997	Igarashi	7,156,751 B2	1/2007	Wahl et al.
5,669,830 A	9/1997	Bamber	D536,759 S	2/2007	Schweigert et al.
D389,540 S	1/1998	Mendenhall	D537,494 S	2/2007	Jertson et al.
D389,541 S	1/1998	Huan-Chiang	7,182,698 B2	2/2007	Tseng
D395,476 S *	6/1998	Pond D21/747	D538,366 S	3/2007	Nicolette et al.
5,766,091 A	6/1998	Humphrey et al.	D539,864 S	4/2007	Nicolette et al.
5,766,092 A	6/1998	Mimeur et al.	D540,898 S	4/2007	Solheim et al.
D399,277 S	10/1998	Ezaki	D541,360 S	4/2007	Schweigert et al.
5,827,132 A	10/1998	Bamber	7,207,900 B2	4/2007	Nicolette et al.
D408,485 S	4/1999	Takahashi et al.	D543,601 S	5/2007	Kawami
5,899,821 A	5/1999	Hsu et al.	D544,056 S	6/2007	Nicolette et al.
5,935,016 A	8/1999	Antonious	D545,387 S *	6/2007	Roberts D21/747
D414,535 S	9/1999	Mertens	D547,410 S	7/2007	Nicolette et al.
D421,080 S	2/2000	Chen	D555,219 S	11/2007	Lin
D426,276 S	6/2000	Besnard et al.	7,303,486 B2	12/2007	Imamoto
D426,476 S	6/2000	Goss	D559,932 S	1/2008	Belmont
6,077,171 A	6/2000	Yoneyama	D561,280 S *	2/2008	Rollinson D21/748
D442,659 S	5/2001	Kubica et al.	D561,855 S	2/2008	Schweigert et al.
D443,008 S	5/2001	Kubica et al.	D562,925 S	2/2008	Schweigert et al.
D445,862 S	7/2001	Ford	7,351,164 B2	4/2008	Schweigert et al.
6,290,609 B1	9/2001	Takeda	D570,435 S	6/2008	Sanchez et al.
D449,866 S *	10/2001	Miller D21/747	D570,935 S	6/2008	Nicolette et al.
D457,211 S *	5/2002	Bakke D21/747	D570,936 S	6/2008	Schweigert et al.
D458,328 S	6/2002	Solheim et al.	D570,942 S	6/2008	Chen et al.
D468,382 S *	1/2003	Wahl D21/747	D571,422 S	6/2008	Schweigert et al.
D469,833 S	2/2003	Roberts et al.	D571,425 S	6/2008	Chen et al.
D470,554 S *	2/2003	Truesdale D21/747	D571,427 S	6/2008	Schweigert et al.
D473,605 S	4/2003	Petersen et al.	D571,881 S	6/2008	Nicolette et al.
D475,107 S	5/2003	Madore	D572,326 S	7/2008	Schweigert et al.
D476,048 S *	6/2003	Cleveland D21/747	D572,327 S	7/2008	Diaz et al.
D478,949 S	8/2003	DeLaCruz	D572,328 S	7/2008	Diaz et al.
D479,568 S *	9/2003	Rodgers D21/747	D572,329 S	7/2008	Nicolette et al.
6,638,162 B2	10/2003	Bennett	D573,219 S	7/2008	Schweigert et al.
6,638,182 B2	10/2003	Kosmatka	7,396,299 B2	7/2008	Nicolette et al.
6,695,714 B1	2/2004	Bliss et al.	7,413,518 B2	8/2008	Cole et al.
6,702,693 B2	3/2004	Bamber	D577,783 S	9/2008	Schweigert et al.
D488,201 S	4/2004	Wahl et al.	D578,590 S	10/2008	Schweigert et al.
D492,376 S	6/2004	Nicolette et al.	D581,000 S	11/2008	Nicolette et al.
D494,240 S	8/2004	Schweigert	D581,004 S	11/2008	Schweigert et al.
D494,648 S	8/2004	Schweigert et al.	D584,370 S *	1/2009	Cleveland D21/747
			D584,371 S	1/2009	Chick et al.
			D585,103 S	1/2009	Foster et al.
			D586,414 S	2/2009	Foster et al.
			D587,327 S	2/2009	Ines et al.

US D940,262 S

D587,769 S *	3/2009	Honea	D21/747	D707,316 S	6/2014	Aguayo et al.	
D594,518 S	6/2009	Schweigert		D707,317 S	6/2014	Aguayo et al.	
D596,256 S	7/2009	Schweigert et al.		8,753,230 B2	6/2014	Stokke et al.	
D596,257 S	7/2009	Jertson et al.		D708,688 S	7/2014	Nicolette et al.	
D596,258 S	7/2009	Jertson et al.		8,827,832 B2	9/2014	Breier et al.	
D596,688 S	7/2009	Schweigert et al.		8,827,833 B2	9/2014	Amano et al.	
D597,158 S	7/2009	Schweigert et al.		8,845,455 B2	9/2014	Ban et al.	
D597,616 S *	8/2009	Ines	D21/747	D716,387 S	10/2014	Aguayo et al.	
D597,617 S *	8/2009	Ines	D21/747	D716,388 S	10/2014	Aguayo et al.	
D597,618 S *	8/2009	Ines	D21/747	D716,391 S	10/2014	Roche et al.	
D598,060 S *	8/2009	Barez	D21/747	D719,627 S	12/2014	Wieland et al.	
D601,216 S	9/2009	Jertson et al.		D722,352 S	2/2015	Nicolette et al.	
7,588,502 B2	9/2009	Nishino		D723,120 S	2/2015	Nicolette	
7,601,075 B2	10/2009	Cole et al.		8,961,336 B1	2/2015	Parsons et al.	
D604,783 S	11/2009	Nicolette et al.		D726,265 S	4/2015	Nicolette	
7,611,424 B2	11/2009	Nagai et al.		9,199,143 B1	12/2015	Parsons et al.	
D606,605 S	12/2009	Wada et al.		D746,749 S	1/2016	Baum	
D607,070 S	12/2009	Wada et al.		D746,926 S	1/2016	Parsons et al.	
D607,071 S	12/2009	Wada et al.		D748,214 S	1/2016	Nicolette et al.	
7,658,686 B2	2/2010	Soracco		D748,749 S	2/2016	Nicolette et al.	
D612,438 S	3/2010	Carllyle et al.		D756,471 S	5/2016	Nicolette et al.	
D612,439 S	3/2010	Carllyle et al.		9,345,938 B2	5/2016	Parsons et al.	
D617,406 S	6/2010	Carllyle et al.		D762,792 S *	8/2016	Oliveiro	D21/747
D618,293 S	6/2010	Foster et al.		D762,793 S	8/2016	Takechi et al.	
7,736,243 B2	6/2010	Sanchez et al.		D764,610 S	8/2016	Parsons et al.	
7,744,484 B1	6/2010	Chao		9,421,437 B2	8/2016	Parsons et al.	
D619,667 S *	7/2010	Cleveland	D21/747	9,427,634 B2	8/2016	Parsons et al.	
D621,893 S	8/2010	Nicolette et al.		9,468,821 B2	10/2016	Parsons et al.	
D621,894 S	8/2010	Schweigert		D773,574 S *	12/2016	Oliveiro	D21/747
D621,895 S	8/2010	Schweigert et al.		D773,575 S	12/2016	Nicolette	
7,798,917 B2	9/2010	Nguyen et al.		9,533,201 B2	1/2017	Parsons et al.	
7,815,521 B2	10/2010	Ban et al.		9,610,481 B2	4/2017	Parsons et al.	
D627,409 S	11/2010	Schweigert et al.		D788,236 S *	5/2017	Bishop	D21/747
D627,410 S	11/2010	Nicolette et al.		9,649,542 B2	5/2017	Nicolette	
7,846,040 B2	12/2010	Ban		D795,979 S	8/2017	Parsons et al.	
D633,159 S	2/2011	Holt et al.		9,764,208 B1	9/2017	Parsons et al.	
D633,967 S	3/2011	Carllyle et al.		D802,068 S	11/2017	Parsons et al.	
D635,627 S	4/2011	Nicolette		D816,787 S *	5/2018	Nicolette	D21/747
7,938,738 B2	5/2011	Roach		D825,891 S	8/2018	Parsons et al.	
D642,642 S	8/2011	Jertson et al.		D827,065 S	8/2018	Nicolette	
D643,488 S	8/2011	Holt et al.		D829,837 S *	10/2018	Wolfe	D21/747
D643,490 S	8/2011	Wada et al.		D832,953 S	11/2018	Bacon et al.	
D643,491 S	8/2011	Stokke et al.		D835,737 S	12/2018	Parsons et al.	
D643,492 S	8/2011	Nicolette et al.		D846,049 S *	4/2019	Becktor	D21/747
D643,895 S	8/2011	Wieland		D852,302 S	6/2019	Parsons et al.	
D643,896 S	8/2011	Jertson et al.		D856,450 S	8/2019	Milleman et al.	
D647,582 S	10/2011	Nicolette et al.		D856,451 S	8/2019	Parsons et al.	
D647,984 S *	11/2011	Atwell	D21/747	D857,820 S	8/2019	Marukawa et al.	
D647,985 S *	11/2011	Atwell	D21/747	D859,547 S	9/2019	Stokke et al.	
D647,987 S *	11/2011	Atwell	D21/747	D860,358 S *	9/2019	Stokke	D21/747
D649,211 S	11/2011	Jertson et al.		D863,478 S	10/2019	Parsons et al.	
8,062,150 B2	11/2011	Gilbert et al.		D866,692 S *	11/2019	Kitching, Jr.	D21/747
D651,268 S	12/2011	Nicolette et al.		D900,259 S *	10/2020	Wolfe	D21/747
8,088,025 B2	1/2012	Wahl et al.		D900,260 S *	10/2020	Wolfe	D21/747
8,092,319 B1	1/2012	Cackett et al.		D910,128 S *	2/2021	Kitching, Jr.	D21/747
8,105,180 B1	1/2012	Cackett et al.		D916,220 S *	4/2021	Parsons	D21/747
8,142,307 B2	3/2012	Sanchez et al.		D921,796 S *	6/2021	Parsons	D21/759
D658,248 S	4/2012	Nunez et al.		D922,506 S *	6/2021	Parsons	D21/747
D659,780 S	5/2012	Llewellyn et al.		D926,272 S *	7/2021	Cleghorn	D21/747
8,221,262 B1	7/2012	Cackett et al.		D926,900 S *	8/2021	Nicolette	D21/747
8,246,487 B1	8/2012	Cackett et al.		D927,620 S *	8/2021	Nicolette	D21/747
D669,947 S *	10/2012	Kim	D21/747	D928,261 S *	8/2021	Clarke	D21/747
D670,775 S	11/2012	Jertson et al.		2002/0107087 A1	8/2002	Fagot	
D672,417 S	12/2012	Jertson et al.		2003/0139226 A1	7/2003	Cheng et al.	
8,328,662 B2	12/2012	Nakamura et al.		2003/0176231 A1	9/2003	Hasebe	
D673,633 S	1/2013	Jertson et al.		2004/0204263 A1	10/2004	Fagot et al.	
D673,634 S	1/2013	Jertson et al.		2005/0009632 A1	1/2005	Schweigert et al.	
8,376,878 B2	2/2013	Bennett et al.		2005/0014573 A1	1/2005	Lee	
D680,603 S	4/2013	Nicolette et al.		2005/0096148 A1	5/2005	Noble et al.	
D681,142 S	4/2013	Fossum et al.		2005/0119066 A1	6/2005	Stites et al.	
D681,143 S	4/2013	Nicolette et al.		2005/0239569 A1	10/2005	Best et al.	
8,414,422 B2	4/2013	Peralta et al.		2005/0277485 A1	12/2005	Hou et al.	
8,506,420 B2	8/2013	Hocknell et al.		2006/0111200 A1	5/2006	Poynor	
8,545,343 B2	10/2013	Boyd et al.		2007/0032308 A1	2/2007	Fagot et al.	
8,574,094 B2	11/2013	Nicolette et al.		2007/0225084 A1	9/2007	Schweigert et al.	
8,657,700 B2	2/2014	Nicolette et al.		2008/0058113 A1	3/2008	Nicolette et al.	
8,663,026 B2	3/2014	Blowers et al.		2008/0188322 A1	8/2008	Anderson et al.	
D703,282 S *	4/2014	Breier	D21/747	2008/0300065 A1	12/2008	Schweigert	
8,690,710 B2	4/2014	Nicolette et al.		2009/0029790 A1	1/2009	Nicolette et al.	

2010/0130306 A1 5/2010 Schweigert
2010/0178999 A1 7/2010 Nicolette et al.
2011/0111683 A1 5/2011 Kelnhofer
2011/0111883 A1 5/2011 Cackett
2011/0165963 A1 7/2011 Cackett et al.
2011/0269567 A1 11/2011 Ban et al.
2011/0294596 A1 12/2011 Ban
2012/0267410 A1 10/2012 Loudenslager et al.
2013/0137532 A1 5/2013 Deshmukh et al.
2013/0225319 A1 8/2013 Kato
2013/0281226 A1 10/2013 Ban
2013/0288823 A1 10/2013 Hebreo
2013/0303303 A1 11/2013 Ban
2013/0310192 A1 11/2013 Wahl et al.
2014/0080621 A1 3/2014 Nicolette et al.
2014/0128175 A1 5/2014 Jertson et al.
2014/0274441 A1 9/2014 Greer
2014/0274451 A1 9/2014 Knight et al.
2015/0136825 A1 5/2015 Kalck et al.
2015/0231454 A1 8/2015 Parsons et al.
2015/0231806 A1 8/2015 Parsons et al.

OTHER PUBLICATIONS

PCT/US2015/016666: International Search Report and Written Opinion dated May 14, 2015 (8 Pages).

Wall, Jonathan, "Details: Phil's Prototype Mack Daddy PM-GRIND Wedge," (<http://www.pgatour.com/equipmentreport/2015/01/21/callaway-wedge.html>), www.pgatour.com, PGA Tour, Inc., Published Jan. 21, 2015.

* cited by examiner

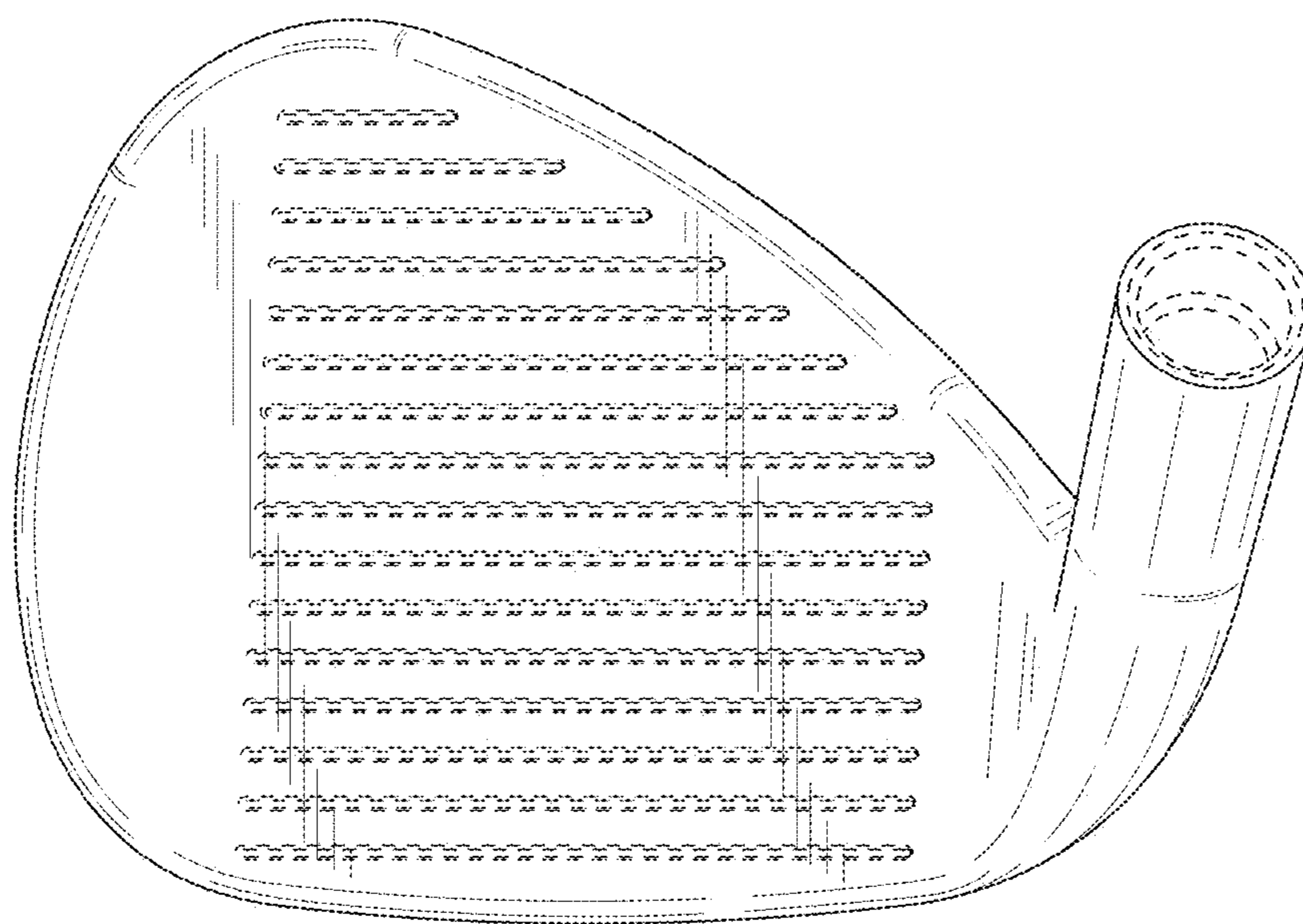


FIG. 1

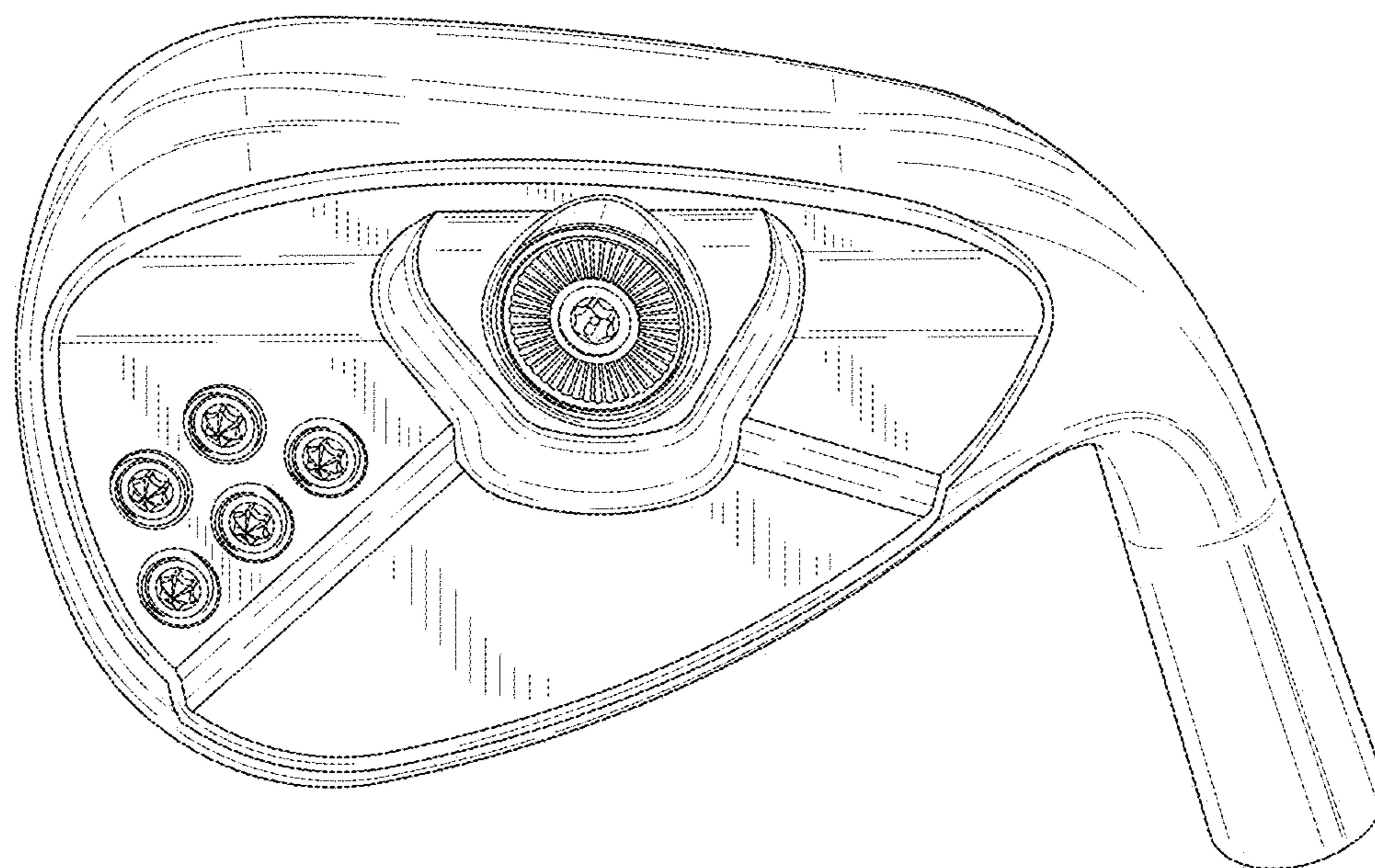


FIG. 2

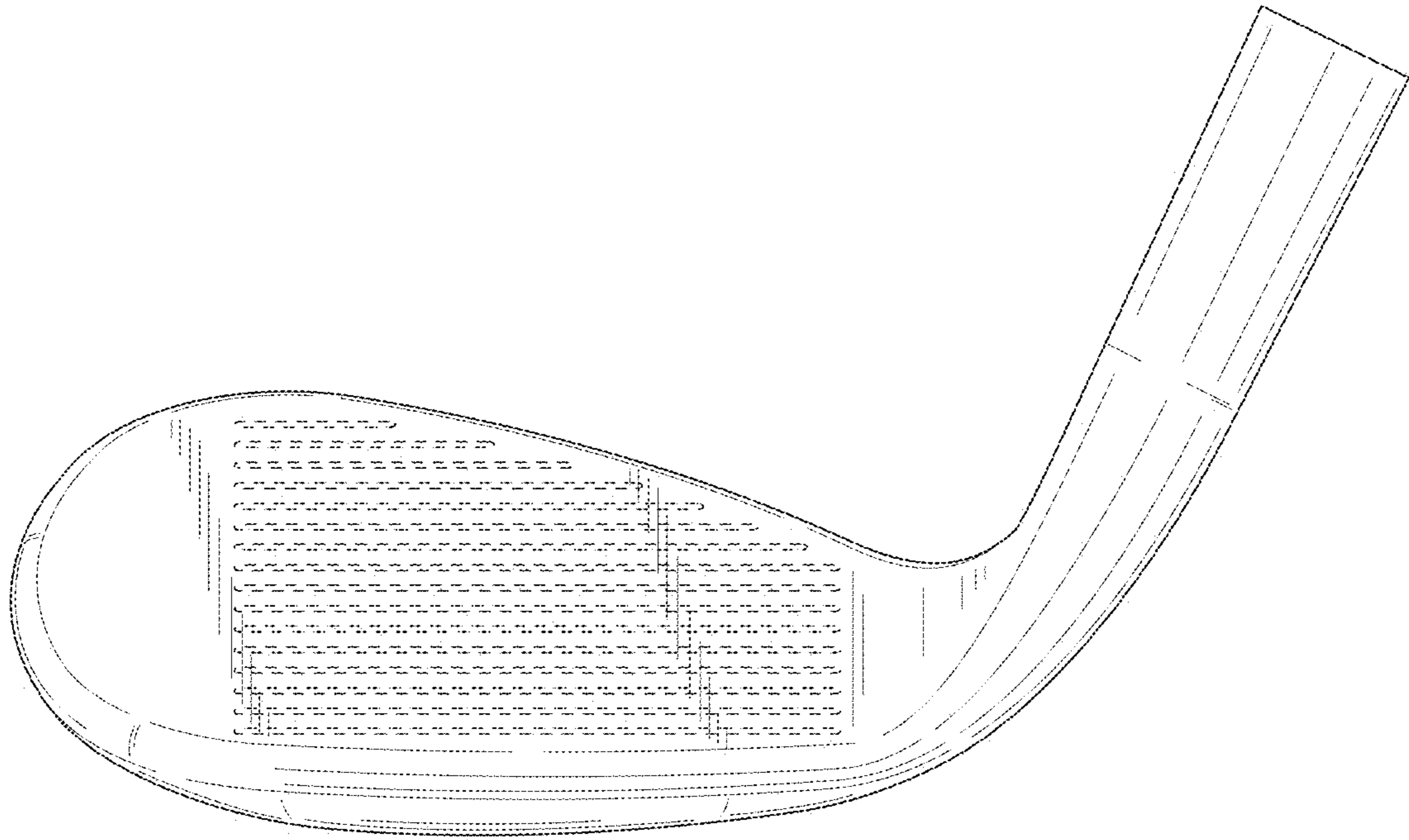


FIG. 3

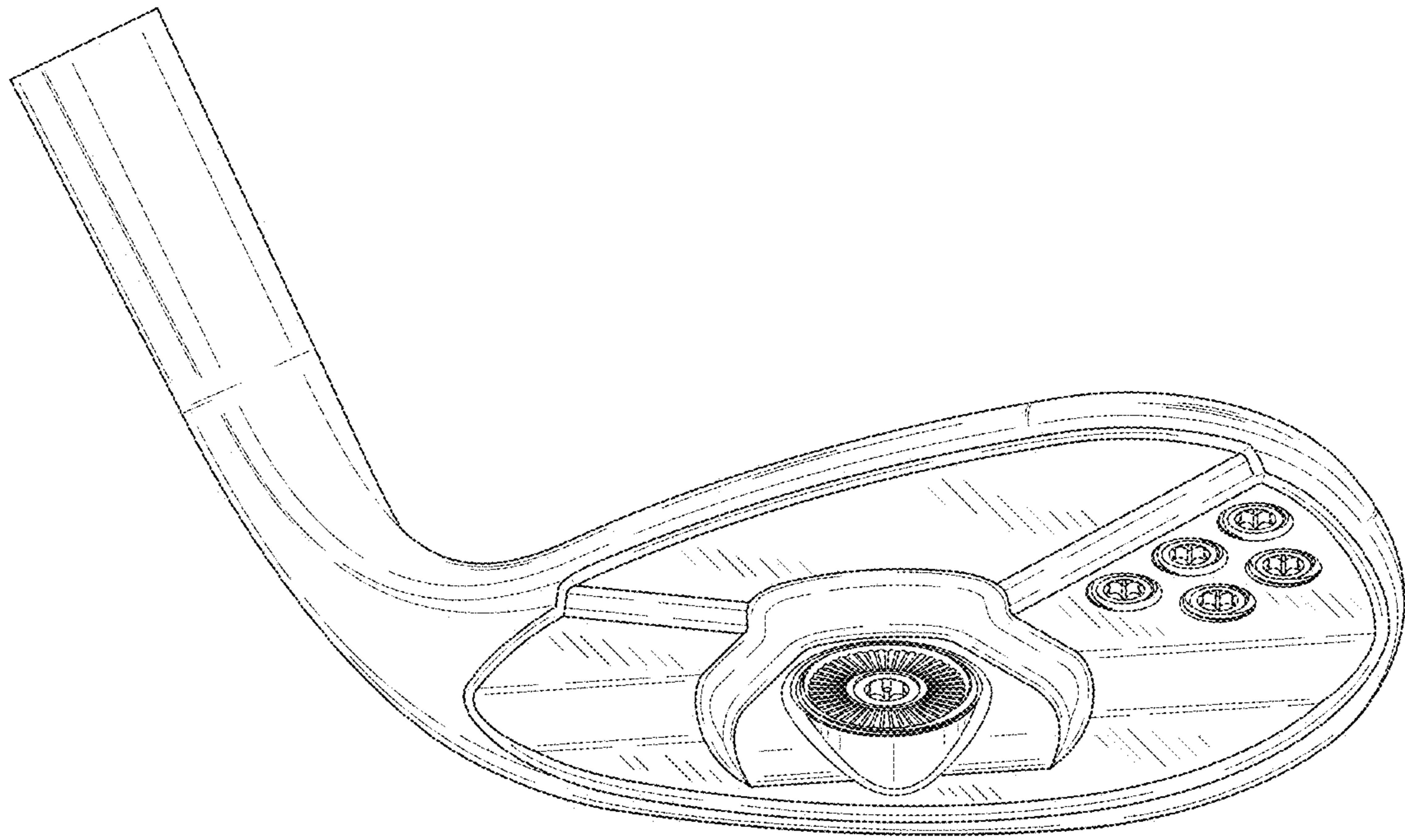


FIG. 4

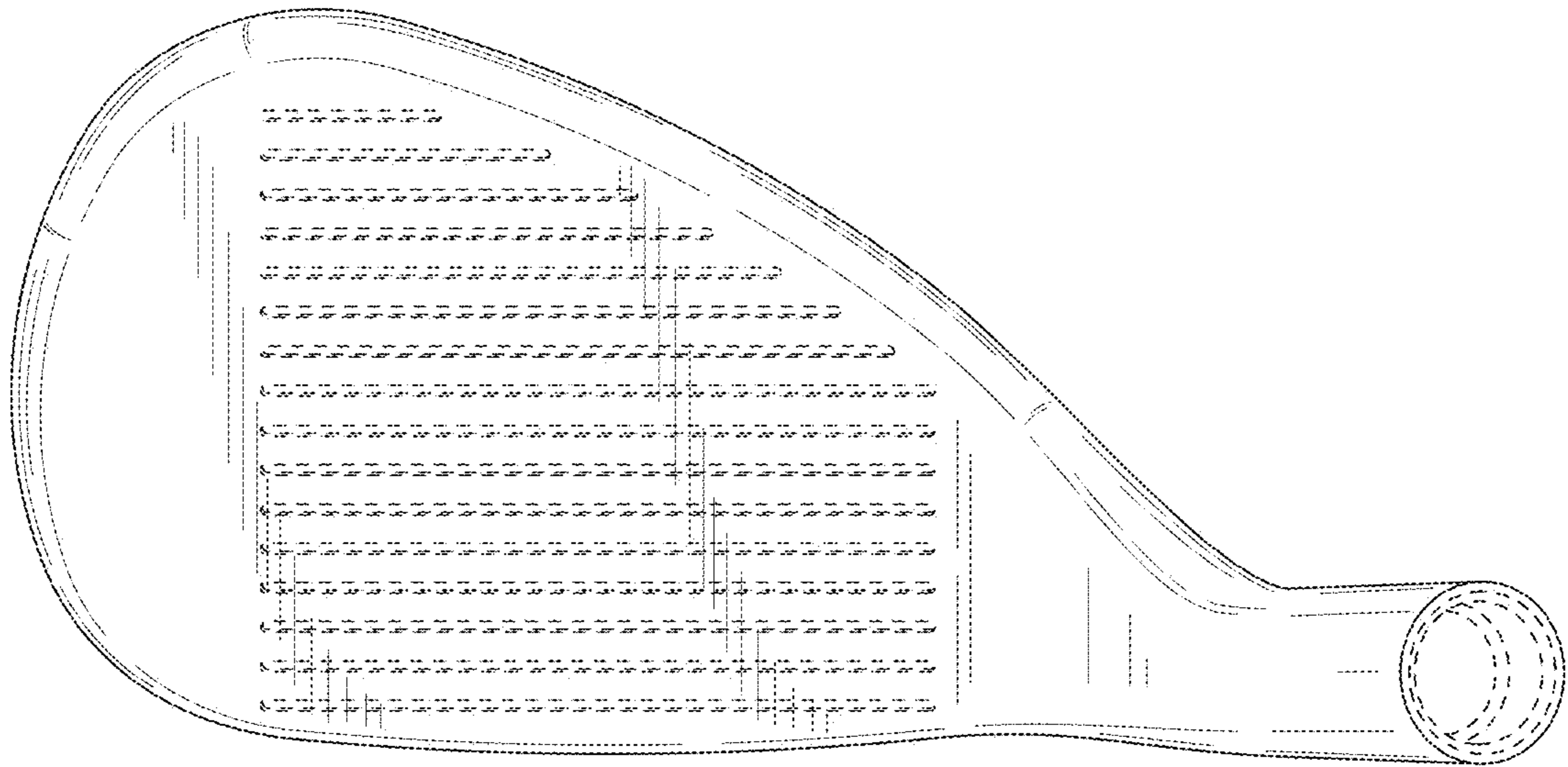


FIG. 5

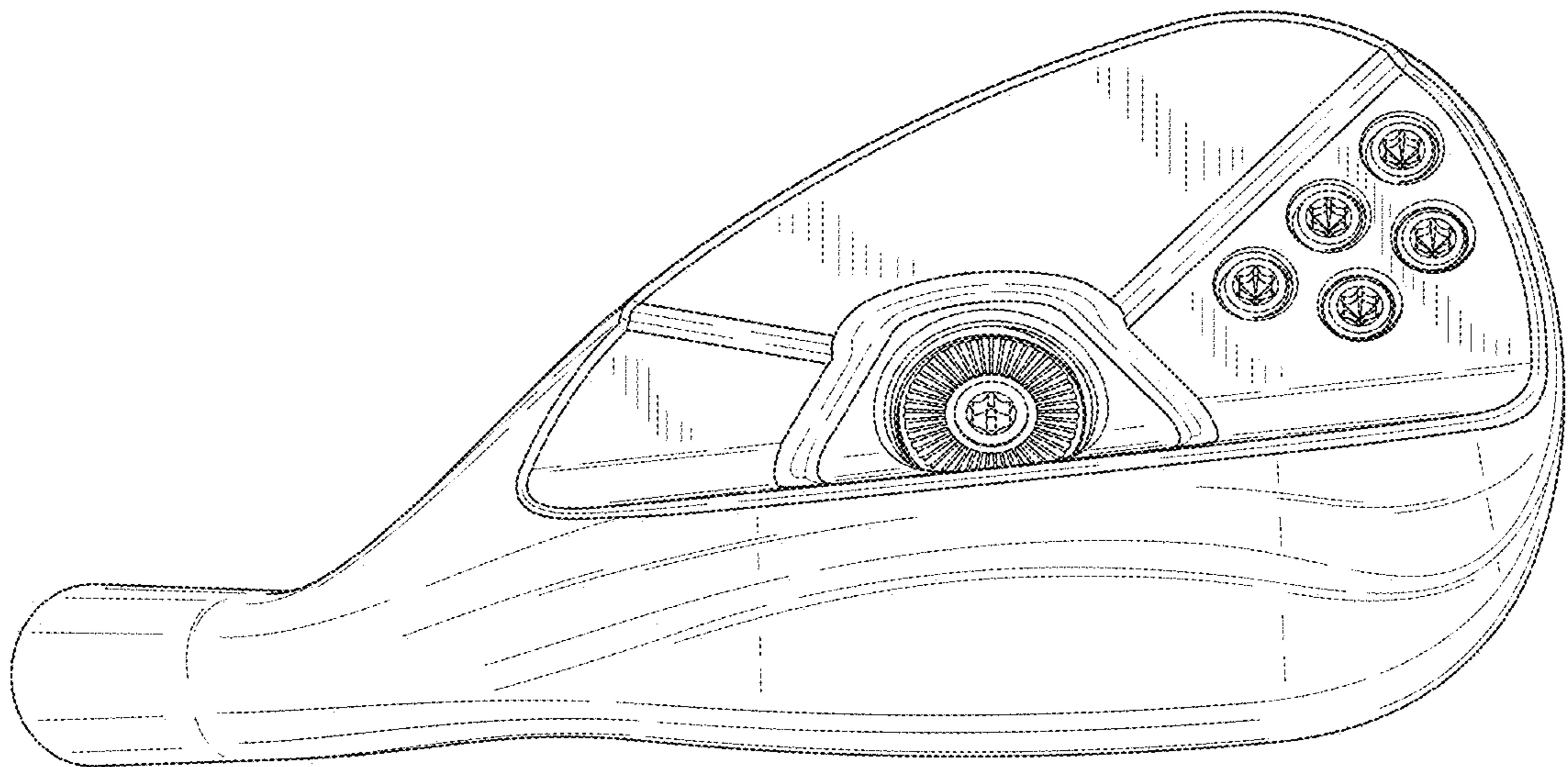


FIG. 6

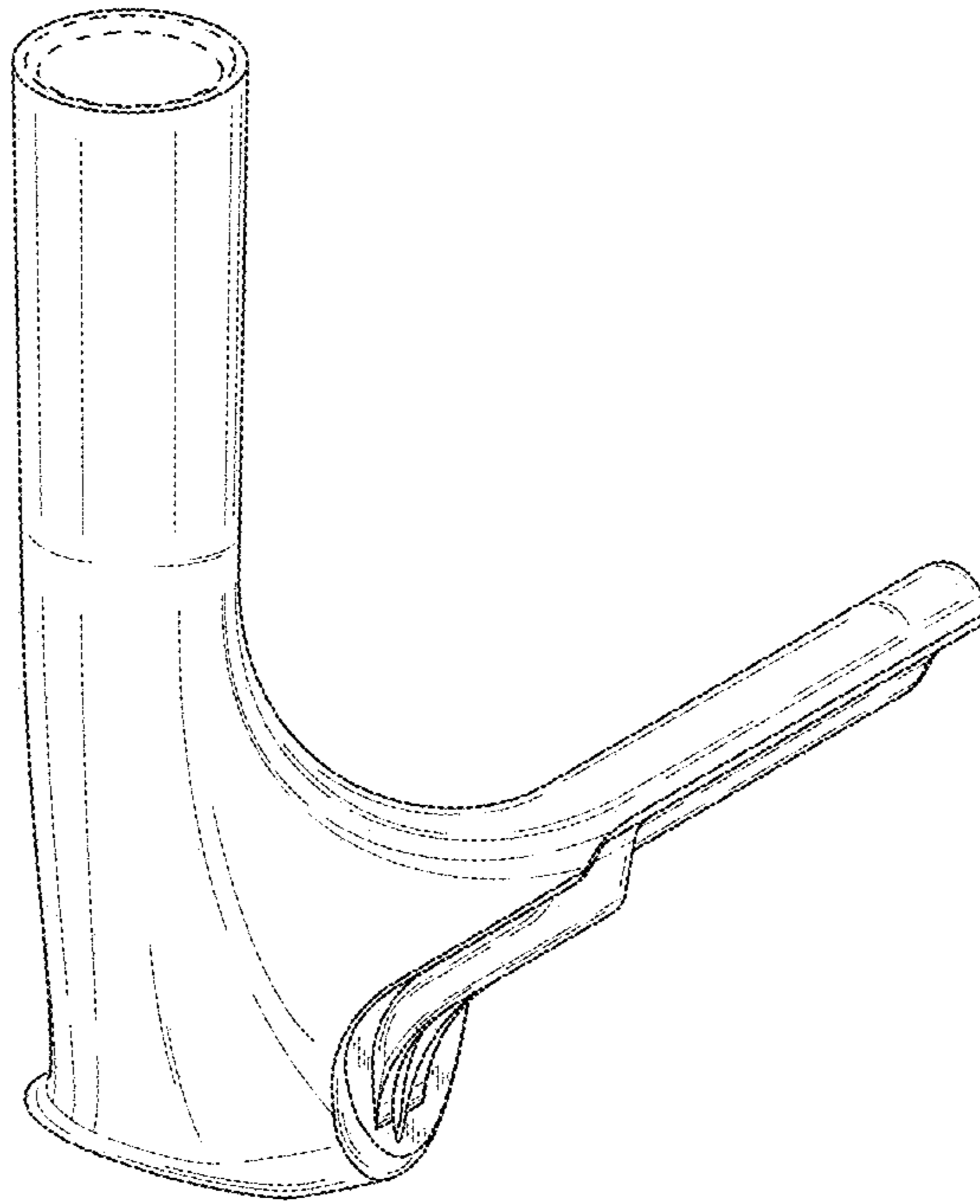


FIG. 7

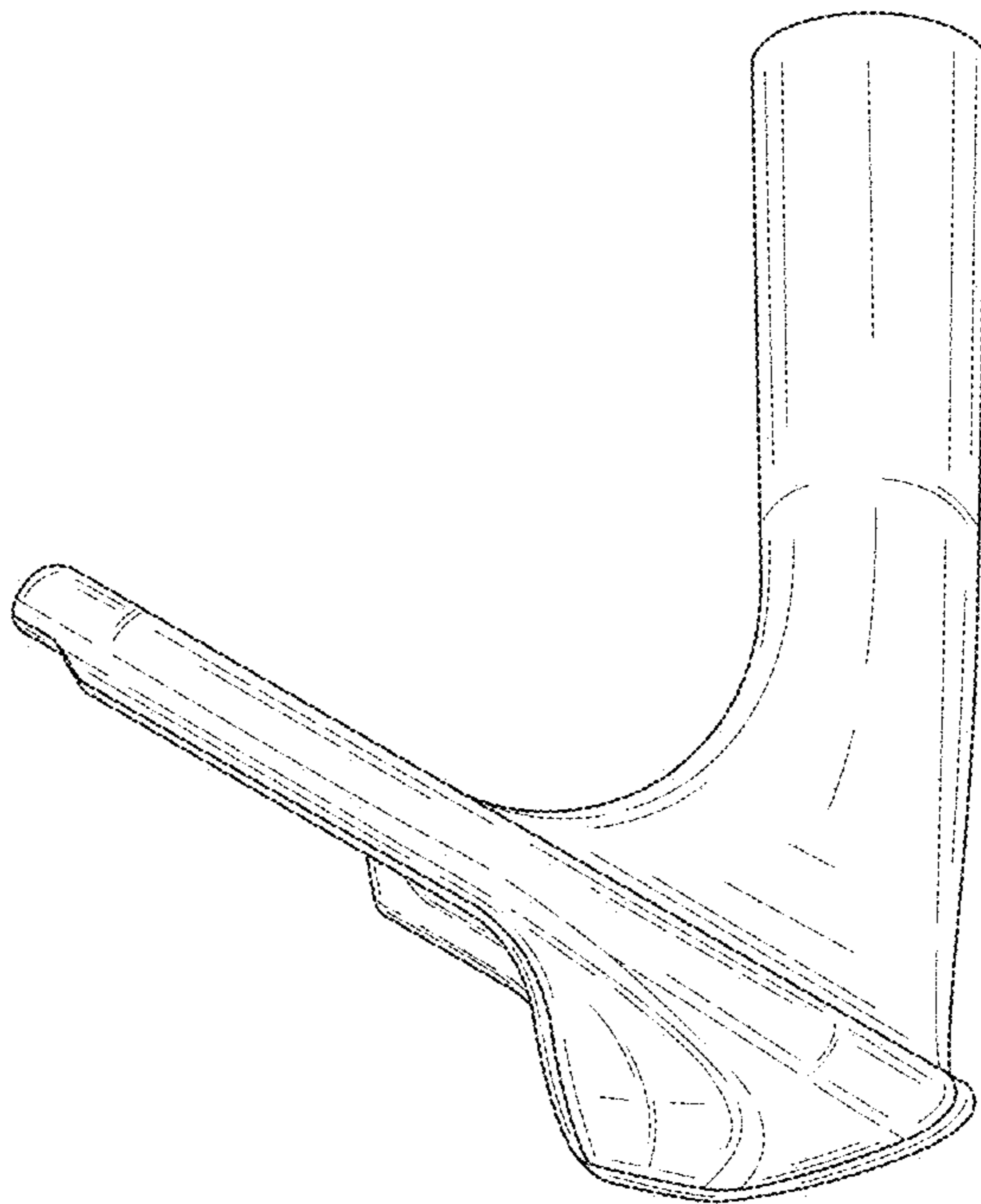


FIG. 8

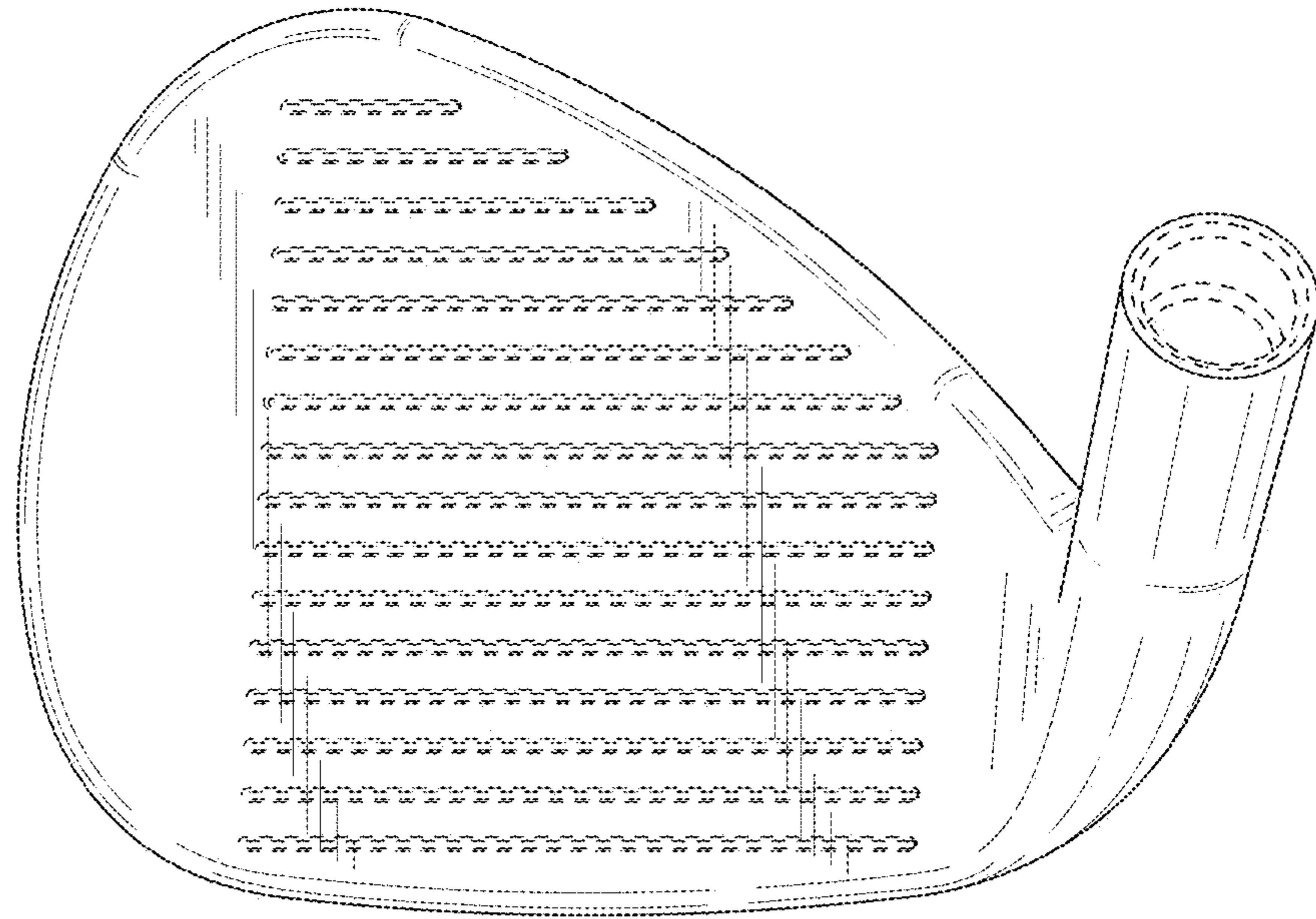


FIG. 9

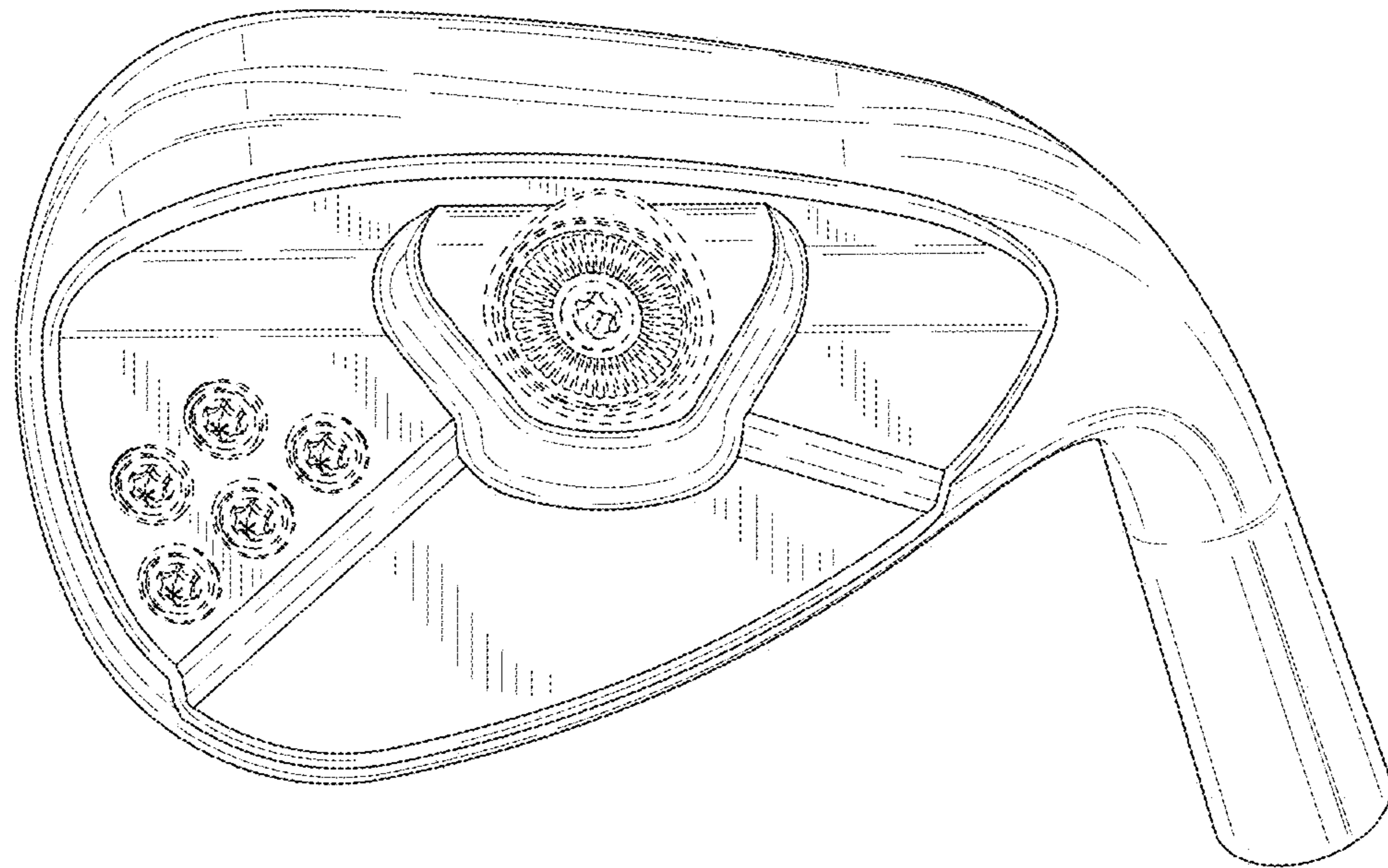


FIG. 10

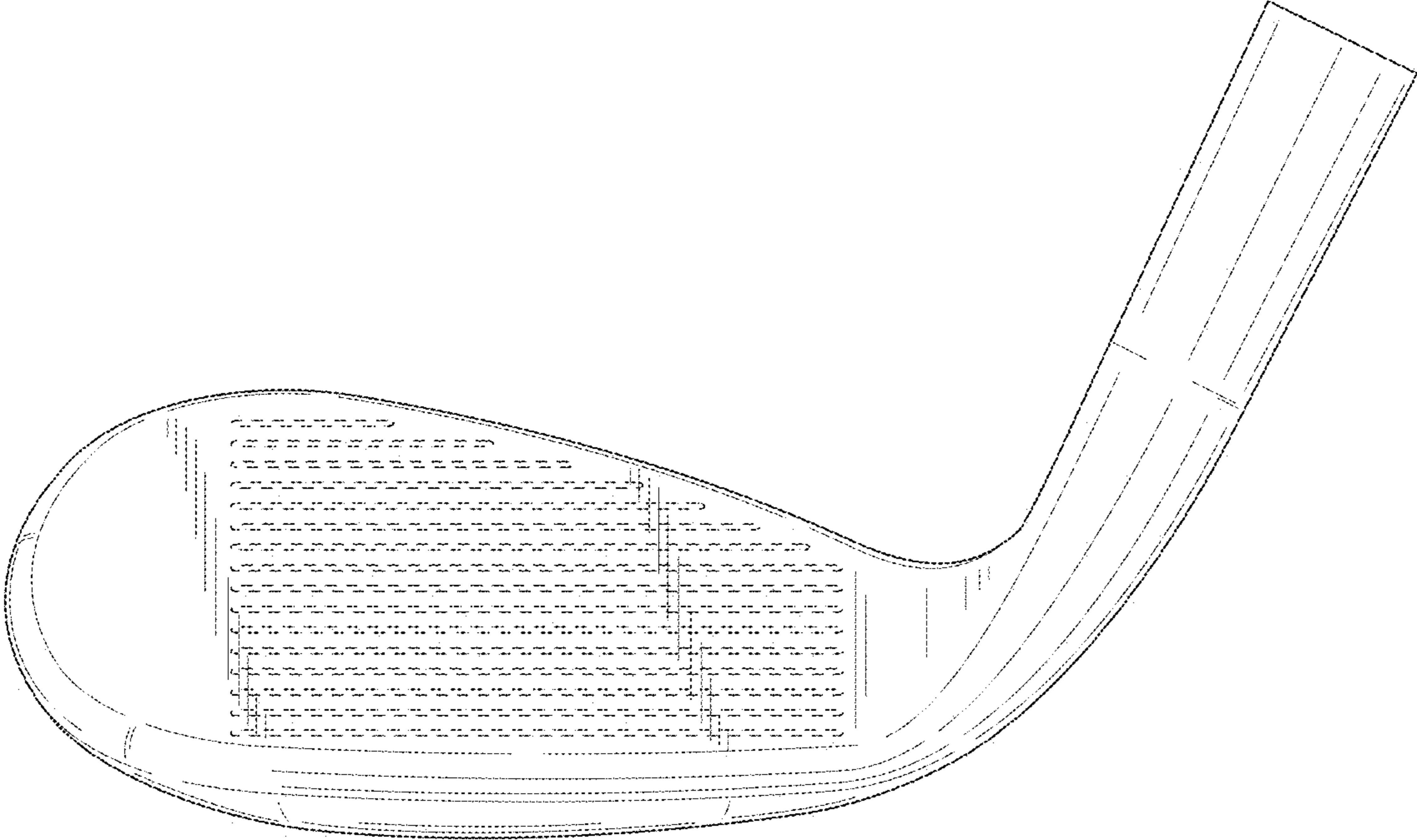


FIG. 11

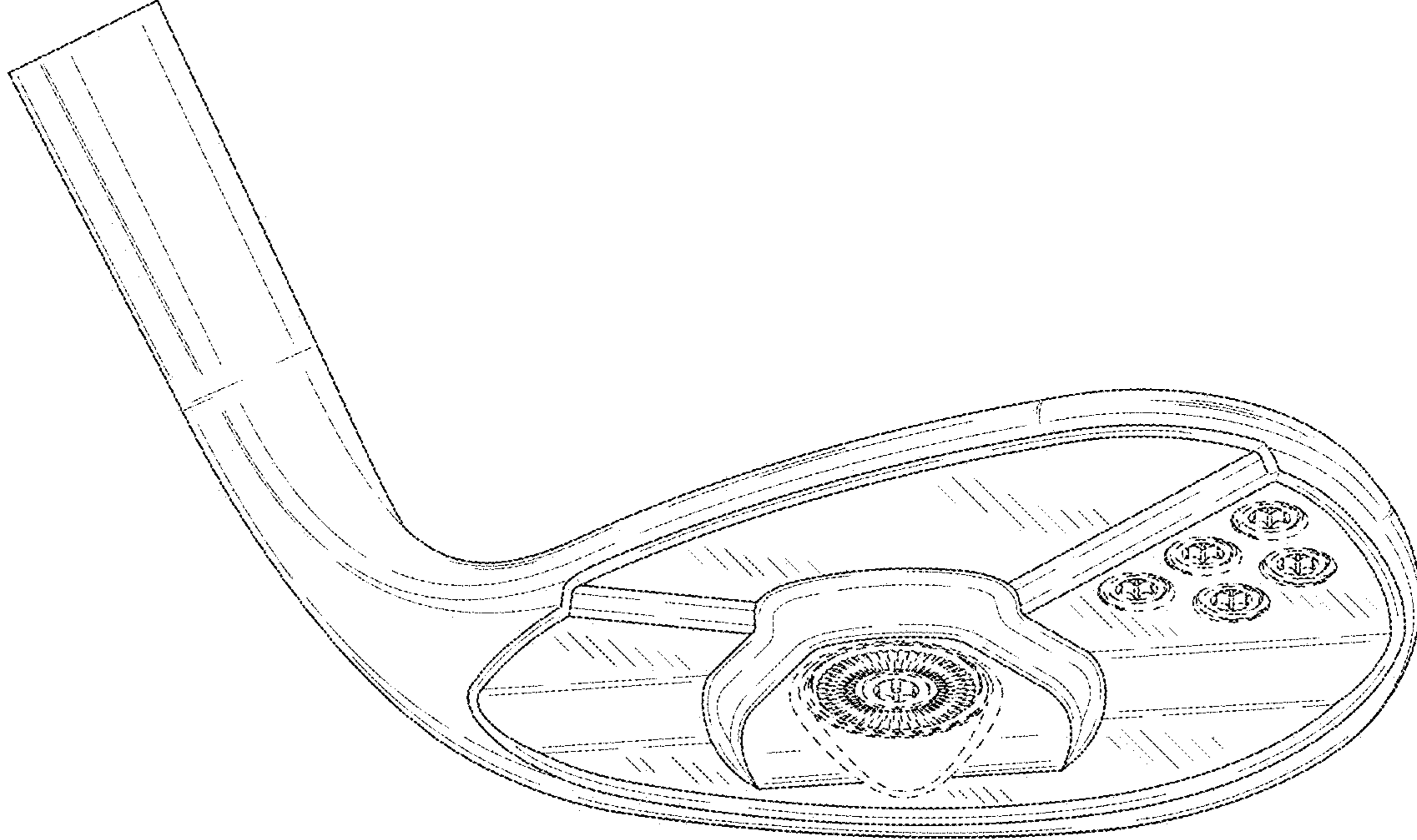


FIG. 12

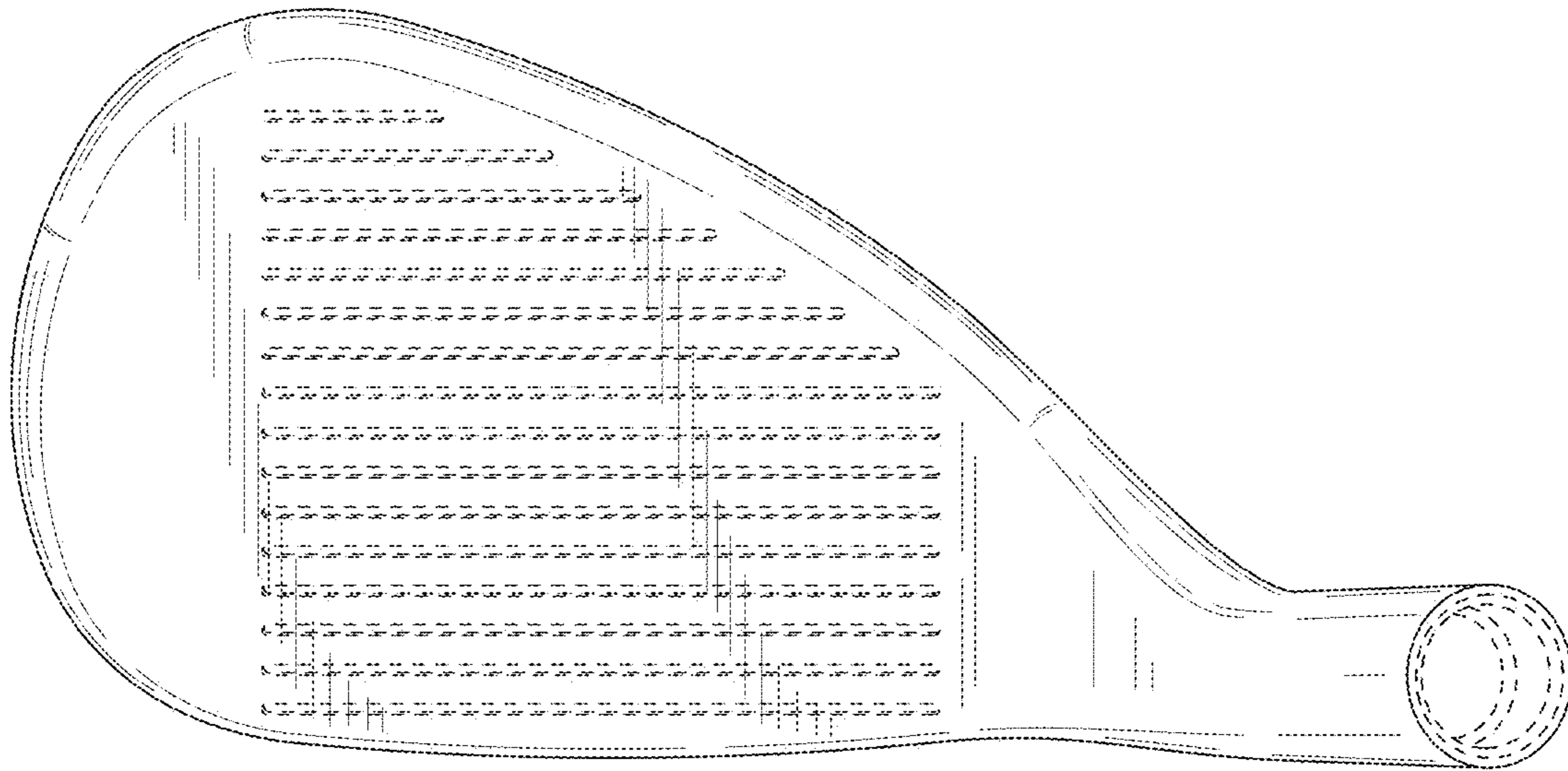


FIG. 13

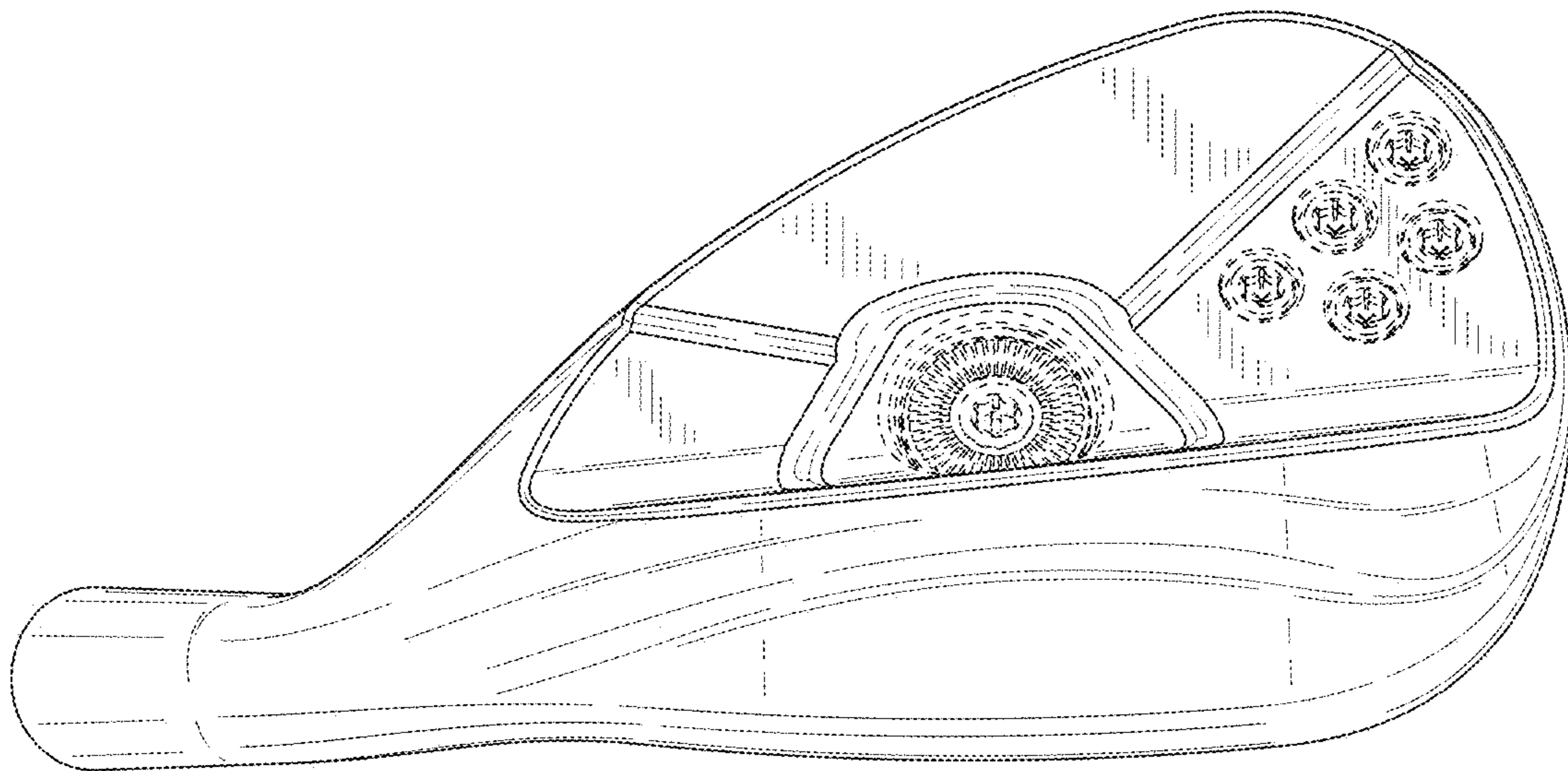


FIG. 14

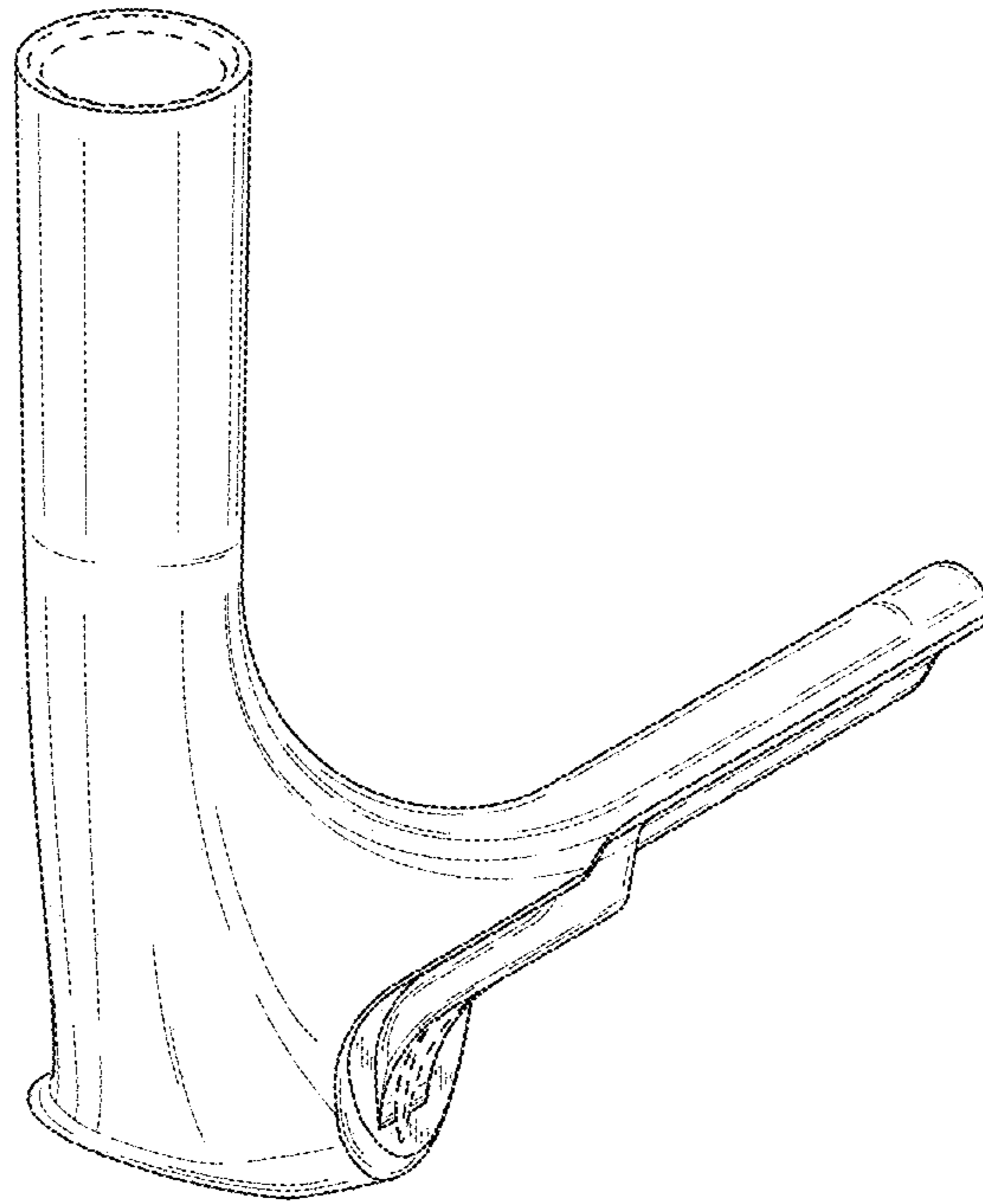


FIG. 15

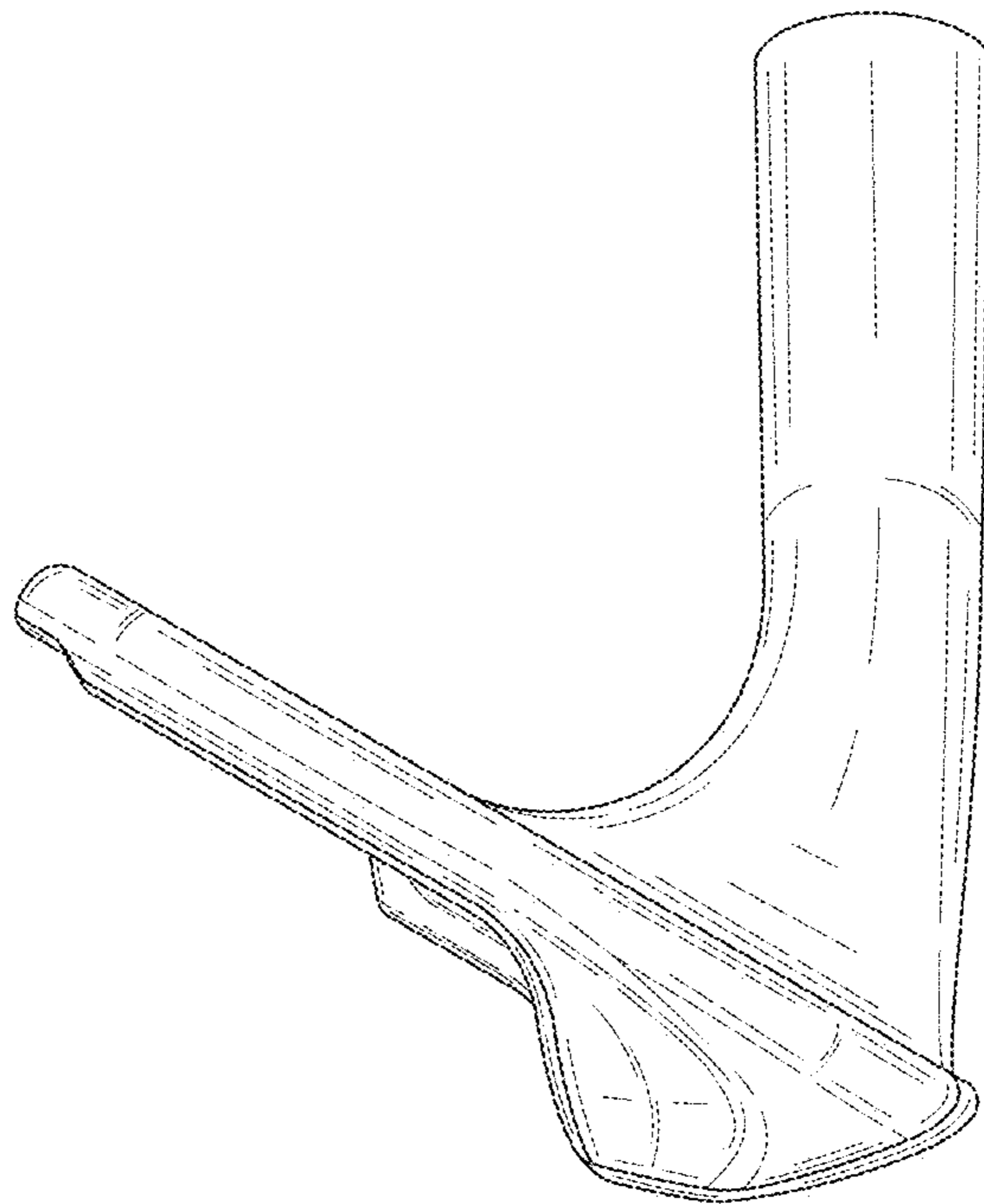


FIG. 16