



(12) **United States Design Patent**
King

(10) **Patent No.:** **US D940,260 S**
(45) **Date of Patent:** **** Jan. 4, 2022**

(54) **WEIGHT TRAINING BENCH ACCESSORY**

(71) Applicant: **Frederick King**, Peoria, AZ (US)

(72) Inventor: **Frederick King**, Peoria, AZ (US)

(**) Term: **15 Years**

(21) Appl. No.: **29/706,292**

(22) Filed: **Sep. 19, 2019**

(51) **LOC (13) Cl.** **21-02**

(52) **U.S. Cl.**
USPC **D21/694**; D21/686

(58) **Field of Classification Search**
USPC D8/9, 16–18, 21, 24–25, 27, 29, 60, 69,
D8/72, 73, 88, 94, 97, 308–310, 354;
D21/662, 682, 684, 686, 694
CPC B25F 1/003; B25F 1/00
See application file for complete search history.

(56) **References Cited**

U.S. PATENT DOCUMENTS

D737,385 S *	8/2015	Woniger	D21/671
D745,938 S *	12/2015	Joslin	A63B 21/4037
				D21/662
D815,701 S *	4/2018	Spencer	D21/686
D818,063 S *	5/2018	Barton	D21/694
D851,185 S *	6/2019	Laurin	D21/662
D875,856 S *	2/2020	Kruse	D21/694
D879,216 S *	3/2020	Dunahay	D21/686
D879,217 S *	3/2020	Dunahay	D21/686
D891,538 S *	7/2020	Laaksonen	D21/671
D898,842 S *	10/2020	Corley	D21/662
D908,818 S *	1/2021	Barton	D21/679
D913,384 S *	3/2021	Thiel	D21/686
D920,451 S *	5/2021	McGrotty	D21/686

OTHER PUBLICATIONS

“USPTO.reports” Aug. 4, 2020, site visited Sep. 22, 2021: <https://uspto.report/TM/90093007> (Year: 2020).*

* cited by examiner

Primary Examiner — Michael C Stout
Assistant Examiner — Melvin L Davis
(74) *Attorney, Agent, or Firm* — Adam R. Stephenson, Ltd.

(57) **CLAIM**

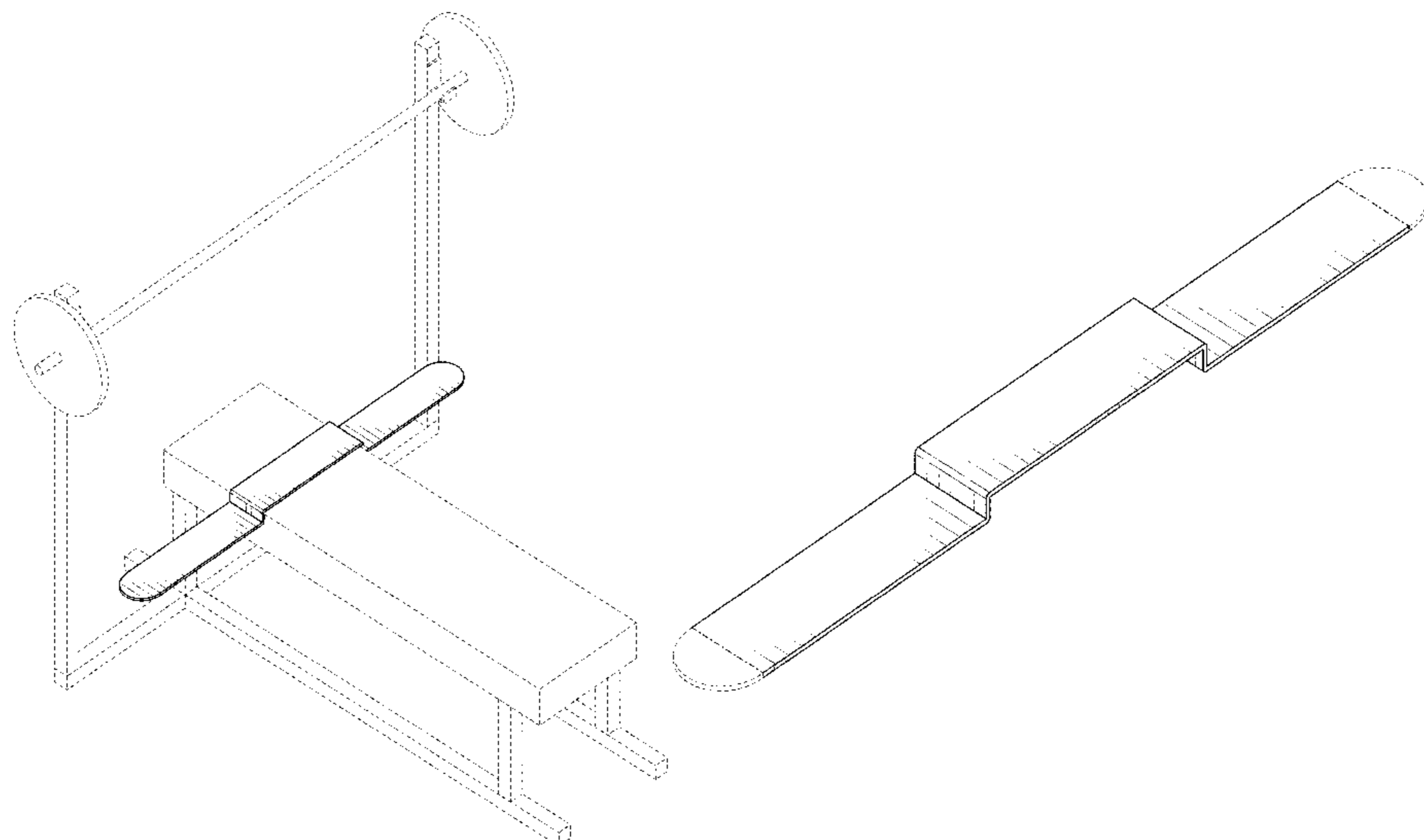
The ornamental design for a weight training bench accessory, as shown and described.

DESCRIPTION

FIG. 1 is a top, front perspective view of a weight training bench accessory;
FIG. 2 is front view thereof, the rear view being a mirror image;
FIG. 3 is a right side view thereof, the left side being a mirror image;
FIG. 4 is a top view thereof;
FIG. 5 is a bottom view thereof;
FIG. 6 is a top, front perspective view of the weight training bench accessory of FIG. 1 placed over a weight training bench;
FIG. 7 is a top, front perspective view of another implementation of a weight training bench accessory;
FIG. 8 is front view thereof, the rear view being a mirror image;
FIG. 9 is a right side view thereof, the left side being a mirror image;
FIG. 10 is a top view thereof;
FIG. 11 is a bottom view thereof; and,
FIG. 12 is a top, front perspective view of the weight training bench accessory of FIG. 7 placed over a weight training bench.

The broken line showing of the weight training bench accessory is for the purpose of illustrating portions of the article that forms no part of the claimed design. The broken lines forming a weight bench in FIGS. 6 and 12 are directed to environment and do not form part of the claimed design. The dot-dash boundary line demarcates the boundary of the claimed areas.

1 Claim, 6 Drawing Sheets



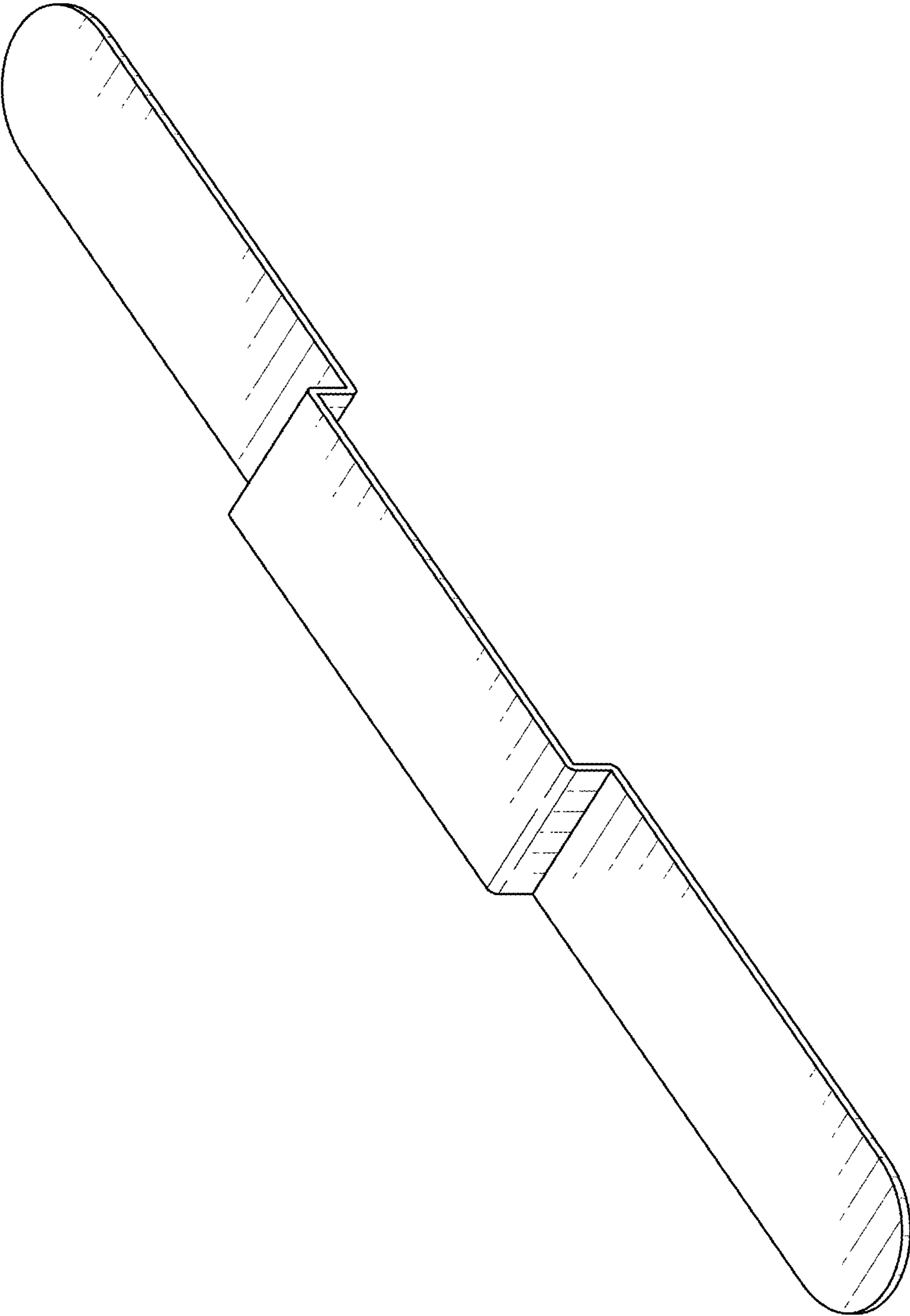


FIG. 1

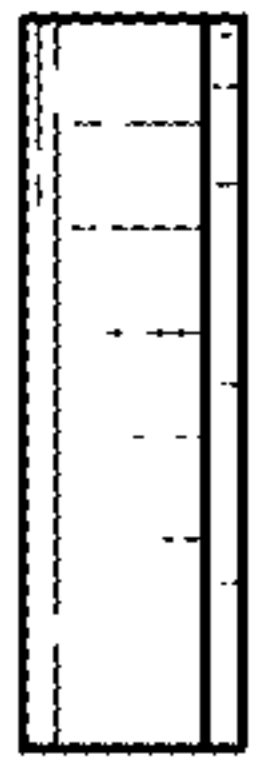


FIG. 2

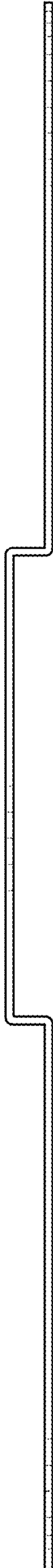


FIG. 3

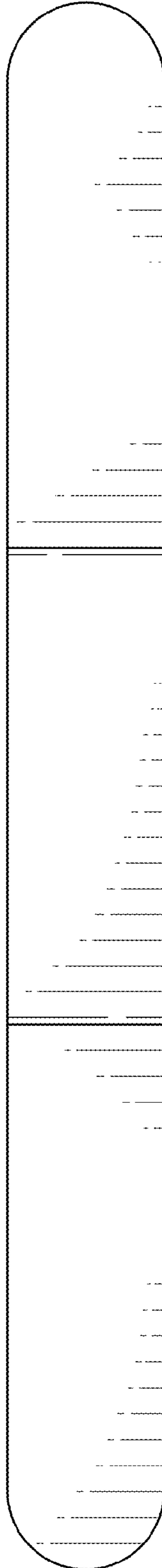


FIG. 4

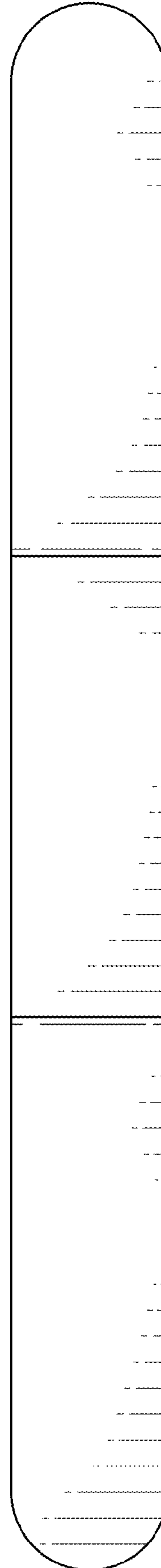


FIG. 5

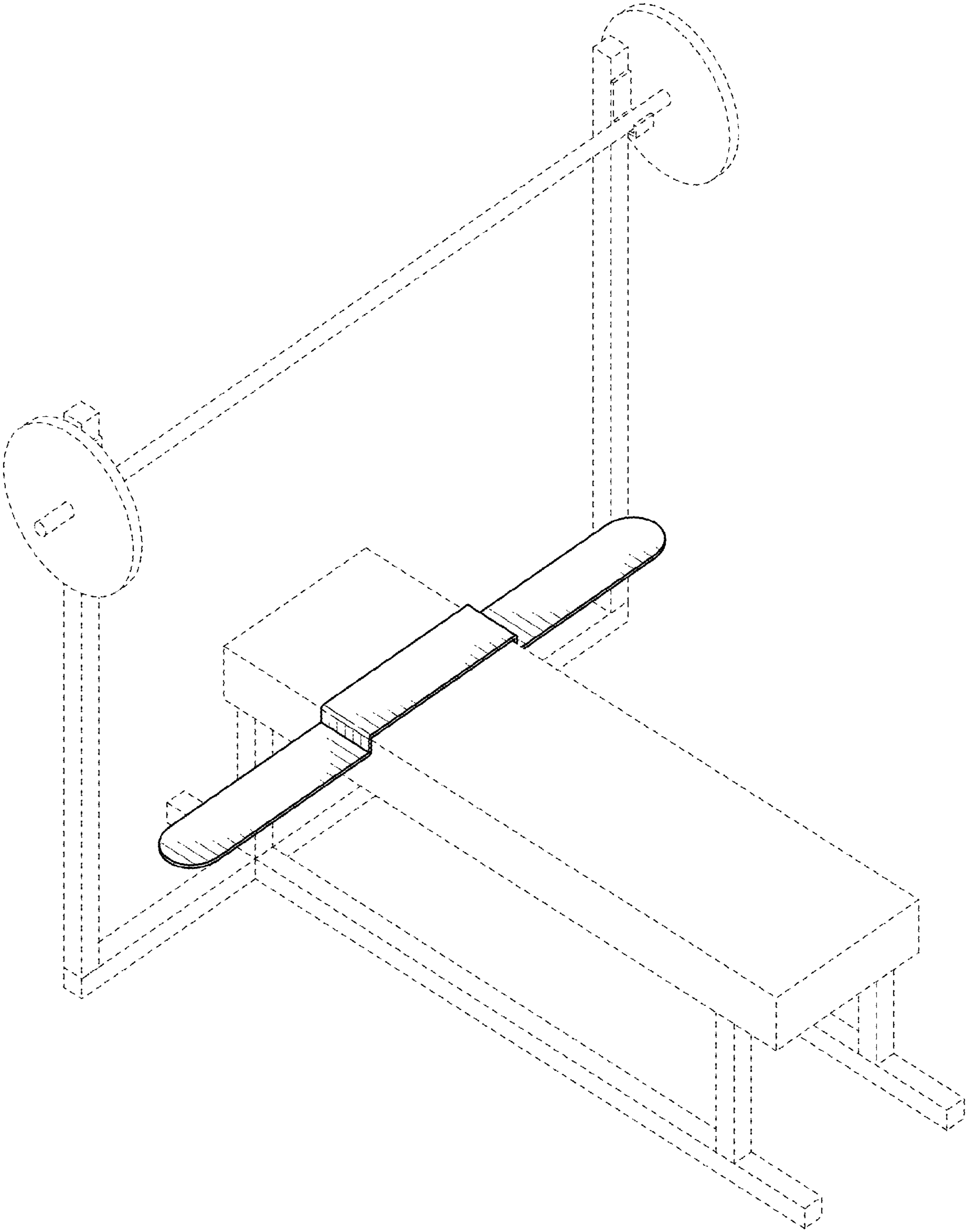


FIG. 6

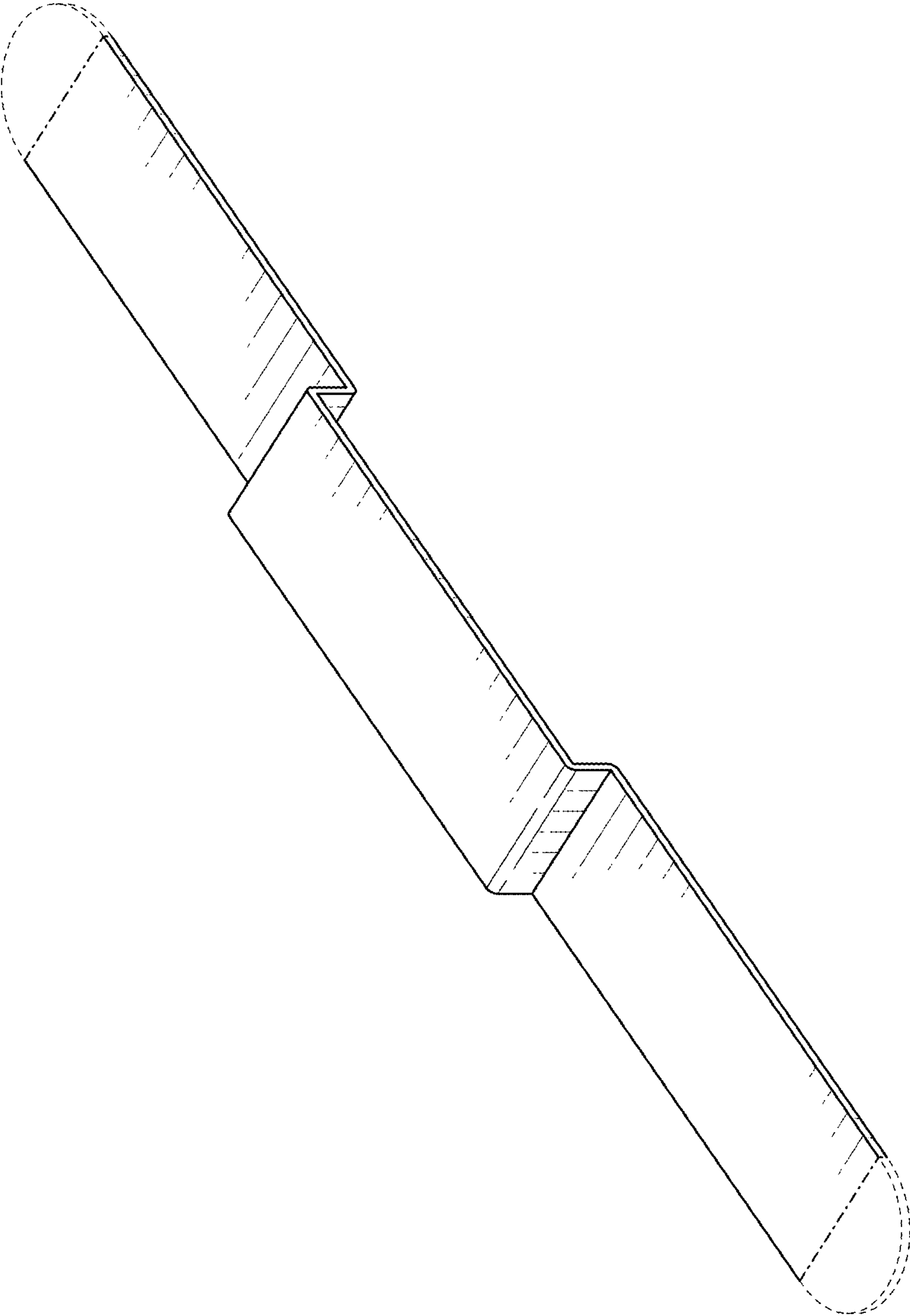


FIG. 7



FIG. 8

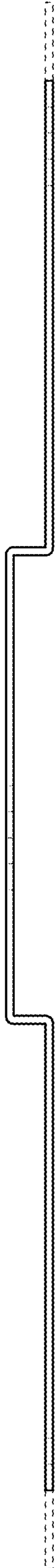


FIG. 9

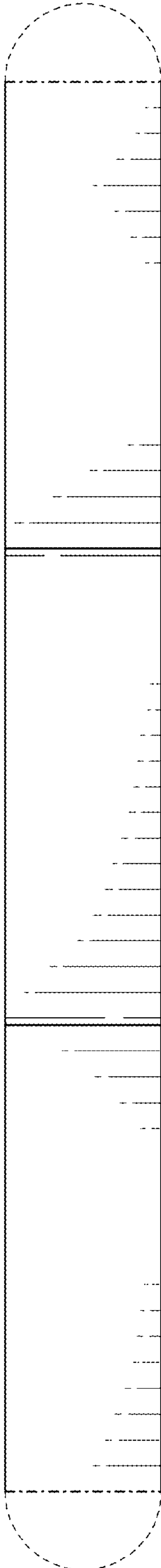


FIG. 10



FIG. 11

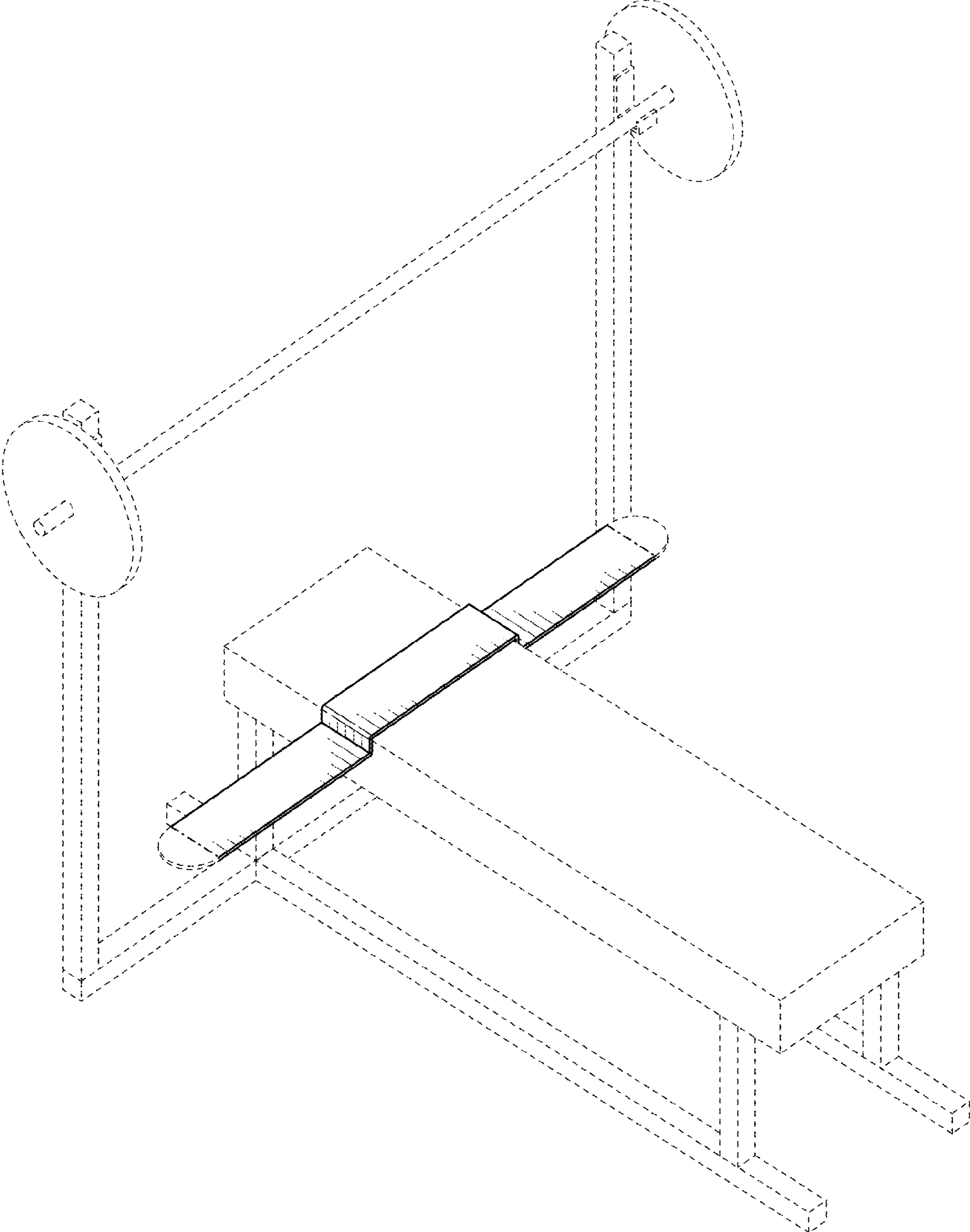


FIG. 12