



US00D940259S

(12) **United States Design Patent** (10) **Patent No.:** **US D940,259 S**
Maute (45) **Date of Patent:** **** Jan. 4, 2022**

(54) **HIGH PERFORMANCE BALANCE**

(71) Applicant: **Mettler-Toledo GmbH**, Greifensee (CH)

(72) Inventor: **Manuel Maute**, Albstadt (DE)

(73) Assignee: **Mettler-Toledo GmbH**, Greifensee (CH)

(**) Term: **15 Years**

(21) Appl. No.: **29/756,204**

(22) Filed: **Oct. 27, 2020**

(30) **Foreign Application Priority Data**

Apr. 28, 2020 (EM) 007841770-0001
Apr. 28, 2020 (EM) 007841770-0002

(51) **LOC (13) Cl.** **21-02**

(52) **U.S. Cl.**
USPC **D21/686**

(58) **Field of Classification Search**
USPC D21/671, 685, 686, 670, 349, 350, 689,
D21/688; D25/102, 112, 113, 119, 65;
D14/240, 388, 371; D9/414, 422, 430,
D9/435, 432, 456

See application file for complete search history.

(56) **References Cited**

U.S. PATENT DOCUMENTS

D399,631 S * 10/1998 Campbell D34/38
D445,554 S * 7/2001 Blason D34/38
D459,050 S * 6/2002 Meyer D34/38
D511,034 S * 10/2005 Milles D34/38
D554,825 S * 11/2007 Lux, Jr. D34/38
D590,123 S * 4/2009 Hermans D34/38
D600,874 S * 9/2009 Hermans D34/38

(Continued)

OTHER PUBLICATIONS

FoxValleytraders, announced 2016[online], [site visited Nov. 1, 2021]. Available on internet, URL:https://www.amazon.com/Fox-Valley-Traders-Step-Non-Slip-Foldable/dp/B01FG9K0RC/ref (Year: 2016).*

Primary Examiner — Khawaja Anwar

Assistant Examiner — Julice Seung Eun Oum

(74) *Attorney, Agent, or Firm* — Standley Law Group LLP; Jeffrey S. Standley; Stephen L. Grant

(57) **CLAIM**

The ornamental design for a high performance balance, as shown and described.

DESCRIPTION

FIG. 1 is a top right perspective view of the high performance balance;

FIG. 2 is a front elevation view thereof;

FIG. 3 is a rear elevation view thereof;

FIG. 4 is a left side elevation view thereof;

FIG. 5 is a right side elevation view thereof;

FIG. 6 is a top plan view thereof;

FIG. 7 is a bottom plan view thereof;

FIG. 8 is a top right perspective view of a second embodiment of the high performance balance;

FIG. 9 is a top right perspective view of a third embodiment of the high performance balance showing the top plate;

FIG. 10 is a front elevation view thereof;

FIG. 11 is a rear elevation view thereof;

FIG. 12 is a left side elevation view thereof;

FIG. 13 is a right side elevation view thereof;

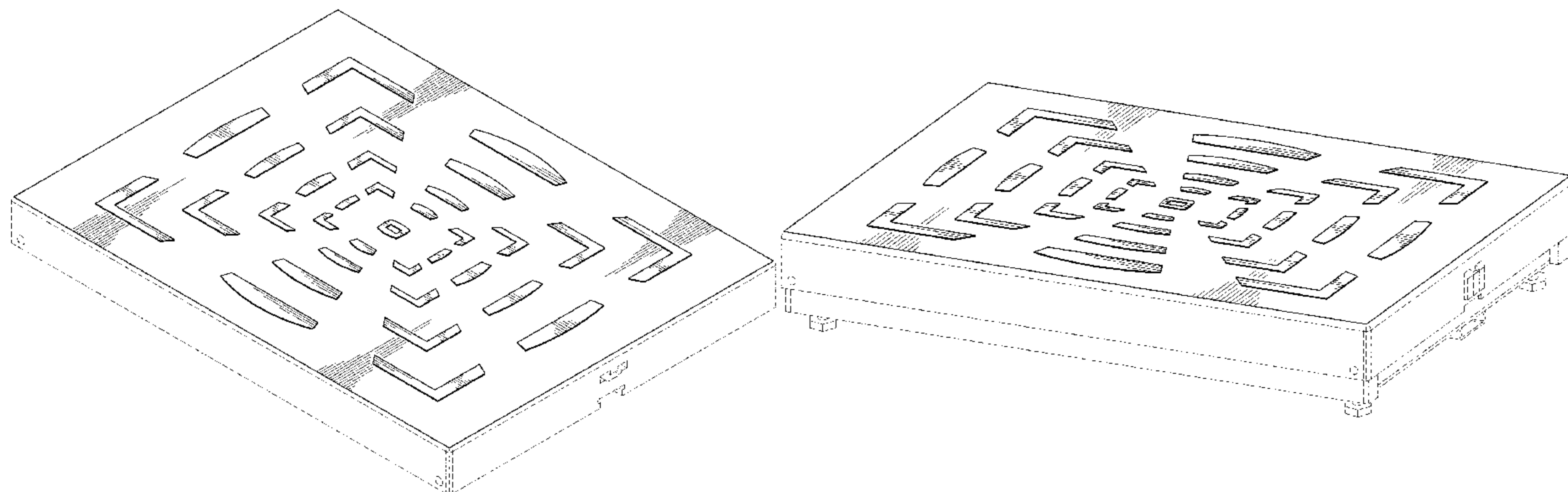
FIG. 14 is a top plan view thereof;

FIG. 15 is a bottom plan view thereof; and,

FIG. 16 is a top right perspective view of a fourth embodiment of the high performance balance.

The broken lines depict portions of the high performance balance that form no part of the claimed design.

1 Claim, 12 Drawing Sheets



(56)

References Cited

U.S. PATENT DOCUMENTS

D633,273 S * 2/2011 Kellerer D34/38
D647,685 S * 10/2011 Atkins D34/38
D650,023 S * 12/2011 Everett D21/686
D673,754 S * 1/2013 MacDonald D34/38
D730,456 S * 5/2015 Mahoney D21/671
D776,767 S * 1/2017 Randleman D21/686
D925,159 S * 7/2021 Furunes D34/38
D930,318 S * 9/2021 Cohen D34/38
D932,729 S * 10/2021 Raucoules D34/38
2021/0187375 A1 * 6/2021 Postel A63B 71/0622

* cited by examiner

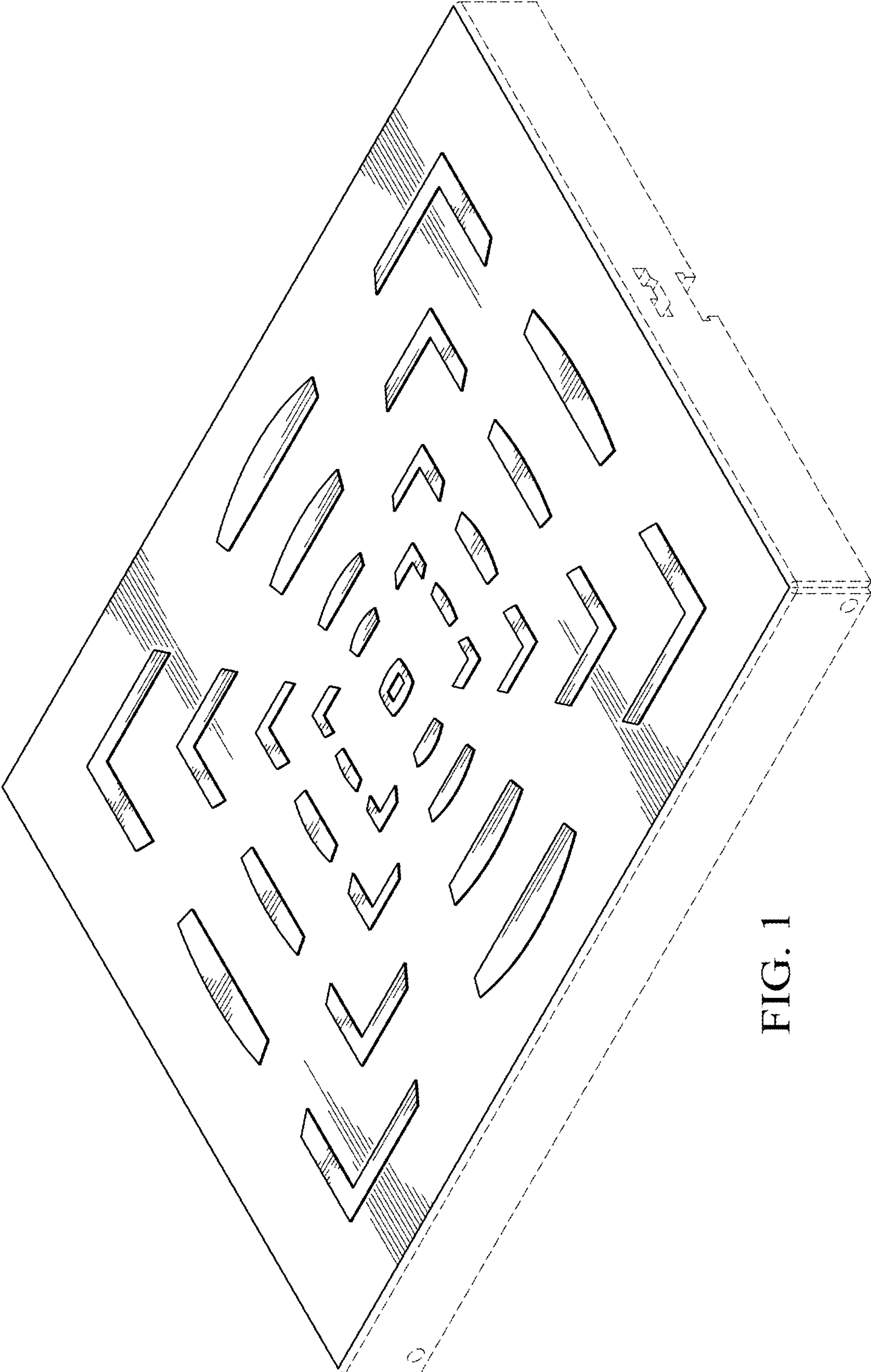


FIG. 1



FIG. 2

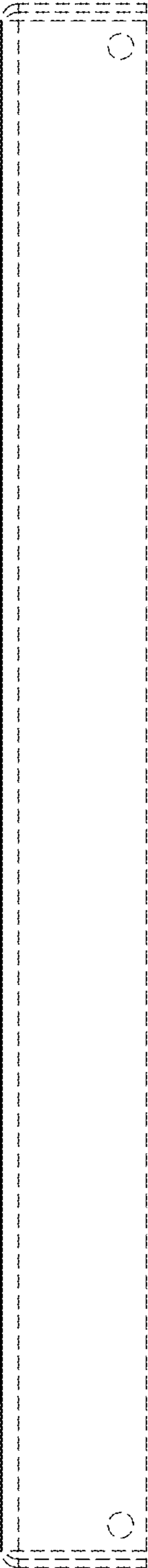


FIG. 3

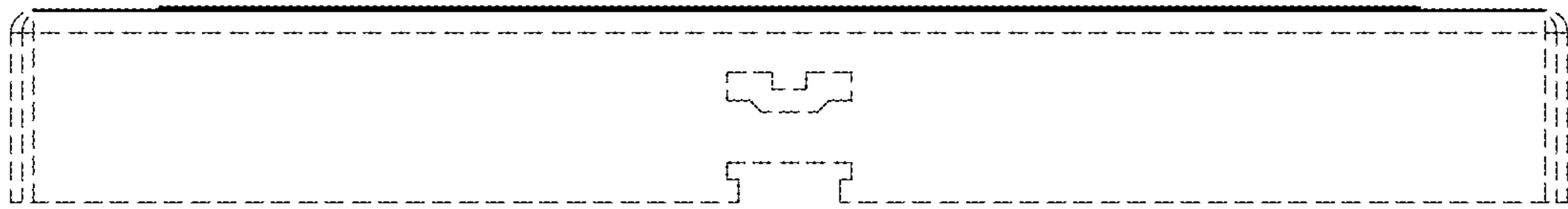


FIG. 4

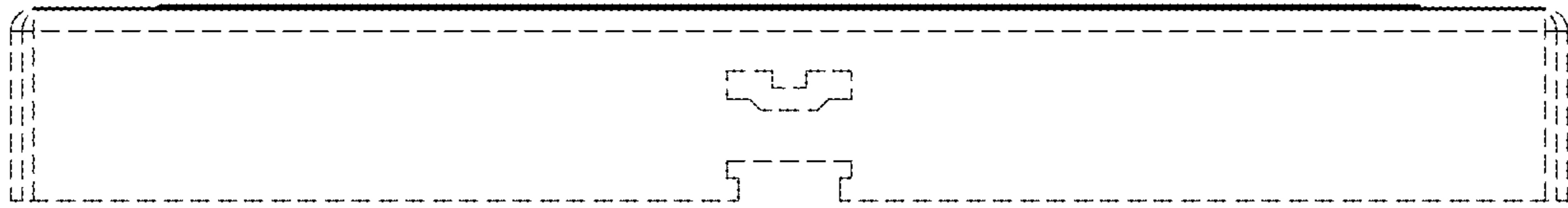


FIG. 5

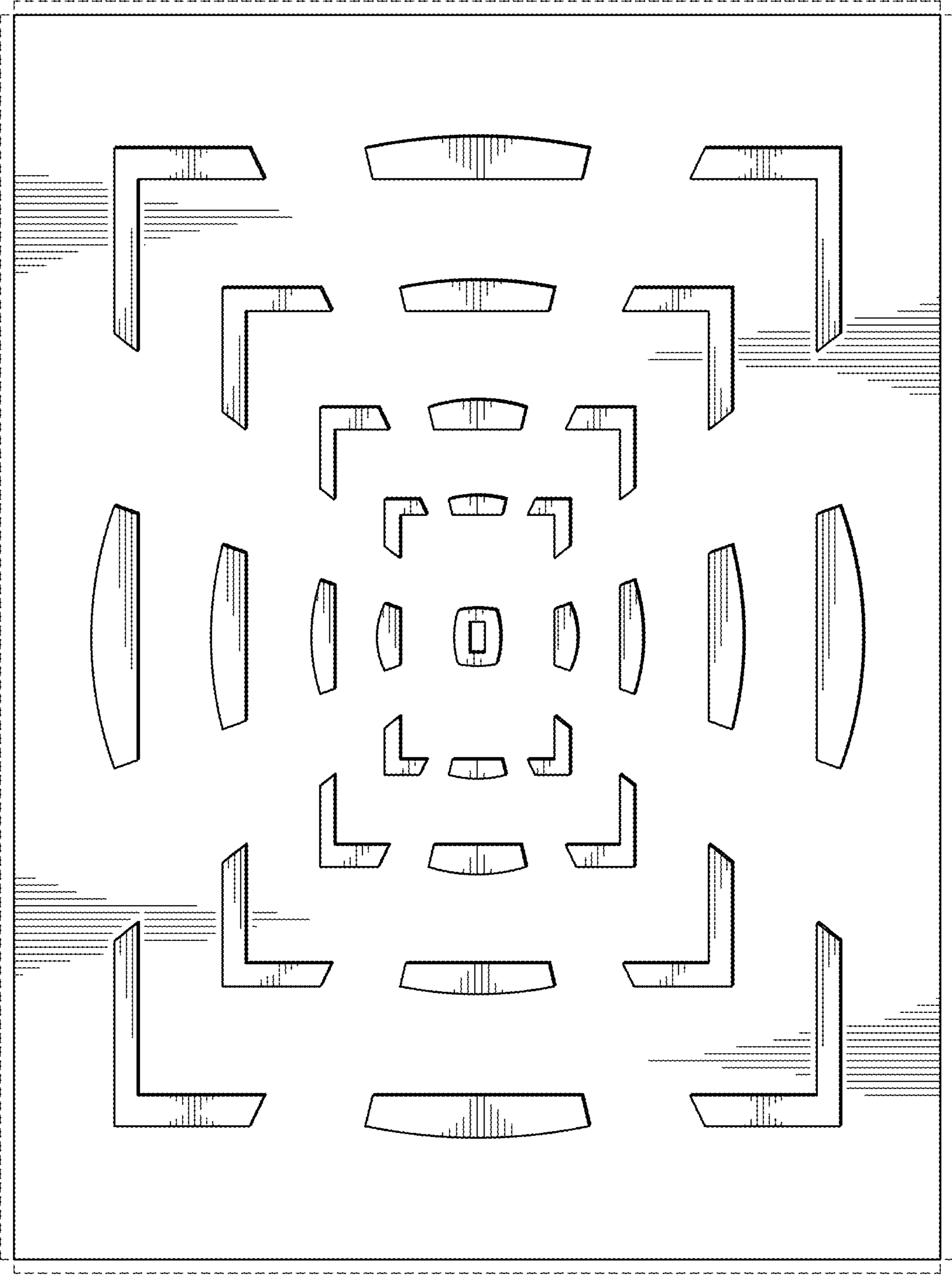


FIG. 6

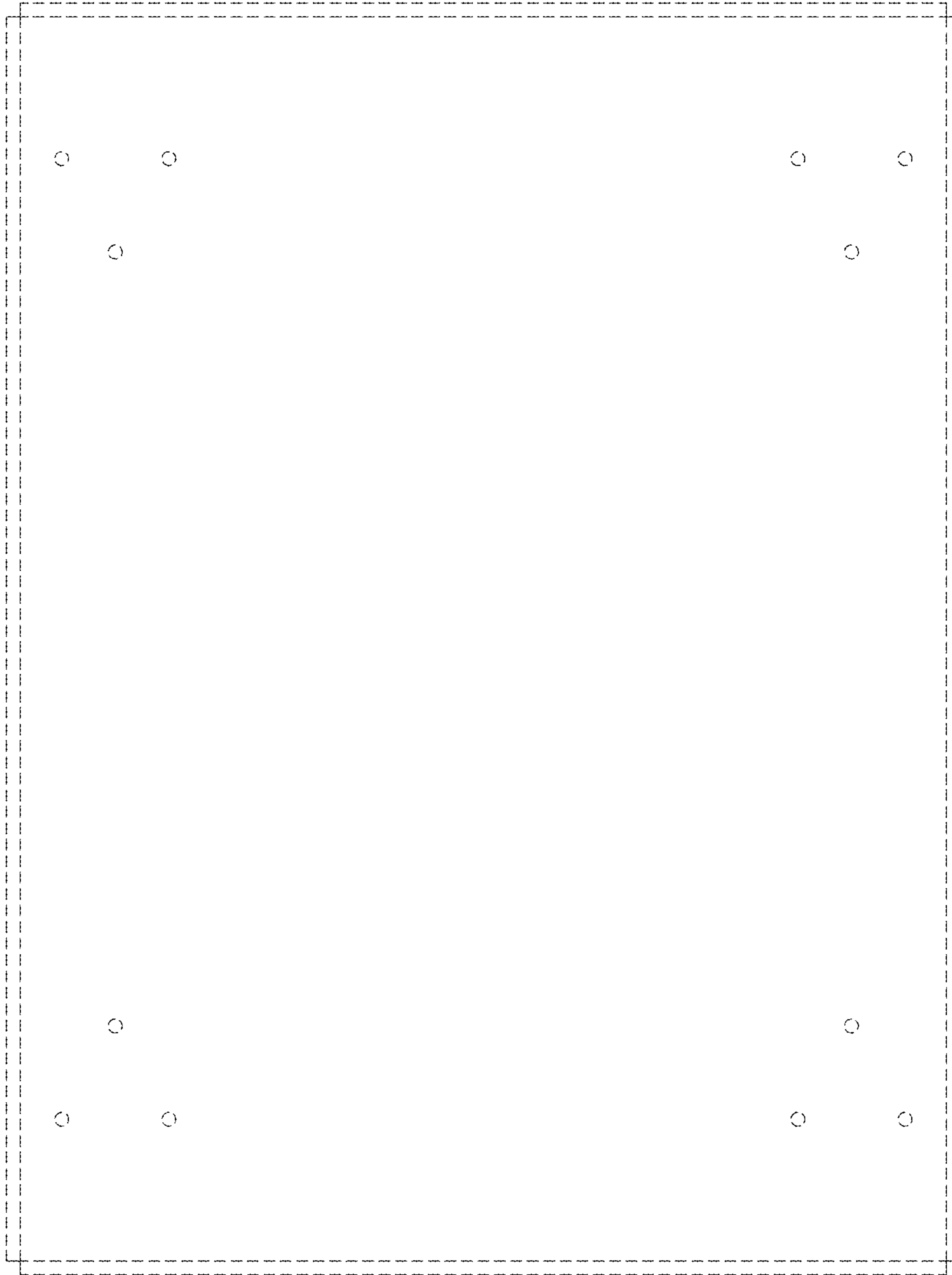


FIG. 7

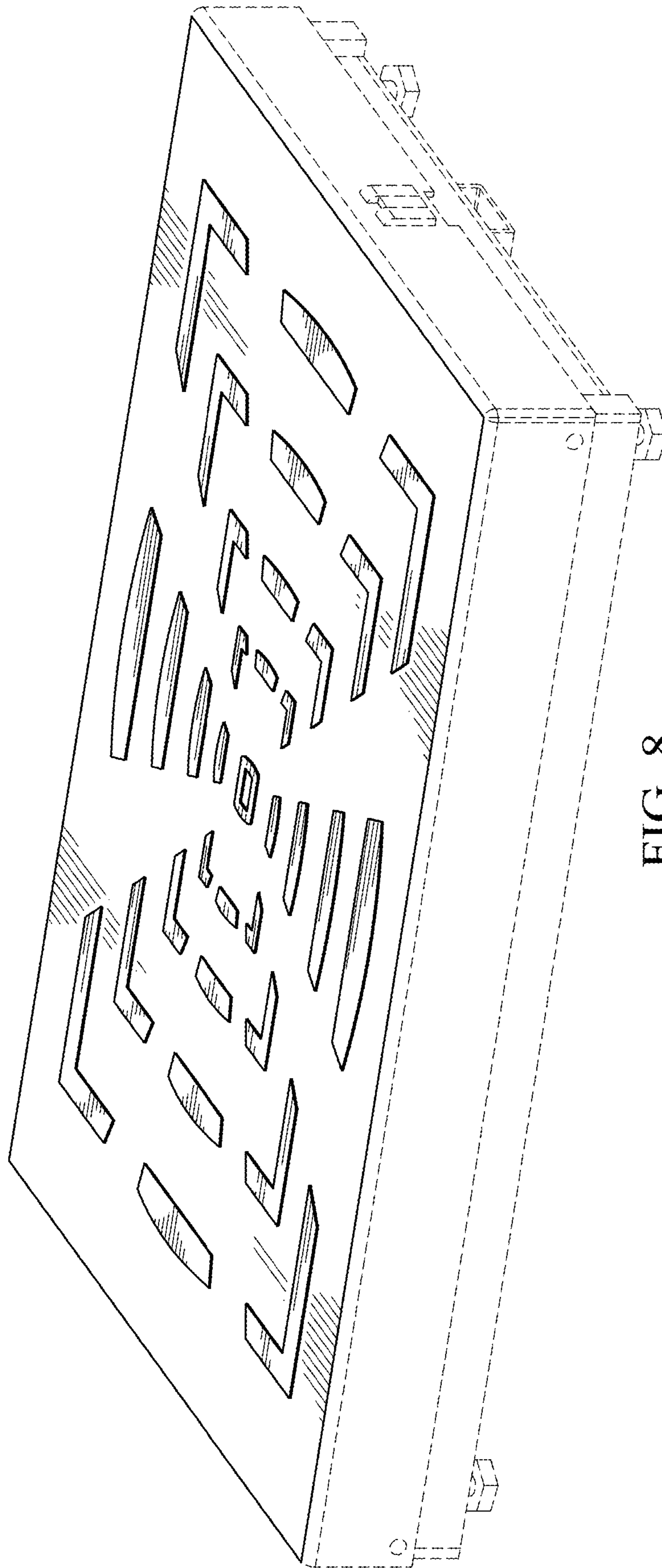


FIG. 8

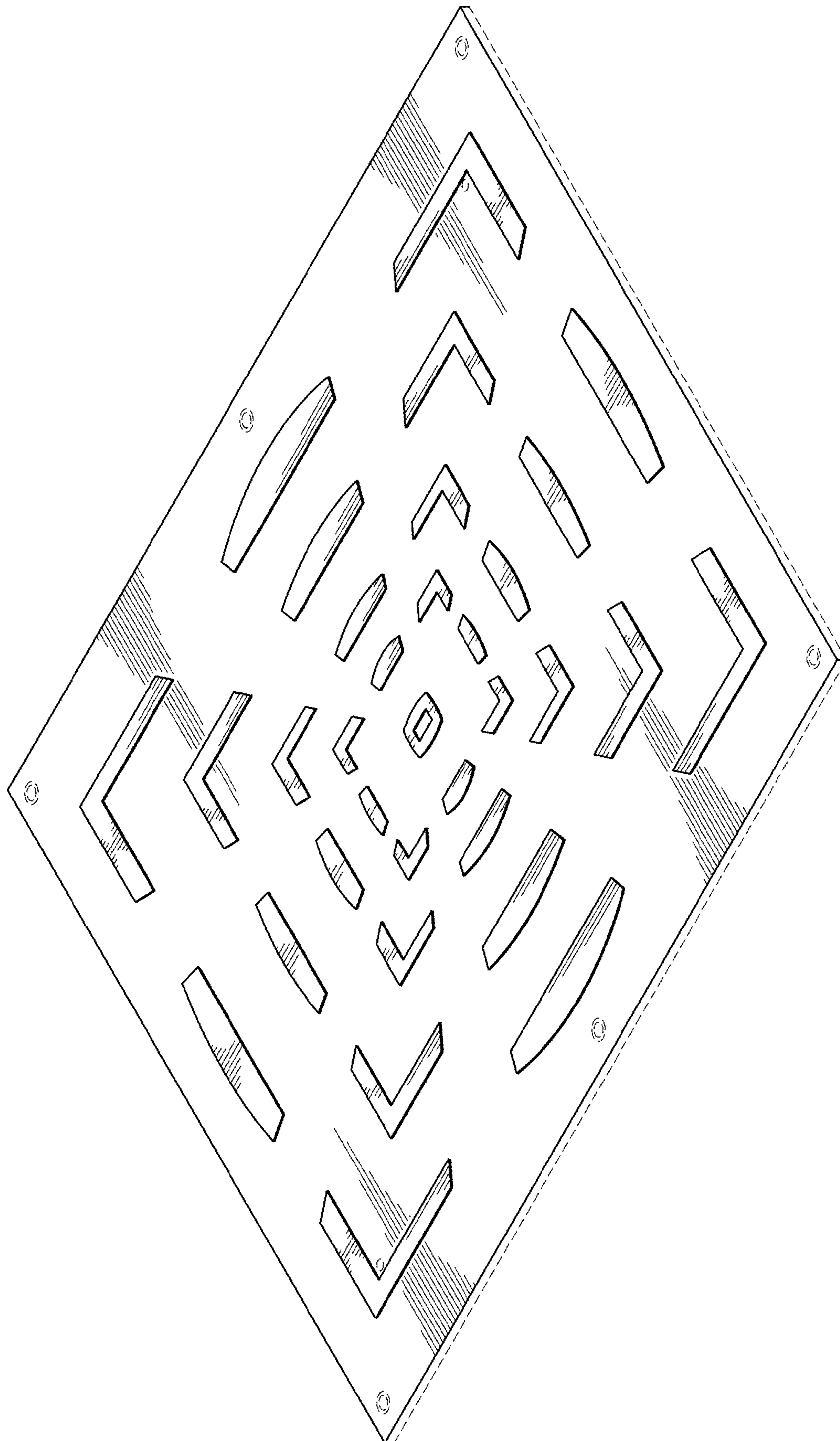


FIG. 9



FIG. 10



FIG. 11



FIG. 12



FIG. 13

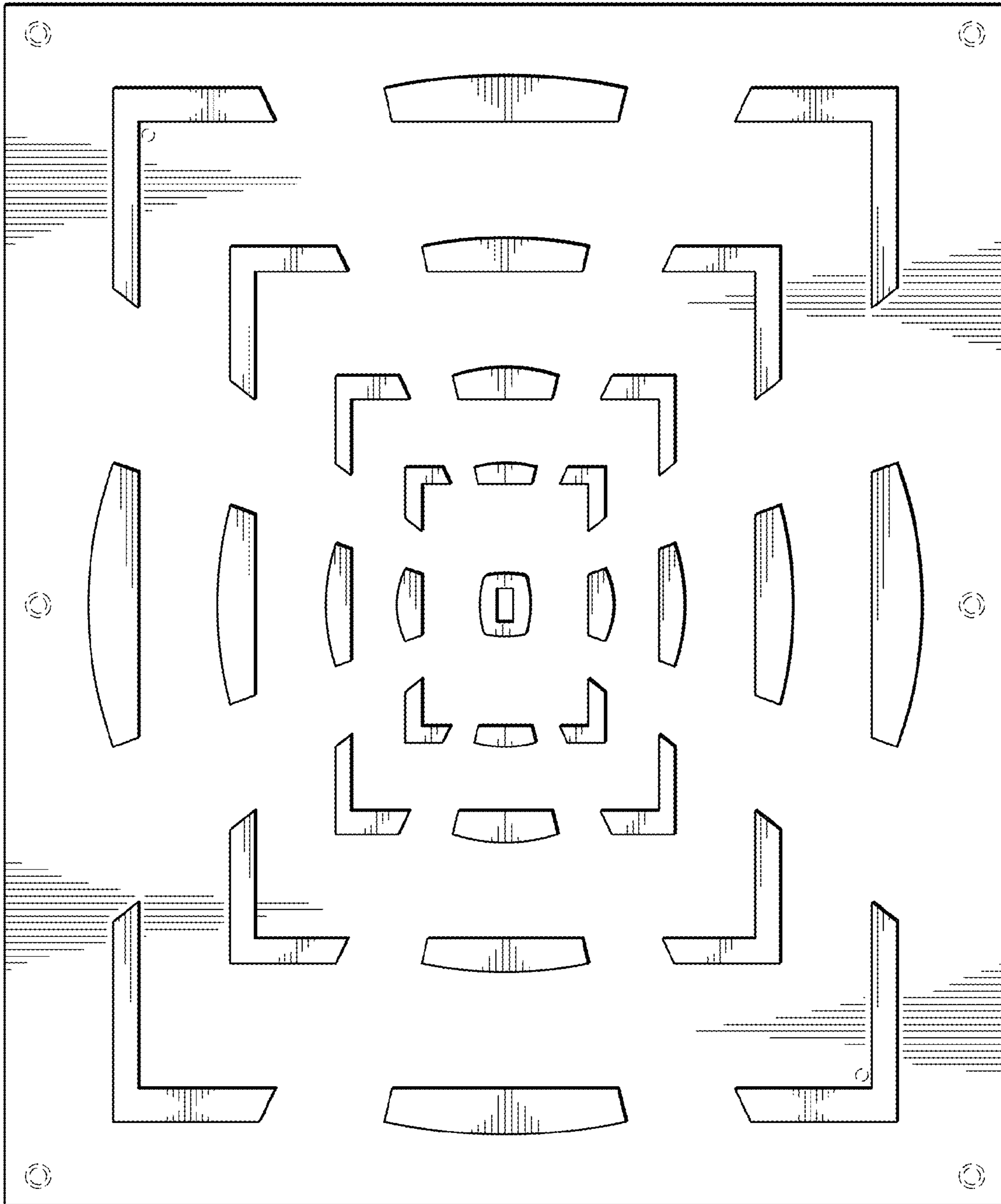


FIG. 14

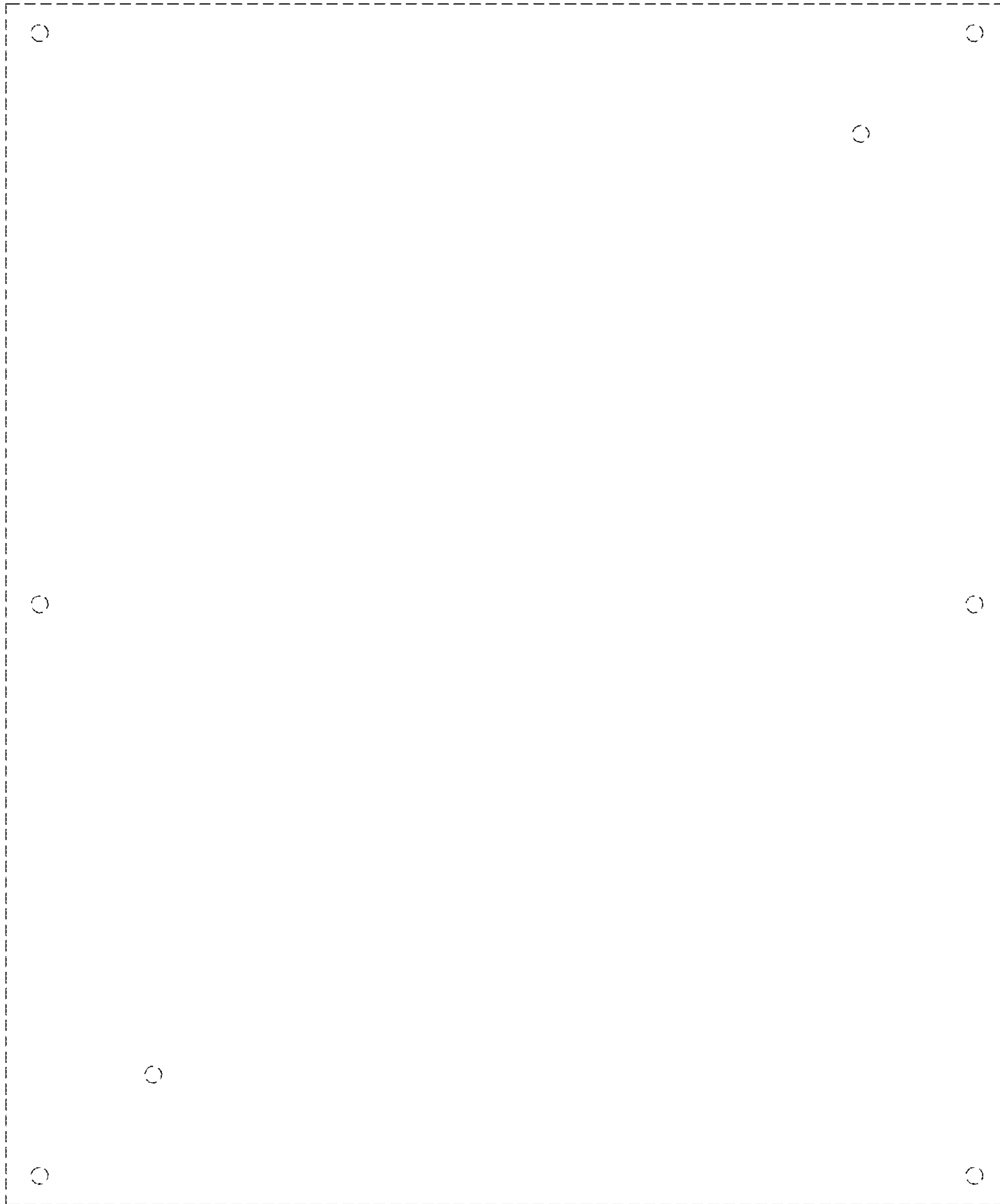


FIG. 15

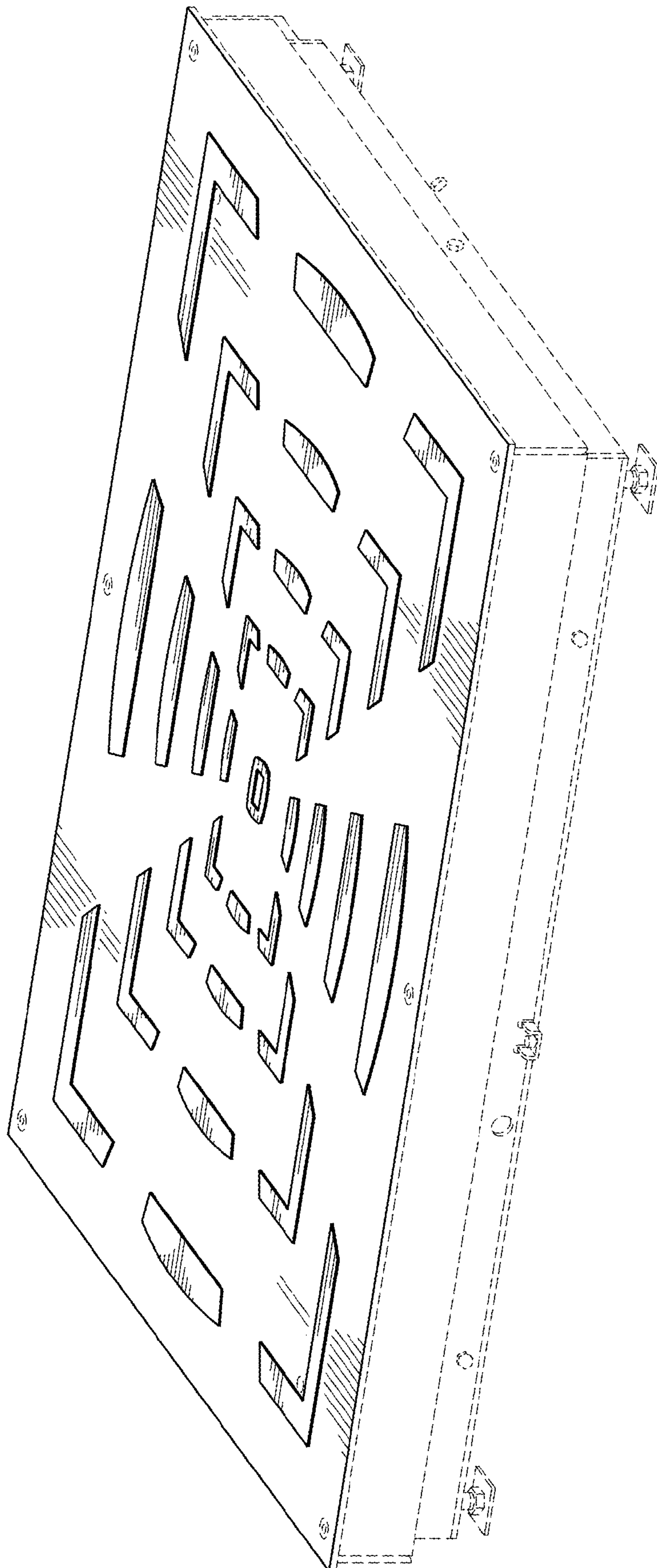


FIG. 16