



US00D940258S

(12) **United States Design Patent** (10) **Patent No.:** **US D940,258 S**
Morris (45) **Date of Patent:** **** Jan. 4, 2022**

(54) **EXERCISE BLOCK**

(74) *Attorney, Agent, or Firm* — Conneely PC; Joseph Conneely

(71) Applicant: **LULULEMON ATHLETICA CANADA INC.**, Vancouver (CA)

(57) **CLAIM**

(72) Inventor: **Stephen Morris**, Vancouver (CA)

The ornamental design for an exercise block, as shown and described.

(73) Assignee: **LULULEMON ATHLETICA CANADA INC.**, Vancouver (CA)

DESCRIPTION

(**) Term: **15 Years**

FIG. 1 is a front view of an exercise block according to a first embodiment of the design;

(21) Appl. No.: **29/720,606**

FIG. 2 is a rear view thereof;

(22) Filed: **Jan. 14, 2020**

FIG. 3 is a right side view thereof;

(51) **LOC (13) Cl.** **21-02**

FIG. 4 is a left side view thereof;

(52) **U.S. Cl.**

FIG. 5 is a top view thereof;

USPC **D21/686**

FIG. 6 is a bottom view thereof;

(58) **Field of Classification Search**

USPC D21/686, 682, 694, 662, 665, 673, 690,
D21/691, 798, 826, 676, 681, 680, 688,

FIG. 7 is a right side perspective view thereof;

(Continued)

FIG. 8 is a left side perspective view thereof;

(56) **References Cited**

U.S. PATENT DOCUMENTS

D24,861 S * 11/1895 Bioren D8/402
1,542,138 A * 6/1925 Hunter A47B 13/086
108/27

FIG. 9 is a right side view thereof shown in an environment of use;

(Continued)

FIG. 10 is a rear view thereof shown in an environment of use;

OTHER PUBLICATIONS

Ellas homes store protectors, announced 2018 [online], [site visited May 11, 2021]. Available on internet, URL:https://www.amazon.com/Skyla-Homes-Protectors-Resistant-Furniture/dp/B0758CXS85/ref=sr_1_73?dchild=1&keywords=rounded+corner+edge&qid=1620764002&sr=8-73 (Year: 2018).*

FIG. 11 is a front view of an exercise block according to a second embodiment of the design;

(Continued)

FIG. 12 is a rear view thereof;

Primary Examiner — Khawaja Anwar

Assistant Examiner — Julice Seung Eun Oum

FIG. 13 is a right side view thereof;

FIG. 14 is a left side view thereof;

FIG. 15 is a top view thereof;

FIG. 16 is a bottom view thereof;

FIG. 17 is a right side perspective view thereof;

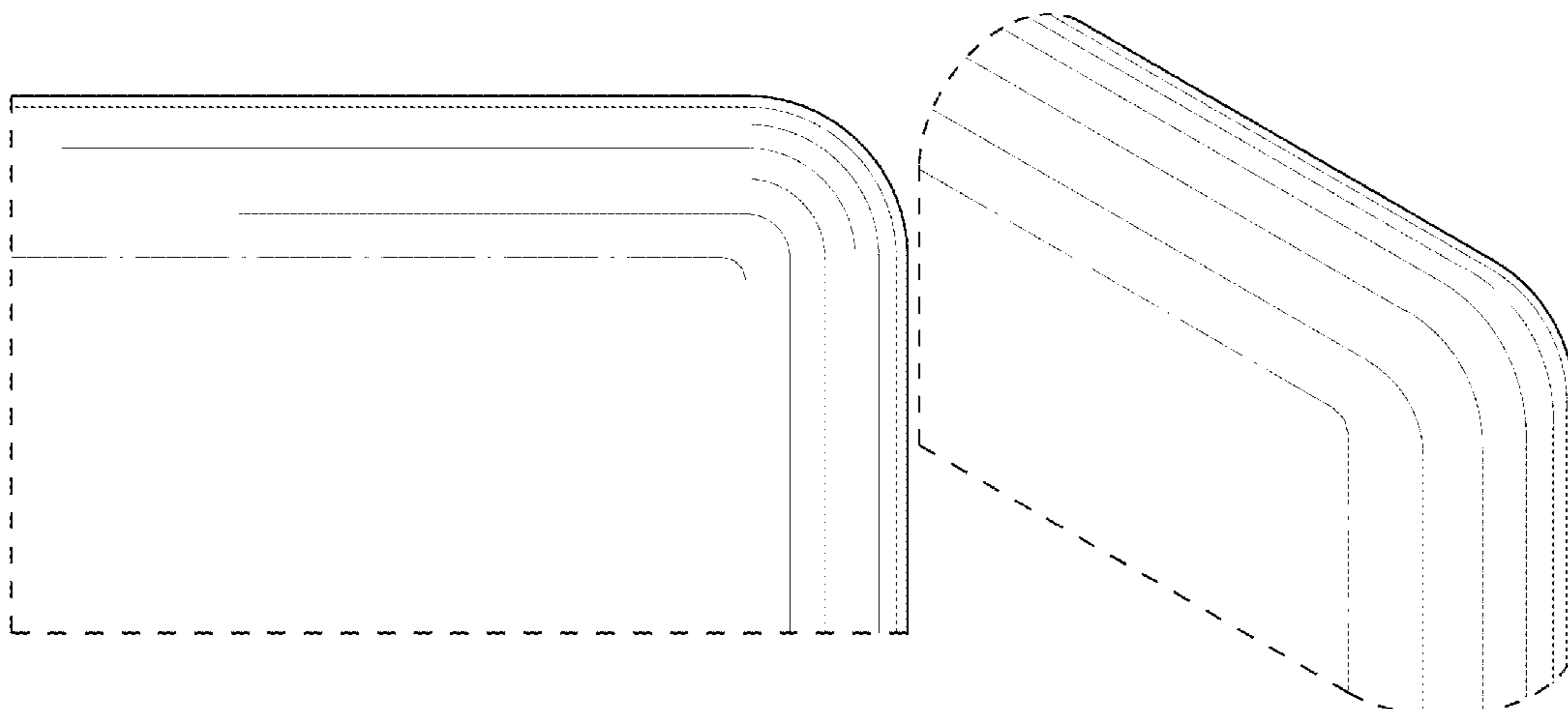
FIG. 18 is a left side perspective view thereof;

FIG. 19 is a right side view thereof shown in an environment of use; and,

FIG. 20 is a rear view thereof shown in an environment of use.

The portions of the exercise block shown in dash-dash broken lines in FIGS. 1-10 do not form part of the claimed design. The dash-dash broken line showing of the person and mat in FIGS. 9-10 and 19-20 is for the purpose of illustrating portions of the environmental structure and forms no part of the claimed design. The dot-dash broken lines shown on the front and back of the exercise block in

(Continued)



FIGS. 1-2, 7-8, and 10 are for illustrating the boundary of the design only and do not form part of the claimed design.

1 Claim, 10 Drawing Sheets

(58) Field of Classification Search

USPC D21/663, 679, 674, 689, 500, 484, 492,
 D21/497, 503, 504, 505, 506, 671, 677,
 D21/678, 684, 797, 814; D6/349, 330,
 D6/335, 336, 337, 338, 340, 350, 351,
 D6/352, 353, 354, 355, 358, 359, 364,
 D6/366, 376, 491, 495, 500, 501, 502,
 D6/601, 611, 334, 343, 365, 691, 691.9,
 D6/692, 692.6, 716, 716.1, 596, 604, 648,
 D6/668, 699.4, 707.26, 708.21, 709, 710,
 D6/716.2, 718.11; D30/160; D24/183,
 D24/190, 191, 200, 211; D26/1, 24, 61,
 D26/63, 65, 85, 93, 118; D19/10

See application file for complete search history.

(56) References Cited

U.S. PATENT DOCUMENTS

2,668,582 A * 2/1954 Goodfellow B60N 2/77
 297/411.24
 D260,535 S * 9/1981 Bovet D19/76

D301,953 S * 7/1989 Evenson D8/349
 D317,635 S * 6/1991 Eggert D21/492
 D332,472 S * 1/1993 Rahbek D21/503
 D339,934 S * 10/1993 Reuter D6/668
 D431,944 S * 10/2000 Cazarez D12/421
 D446,965 S * 8/2001 Lopes D6/668
 D471,380 S * 3/2003 King D6/668
 D507,903 S * 8/2005 Pingel D6/699.4
 D585,674 S * 2/2009 Bennett D6/716.2
 D687,079 S * 7/2013 Mueller D15/146
 D778,156 S * 2/2017 Follett D9/432
 D826,465 S * 8/2018 Knuepfel D26/118
 D880,628 S * 4/2020 McHenry D21/686
 D914,775 S * 3/2021 Kato D15/128
 2006/0265810 A1 * 11/2006 Wu A47C 27/081
 5/712
 2015/0029189 A1 * 1/2015 O'Mahoney A47C 31/123
 345/420
 2017/0297729 A1 * 10/2017 Soria B32B 1/00
 2021/0025153 A1 * 1/2021 Leoppold E03D 9/032

OTHER PUBLICATIONS

Panduit outside fitting, announced 2012 [online], [site visited May 11, 2021]. Available on internet, https://www.amazon.com/Panduit-OCF5IW-Outside-Fitting-Raceway/dp/B008EKSC0I/ref=sr_1_22?dchild=1&keywords=panduit+corner+fittings&qid=1619225733&sr=8-22 (Year: 2012).*

* cited by examiner

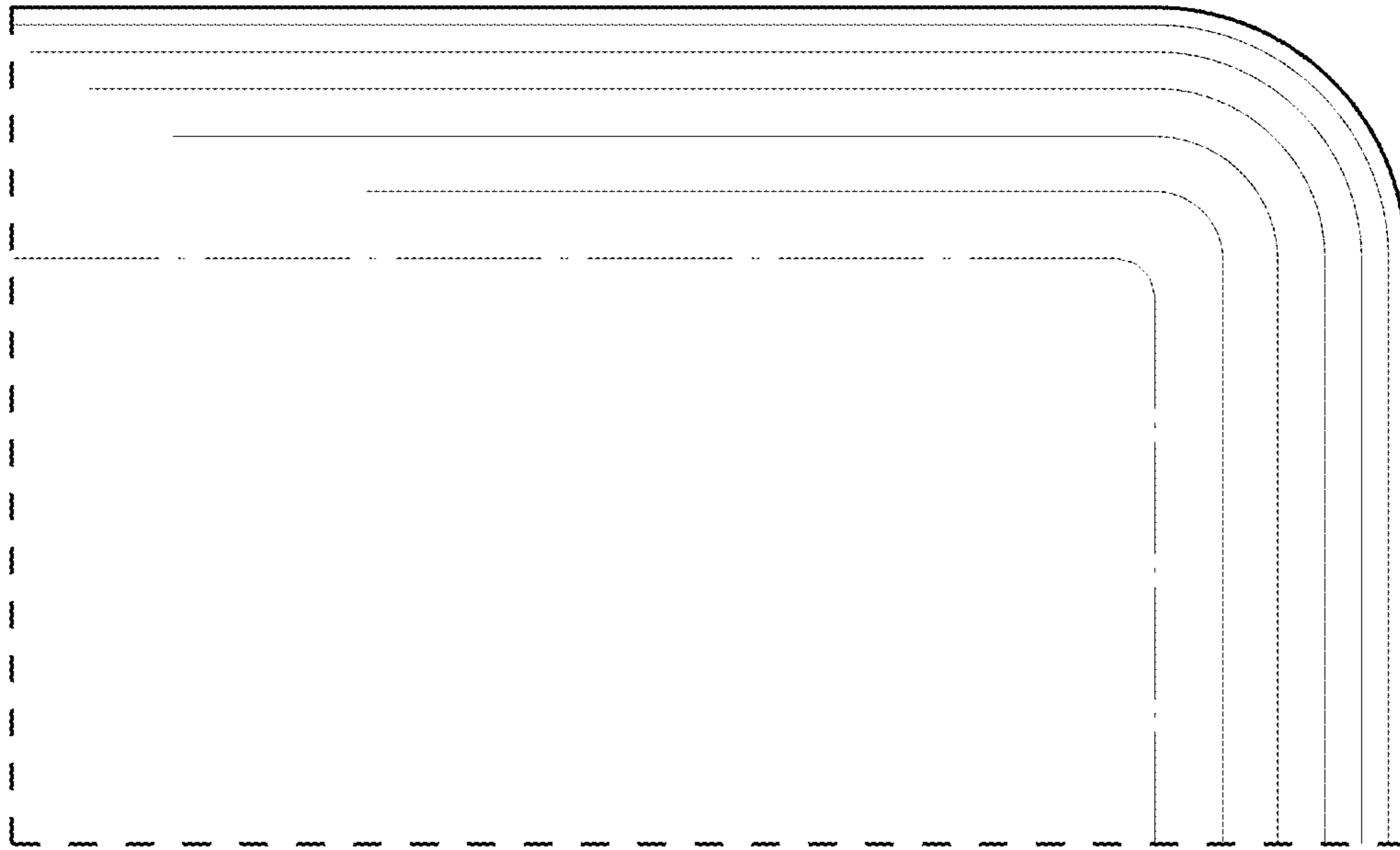


FIG.1

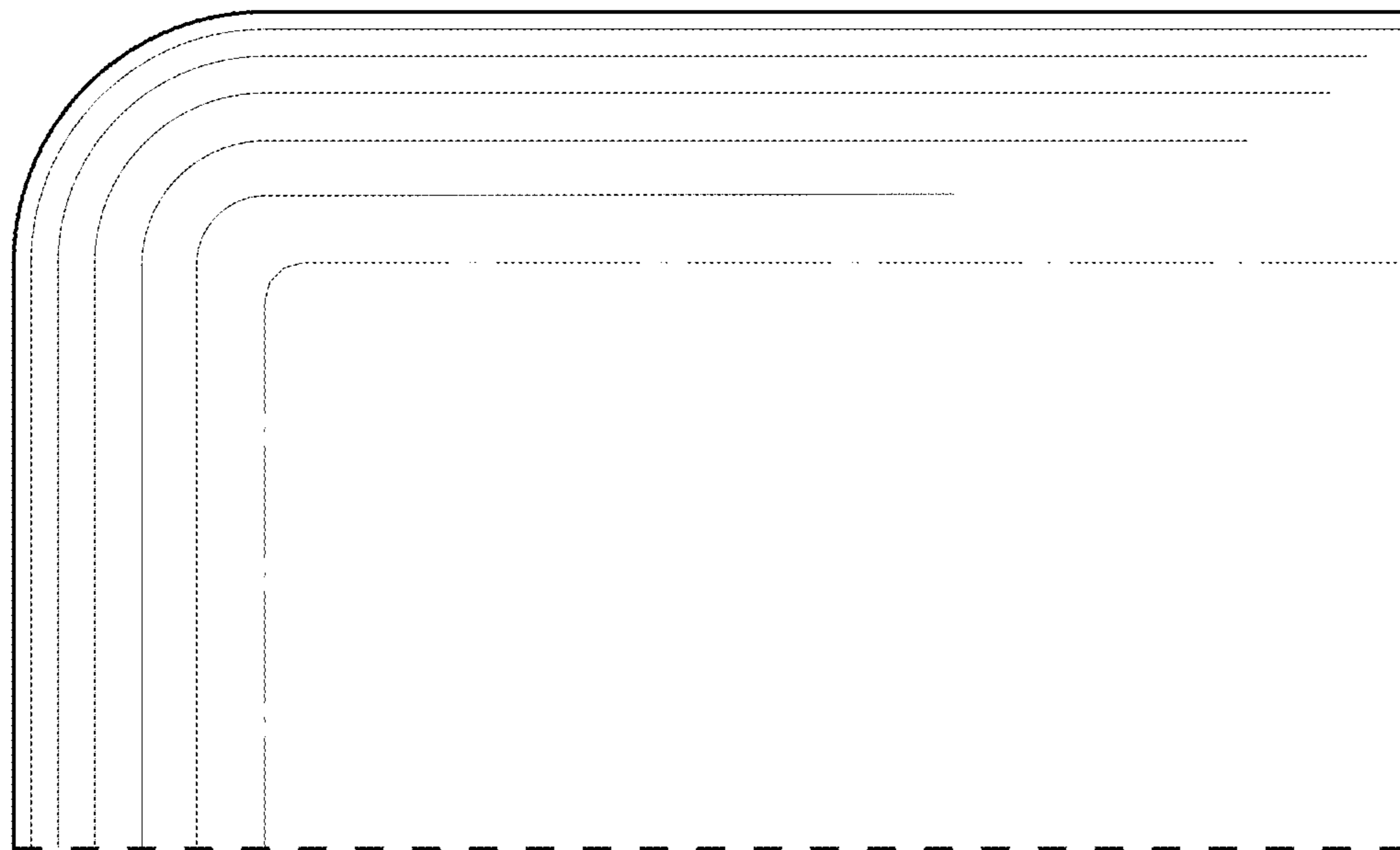


FIG.2

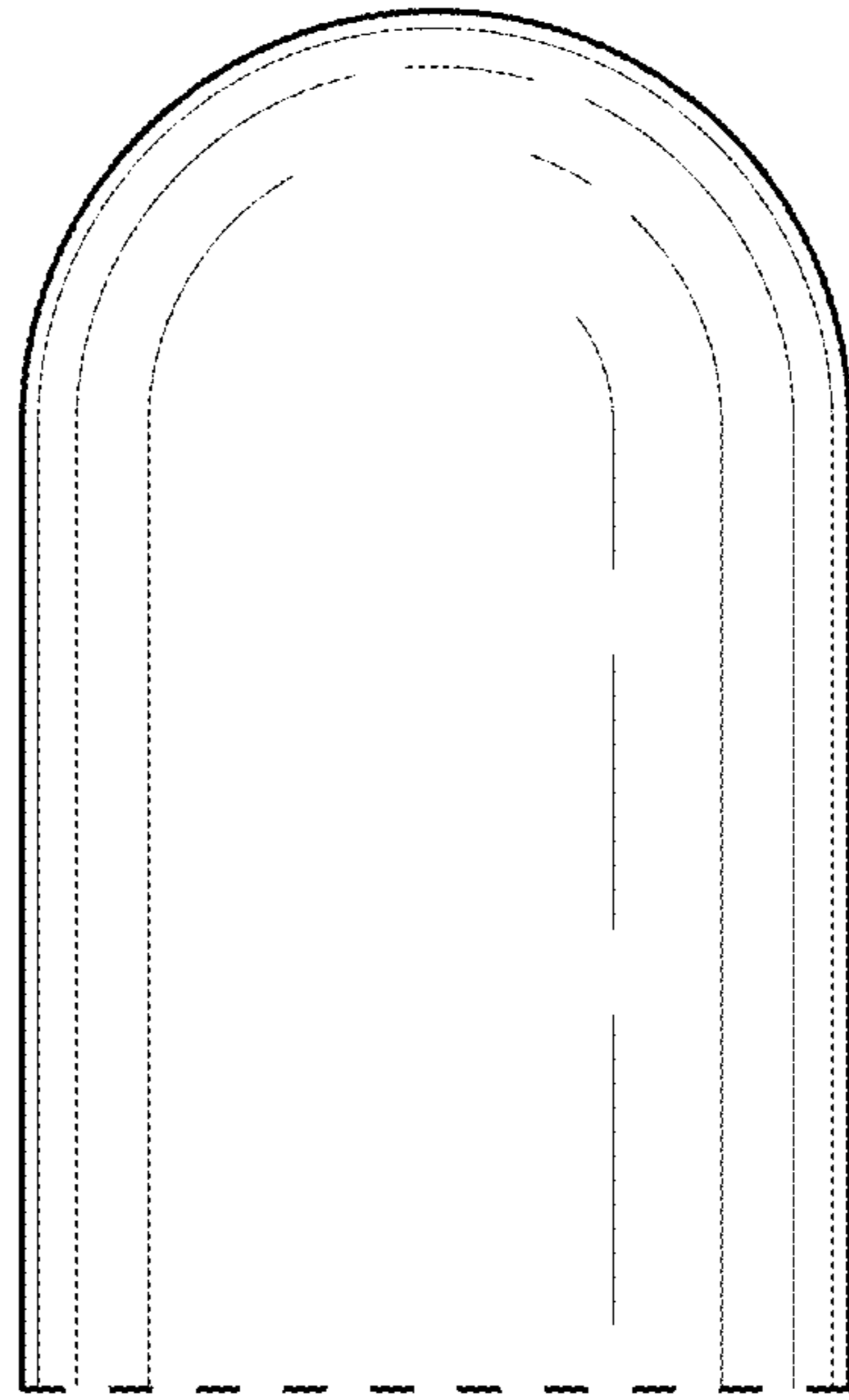


FIG.3

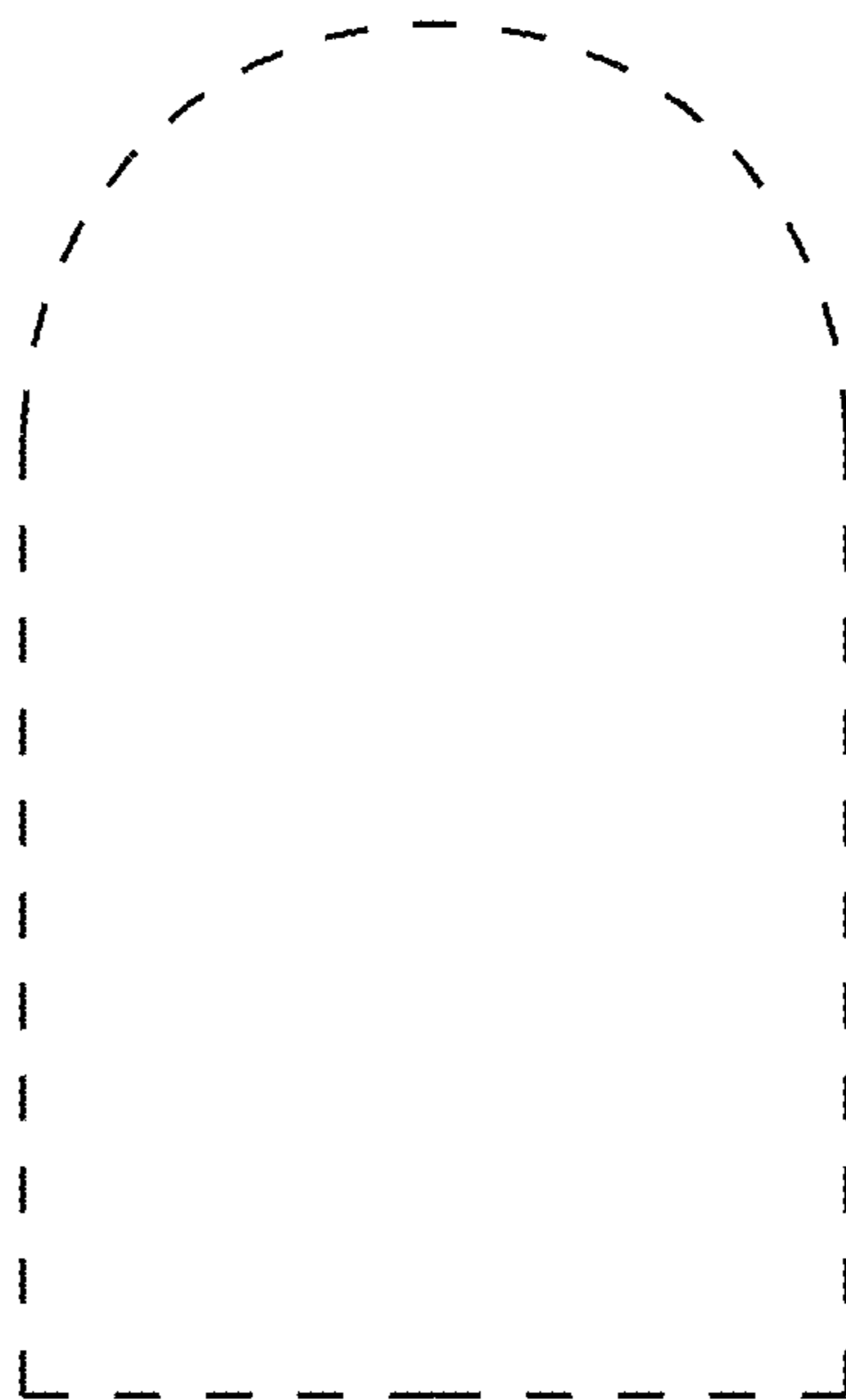


FIG.4

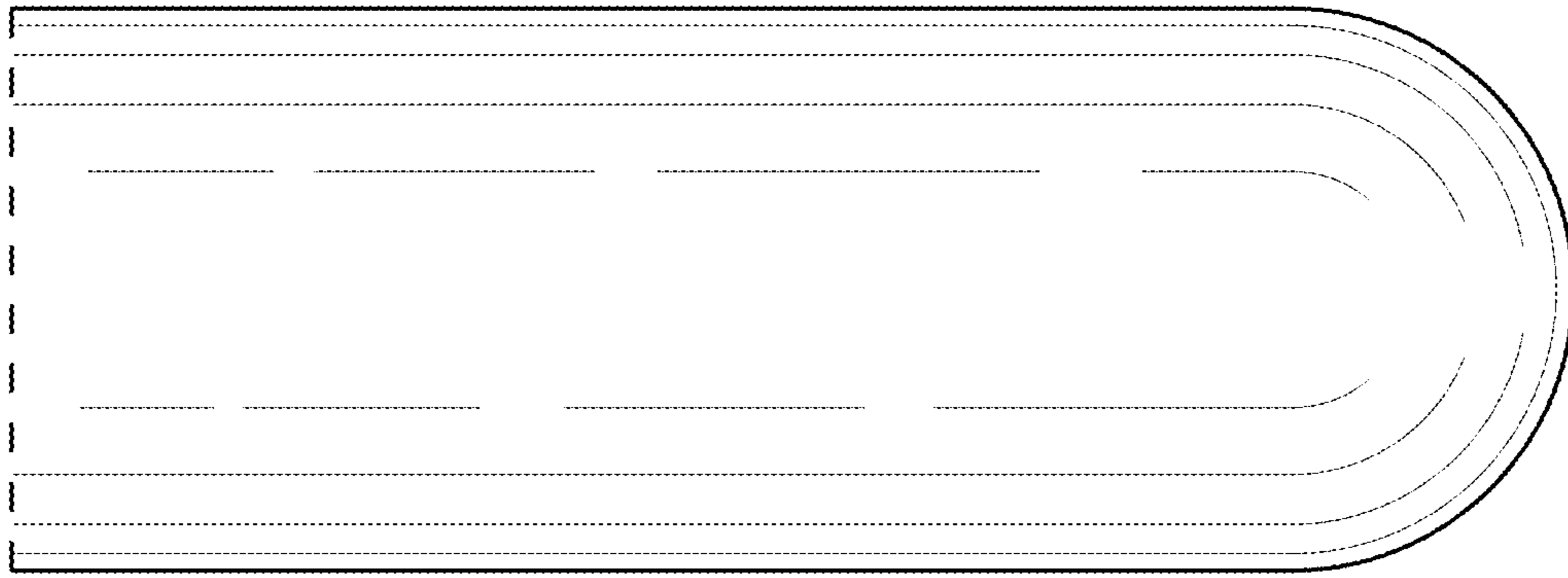


FIG. 5



FIG. 6

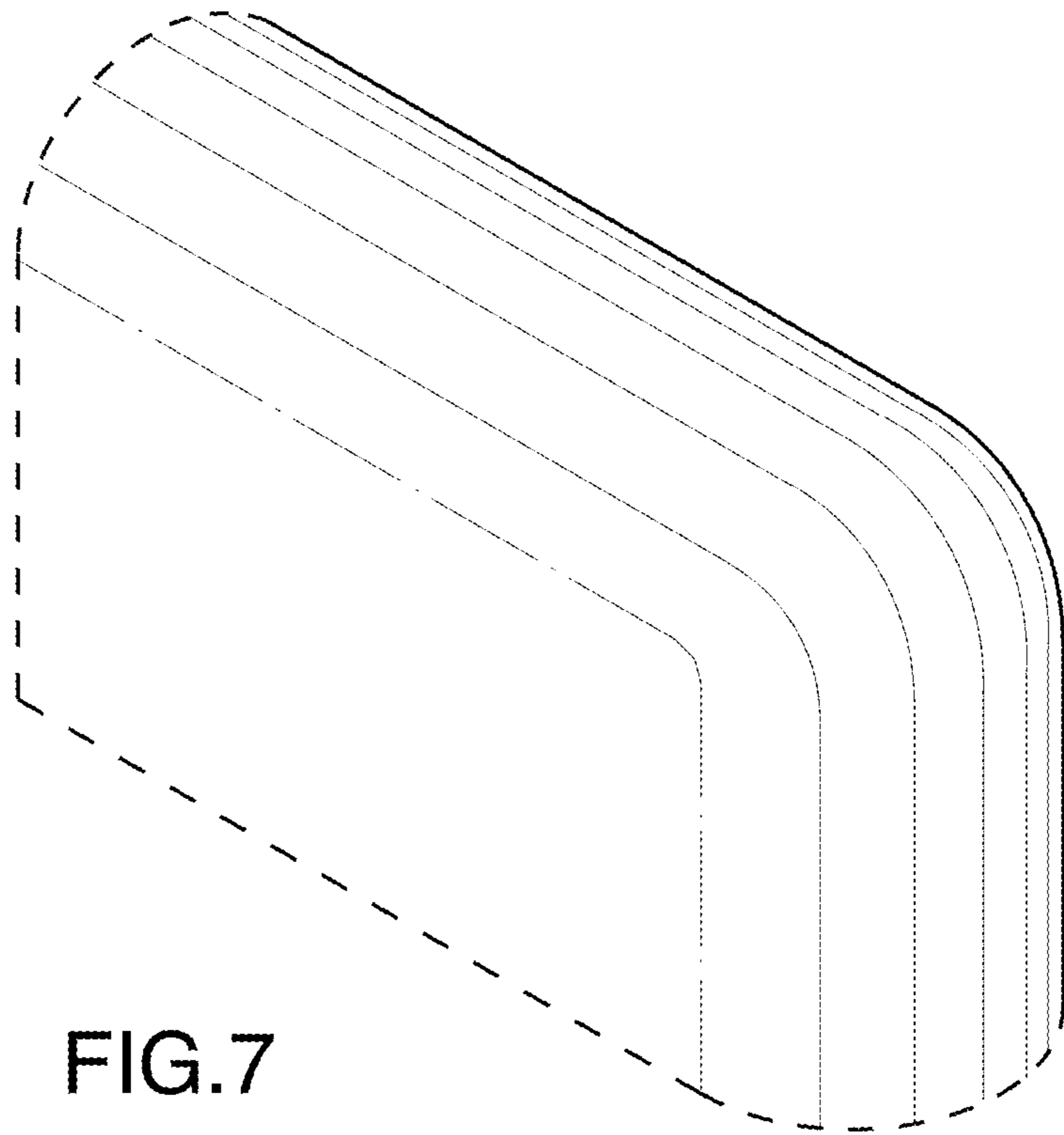


FIG. 7

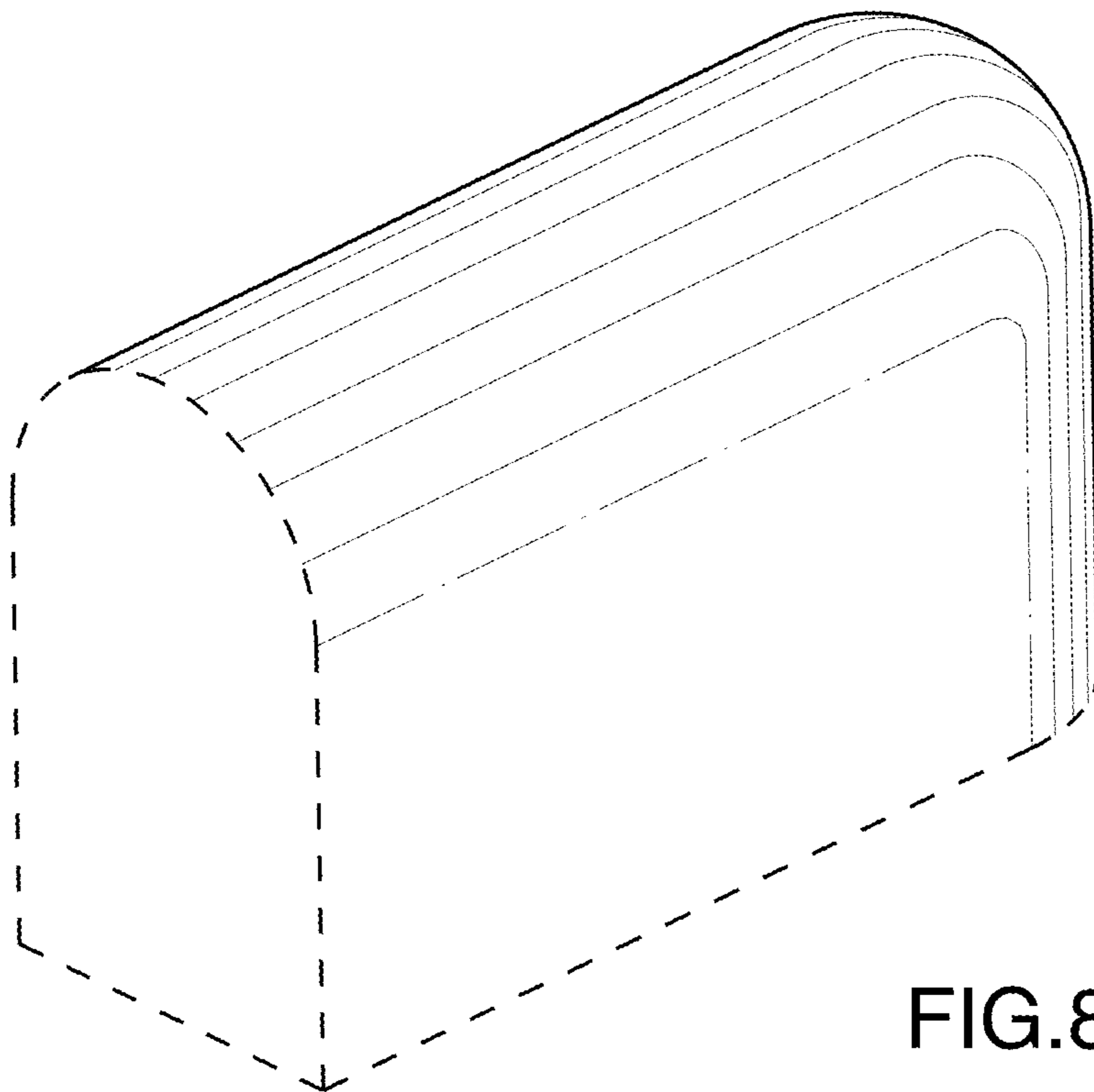


FIG. 8

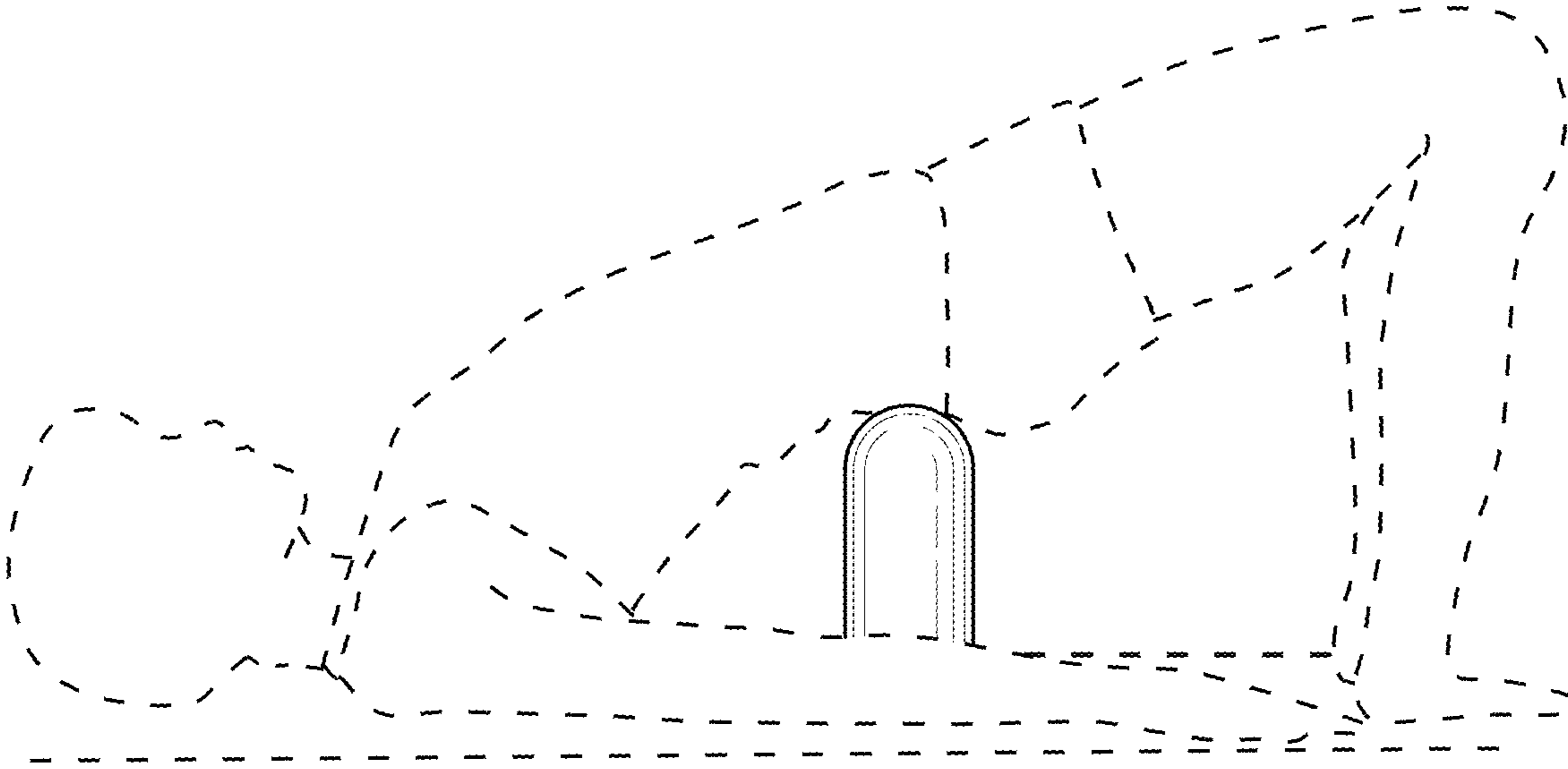


FIG. 9

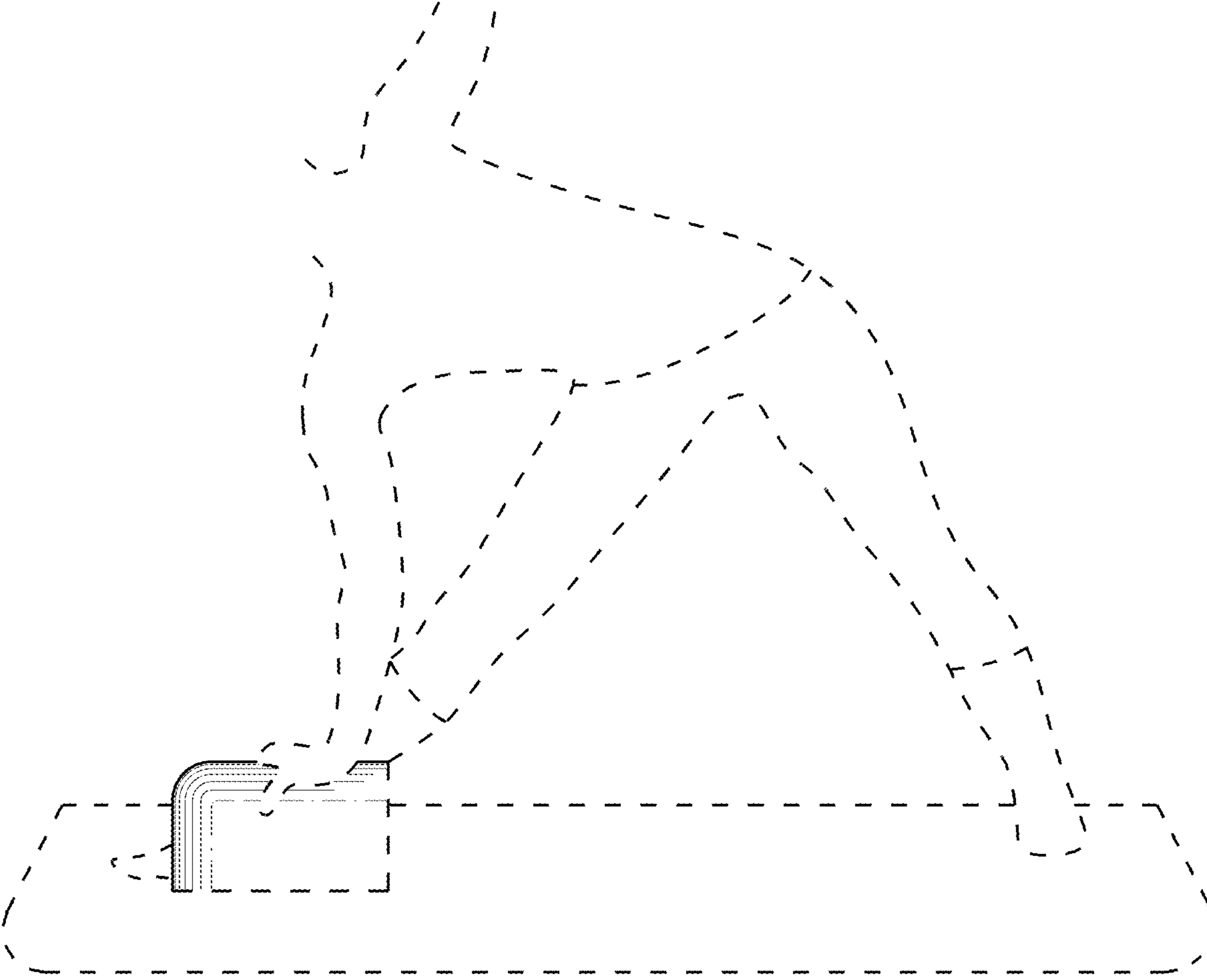


FIG. 10



FIG. 11

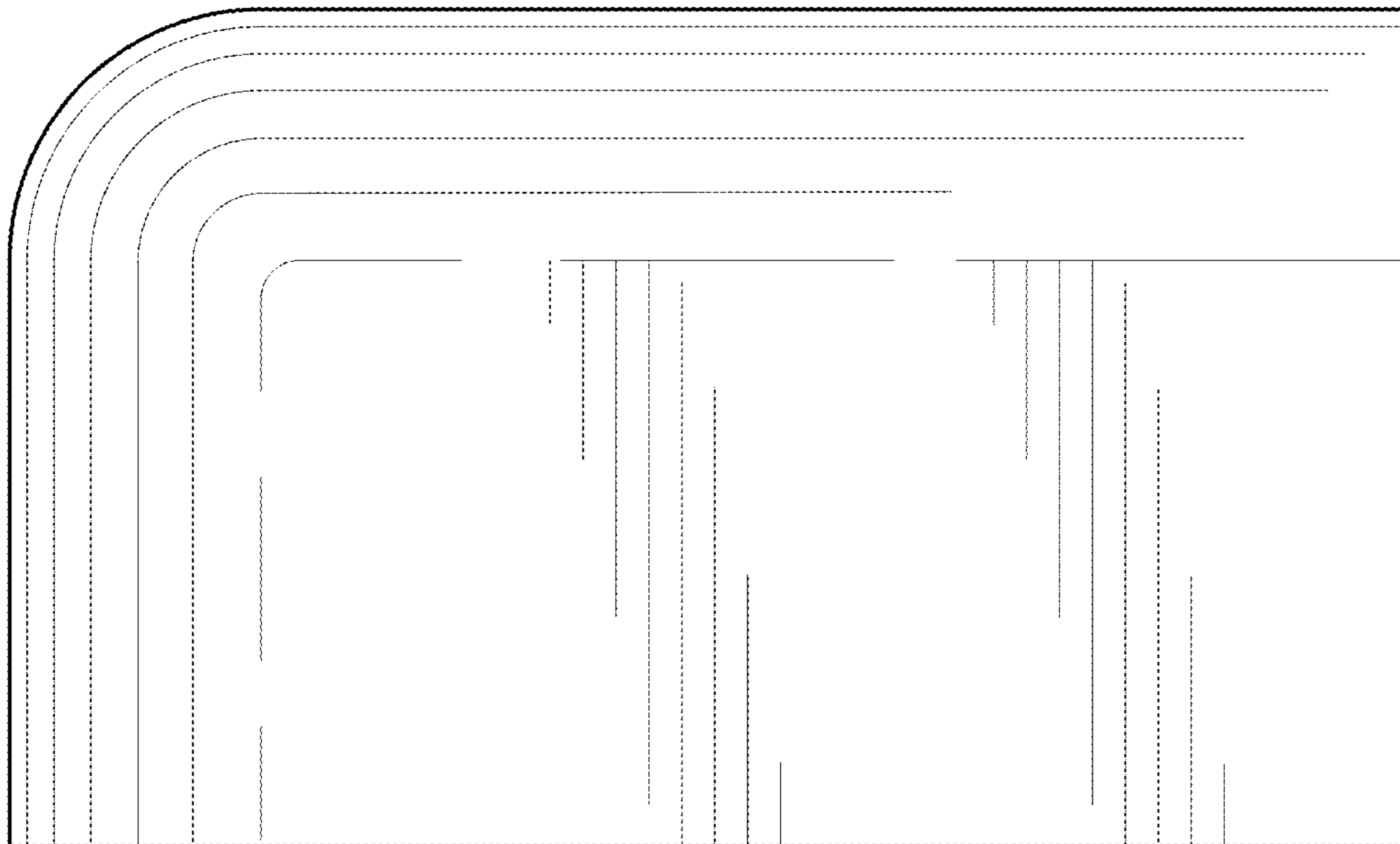


FIG. 12

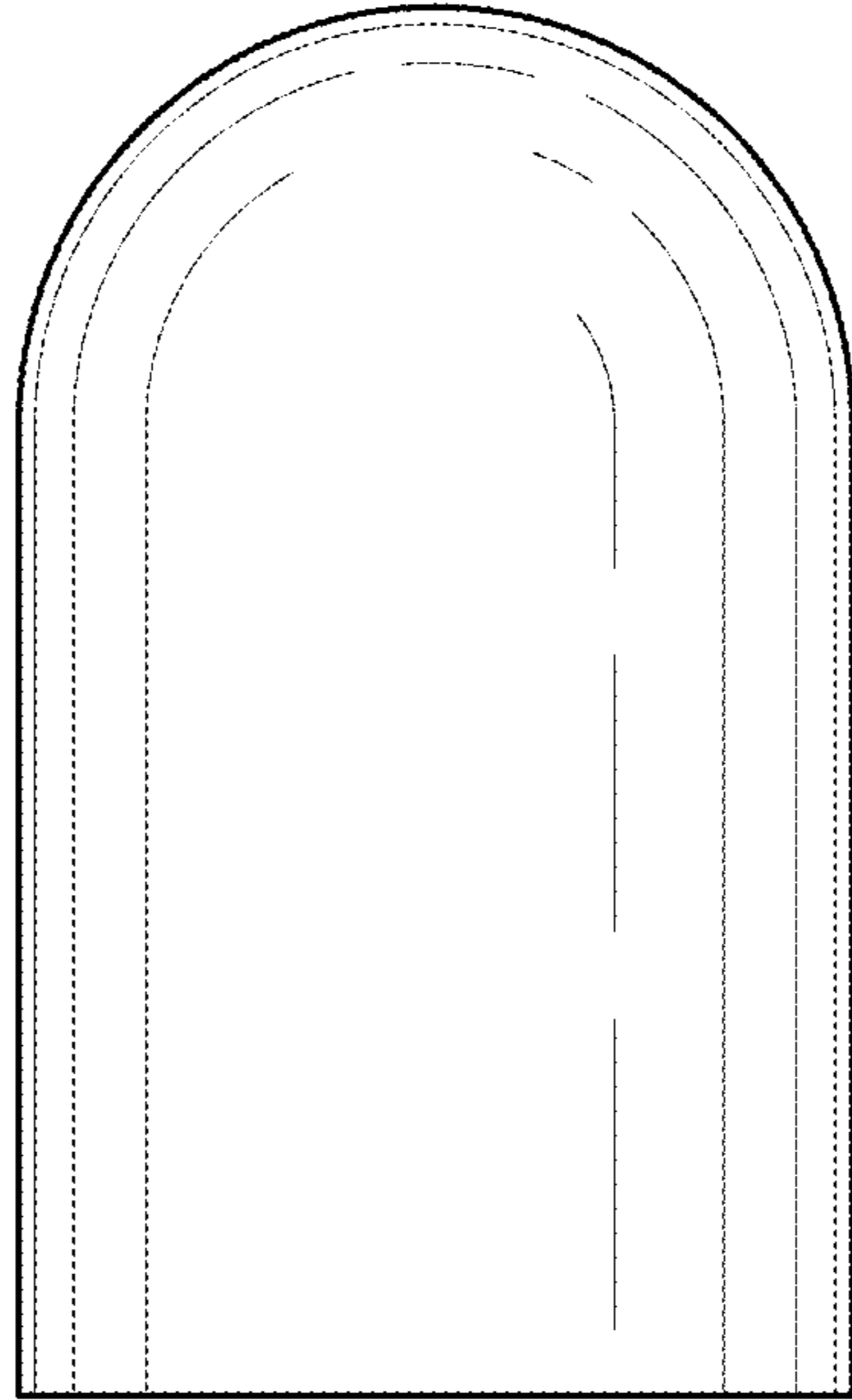


FIG.13

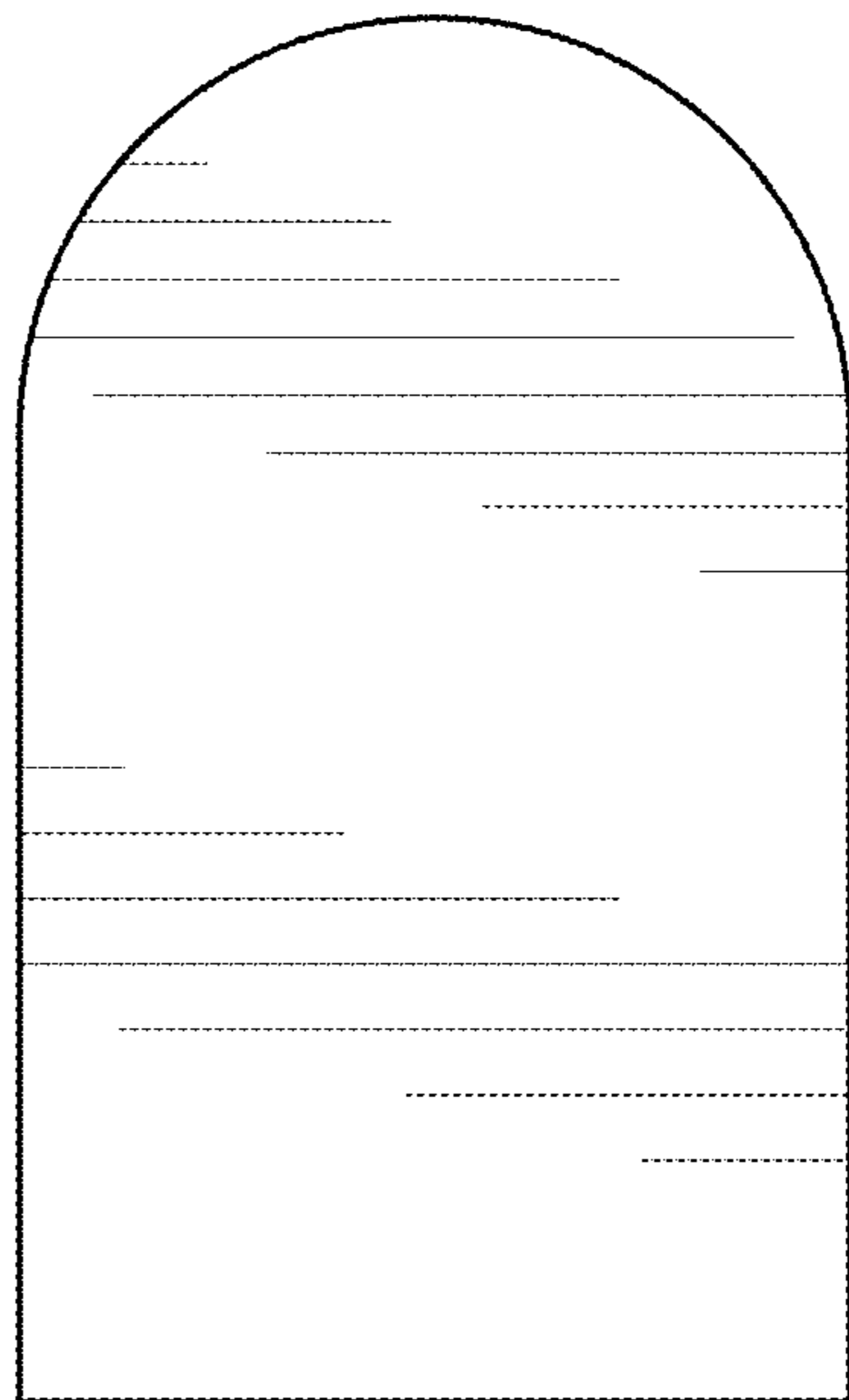


FIG.14

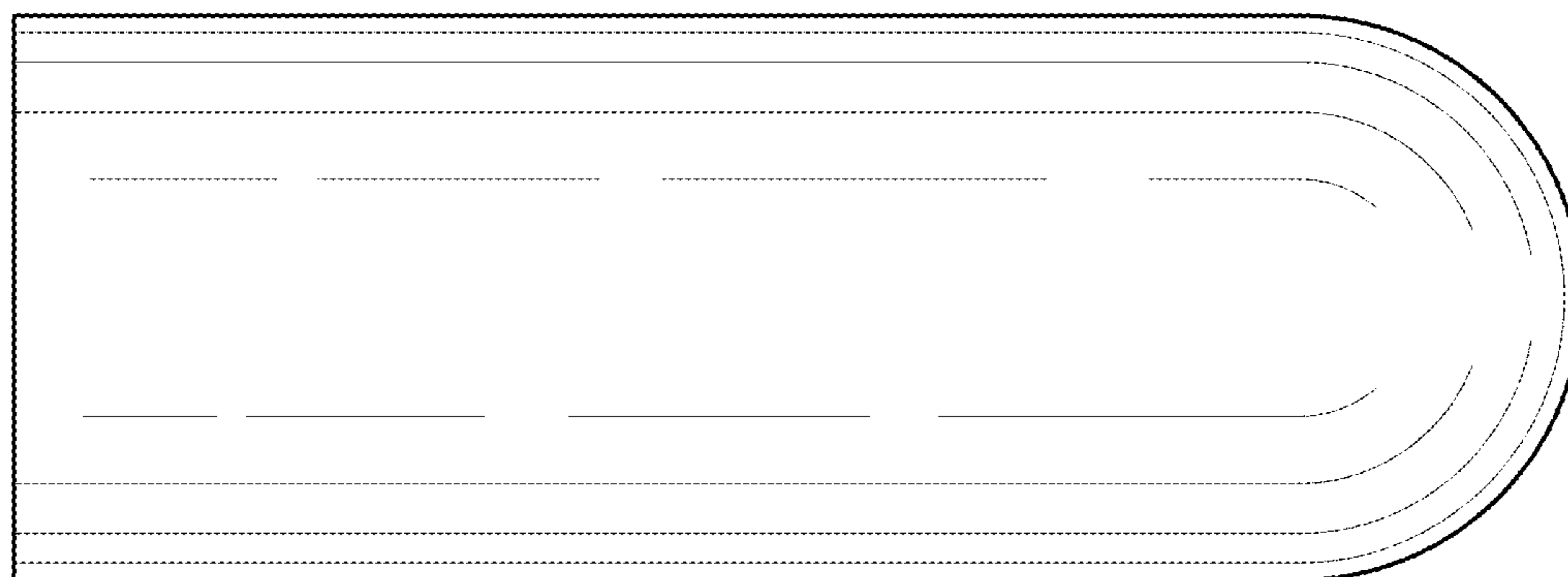


FIG.15

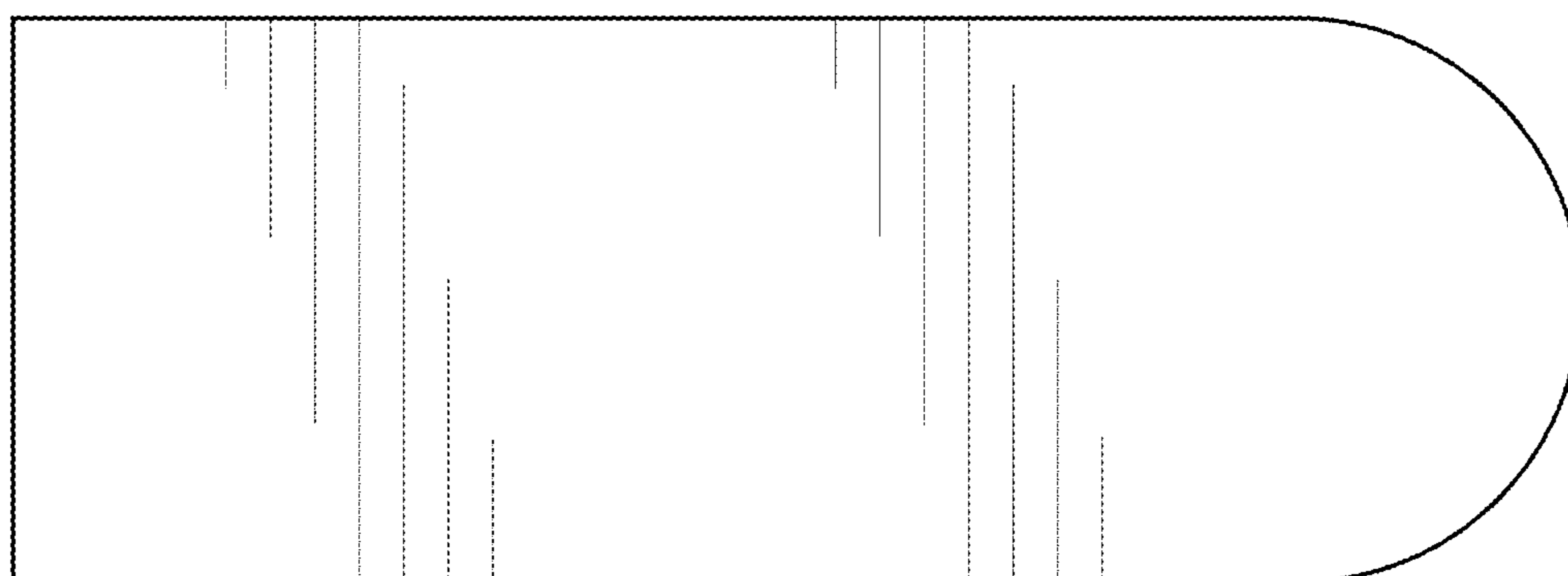


FIG.16

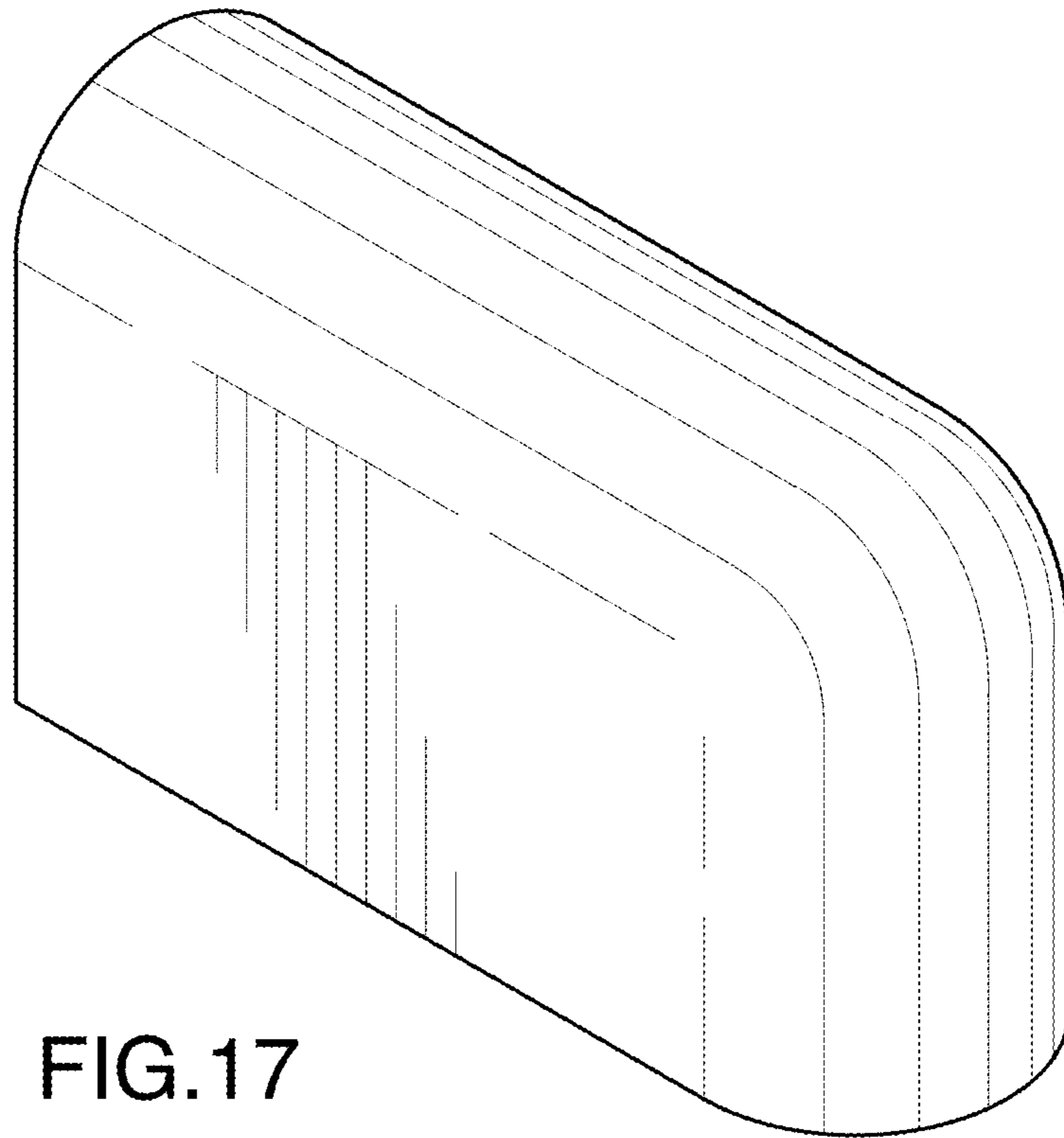


FIG.17

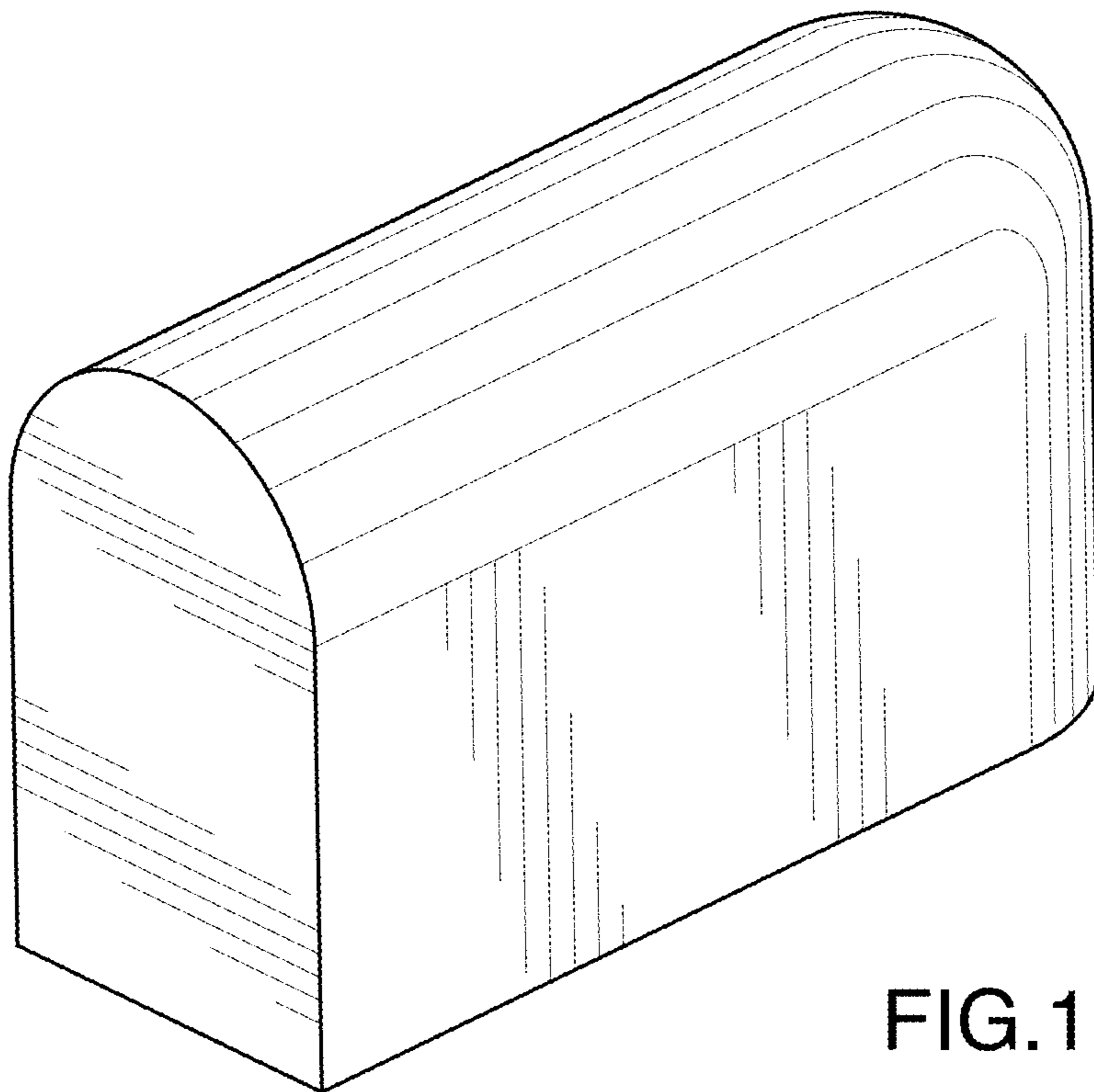


FIG.18

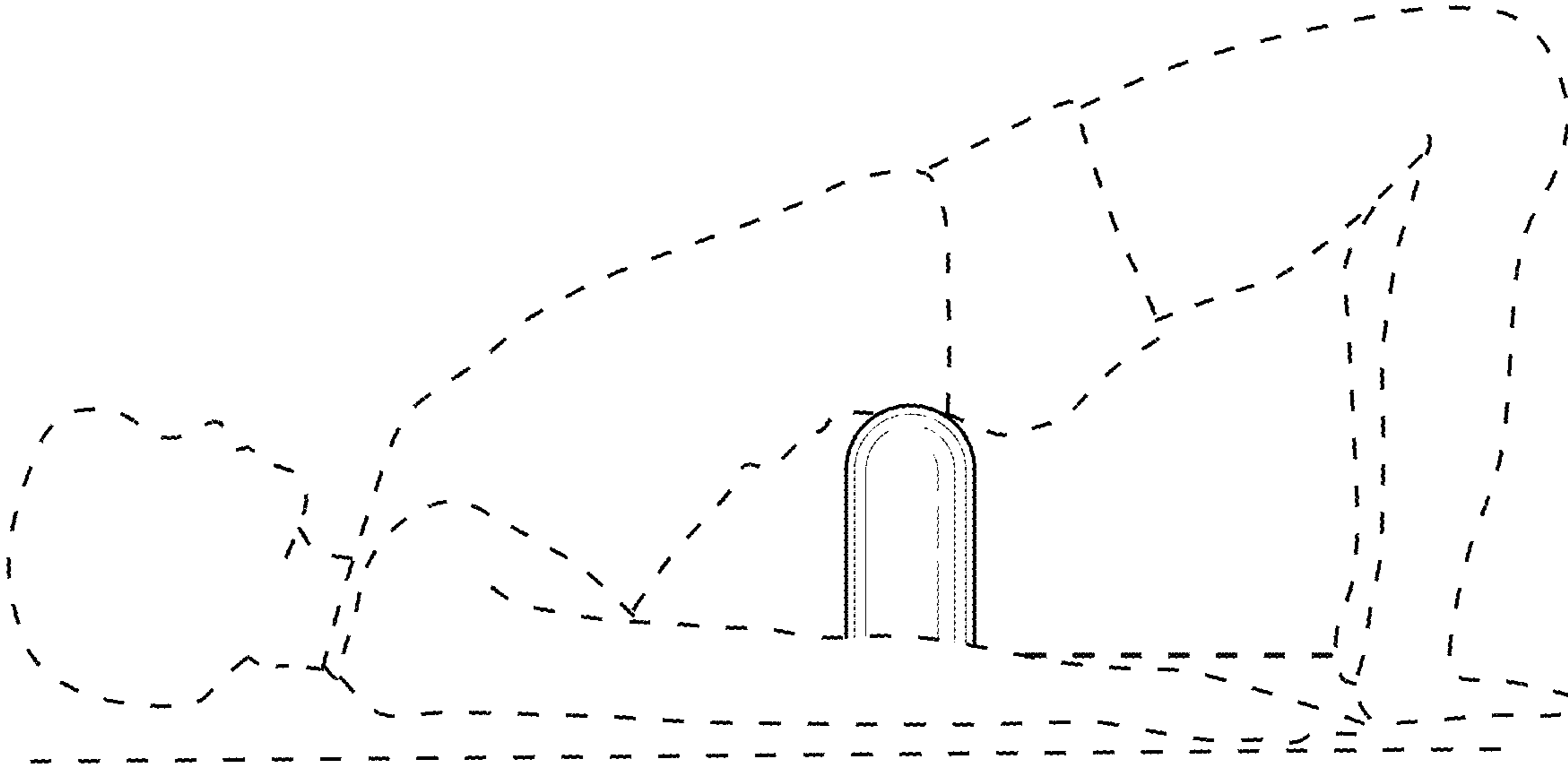


FIG.19

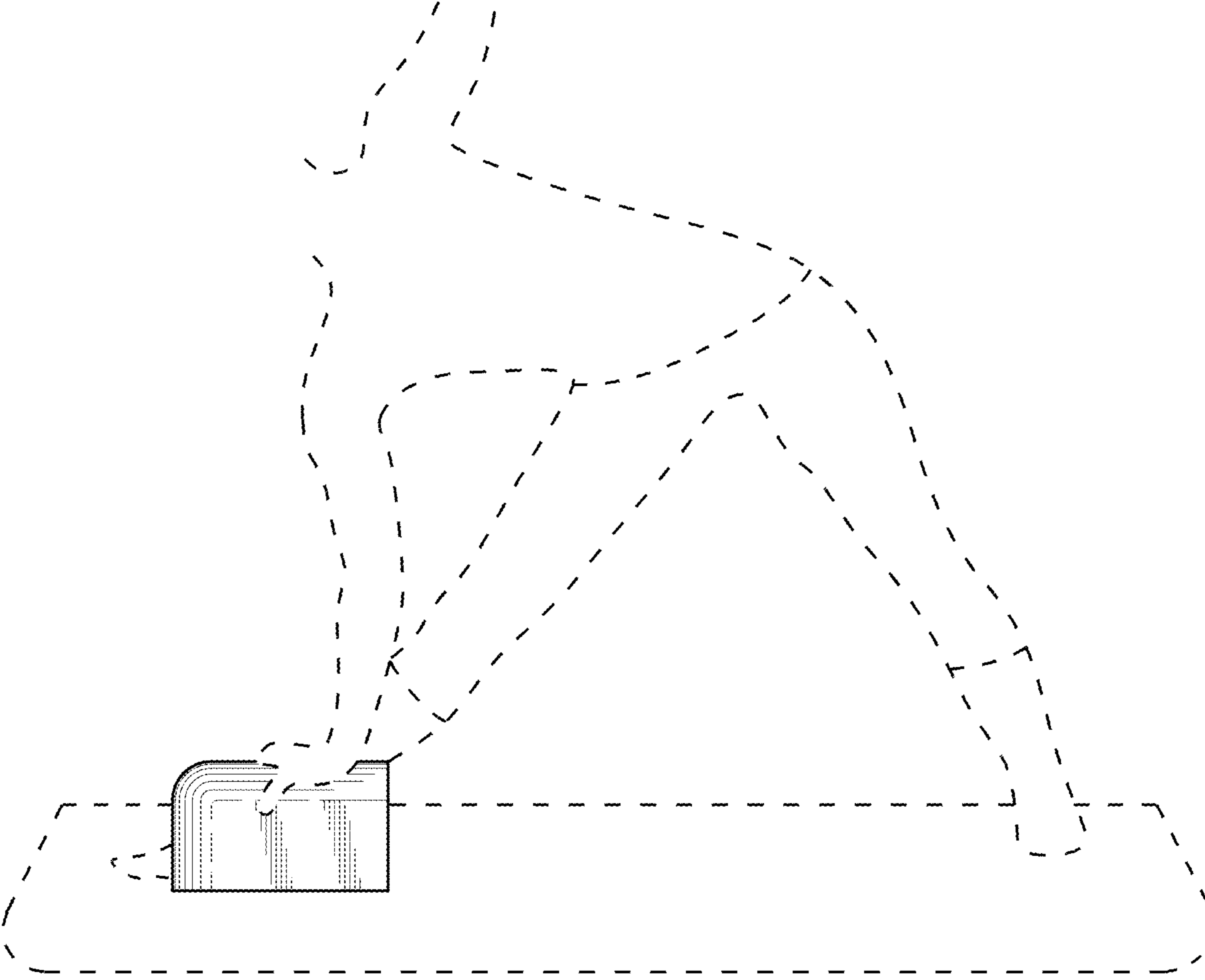


FIG.20