



US00D940255S

(12) **United States Design Patent** (10) **Patent No.:** **US D940,255 S**
Dong et al. (45) **Date of Patent:** **** Jan. 4, 2022**

(54) **TOY GRENADE**

(71) Applicant: **360DEGREE SUPPLY CHAIN SOLUTION LIMITED**, Hong Kong (HK)

(72) Inventors: **Guansong Dong**, Hong Kong (HK); **Zebo Sun**, Hong Kong (HK)

(**) Term: **15 Years**

(21) Appl. No.: **29/665,796**

(22) Filed: **Oct. 7, 2018**

(51) **LOC (13) Cl.** **21-01**

(52) **U.S. Cl.**
USPC **D21/567**; D21/707

(58) **Field of Classification Search**
USPC D21/567, 570; D22/112–114; D9/600, D9/680; D3/202–203, 211, 270
CPC F42B 27/00; F42B 12/36
See application file for complete search history.

(56) **References Cited**

U.S. PATENT DOCUMENTS

- 4,932,329 A * 6/1990 Logie F42B 12/50
102/482
- 7,234,703 B1 * 6/2007 Kusz A63B 67/007
273/440
- 7,784,455 B1 * 8/2010 Chong F41B 11/62
124/73
- 8,117,966 B1 * 2/2012 Graber F42B 8/26
102/498
- D662,425 S * 6/2012 Barratt D9/680
- D683,235 S * 5/2013 Albert D9/680
- 8,899,156 B1 * 12/2014 Tseng F42B 12/36
102/482
- D751,158 S * 3/2016 Rice D21/707
- D815,220 S * 4/2018 Nichols D21/714
- 10,436,561 B2 * 10/2019 Rose F42B 3/117
- D881,322 S * 4/2020 Cugini D22/112

- 10,955,226 B2 * 3/2021 Mohrmann F42B 27/00
- 2008/0257193 A1 * 10/2008 Siu F42B 8/26
102/498
- 2014/0130695 A1 * 5/2014 Chong F42B 8/26
102/334

OTHER PUBLICATIONS

Ruibytreetactical Tactical Plastic Toy for CS Nerf Rival, May 6, 2021, Amazon.com, Sep. 2, 2021.URL: <https://www.amazon.com/Ruibytreetactical-Tactical-Plastic-Battle-Strike/dp/B08PFDN8YX> (Year: 2021).*

FenglinTech Grenade for Nerf, Large Capacity, Feb. 21, 2019, Amazon.com, Sep. 2, 2021.URL: <https://www.amazon.com/FenglinTech-Grenade-Capacity-Bullet-Battle/dp/B07L4M3JH2> (Year: 2019).*

SportPro 110 Round Plastic Spring Powered BB Impact, Feb. 6, 2017, Amazon.com, Sep. 2, 2021.URL: <https://www.amazon.com/SportPro-Plastic-Spring-Powered-Airsoft/dp/B0857JQSP6> (Year: 2017).*

* cited by examiner

Primary Examiner — Jack Reickel

Assistant Examiner — Keith J Wilson

(74) *Attorney, Agent, or Firm* — W&KIP

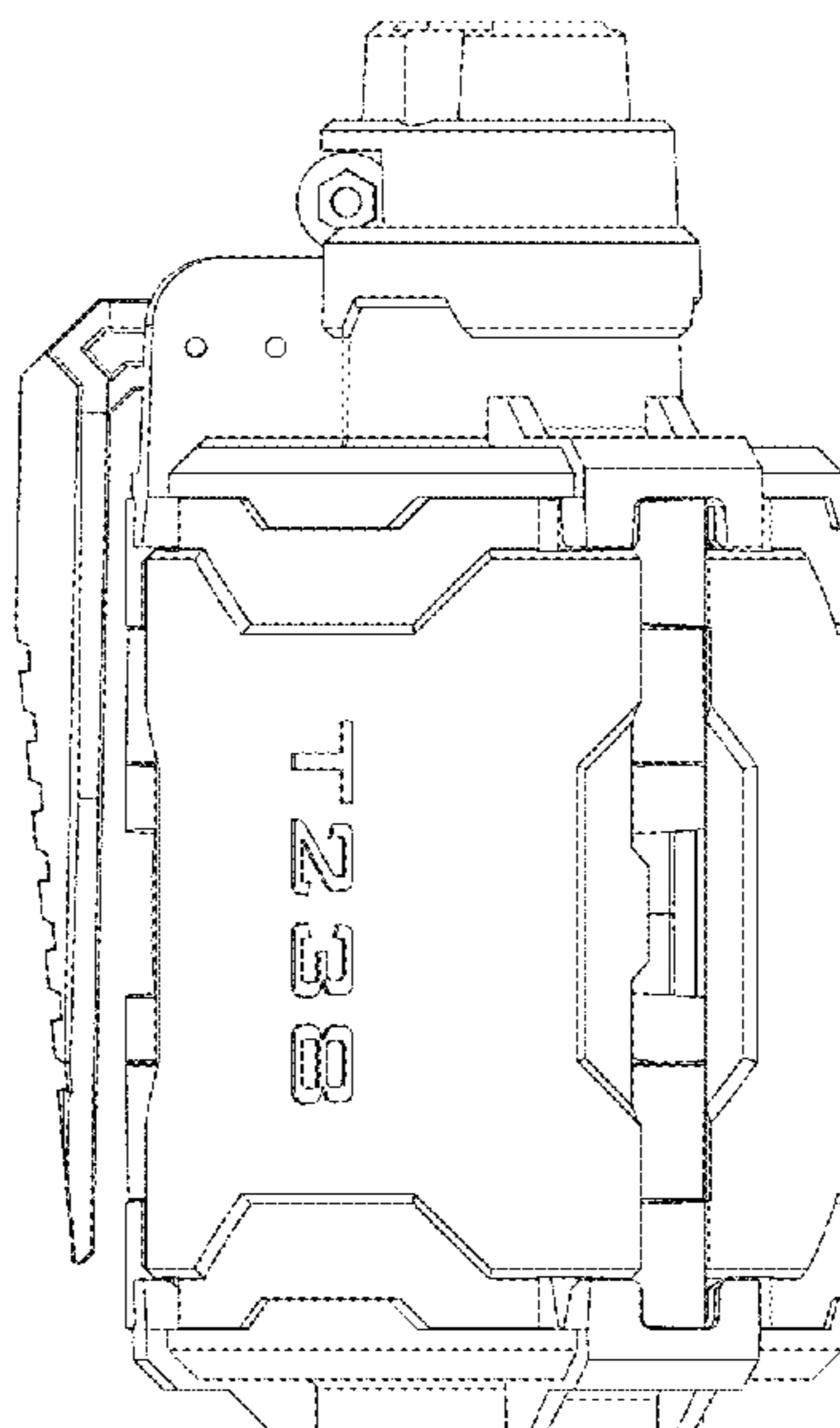
(57) **CLAIM**

The ornamental design for a toy grenade, as shown and described.

DESCRIPTION

FIG. 1 is a front view of a toy grenade showing my new design;
 FIG. 2 is a rear view thereof;
 FIG. 3 is a left side view thereof;
 FIG. 4 is a right side view thereof;
 FIG. 5 is a top plan view thereof; and,
 FIG. 6 is a bottom plan view thereof.
 The dashed or broken lines shown in the drawings depict portions of the toy grenade in which the design is embodied that form no part of the claimed design.

1 Claim, 6 Drawing Sheets



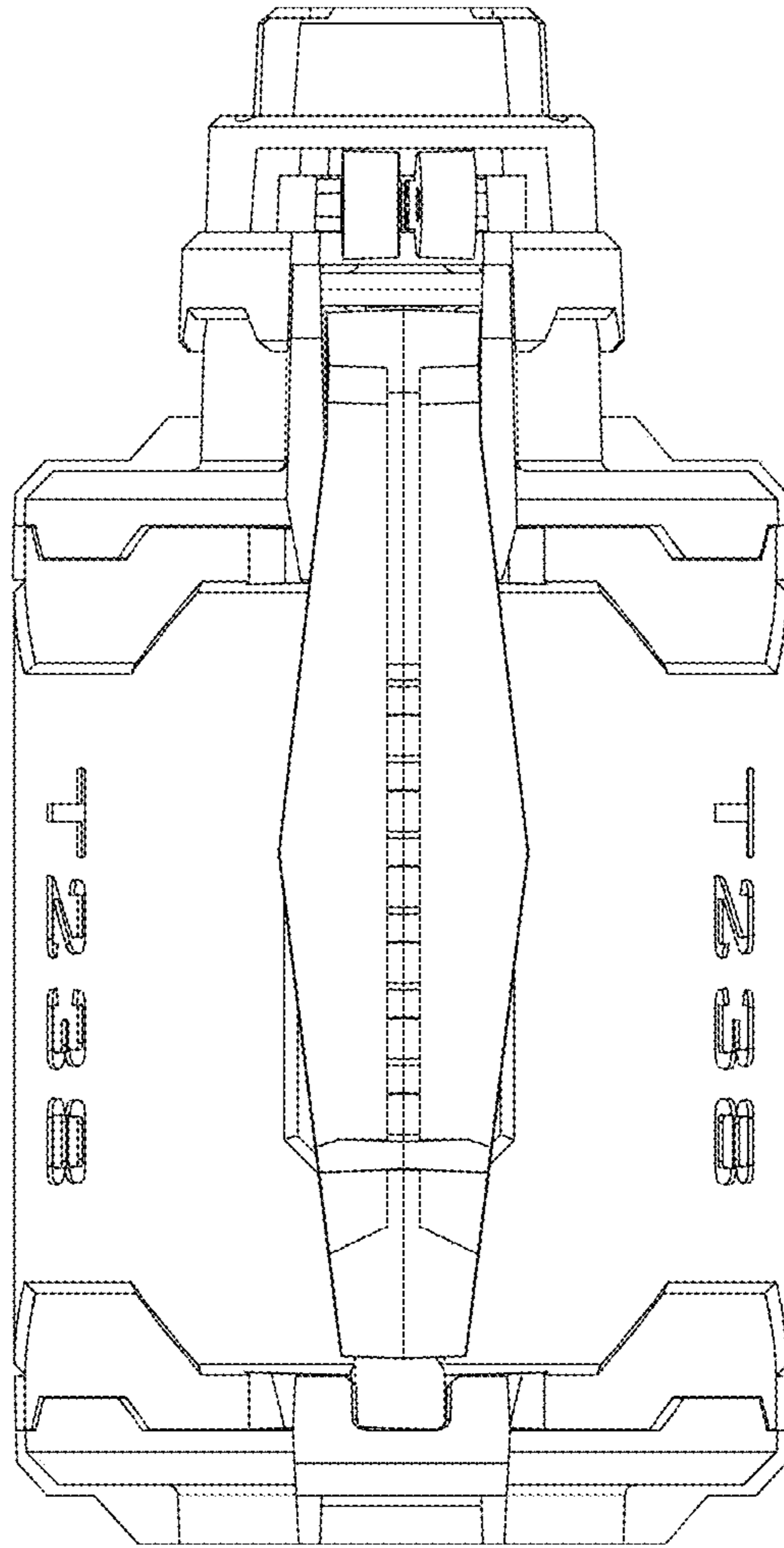


FIG.1

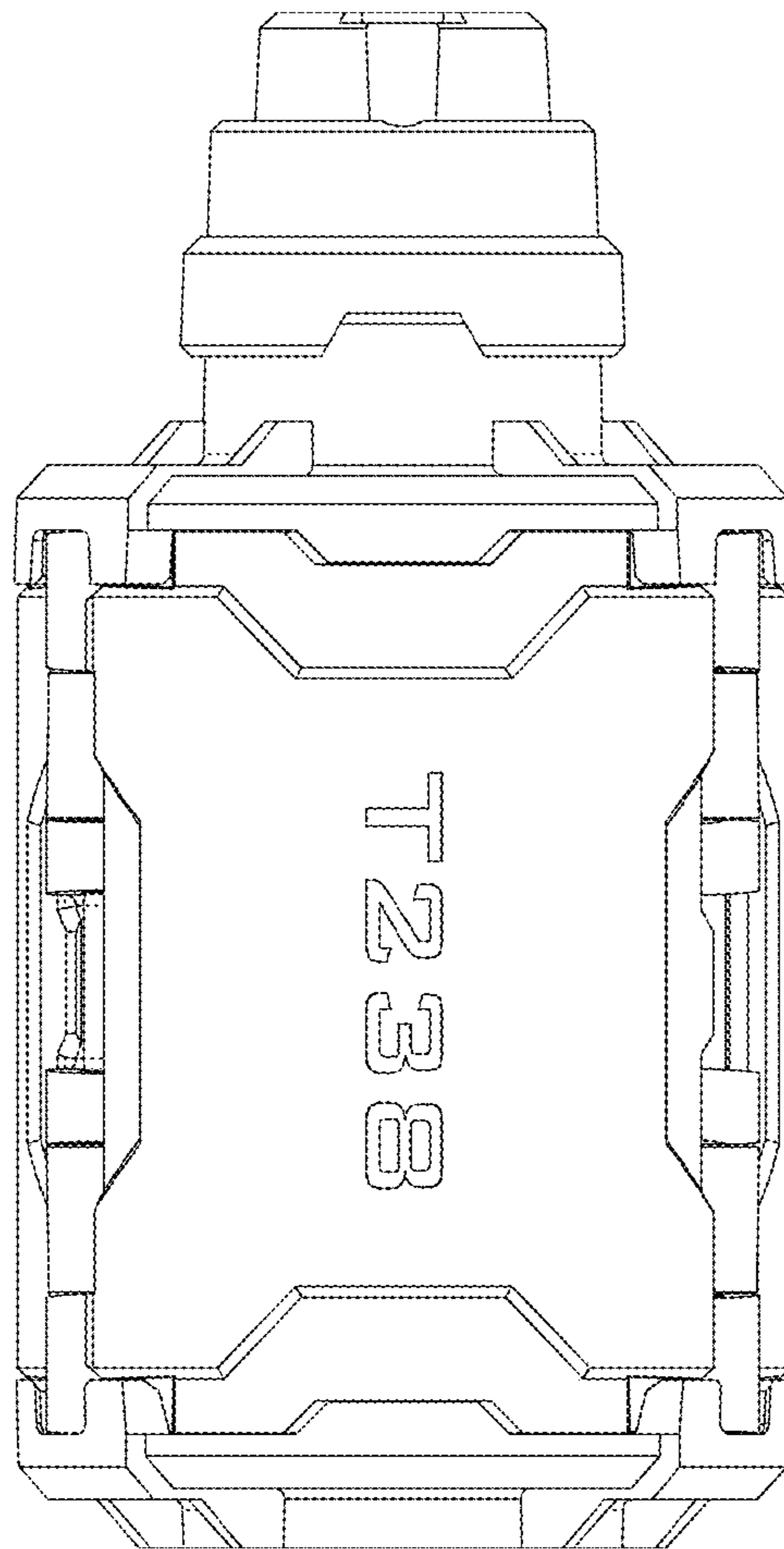


FIG.2

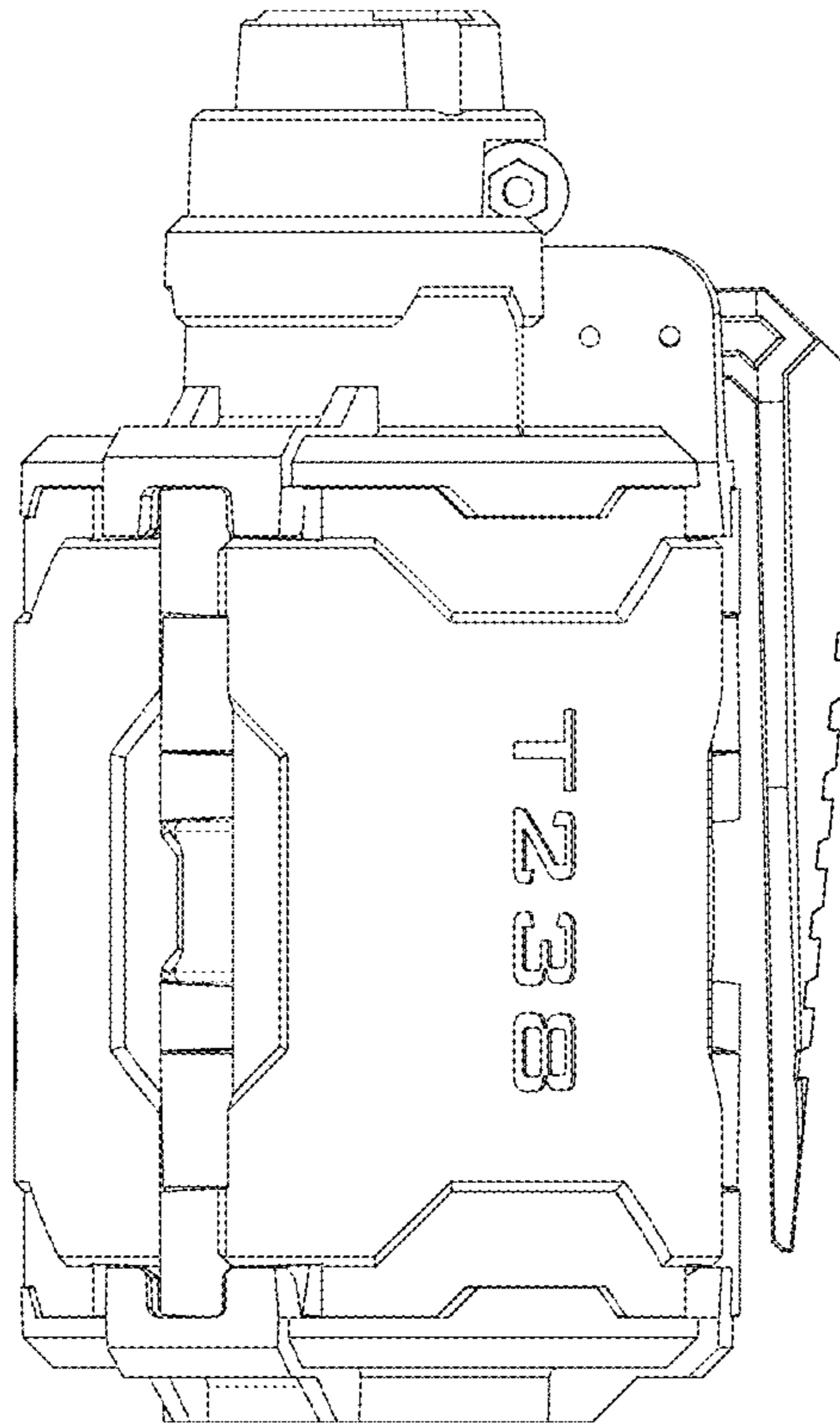


FIG.3

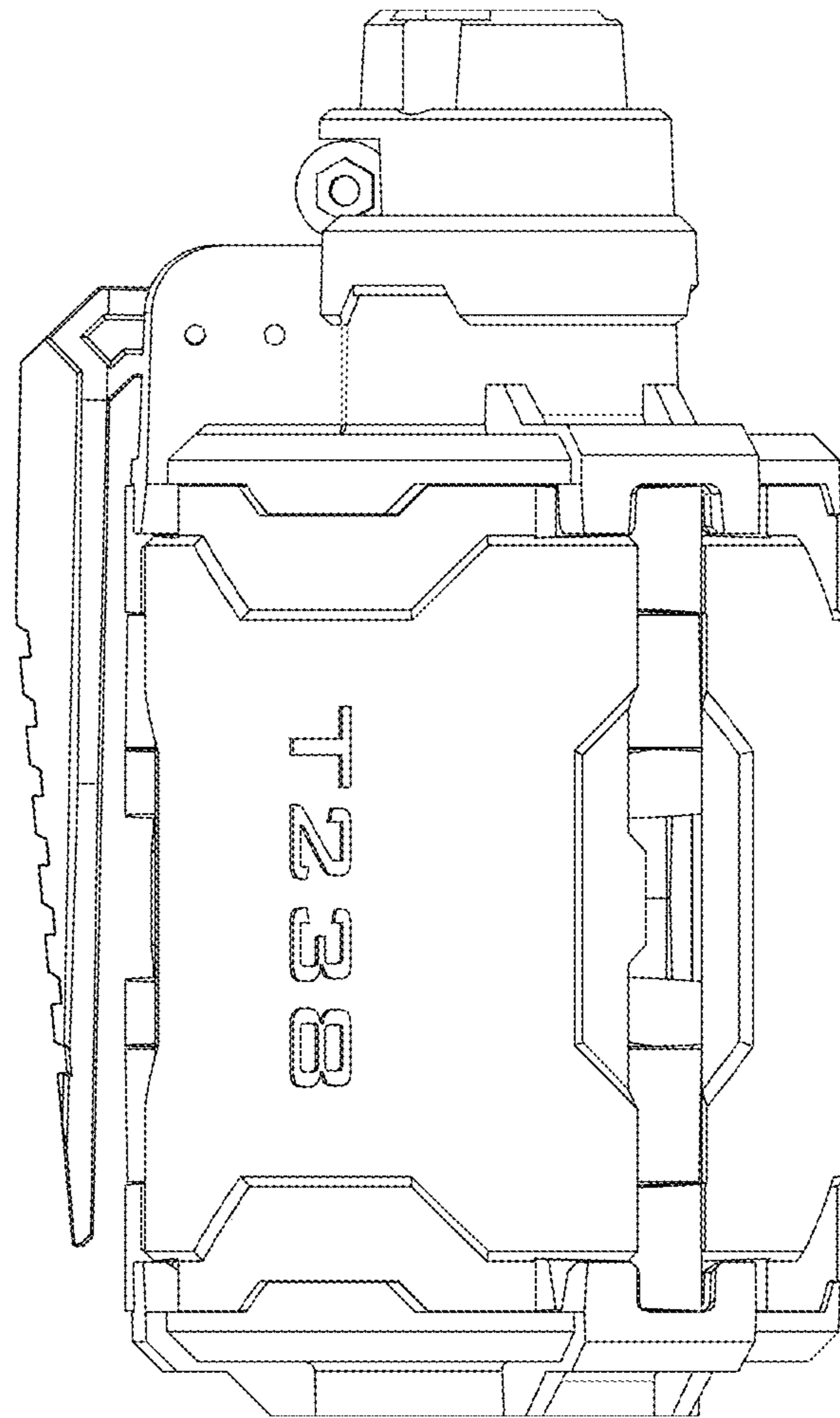


FIG.4

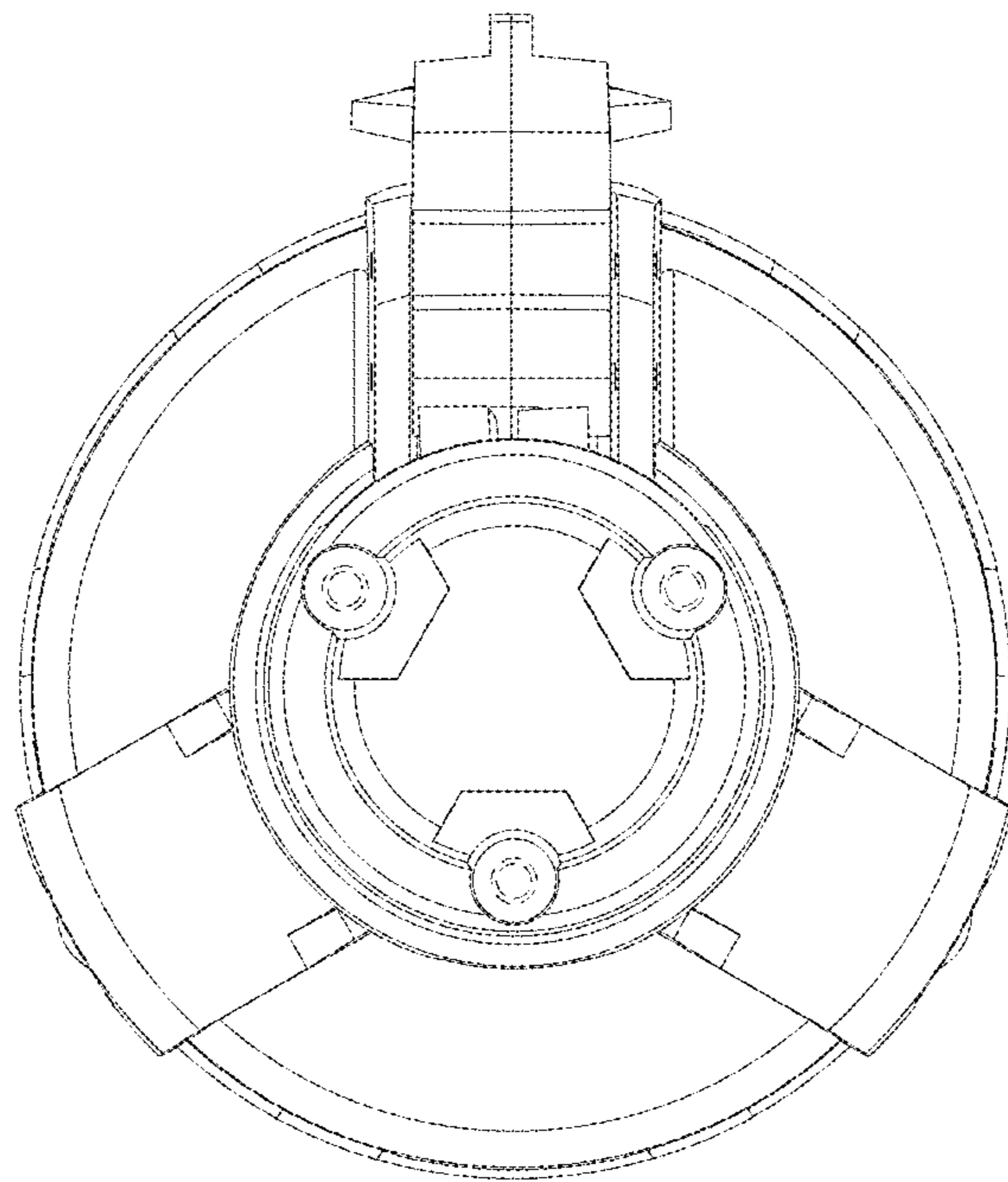


FIG.5

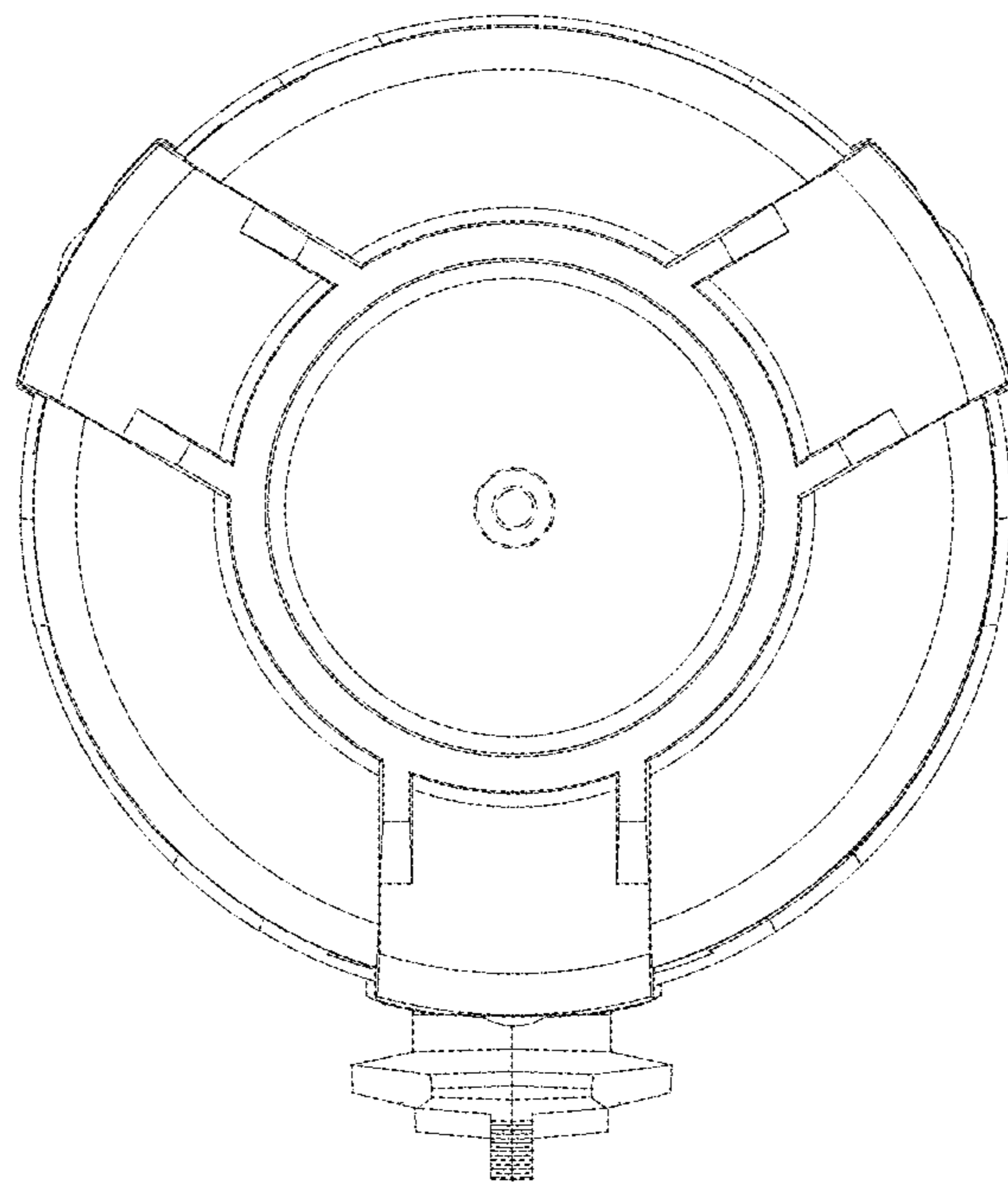


FIG.6