



US00D940254S

(12) **United States Design Patent** (10) **Patent No.:** **US D940,254 S**  
**Lin** (45) **Date of Patent:** **\*\* Jan. 4, 2022**

(54) **TOY CAR**  
(71) Applicant: **Ruichun Lin**, Zhangzhou (CN)  
(72) Inventor: **Ruichun Lin**, Zhangzhou (CN)

(\*\*) Term: **15 Years**  
(21) Appl. No.: **29/739,677**  
(22) Filed: **Jun. 29, 2020**

(51) **LOC (13) Cl.** ..... **21-01**  
(52) **U.S. Cl.**  
USPC ..... **D21/548; D21/550**  
(58) **Field of Classification Search**  
USPC ..... D21/539, 552, 548, 549, 550, 556, 562,  
D21/553, 554; D12/3, 12  
CPC ..... A63H 17/12; A63H 17/045; A63H 17/00;  
A63H 17/004; A63H 17/05; A63H 17/262  
See application file for complete search history.

(56) **References Cited**

U.S. PATENT DOCUMENTS

D250,942 S \* 1/1979 Appelblatt ..... D12/12  
D270,526 S \* 9/1983 Legueu ..... D12/12  
5,727,985 A \* 3/1998 George ..... A63H 17/004  
446/437  
D498,798 S \* 11/2004 Wei ..... D21/550  
D513,630 S \* 1/2006 Wei ..... D21/550  
D526,246 S \* 8/2006 LeBlanc, Sr. .... D12/12  
D527,689 S \* 9/2006 LeBlanc, Sr. .... D12/12  
D538,861 S \* 3/2007 Takahashi ..... D21/550  
D871,512 S \* 12/2019 Cai ..... D21/550  
D897,452 S \* 9/2020 Lin ..... D21/550  
D897,453 S \* 9/2020 Zhang ..... D21/550  
2008/0070472 A1\* 3/2008 Campbell ..... A63H 17/28  
446/430

2008/0318491 A1\* 12/2008 Ishibashi ..... A63H 17/262  
446/456  
2016/0038846 A1\* 2/2016 Colquhoun ..... A63H 17/262  
446/465  
2021/0187404 A1\* 6/2021 Gamble ..... A63H 15/06

FOREIGN PATENT DOCUMENTS

CN 305441366 \* 11/2019  
CN 305949419 \* 7/2020  
CN 305957891 \* 7/2020  
CN 306142654 \* 10/2020  
CN 306368990 \* 3/2021

OTHER PUBLICATIONS

Holyton Remote Control Car, available on Amazon, customer review oldest date Aug. 30, 2020, [site visited Oct. 4, 2021], Available URL: <https://www.amazon.com/Holyton-Remote-Control-Car-Waterproof/dp/B08B1F3494/> (Year: 2020).\*

(Continued)

*Primary Examiner* — Sheryl Lane  
*Assistant Examiner* — Emily Anna Saunders

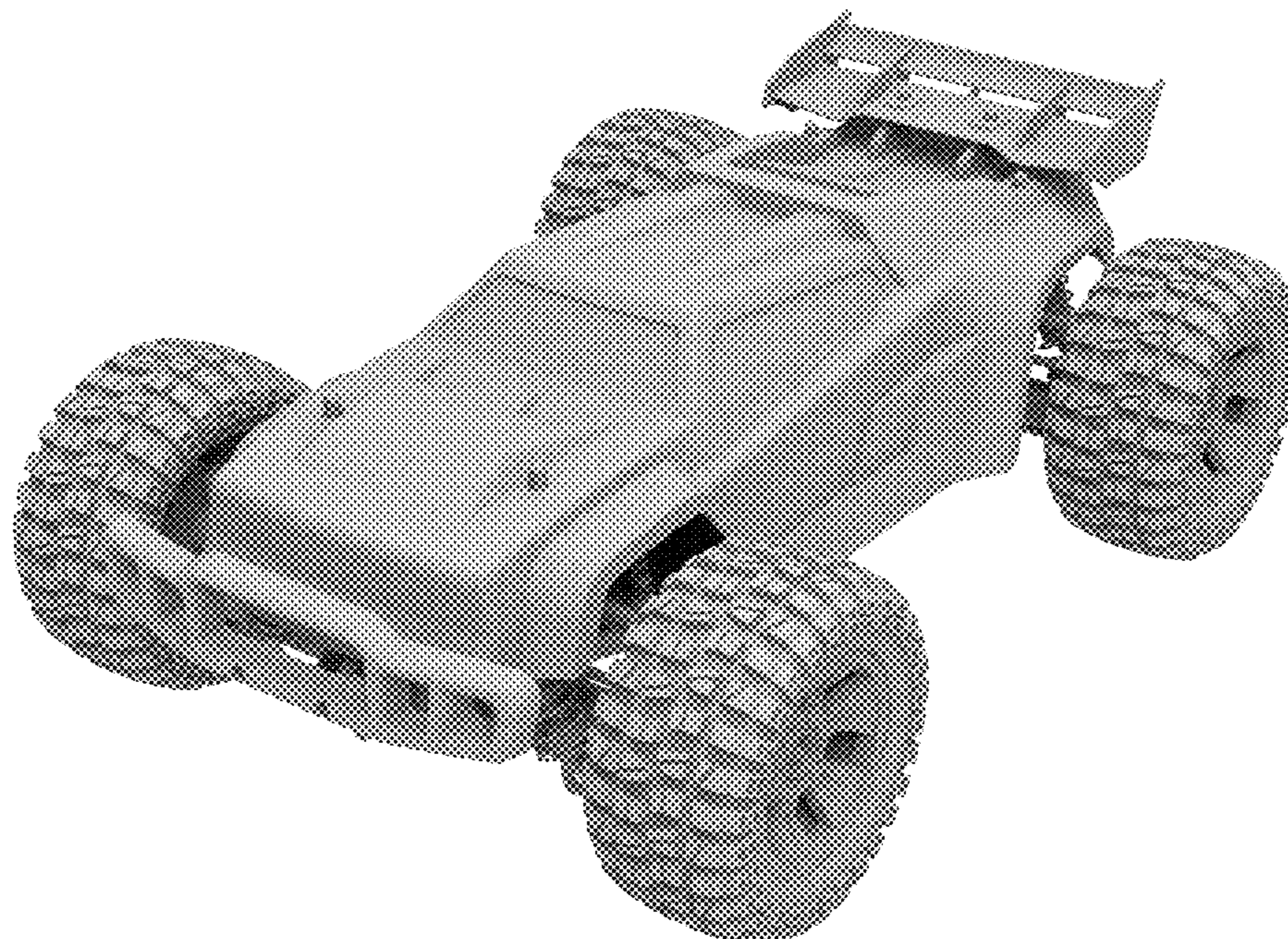
(57) **CLAIM**

The ornamental design for a toy car, as shown and described.

**DESCRIPTION**

FIG. 1 is a front, top perspective view of a toy car showing my new design;  
FIG. 2 is a rear, bottom perspective view thereof;  
FIG. 3 is a front view thereof;  
FIG. 4 is a rear view thereof;  
FIG. 5 is a left side view thereof;  
FIG. 6 is a right side view thereof;  
FIG. 7 is a top view thereof; and,  
FIG. 8 is a bottom view thereof.

**1 Claim, 8 Drawing Sheets**



(56)

**References Cited**

OTHER PUBLICATIONS

Deerc-9206E Remote Control Car, available on Amazon, [site visited Oct. 4, 2021], Available URL: <https://www.amazon.com/DEERC-9206E-Remote-Control-Car/dp/B08BNW649C/> (Year: 2020).\*

RC Racing Car, available on Amazon, [site visited Oct. 5, 2021], Available URL: <https://www.amazon.com/Racing-2-4Ghz-Speed-Remote-Control/dp/B07X8773JJ/> (Year: 2021).\*

1/14 Off Road RC Car, available on AliExpress, [site visited Oct. 5, 2021], Available URL: <https://www.aliexpress.com/item/4000318614398.html> (Year: 2021).\*

IMEX Ninja, available on Imexrc.com, [site visited Oct. 5, 2021], Available URL: <https://www.imexrc.com/products/imex-ninja-1-16th-scale-brushless-rtr-4wd-monster-truck> (Year: 2021).\*

\* cited by examiner

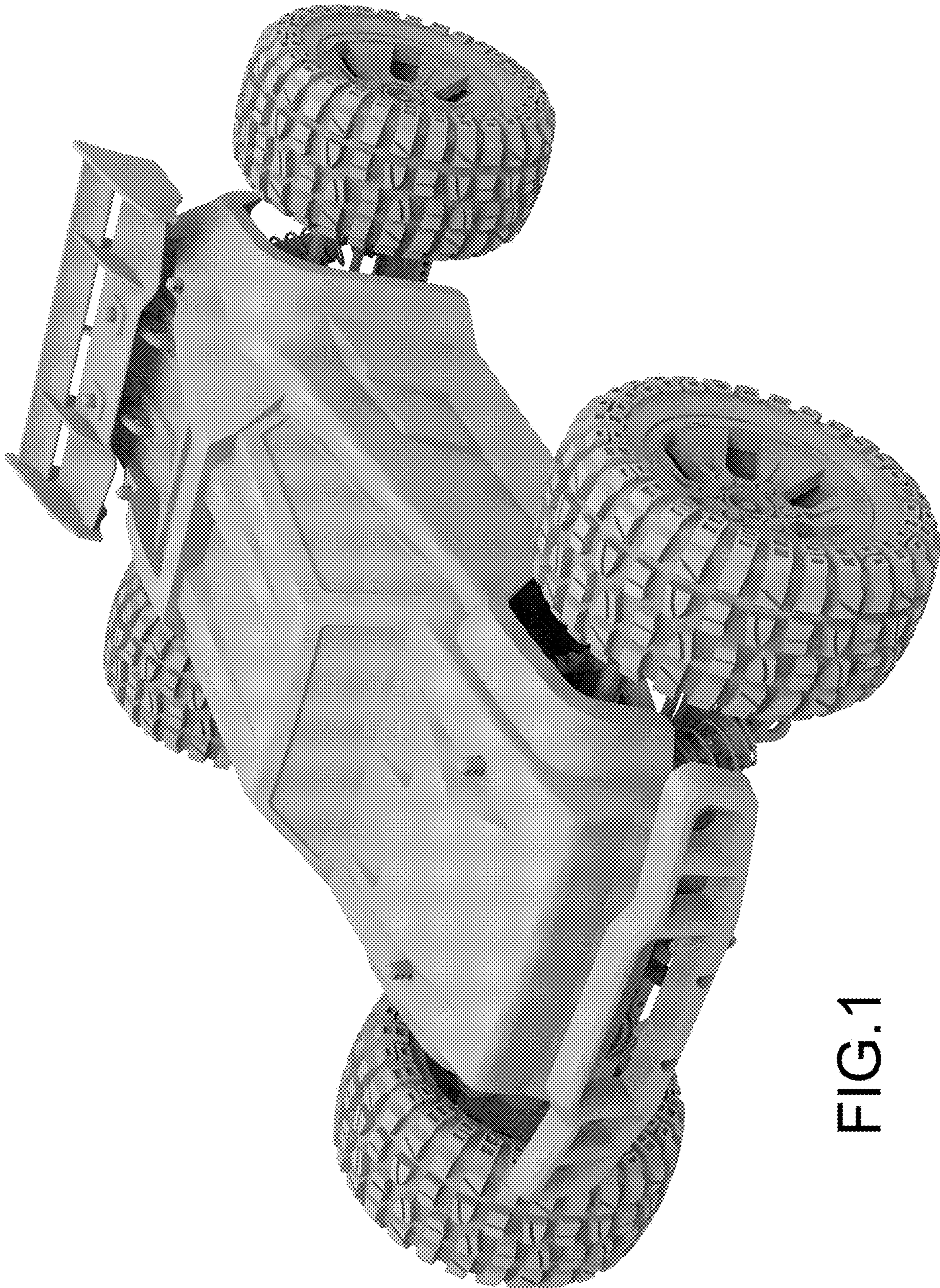


FIG.1

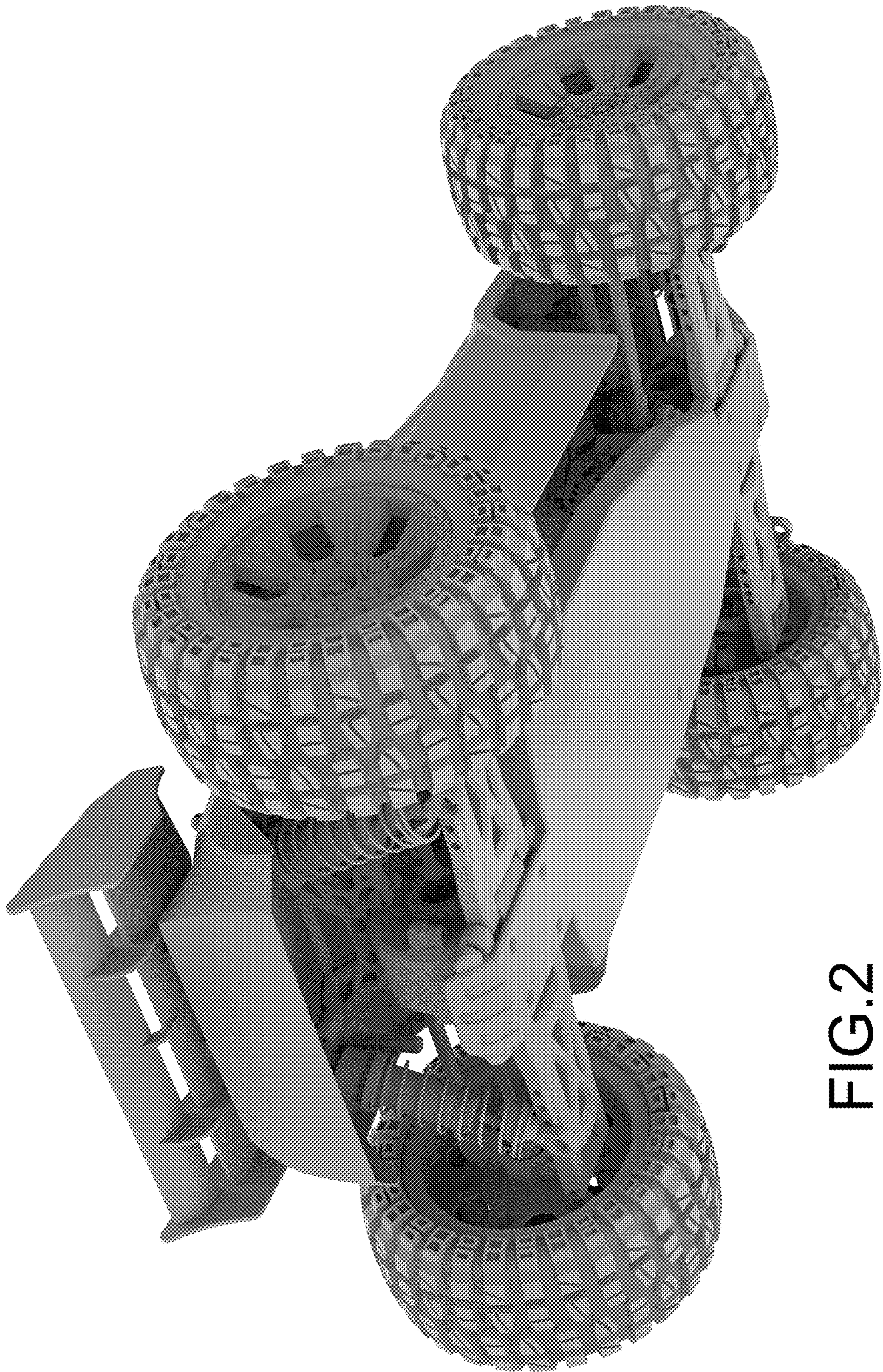


FIG.2

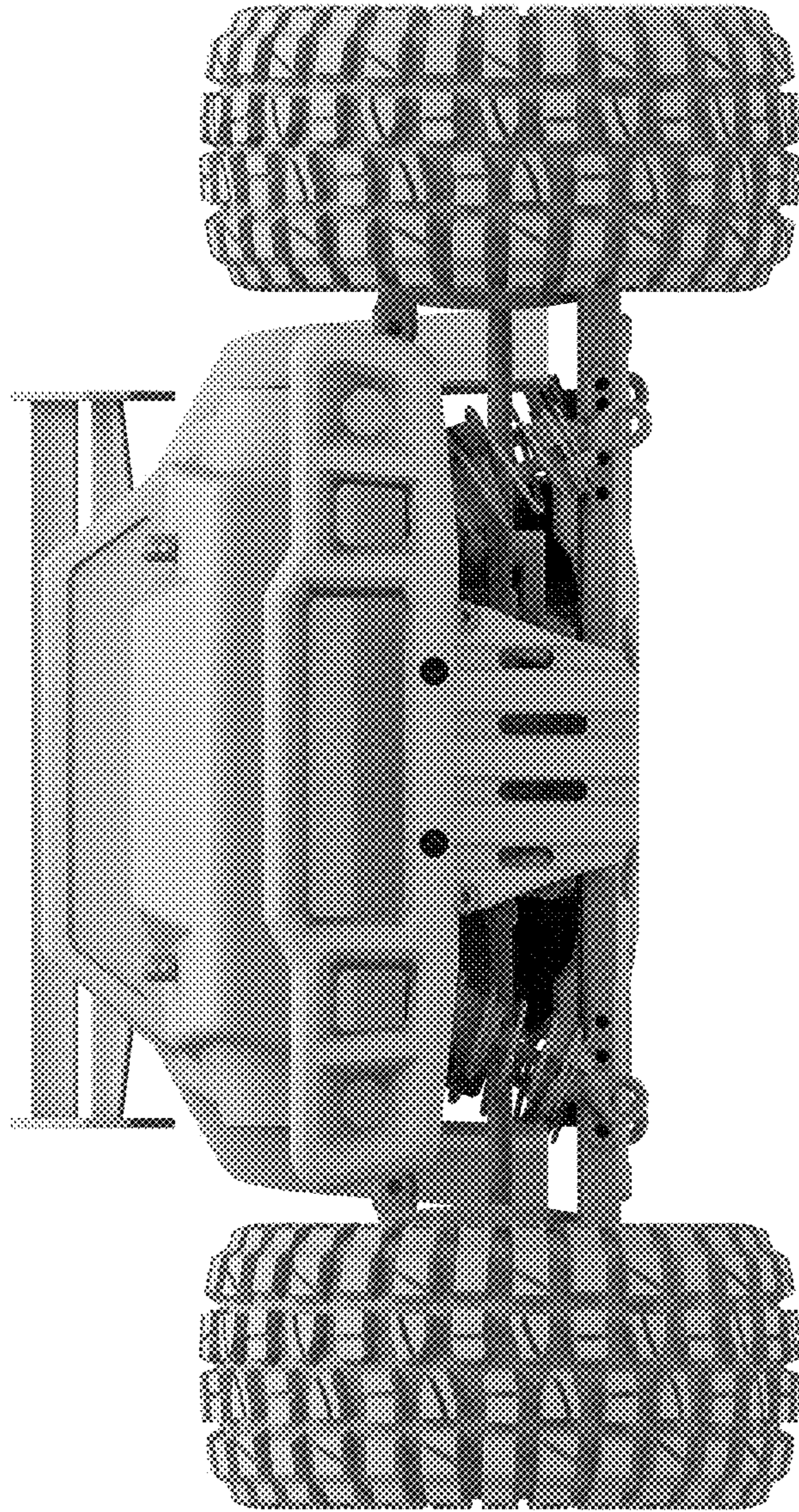


FIG.3

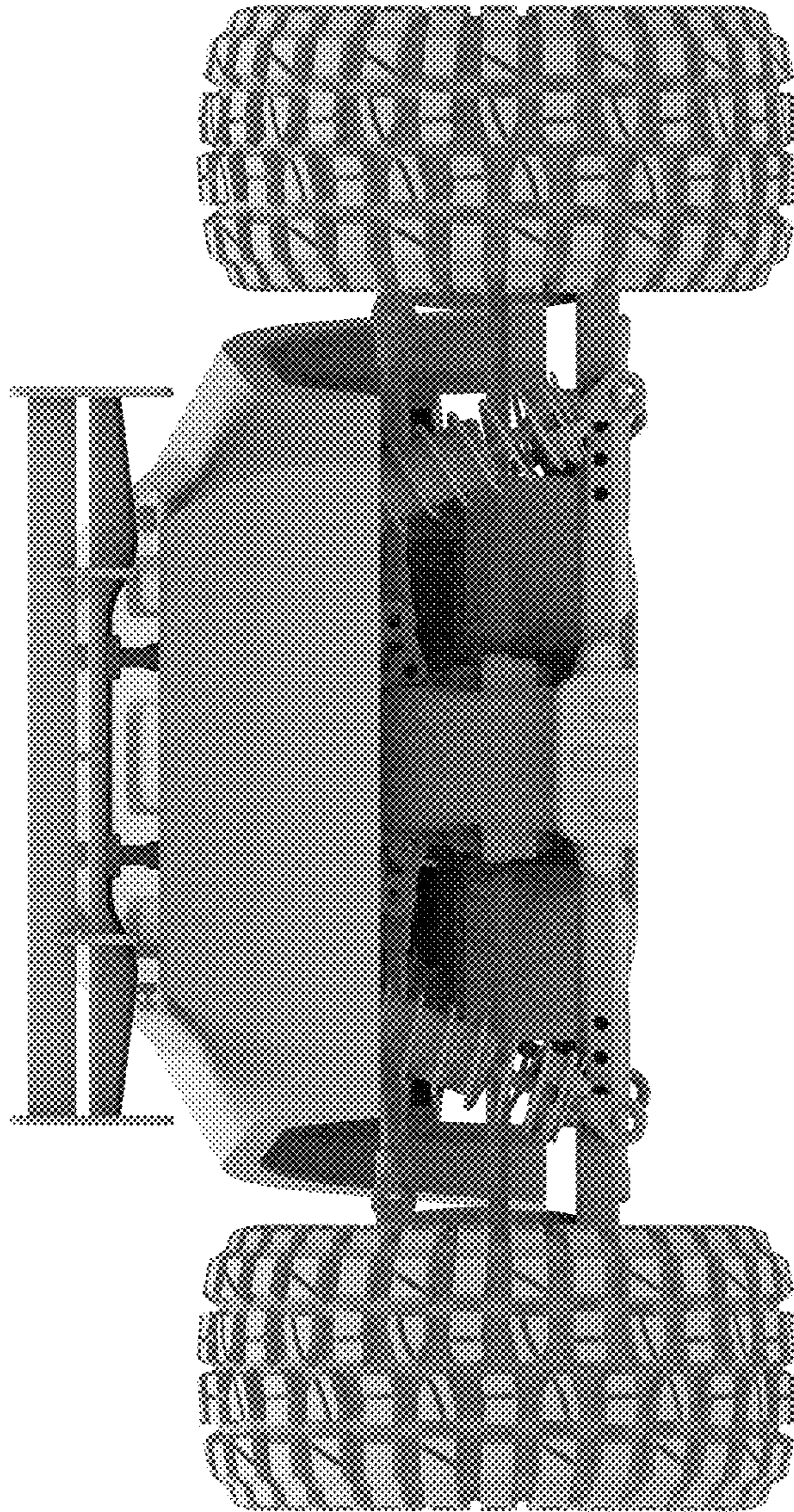


FIG.4

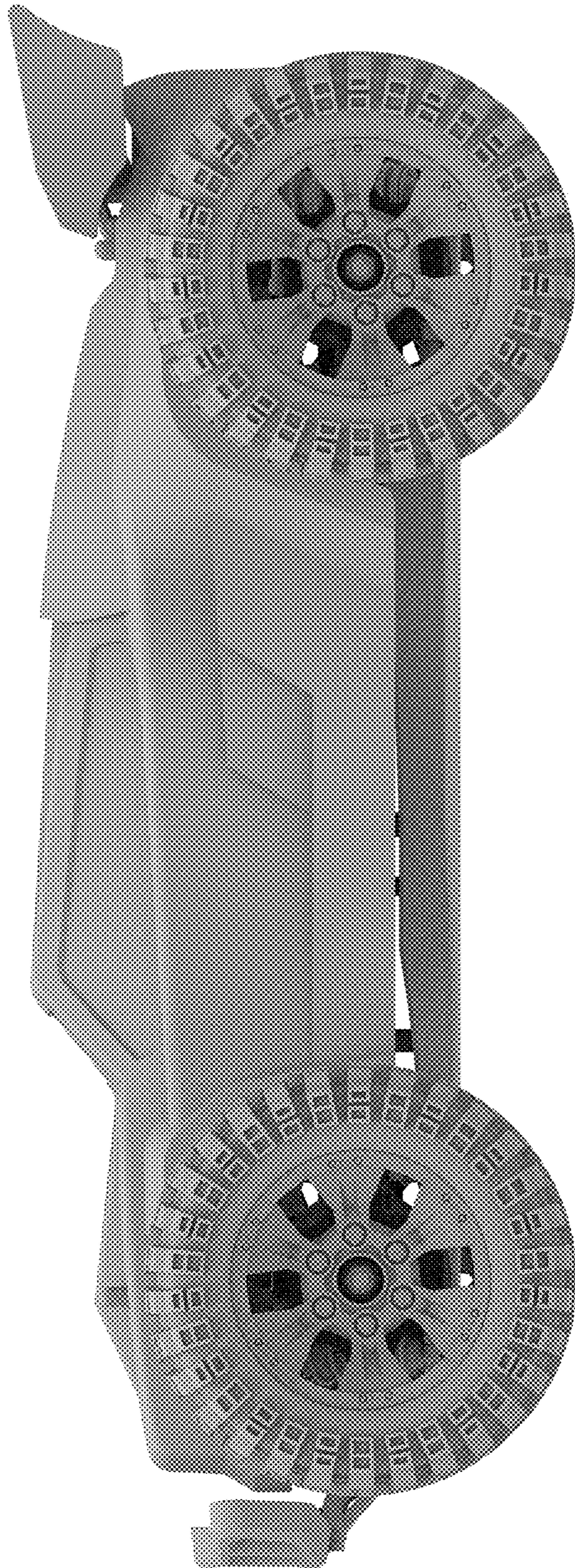


FIG.5

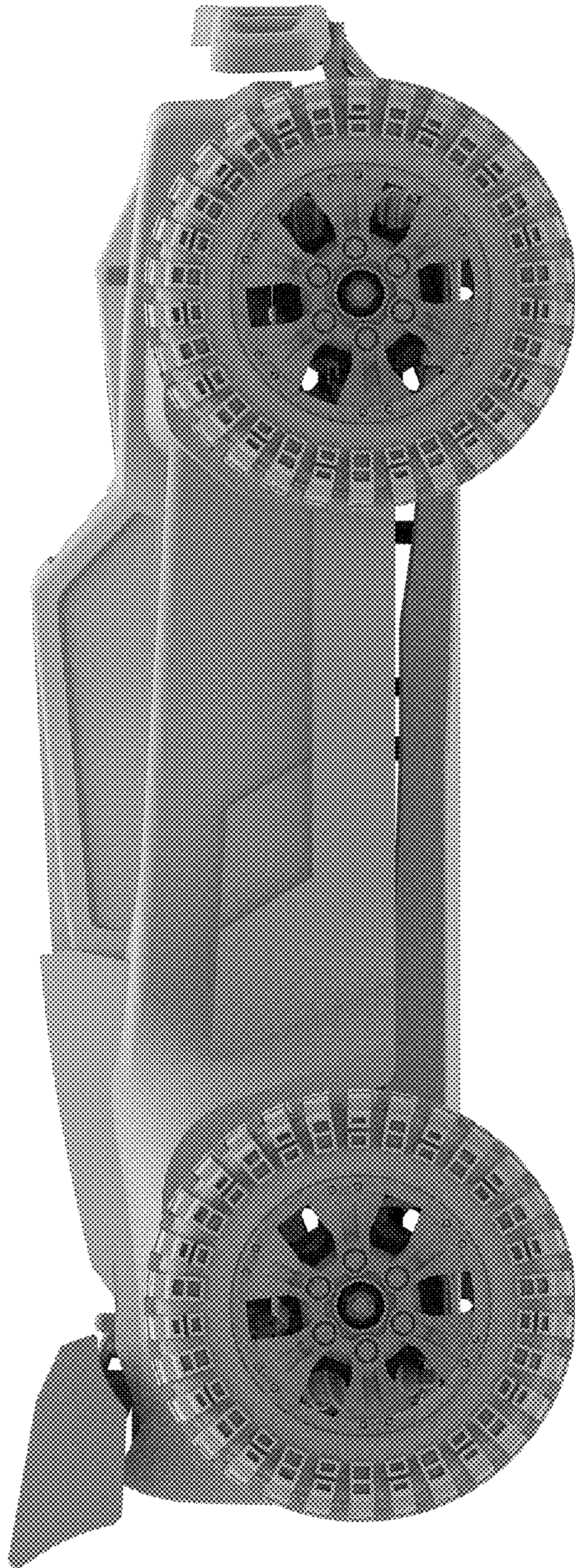


FIG.6



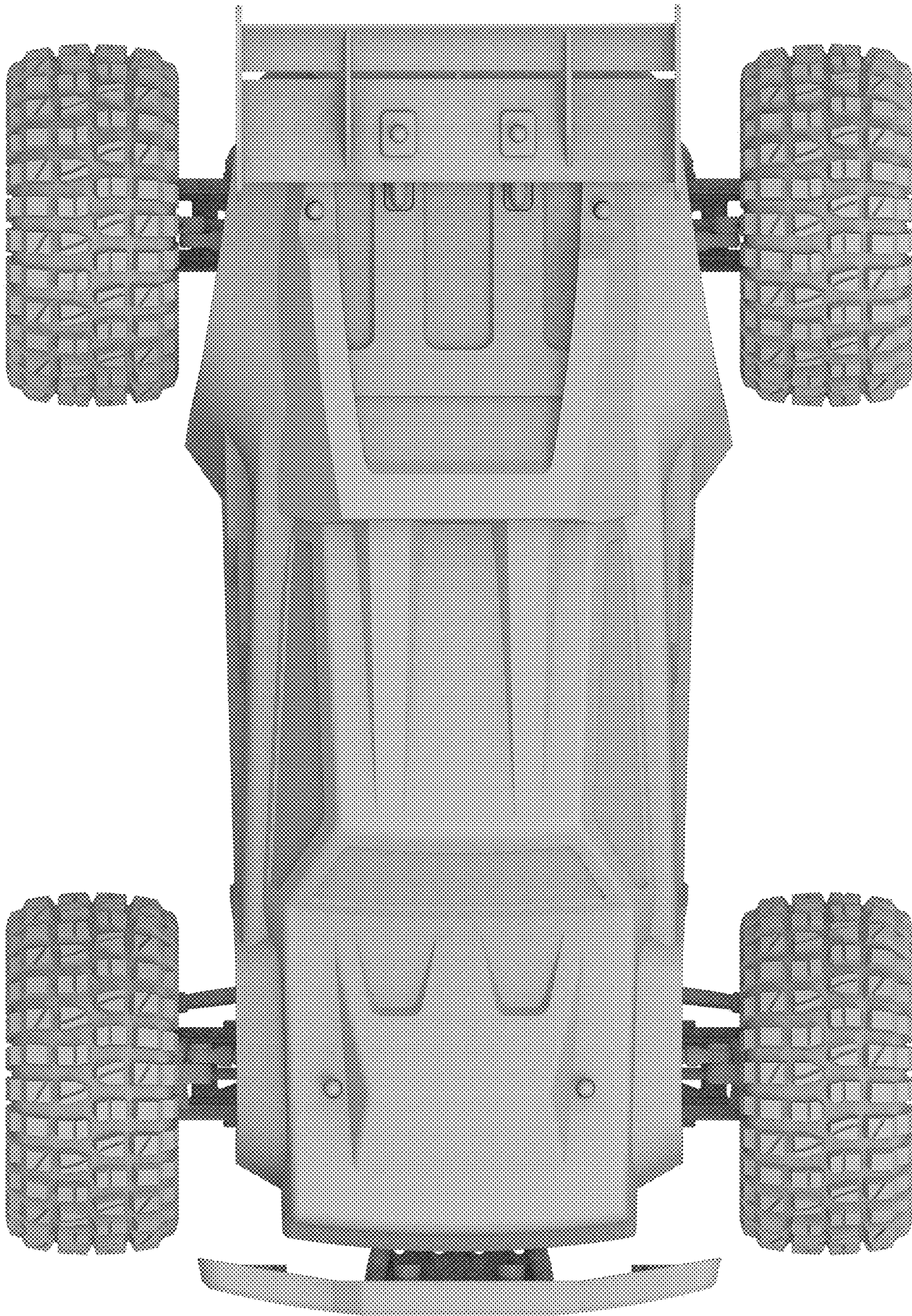


FIG.7

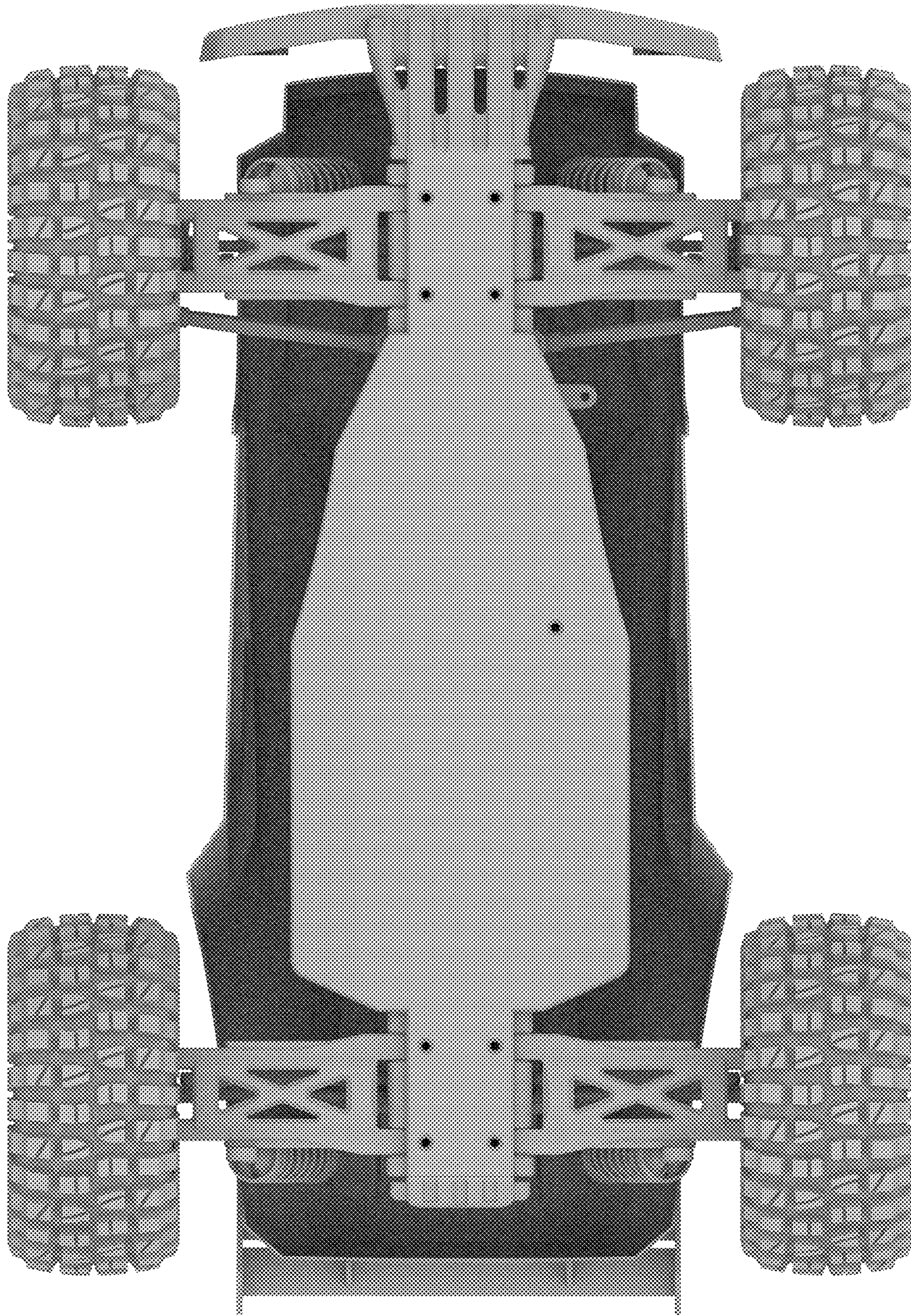


FIG.8