



US00D940247S

(12) **United States Design Patent** (10) **Patent No.:** **US D940,247 S**  
**Gibson et al.** (45) **Date of Patent:** **\*\* \*Jan. 4, 2022**

- (54) **GAMING MACHINE**
- (71) Applicant: **Everi Games, Inc.**, Austin, TX (US)
- (72) Inventors: **Daniel C. Gibson**, Austin, TX (US);  
**Travis B. Bussey**, Austin, TX (US);  
**Ryan Greene**, Austin, TX (US); **Steven A. Weiss**, Henderson, NV (US)
- (73) Assignee: **Everi Games, Inc.**, Austin, TX (US)
- (\*) Notice: This patent is subject to a terminal disclaimer.
- (\*\*) Term: **15 Years**
- (21) Appl. No.: **29/709,283**
- (22) Filed: **Oct. 13, 2019**
- (51) **LOC (13) Cl.** ..... **21-03**
- (52) **U.S. Cl.**  
USPC ..... **D21/369**
- (58) **Field of Classification Search**  
USPC ..... D21/329, 332, 333, 365, 385, 694, 371,  
D21/325, 324, 336, 369; D6/300, 301,  
D6/302, 308, 332, 650, 650.1, 668, 670,  
D6/691.3, 703.1, 705.1  
CPC ..... A63F 59/04  
See application file for complete search history.

D740,571 S *	10/2015	Gorham	.....	D6/300
D788,725 S *	6/2017	Tompkin	.....	D14/127
D846,649 S *	4/2019	Schoonmaker	.....	D21/369
D868,714 S *	12/2019	Hodgson	.....	D14/127
D868,719 S *	12/2019	Hodgson	.....	D14/127
D877,810 S *	3/2020	Nelson	.....	D21/369
D888,159 S *	6/2020	Schoonmaker	.....	D21/369
D890,265 S *	7/2020	Johnson	.....	D21/369
2013/0157757 A1 *	6/2013	Riggs	.....	G07F 17/3258 463/27

\* cited by examiner

*Primary Examiner* — Khawaja Anwar  
*Assistant Examiner* — Julice Seung Eun Oum  
(74) *Attorney, Agent, or Firm* — The Culbertson Group, P.C.; Russell D. Culbertson

(57) **CLAIM**

The ornamental design for a gaming machine, as shown and described.

**DESCRIPTION**

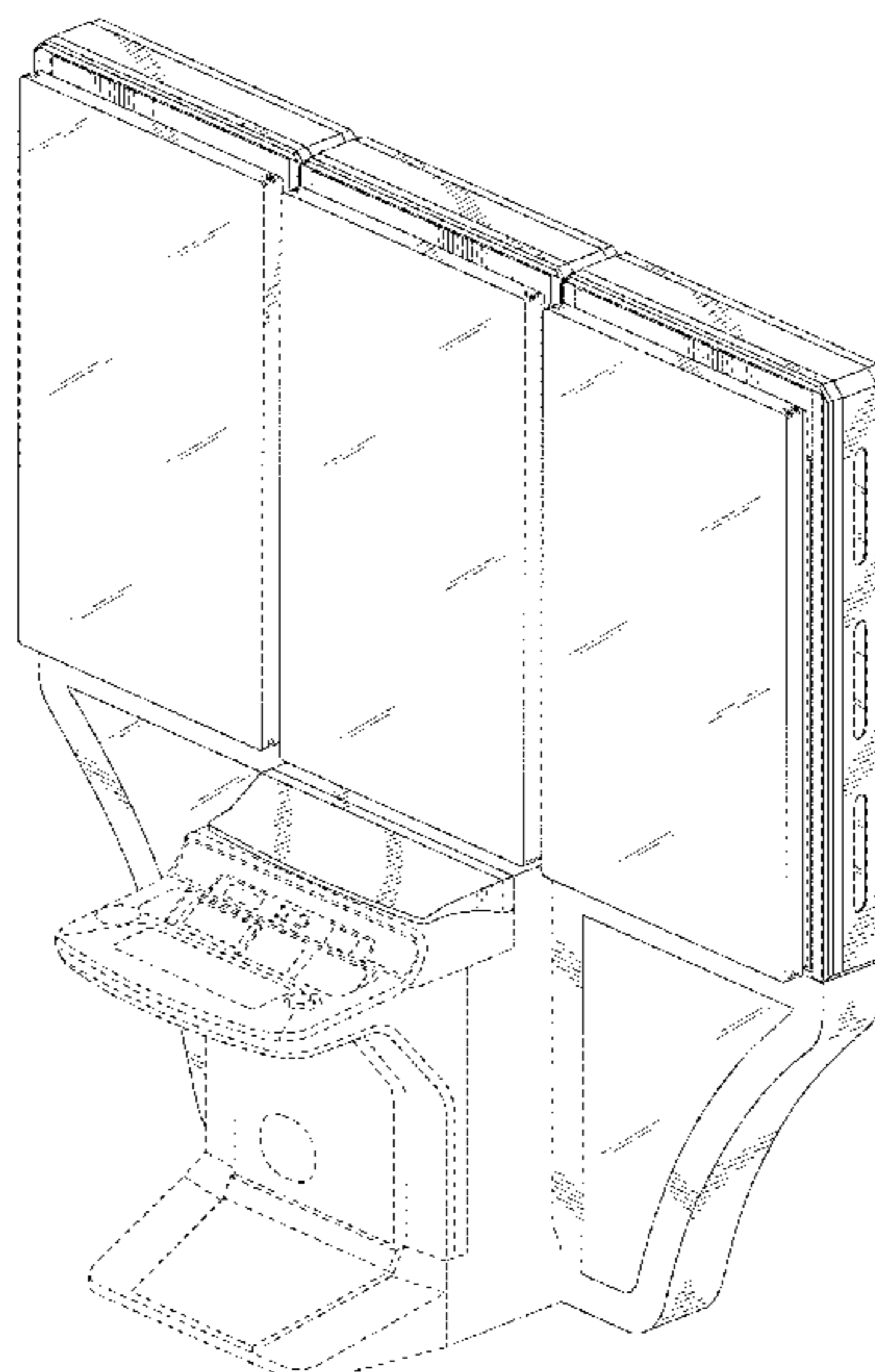
FIG. 1 is a perspective view from above of a gaming machine showing the design.  
FIG. 2 is a front view of the gaming machine shown in FIG. 1.  
FIG. 3 is a back view of the gaming machine shown in FIG. 1.  
FIG. 4 is a right side view of the gaming machine shown in FIG. 1.  
FIG. 5 is a left side view of the gaming machine shown in FIG. 1.  
FIG. 6 is a top view of the gaming machine shown in FIG. 1; and,  
FIG. 7 is a bottom view of the gaming machine shown in FIG. 1.  
The evenly spaced broken lines shown in the drawings depict environmental structure and form no part of the claimed design.

**1 Claim, 5 Drawing Sheets**

(56) **References Cited**

U.S. PATENT DOCUMENTS

5,537,766 A *	7/1996	Nickens	.....	G09F 15/0068 160/135
D391,773 S *	3/1998	Zaidman	.....	D6/301
D392,114 S *	3/1998	Thorp	.....	D6/332
D405,976 S *	2/1999	Beall	.....	D20/10
D560,072 S *	1/2008	Willis	.....	D6/332
D640,883 S *	7/2011	Colfer	.....	D6/650
D648,549 S *	11/2011	Pili	.....	D6/332
D658,717 S *	5/2012	Parizek	.....	D20/10
D705,363 S *	5/2014	Inoue	.....	D21/369



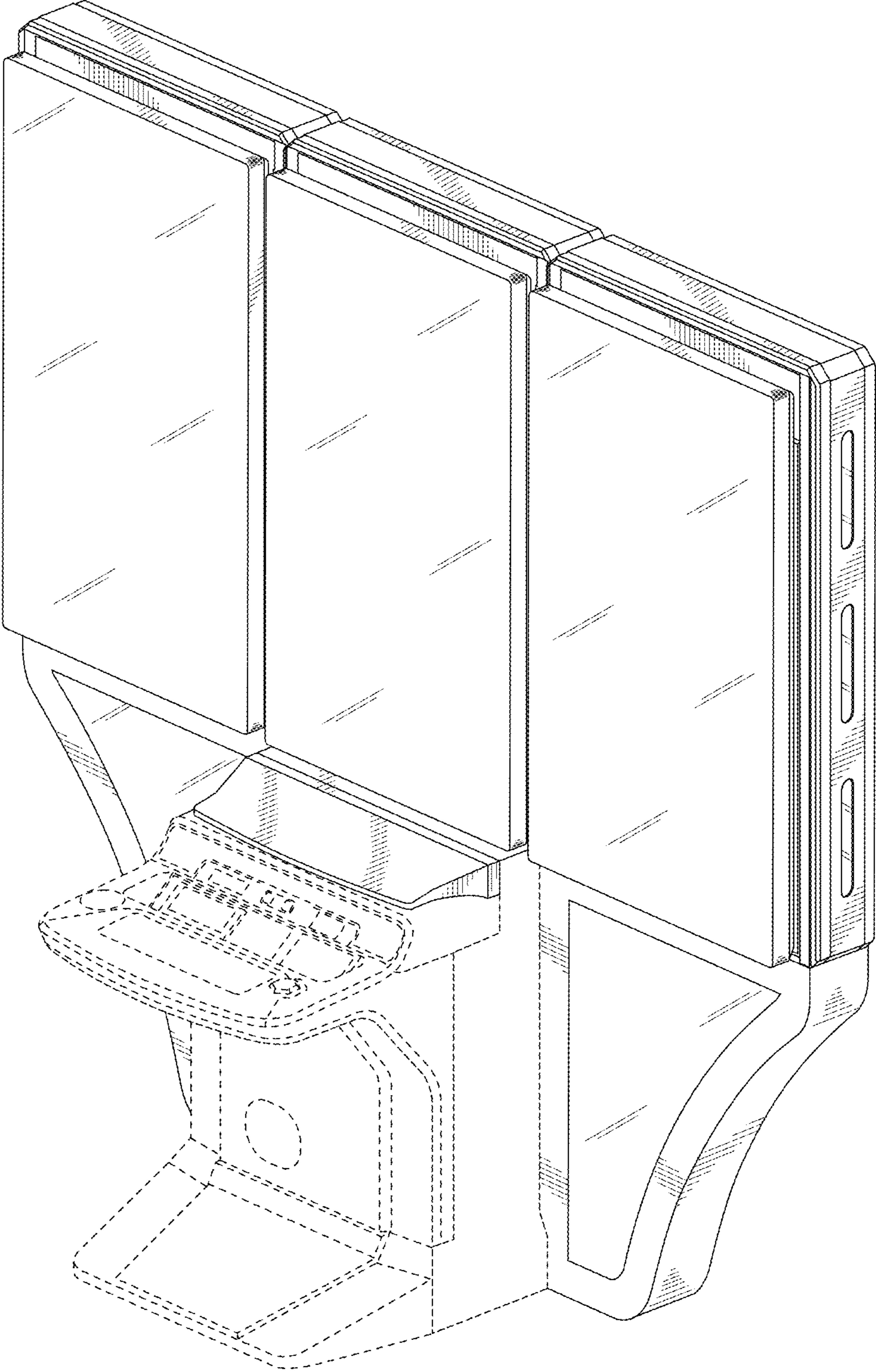


FIG. 1

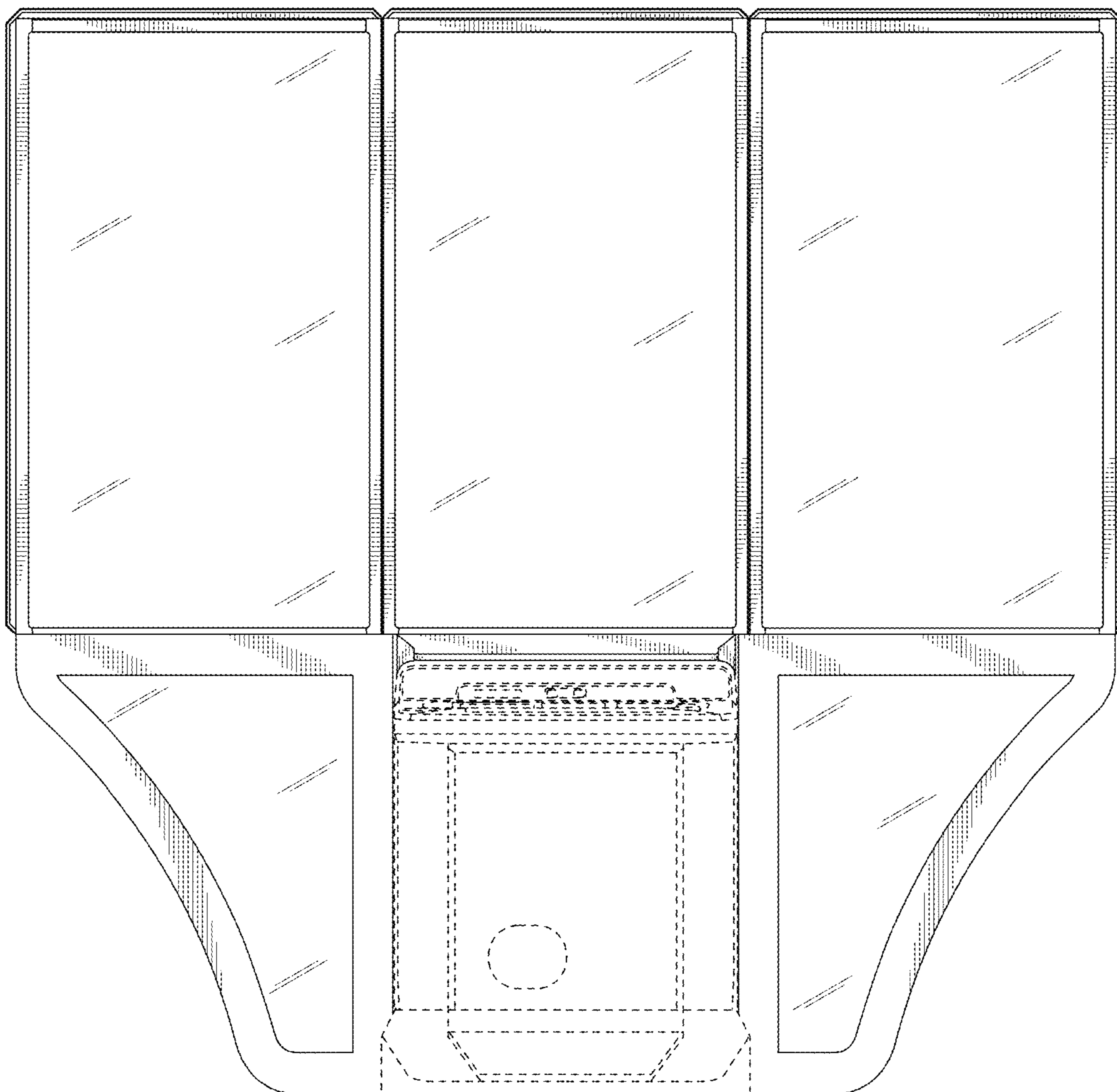
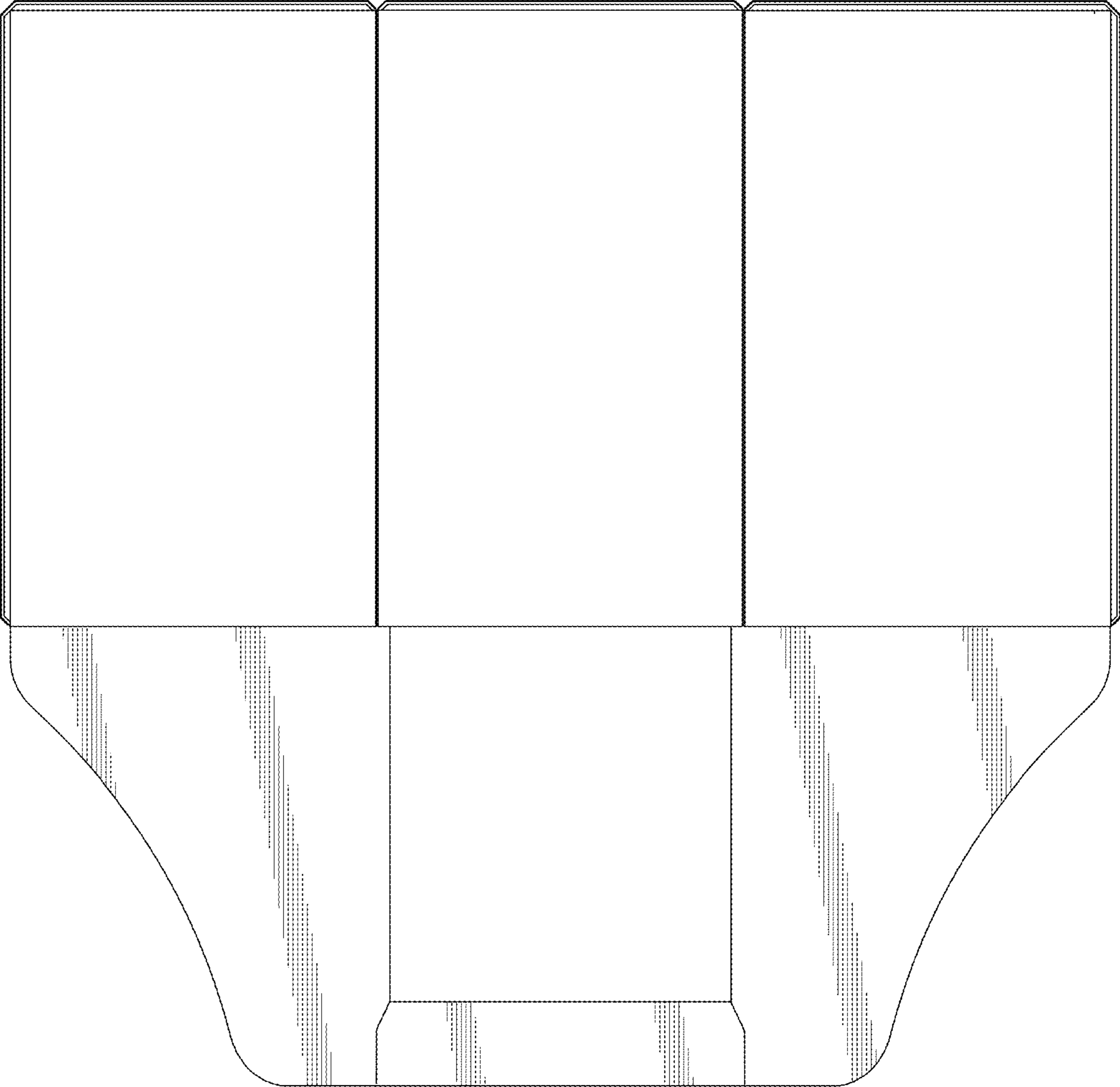


FIG. 2



**FIG. 3**

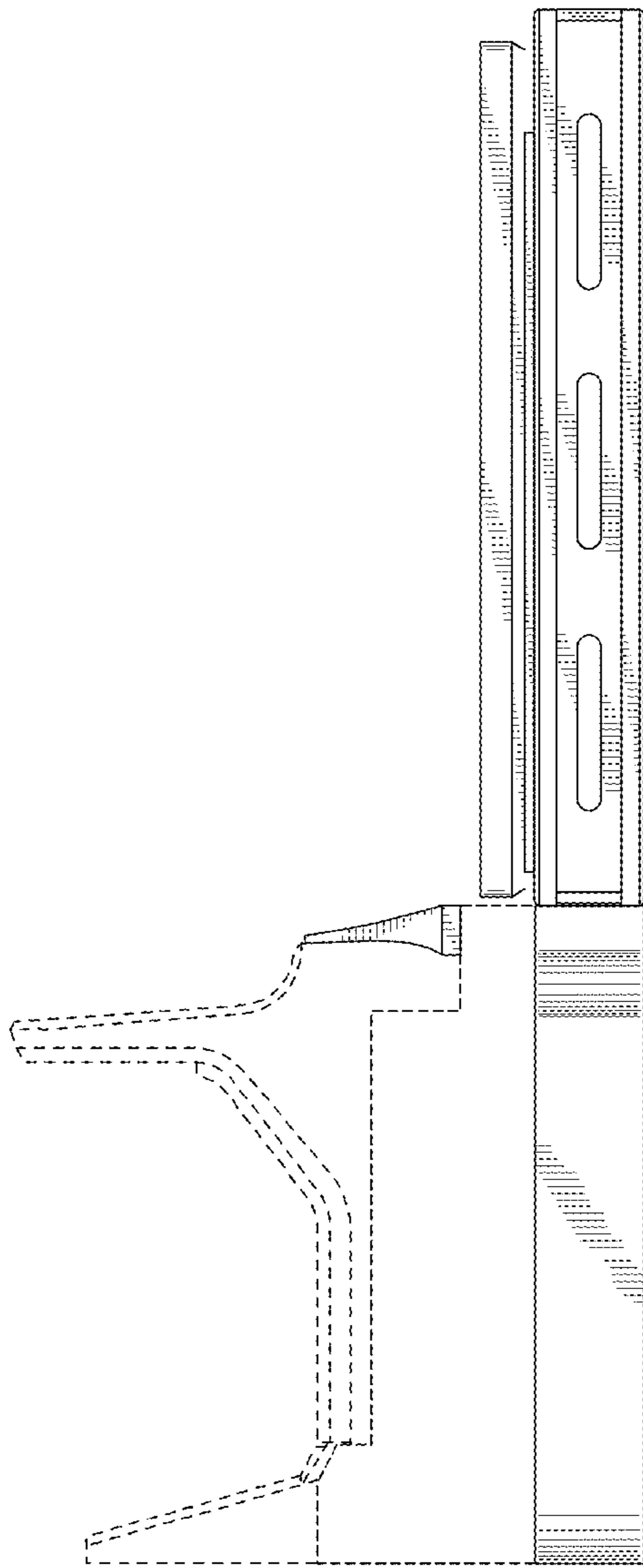


FIG. 4

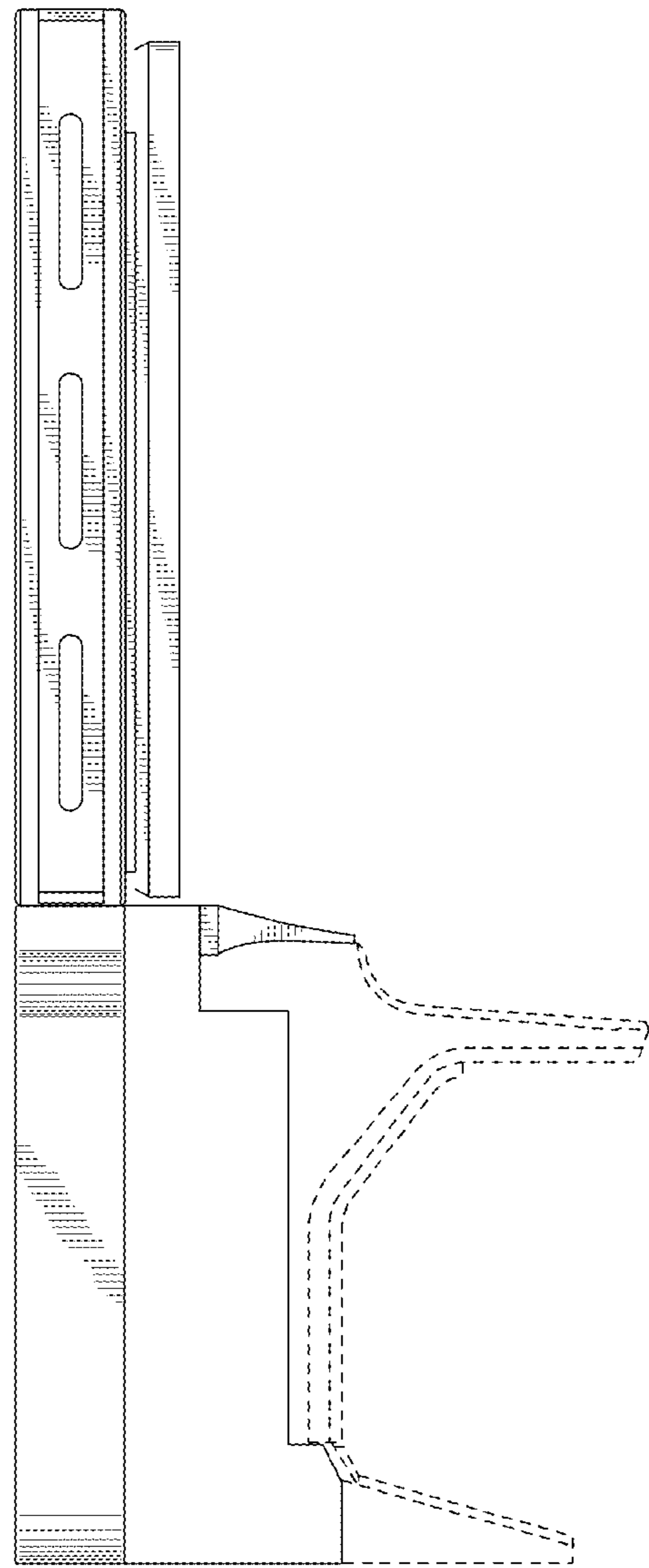
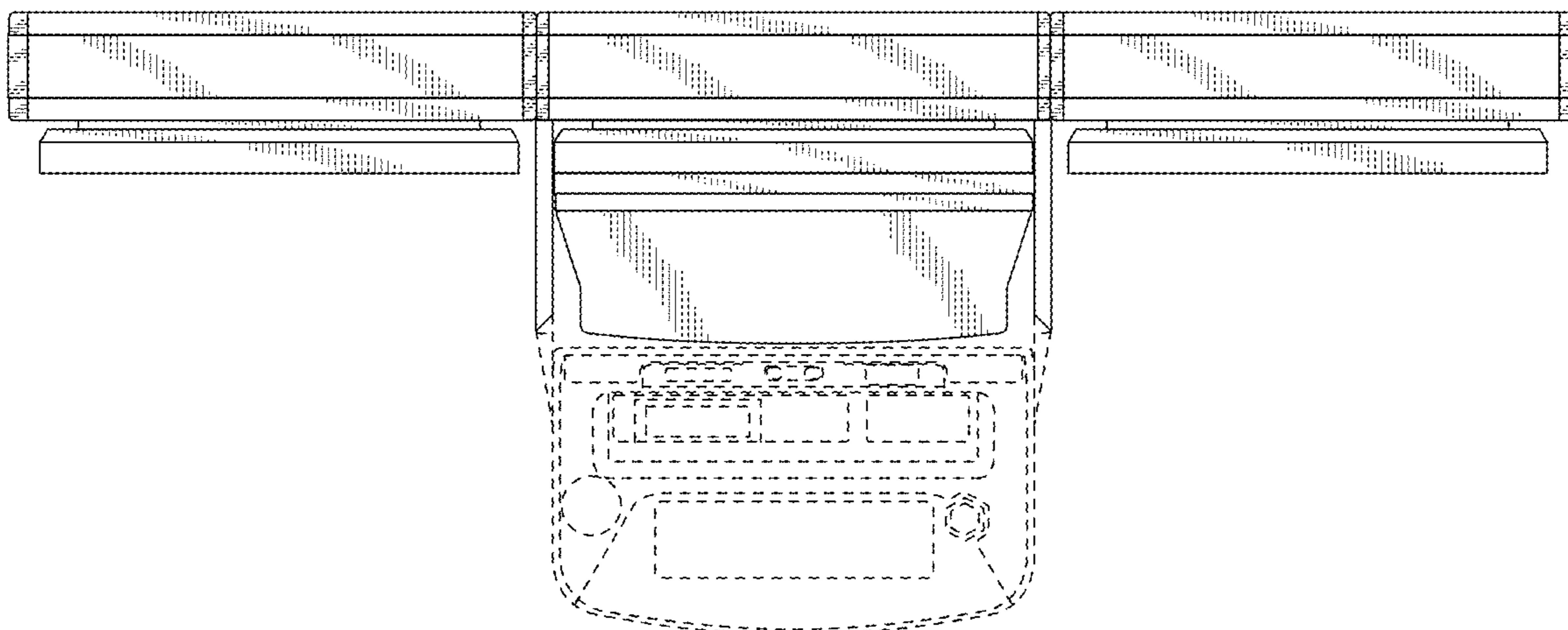
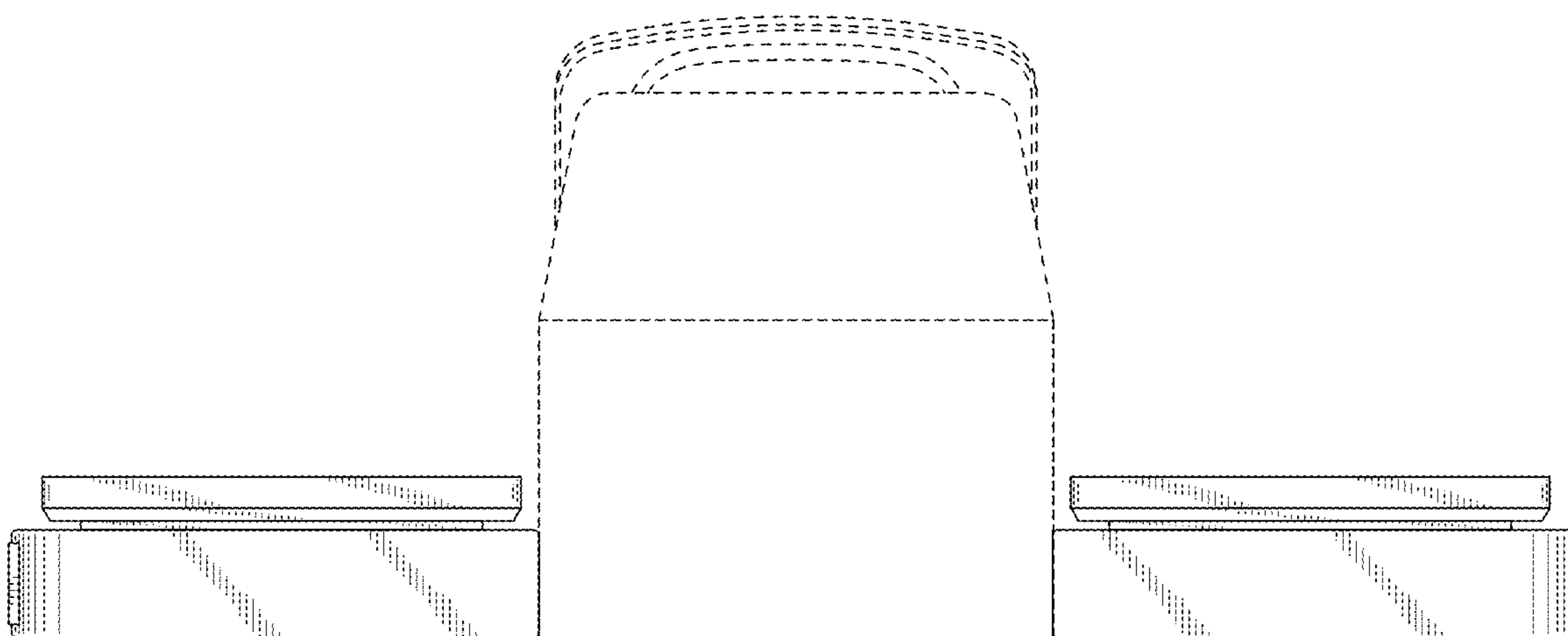


FIG. 5



**FIG. 6**



**FIG. 7**