

US00D940246S

(12) **United States Design Patent**
Colvin et al.

(10) **Patent No.:** **US D940,246 S**
(45) **Date of Patent:** **** Jan. 4, 2022**

(54) **ELECTRONIC GAMING MACHINE
STAR-SHAPED WHEEL TOPPER DISPLAY
HOUSING**

D580,184 S * 11/2008 Svendsen D6/309
7,614,949 B2 * 11/2009 Anderson G07F 17/32
273/138.2
D665,853 S * 8/2012 DeSimone D21/370

(71) Applicant: **GAMING ARTS, LLC**, Las Vegas, NV
(US)

Primary Examiner — Khawaja Anwar

(72) Inventors: **David Colvin**, Las Vegas, NV (US);
Eric D. Colvin, Las Vegas, NV (US)

Assistant Examiner — Julice Seung Eun Oum

(73) Assignee: **Gaming Arts, LLC**, Las Vegas, NV
(US)

(74) *Attorney, Agent, or Firm* — FisherBroyles, LLP; Rob
L. Phillips

(**) Term: **15 Years**

(57) **CLAIM**

The ornamental design for an electronic gaming machine
star-shaped wheel topper display housing, as shown and
described.

(21) Appl. No.: **29/708,654**

DESCRIPTION

(22) Filed: **Oct. 8, 2019**

(51) **LOC (13) Cl.** **21-03**

(52) **U.S. Cl.**
USPC **D21/369**

(58) **Field of Classification Search**
USPC D21/369, 308, 324, 333, 334, 366, 367,
D21/392, 395, 397, 300, 371, 374, 376,
D21/380, 385, 363, 365, 325, 329
CPC G07F 17/321; G07F 17/3213
See application file for complete search history.

FIG. 1 is a perspective view of a first embodiment of an
electronic gaming machine wheel topper, showing our new
design;

FIG. 2 is a perspective view thereof;
FIG. 3 is a front elevational view thereof;
FIG. 4 is a rear elevational view thereof;
FIG. 5 is a top plan view thereof;
FIG. 6 is a bottom plan view of;
FIG. 7 is a right side view thereof;
FIG. 8 is a left side view thereof;

(56) **References Cited**

U.S. PATENT DOCUMENTS

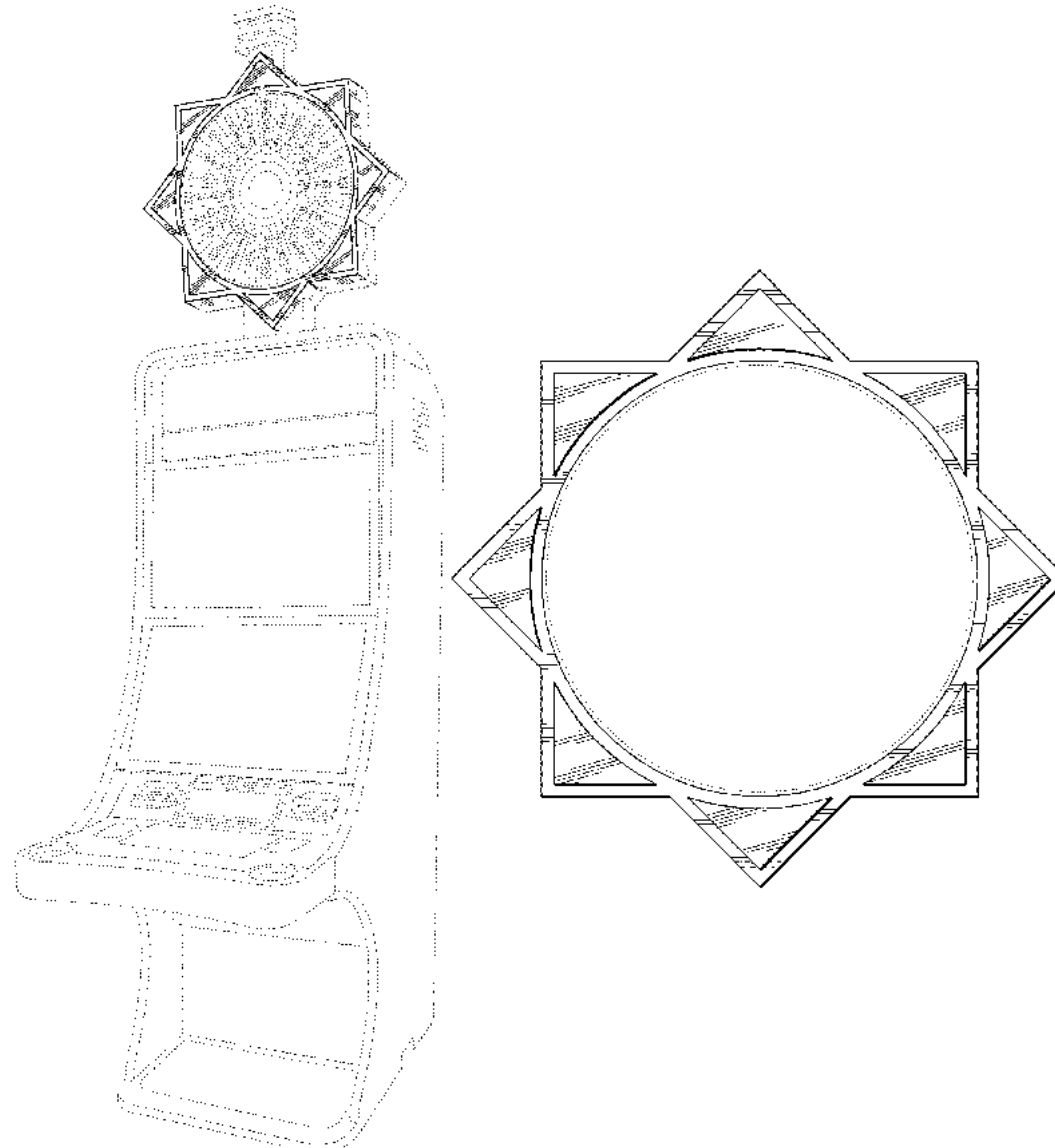
D15,850 S * 2/1885 Brownell D6/309
D116,353 S * 8/1939 Silverman D6/309
D334,667 S * 4/1993 Lonczak D6/308
5,997,149 A * 12/1999 Chu A45D 42/10
362/142
D420,058 S * 2/2000 Bouchard D20/41
6,705,944 B2 * 3/2004 Luciano G07F 17/32
273/143 R
D529,724 S * 10/2006 Mohundro D6/309
D530,525 S * 10/2006 Greene, II D6/309
D546,075 S * 7/2007 Kreiss D6/309
D569,919 S * 5/2008 Zielinski D21/370

FIG. 9 is a perspective view of a second embodiment of an
electronic gaming machine wheel topper, showing our new
design;

FIG. 10 is a perspective view thereof;
FIG. 11 is a front elevational view thereof;
FIG. 12 is a rear elevational view thereof;
FIG. 13 is a top plan view thereof;
FIG. 14 is a bottom plan view thereof;
FIG. 15 is a right side view thereof; and,
FIG. 16 is a left side view of.

In the drawings, the broken lines depict environmental
subject matter only and form no part of the claimed design.

1 Claim, 8 Drawing Sheets



(56)

References Cited

U.S. PATENT DOCUMENTS

D681,129	S *	4/2013	DeSimone	D21/370
D689,701	S *	9/2013	Mischel, Jr.	D6/309
D711,874	S *	8/2014	Cope	D14/374
D719,747	S *	12/2014	Mischel, Jr.	D6/309
8,956,216	B1 *	2/2015	LeSourd	G07F 17/3213
					463/20
D814,575	S *	4/2018	Colvin	D21/385
D846,651	S *	4/2019	Colvin	D21/385
D847,906	S *	5/2019	Colvin	D21/385
D899,107	S *	10/2020	Luo	D6/309
2006/0025200	A1 *	2/2006	Van Asdale	G07F 17/3267
					463/20
2012/0122571	A1 *	5/2012	DeSimone	G07F 17/3211
					463/31
2015/0031444	A1 *	1/2015	Colvin	G07F 17/3232
					463/25
2015/0187181	A1 *	7/2015	Link	G07F 17/3255
					463/25
2017/0236382	A1 *	8/2017	Colvin	G07F 17/3211
					463/17
2017/0287262	A1 *	10/2017	Adams	A63F 5/04
2019/0311570	A1 *	10/2019	Lamb	G07F 17/34
2020/0234392	A1 *	7/2020	Edick	G07F 17/3216

* cited by examiner

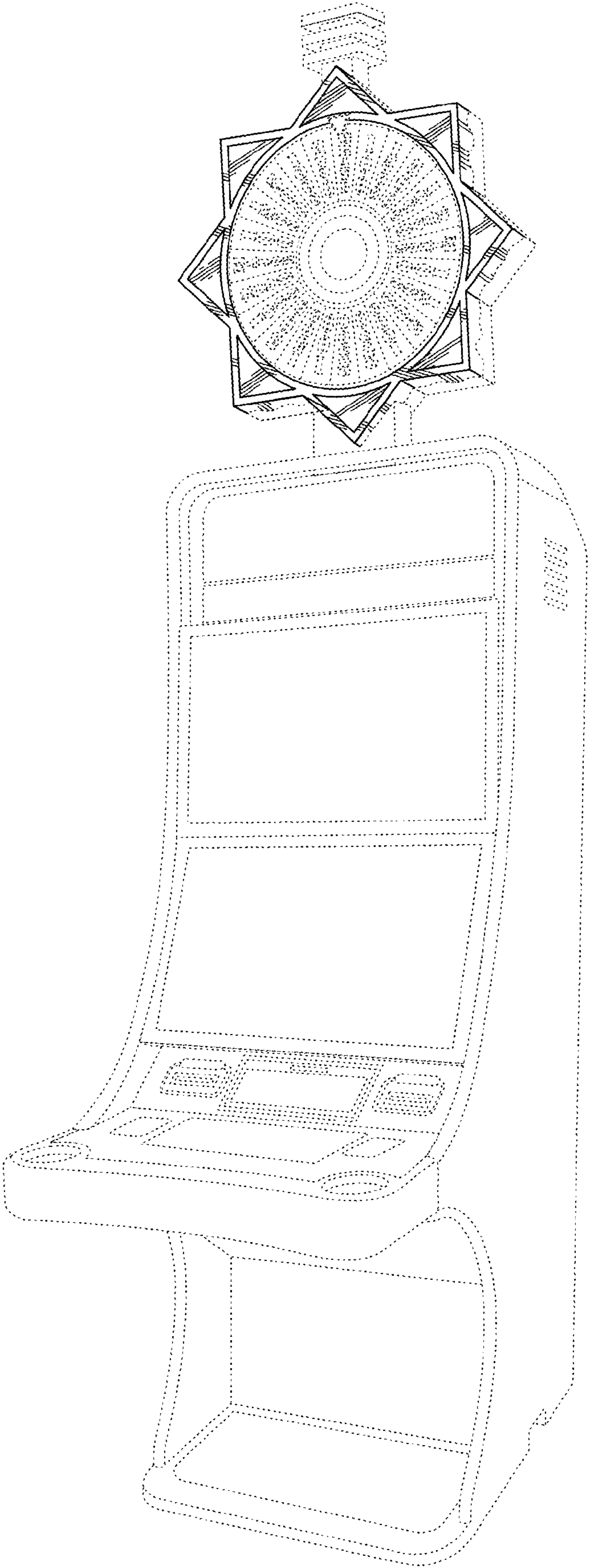


Fig. 1

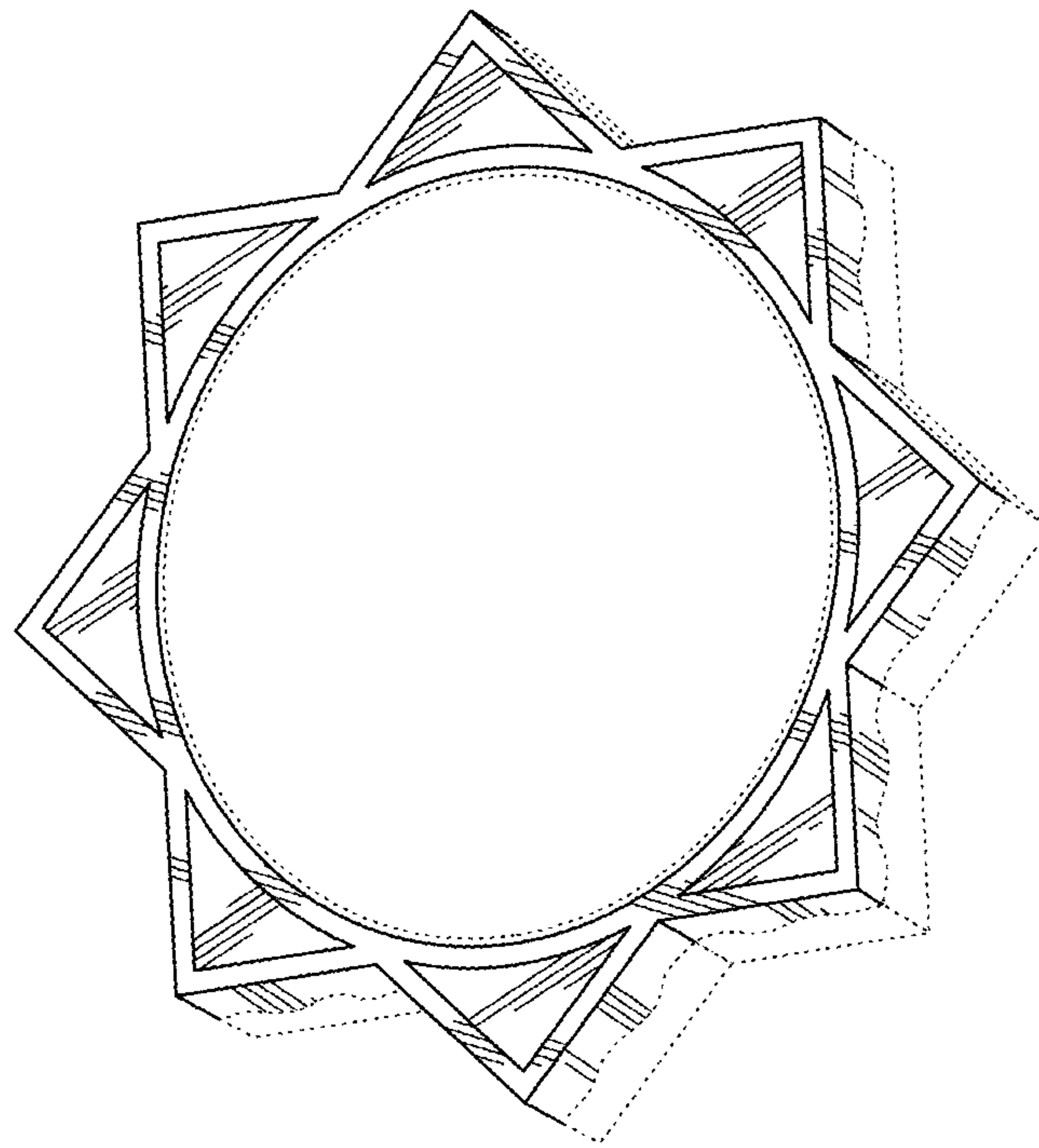


Fig. 2

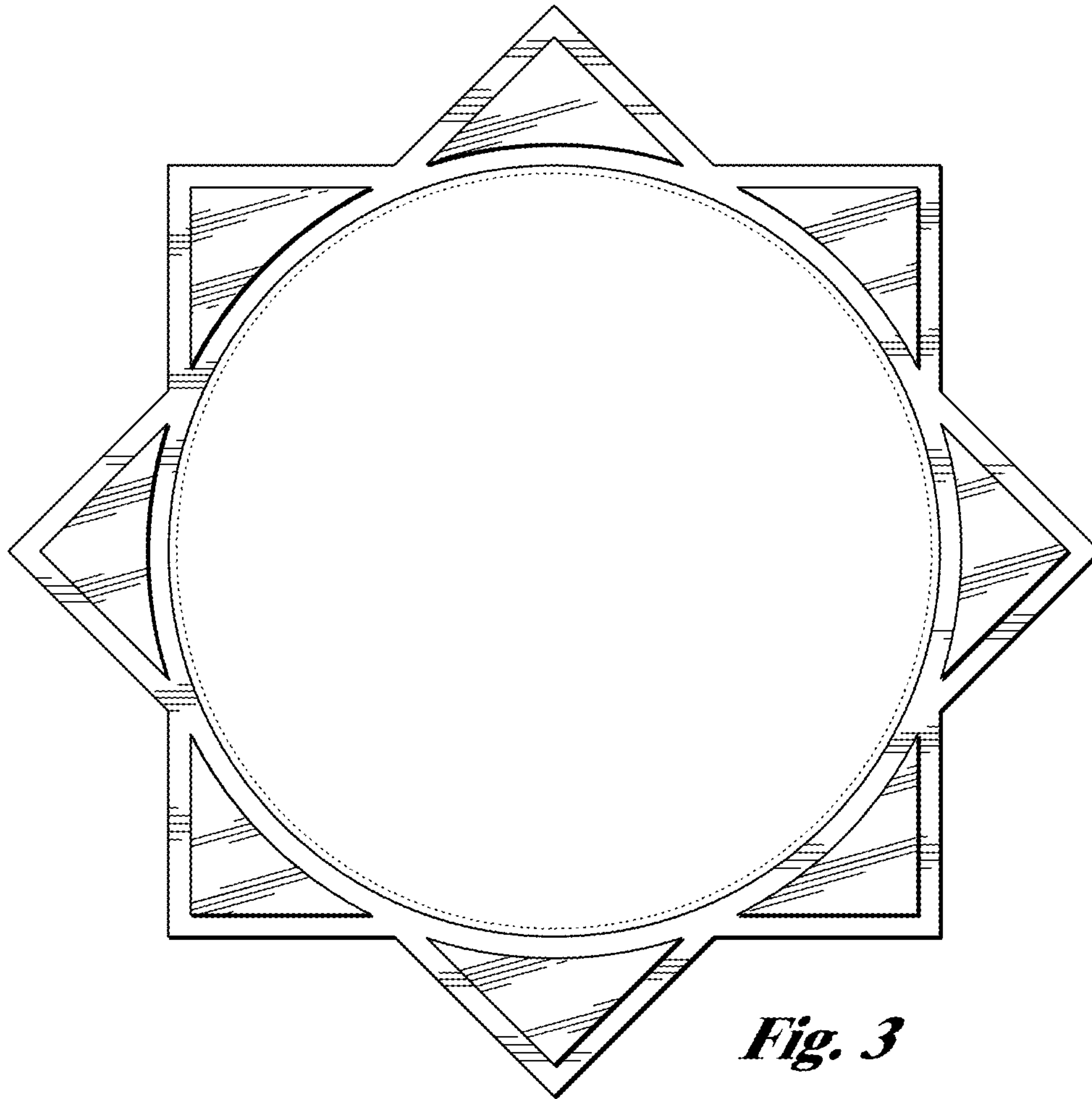


Fig. 3

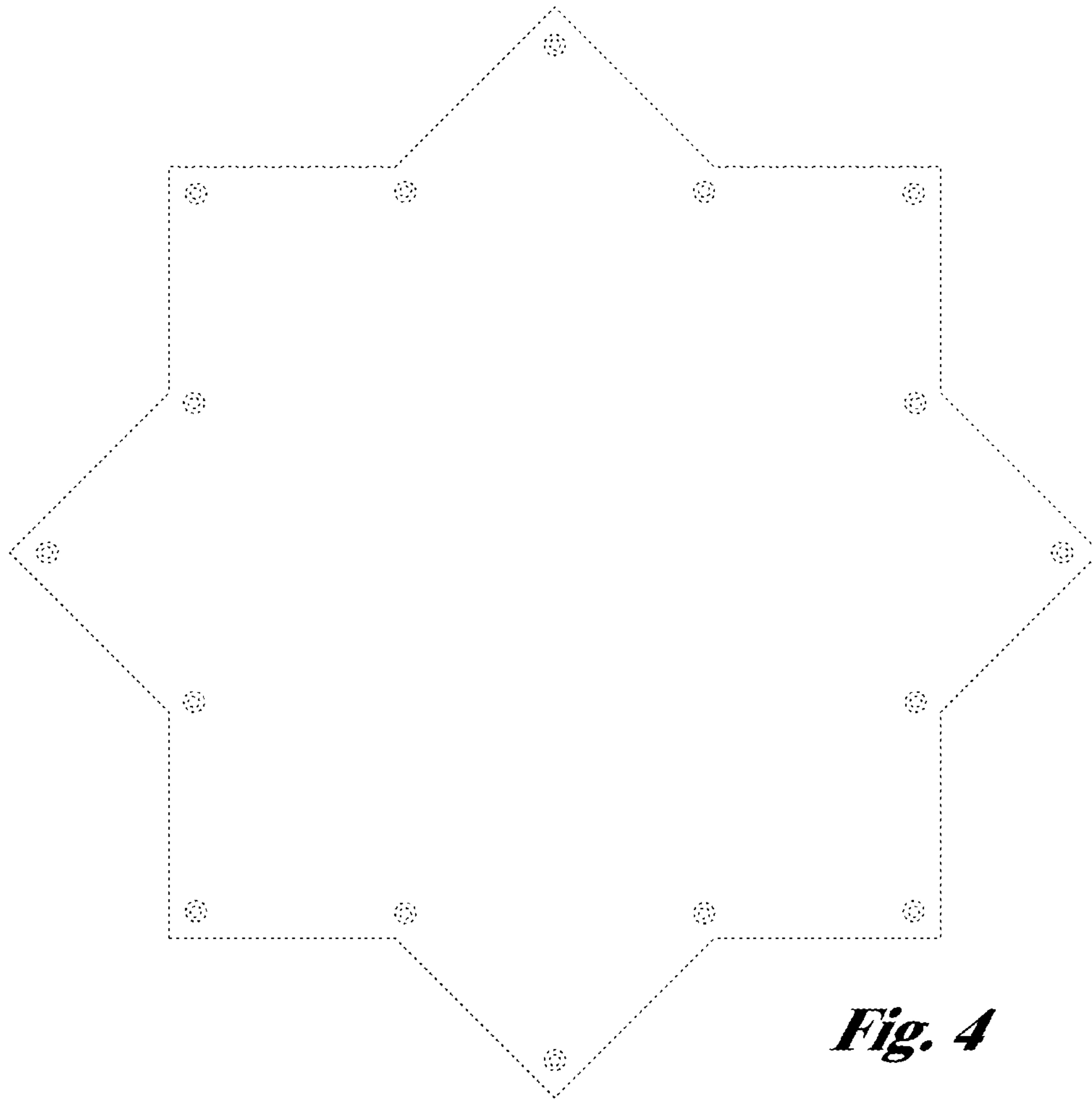


Fig. 4

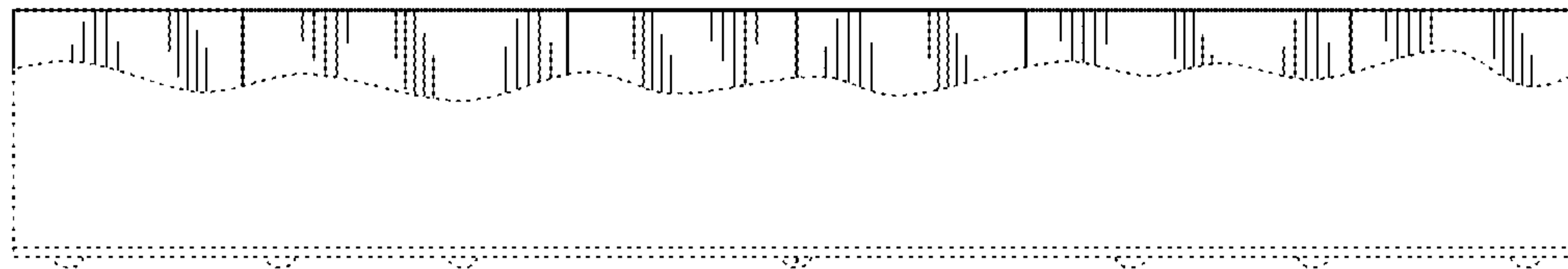


Fig. 5

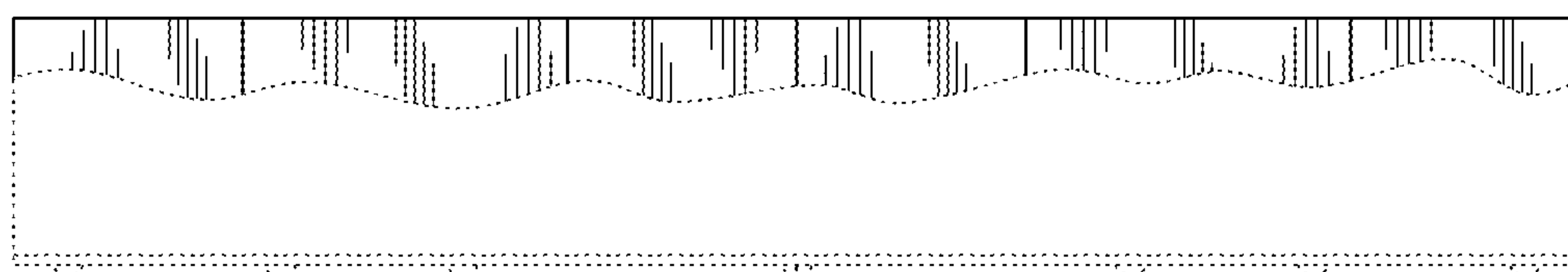


Fig. 6

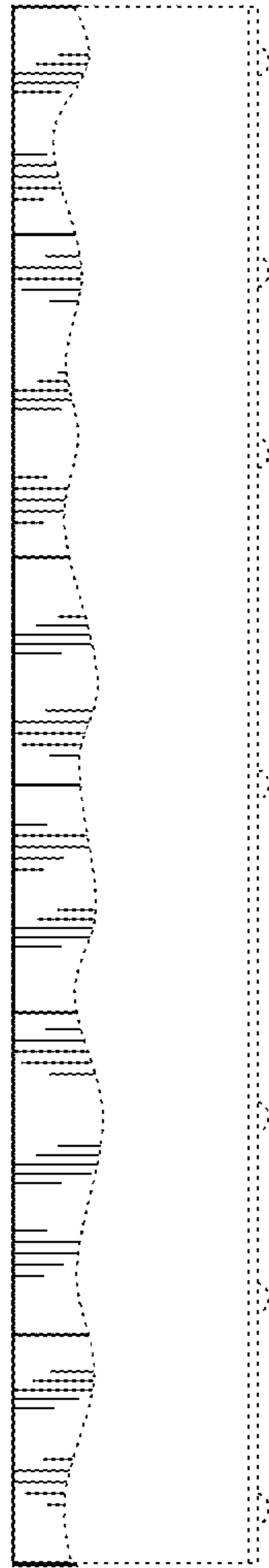


Fig. 7



Fig. 8

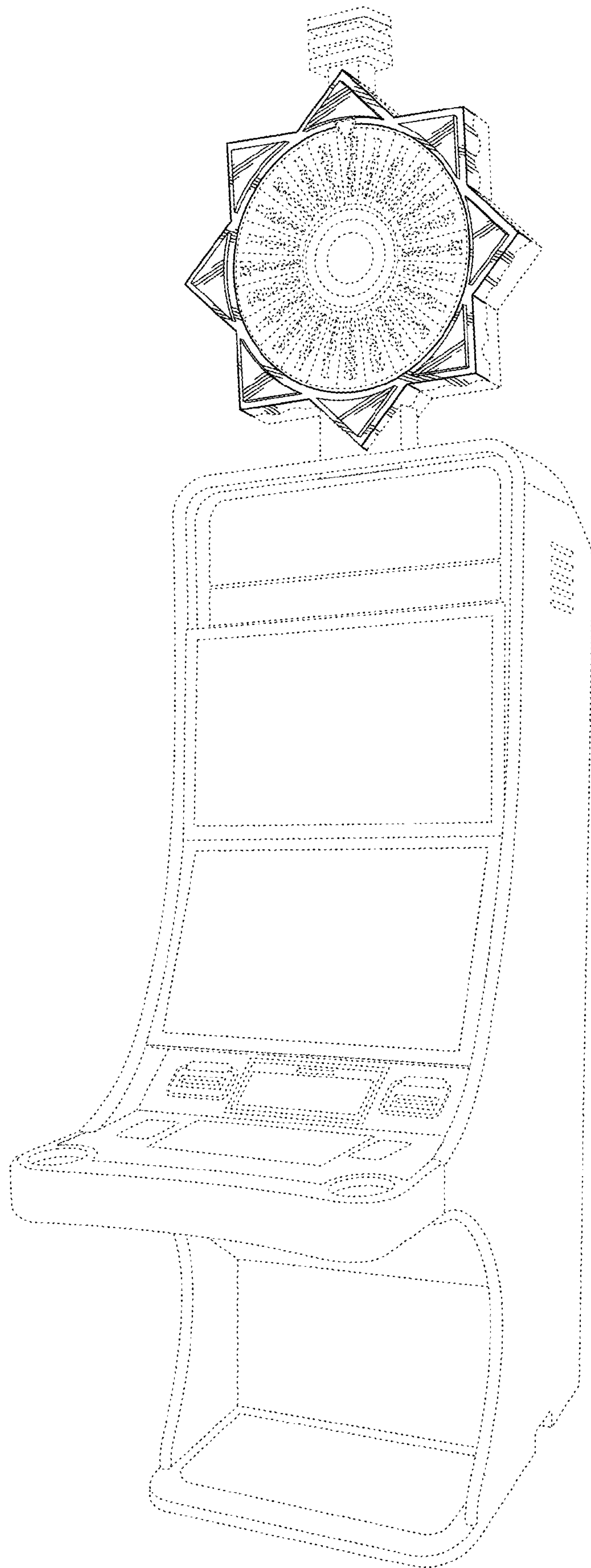


Fig. 9

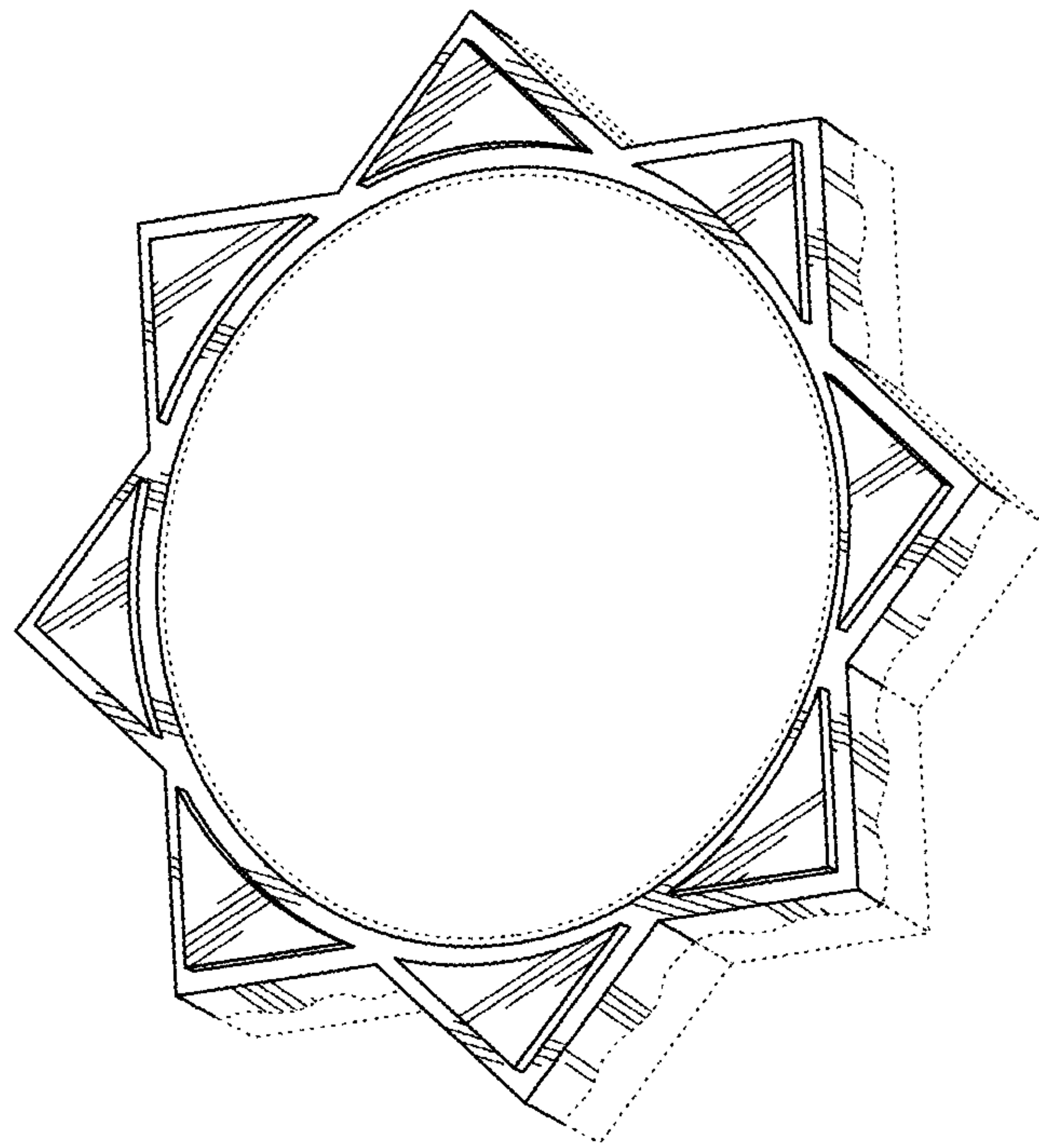


Fig. 10

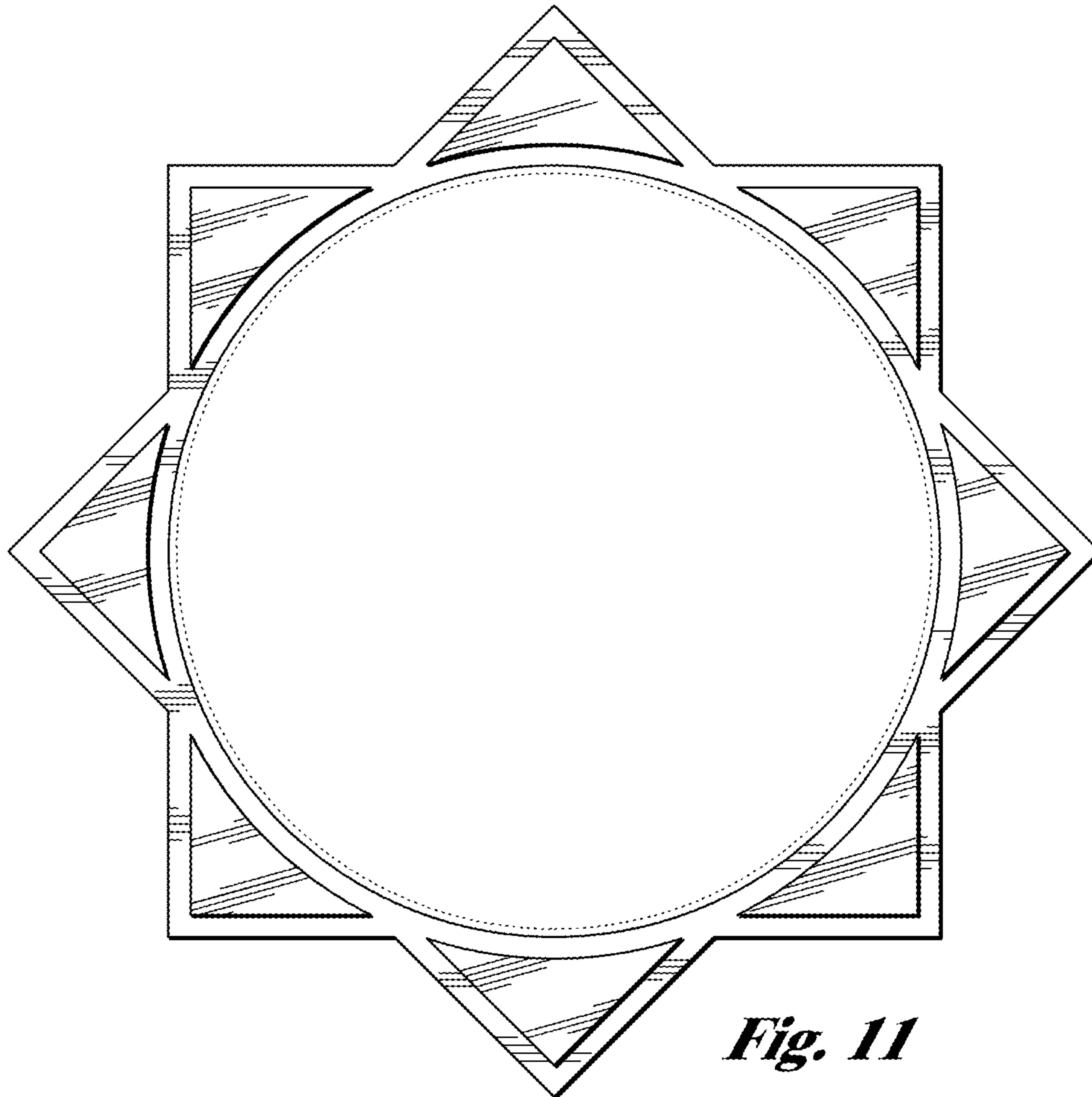


Fig. 11

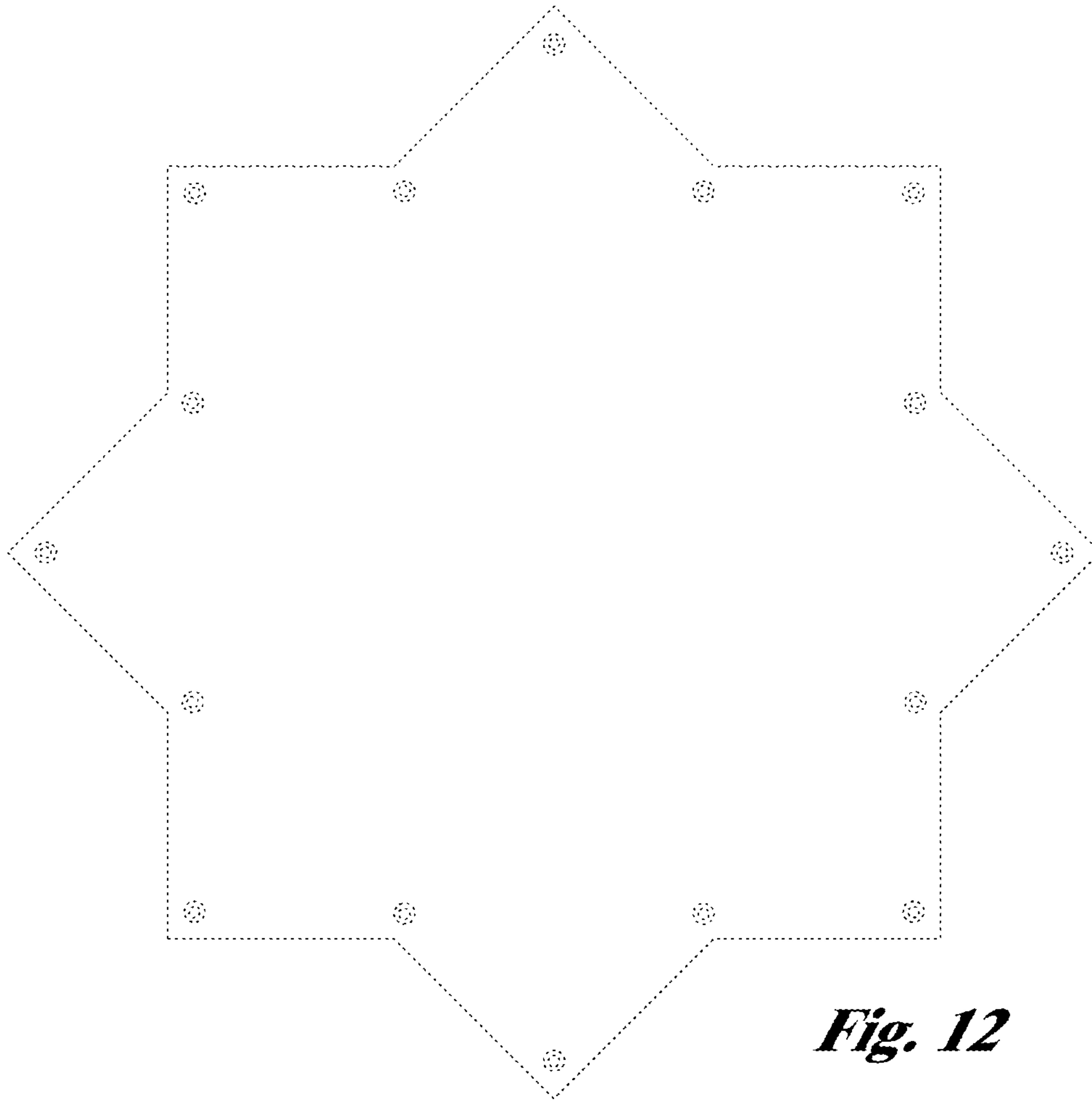


Fig. 12

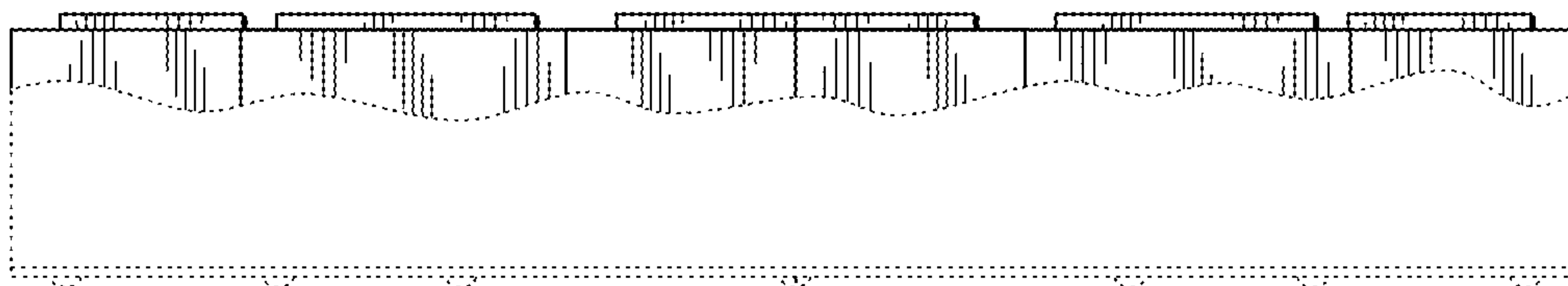


Fig. 13

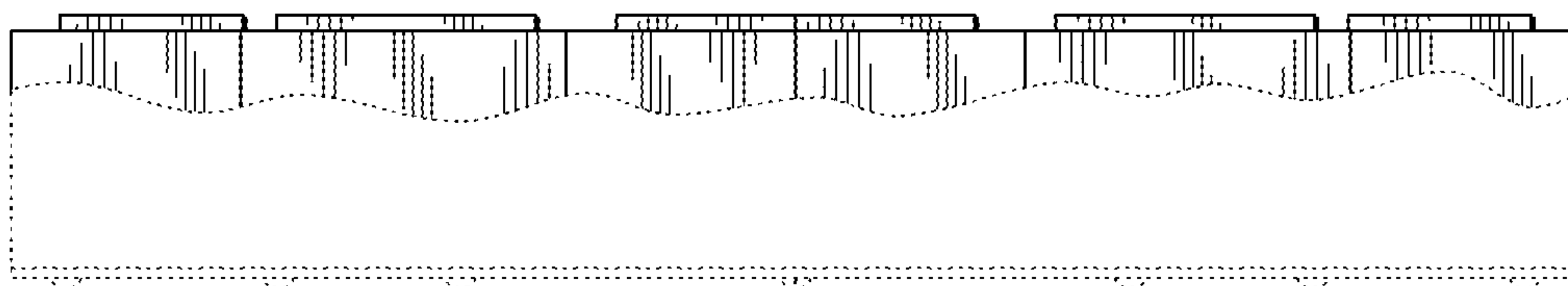


Fig. 14

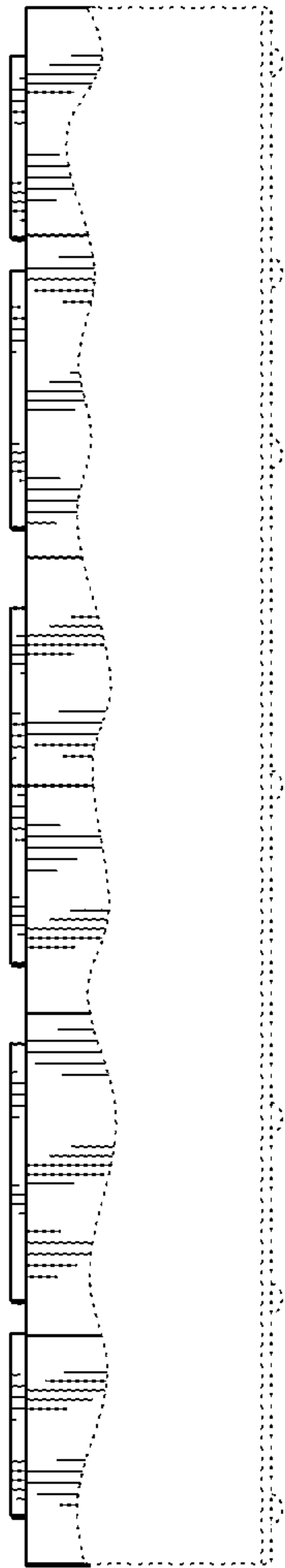


Fig. 15

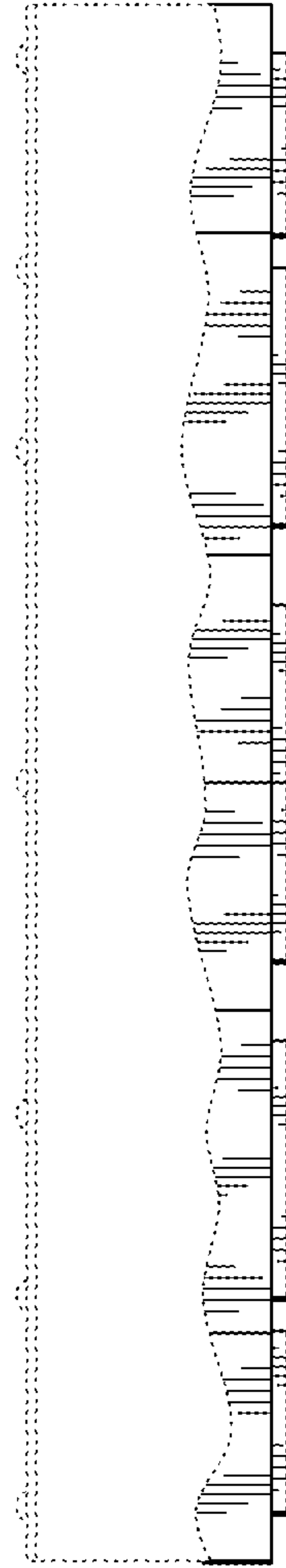


Fig. 16