



US00D940242S

(12) **United States Design Patent** (10) **Patent No.:** **US D940,242 S**  
**Wu** (45) **Date of Patent:** **\*\* Jan. 4, 2022**

(54) **TAG HOLDER**  
(71) Applicant: **PANWAYE INC**, Colorado Springs, CO (US)  
(72) Inventor: **Qiang Wu**, Shenzhen (CN)  
(\*\*) Term: **15 Years**  
(21) Appl. No.: **29/740,842**  
(22) Filed: **Jul. 7, 2020**  
(51) **LOC (13) Cl.** ..... **20-03**  
(52) **U.S. Cl.**  
USPC ..... **D20/43**  
(58) **Field of Classification Search**  
USPC ..... D6/325, 328; D8/321, 349, 354, 355, D8/356, 357, 366, 367, 370, 371, 373, D8/376, 380, 381, 382, 400; D19/20, 86, D19/90, 91; D20/10, 42-44, 99; D25/119  
CPC ..... G09F 7/16; G09F 2007/122; G09F 13/00; G09F 13/04; G09F 13/06; G09F 13/18; G09F 13/22; G09F 13/24; G09F 13/26; G09F 2013/1895; G09F 15/00; B29C 65/52; B29C 65/56; B23P 19/00; B32B 37/02; B32B 38/00  
See application file for complete search history.

(56) **References Cited**  
U.S. PATENT DOCUMENTS  
1,573,268 A \* 2/1926 Norman ..... E04H 13/003 40/124.5  
1,902,189 A \* 3/1933 Schutt ..... E01F 9/608 40/606.18  
2,053,124 A \* 9/1936 Banks ..... G09F 3/20 248/488  
2,717,463 A \* 9/1955 Sindler ..... A47J 43/27 40/324  
3,057,093 A \* 10/1962 Gallo ..... G09F 1/10 40/645

D249,191 S \* 8/1978 Boecher, Jr. .... D11/143  
D249,192 S \* 8/1978 Boecher, Jr. .... D11/143  
D249,193 S \* 8/1978 Boecher, Jr. .... D11/143  
4,777,750 A \* 10/1988 Garfinkle ..... G09F 1/12 40/607.04  
D386,880 S \* 11/1997 Vaske ..... D6/300  
D446,044 S \* 8/2001 Thomas ..... D6/404  
D475,832 S \* 6/2003 Fink ..... D99/18  
D500,525 S \* 1/2005 Kaplan ..... D20/36  
D598,053 S \* 8/2009 Sanchez ..... D14/159  
D639,088 S \* 6/2011 Rodgers ..... D20/10  
D677,075 S \* 3/2013 Rodgers ..... D6/672  
D804,583 S \* 12/2017 Exley ..... D21/483  
D849,143 S \* 5/2019 Williams ..... D20/29  
2002/0195044 A1 \* 12/2002 Hayward ..... G09F 23/08 116/173  
2012/0036751 A1 \* 2/2012 Wang ..... G09F 7/20 40/600

(Continued)

*Primary Examiner* — Mary Ann Calabrese  
*Assistant Examiner* — Catherine Ho  
(74) *Attorney, Agent, or Firm* — Tsz Lung Yeung

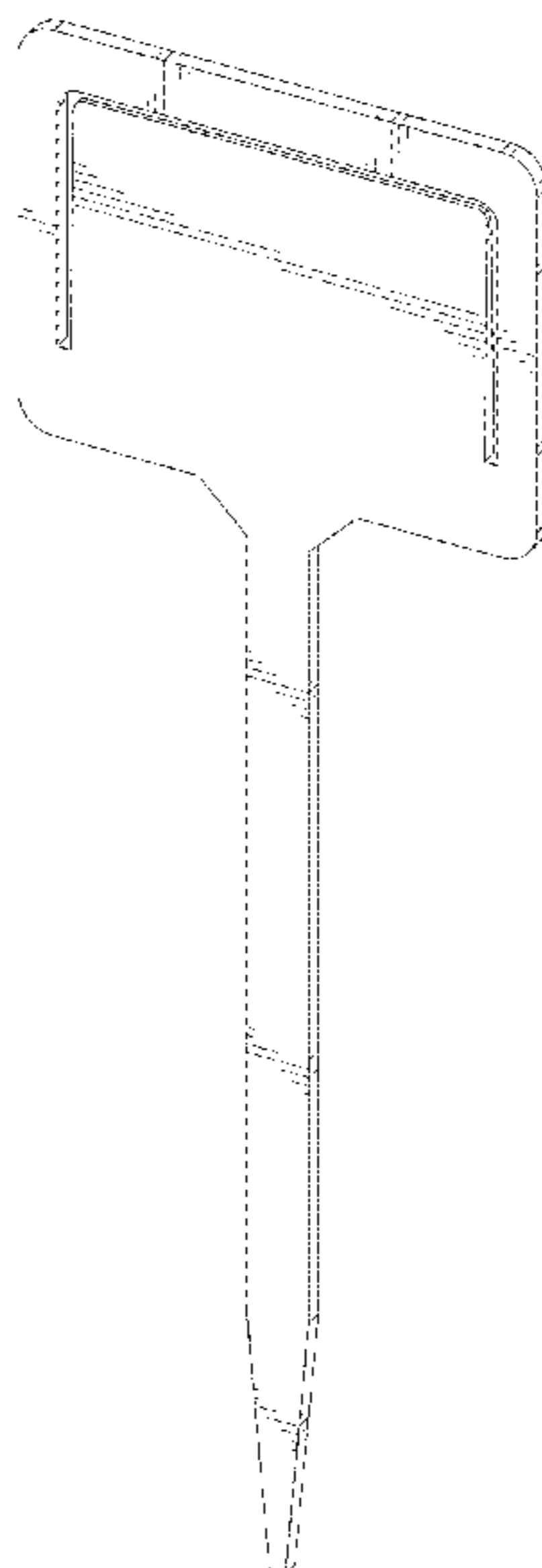
(57) **CLAIM**

The ornamental design for a tag holder, as shown and described.

**DESCRIPTION**

FIG. 1 is a perspective view of a tag holder showing my new design;  
FIG. 2 is a rear perspective view thereof;  
FIG. 3 is a front view thereof;  
FIG. 4 is a rear view thereof;  
FIG. 5 is a left side view thereof;  
FIG. 6 is a right side view thereof;  
FIG. 7 is a top view thereof;  
FIG. 8 is a bottom view thereof; and,  
FIG. 9 is a cross-sectional view taken along lines 9-9 in FIG. 3.

**1 Claim, 9 Drawing Sheets**



(56)

**References Cited**

U.S. PATENT DOCUMENTS

2013/0074387 A1\* 3/2013 Makhija ..... G09F 7/22  
40/606.14

\* cited by examiner

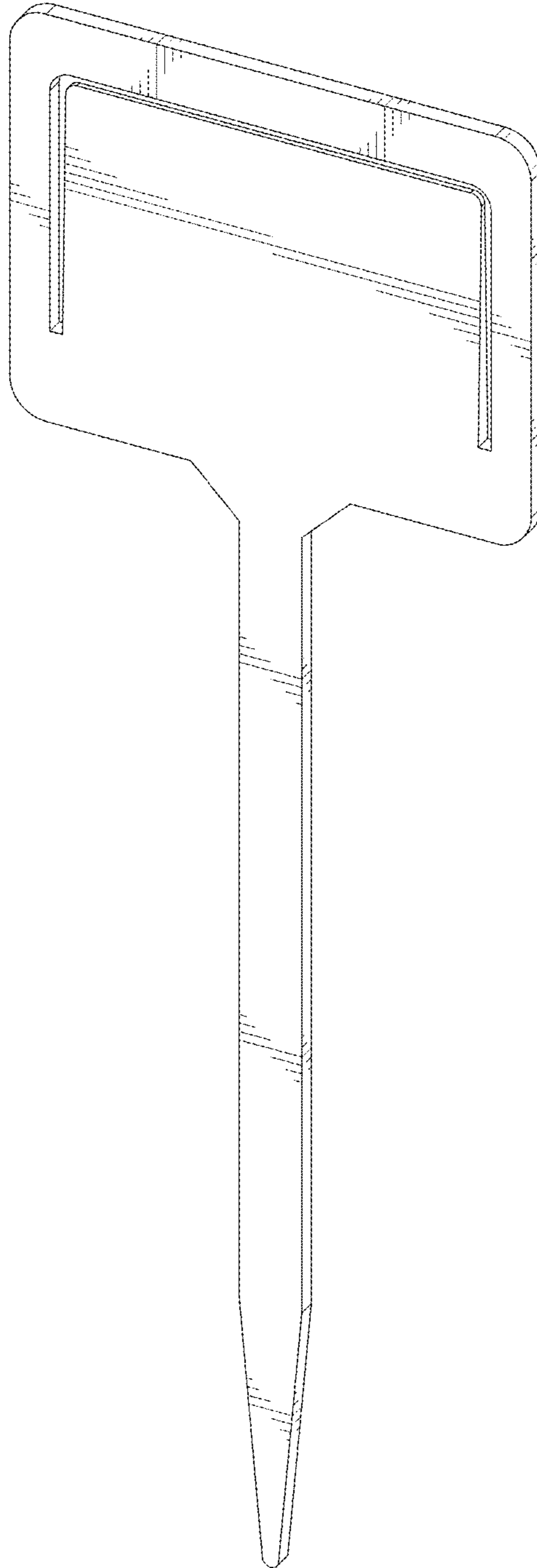


FIG.1

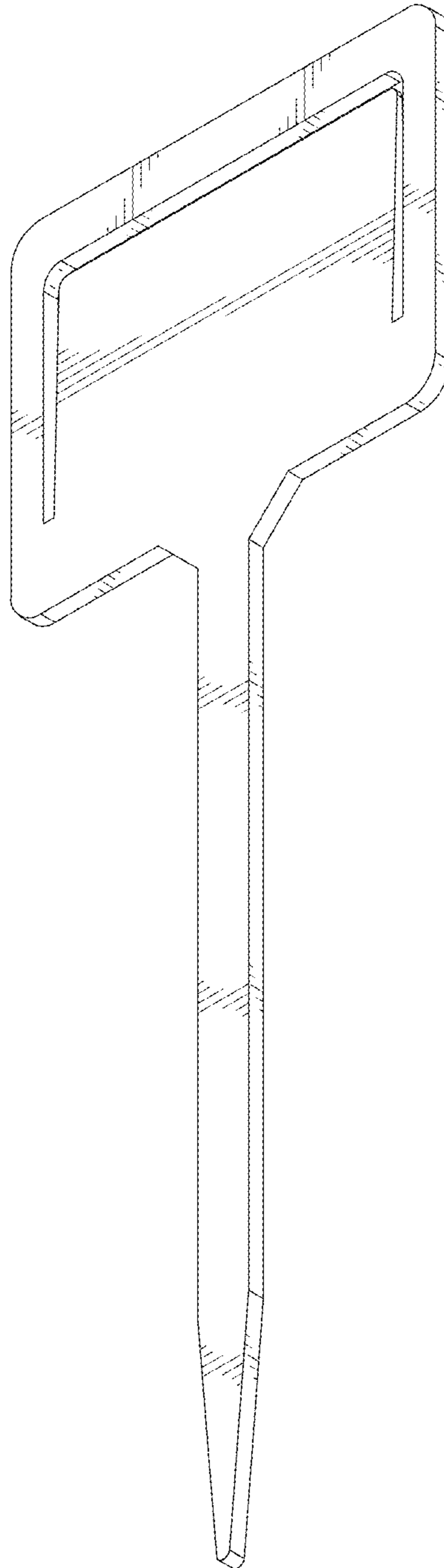


FIG.2

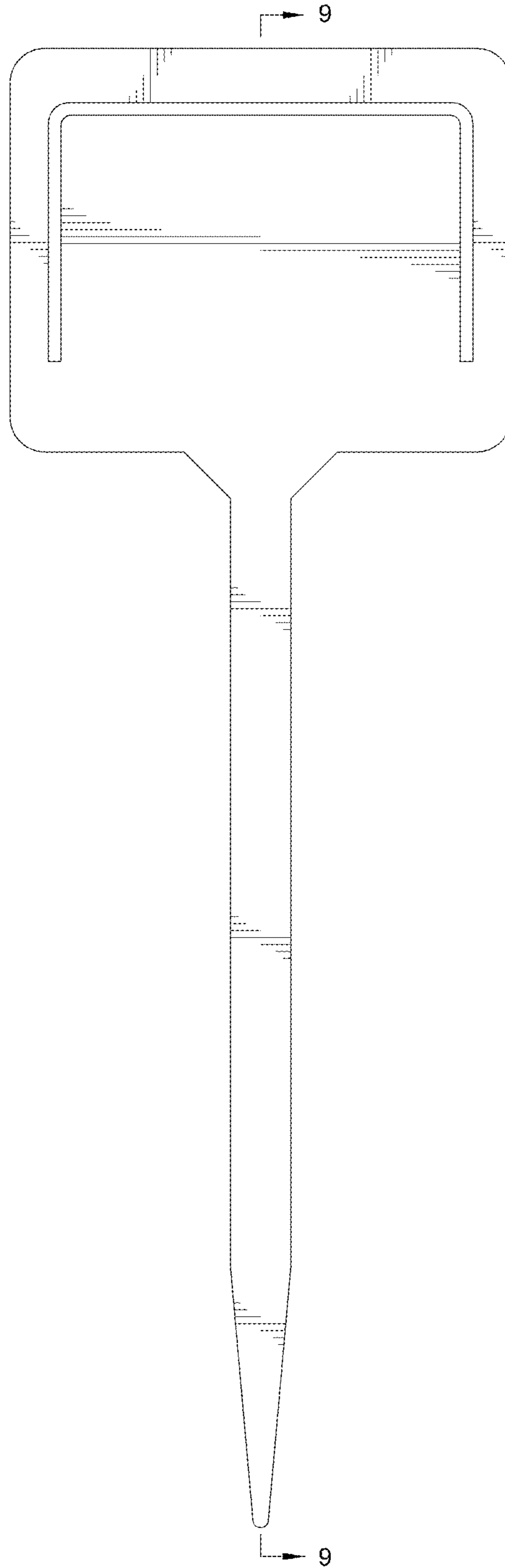


FIG.3

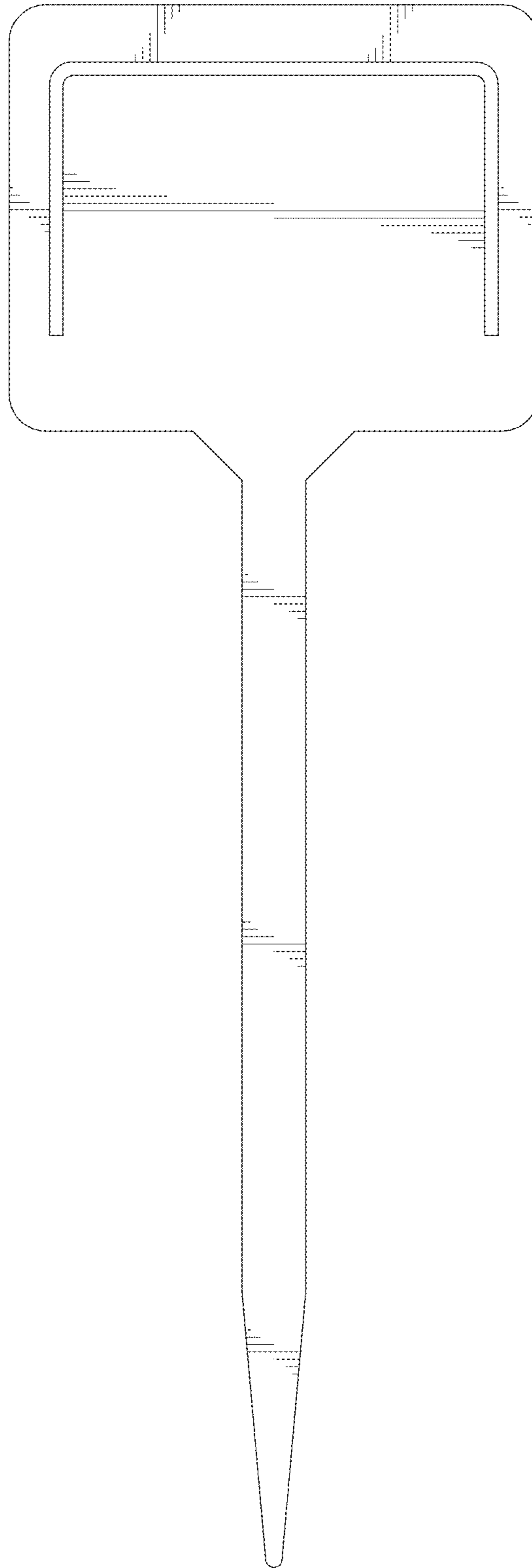


FIG. 4

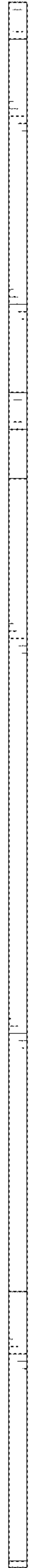


FIG.5

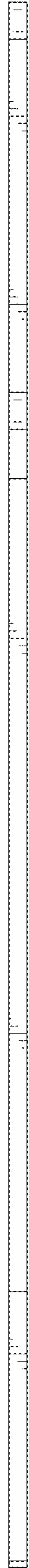


FIG.6



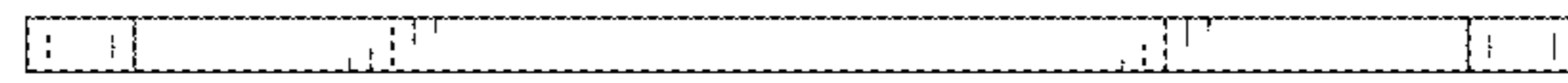


FIG.7

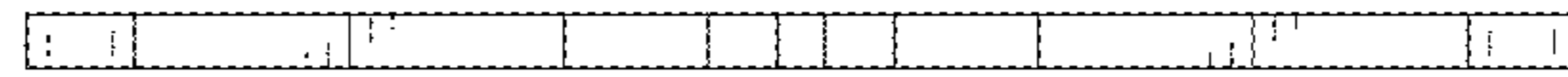


FIG.8



FIG.9