



US00D940241S

(12) **United States Design Patent**
Lyon

(10) **Patent No.:** **US D940,241 S**
(45) **Date of Patent:** **** Jan. 4, 2022**

- (54) **UNIVERSAL SIGN HOLDER**
- (71) Applicant: **Dwayne L. Lyon**, Brownwood, TX (US)
- (72) Inventor: **Dwayne L. Lyon**, Brownwood, TX (US)
- (**) Term: **15 Years**
- (21) Appl. No.: **29/720,649**
- (22) Filed: **Jan. 15, 2020**
- (51) **LOC (13) Cl.** **20-02**
- (52) **U.S. Cl.**
USPC **D20/41**
- (58) **Field of Classification Search**
USPC D20/10, 11, 22, 23, 26, 27, 28, 29, 41, D20/42, 43
CPC G09F 1/00; G09F 1/04; G09F 3/00; G09F 3/005; G09F 3/0288; G09F 3/0289; G09F 3/02; G09F 3/04; G09F 3/06; G09F 3/08; G09F 3/10; G06K 19/0776
See application file for complete search history.

| | | | | | | |
|--------------|----|---|---------|--------------|-------|---------------------------|
| D602,992 | S | * | 10/2009 | Giugiaro | | D20/41 |
| D648,620 | S | | 11/2011 | Wagner | | |
| D661,745 | S | * | 6/2012 | Podd | | D20/42 |
| D662,146 | S | * | 6/2012 | Podd | | D20/42 |
| D662,992 | S | * | 7/2012 | Hernandez | | D20/41 |
| D670,343 | S | * | 11/2012 | Byford | | D20/43 |
| D693,409 | S | * | 11/2013 | Clark | | D20/43 |
| 8,713,829 | B1 | | 5/2014 | Crofford | | |
| D708,673 | S | * | 7/2014 | Tsai | | D20/43 |
| D894,673 | S | * | 9/2020 | Juarbe | | D7/396.2 |
| D919,706 | S | * | 5/2021 | Larsen | | D20/42 |
| 2001/0039750 | A1 | * | 11/2001 | Venegas, Jr. | | G09F 15/0037 40/607.11 |

(56) **References Cited**

U.S. PATENT DOCUMENTS

| | | | | | | |
|-----------|----|---|---------|------------------|-------|---------------------|
| 1,786,883 | A | | 12/1930 | Zahonyi | | |
| 2,020,780 | A | | 11/1935 | Hamilton | | |
| 2,262,873 | A | | 11/1941 | Wise | | |
| 3,638,894 | A | | 2/1972 | Leutenegger | | |
| D266,774 | S | * | 11/1982 | Brown | | D20/41 |
| D268,849 | S | * | 5/1983 | Shuman | | D20/43 |
| 5,088,672 | A | | 2/1992 | Neuendorf et al. | | |
| D369,044 | S | * | 4/1996 | Lechleiter | | D20/41 |
| 5,819,455 | A | * | 10/1998 | Tsuda | | G09F 9/33 40/580 |
| 6,186,454 | B1 | | 2/2001 | Olsen | | |
| D491,608 | S | * | 6/2004 | Strunk | | D20/41 |
| 6,976,660 | B2 | | 12/2005 | Lapointe et al. | | |
| D587,317 | S | * | 2/2009 | King | | D20/41 |
| 7,506,466 | B2 | | 3/2009 | Betham et al. | | |

OTHER PUBLICATIONS

Universal Sign Holder, posted at youtube.com, posted on May 26, 2020, site visited Aug. 26, 2021. online, available from internet: <https://www.youtube.com/watch?v=HK3vETf7UNM> (Year: 2020).*

* cited by examiner

Primary Examiner — Mary Ann Calabrese
Assistant Examiner — Catherine Ho
(74) *Attorney, Agent, or Firm* — Cramer Patent & Design, PLLC; Aaron R. Cramer

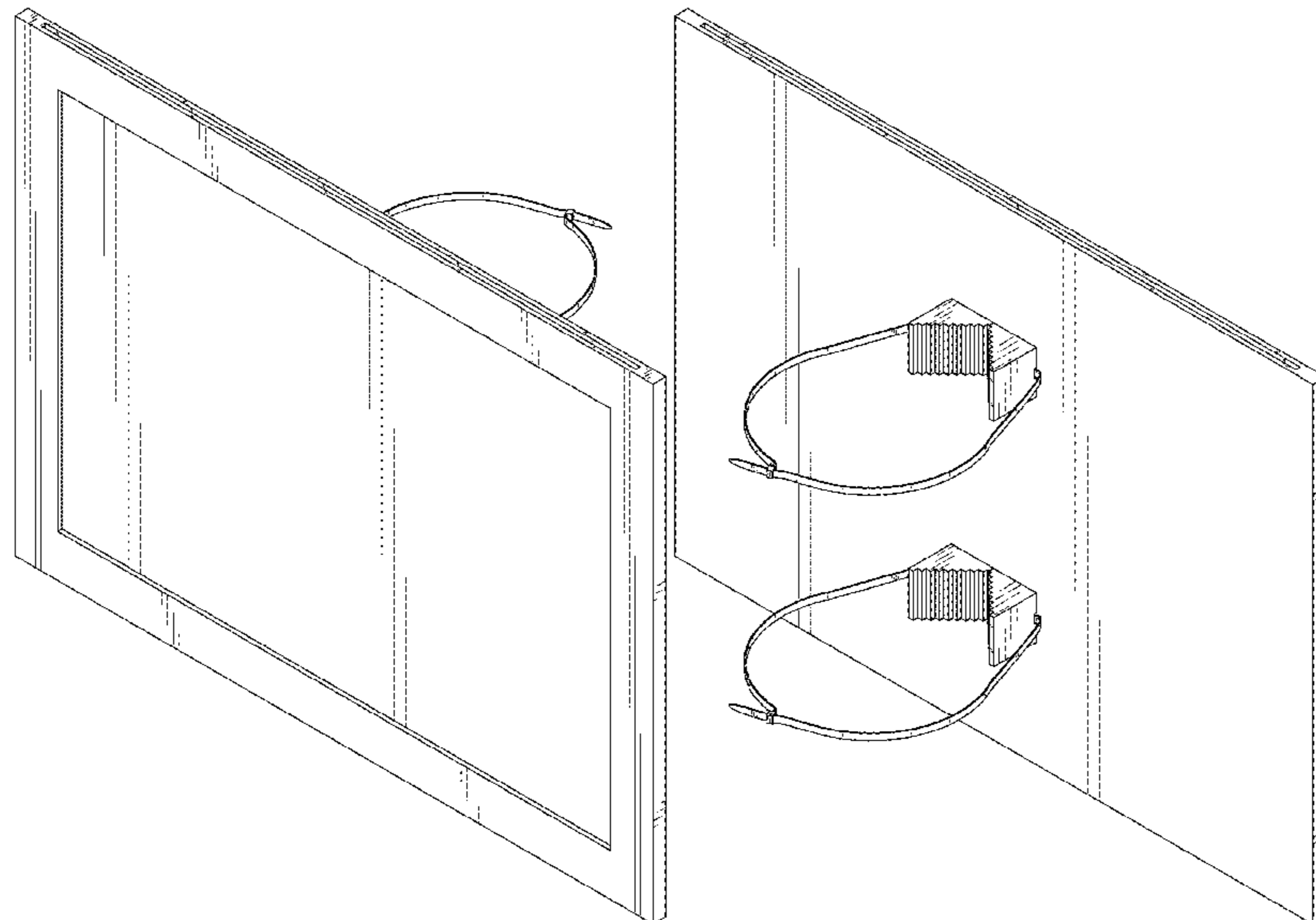
(57) **CLAIM**

The ornamental design for a universal sign holder, as shown and described.

DESCRIPTION

FIG. 1 is a perspective top front right view of the universal sign holder, showing my new design;
FIG. 2 is a perspective top rear left view thereof;
FIG. 3 is a front elevation view thereof;
FIG. 4 is a rear elevation view thereof;
FIG. 5 is a right elevation view thereof;
FIG. 6 is a left elevation view thereof;
FIG. 7 is a top plan view thereof; and,
FIG. 8 is a bottom plan view thereof.

1 Claim, 6 Drawing Sheets



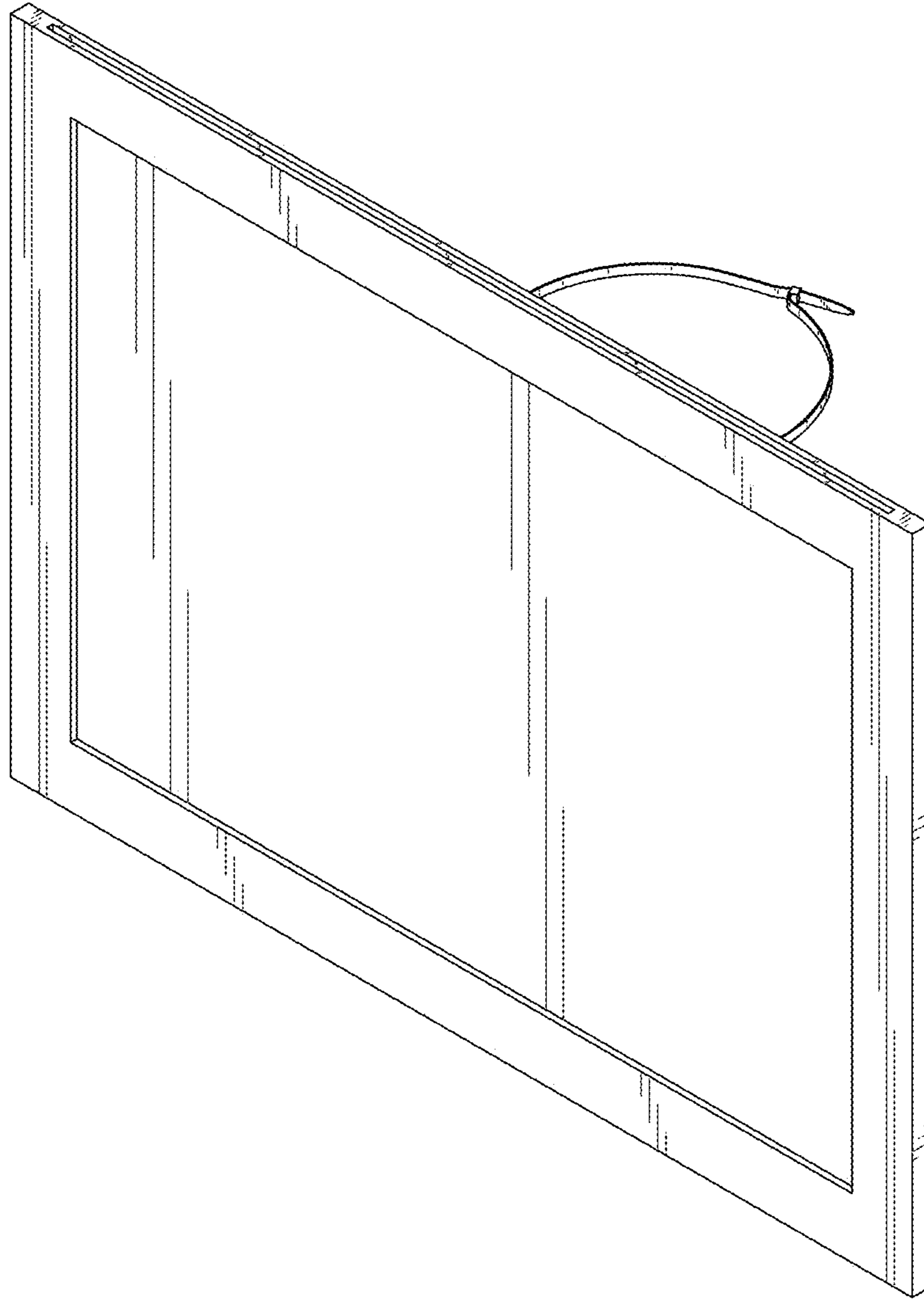


FIG. 1

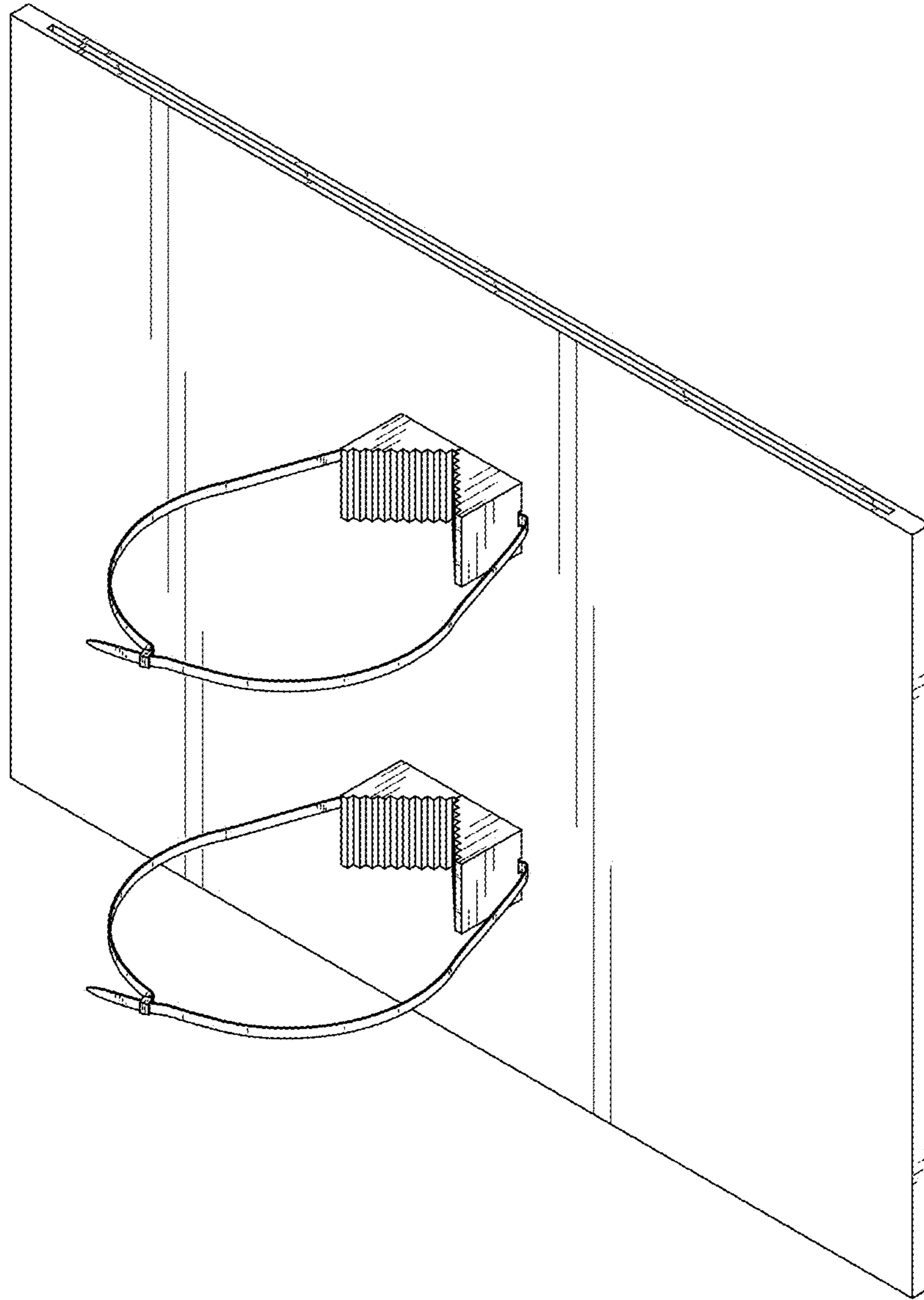


FIG. 2

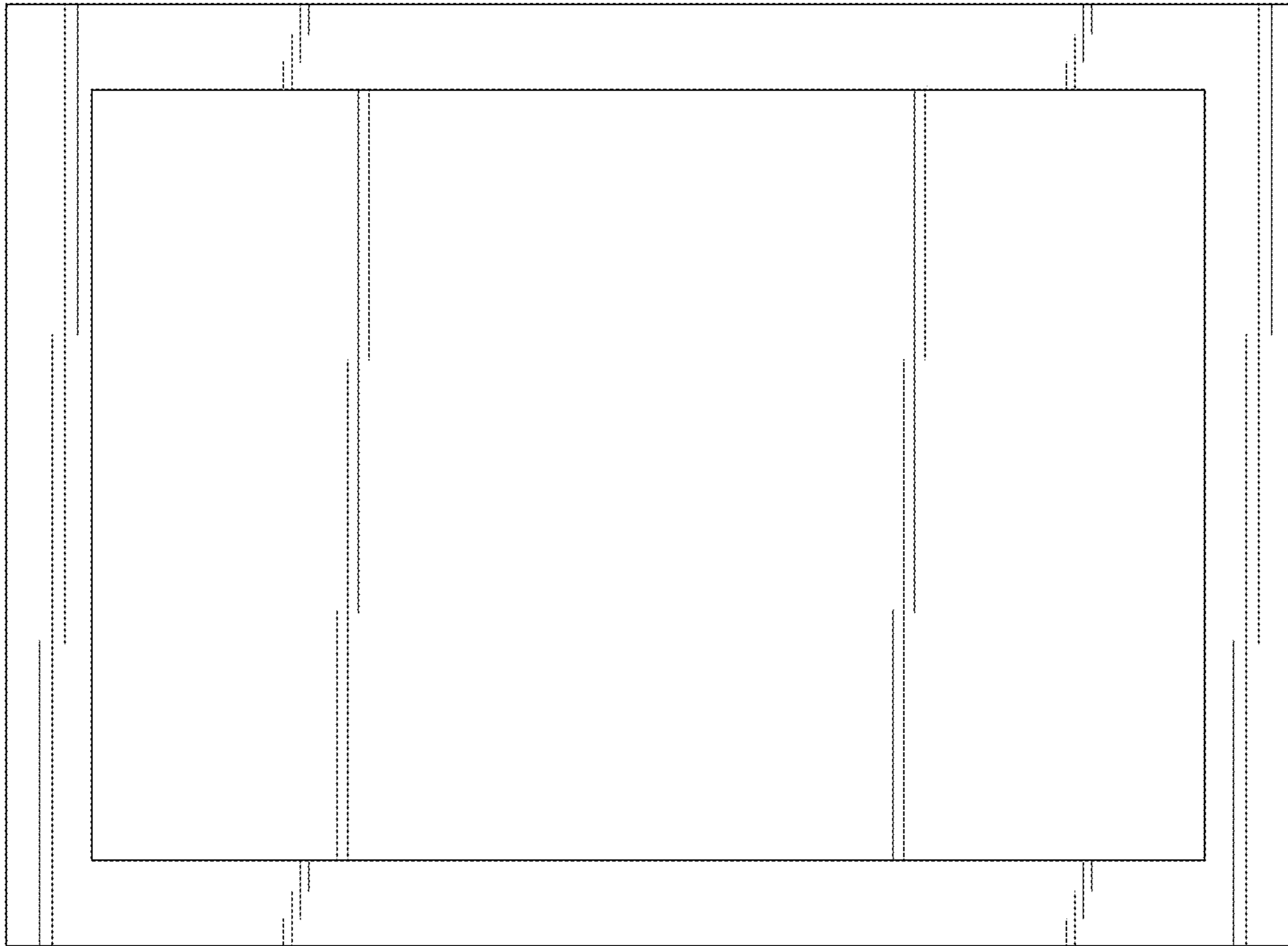


FIG. 3

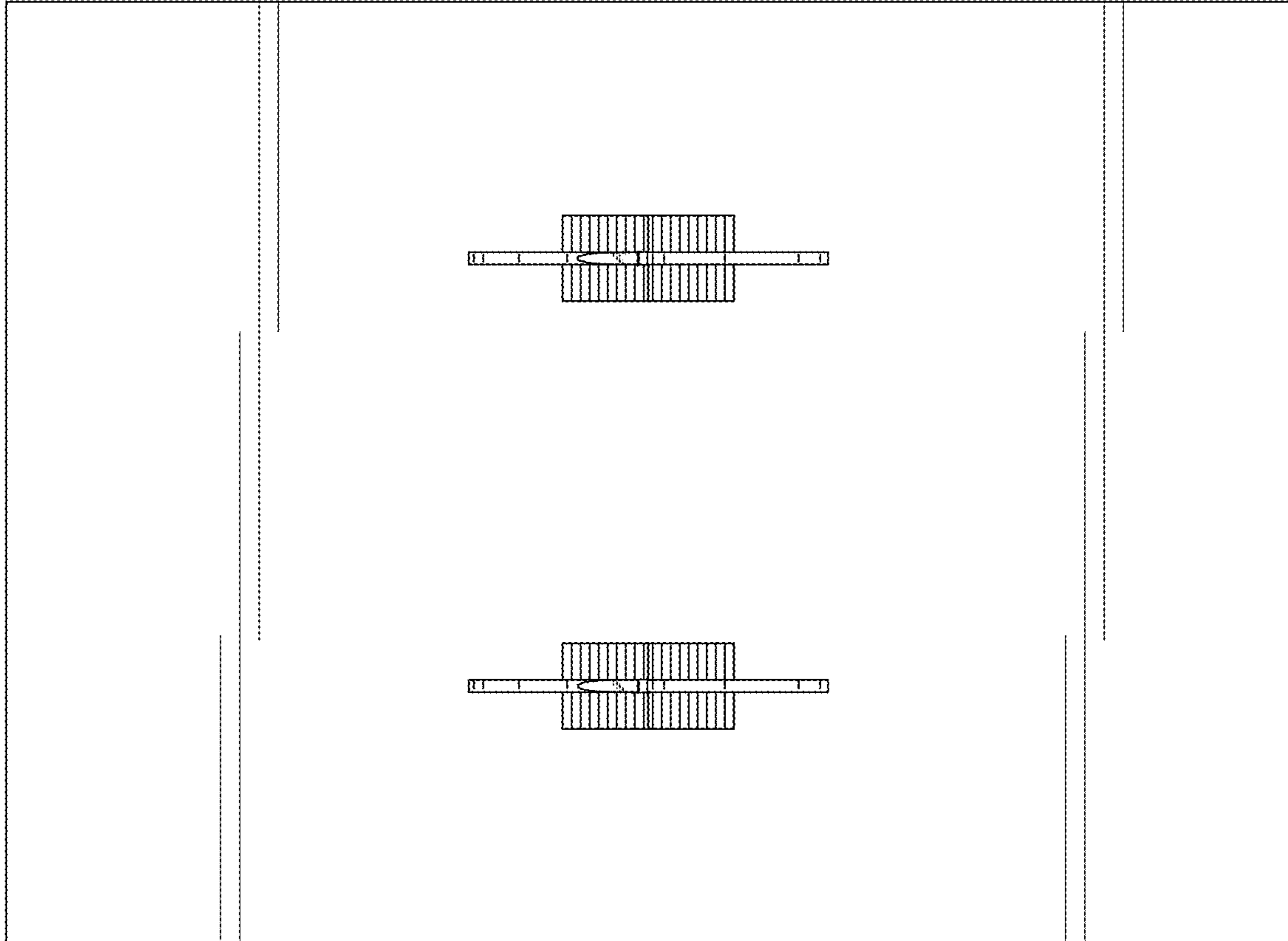


FIG. 4

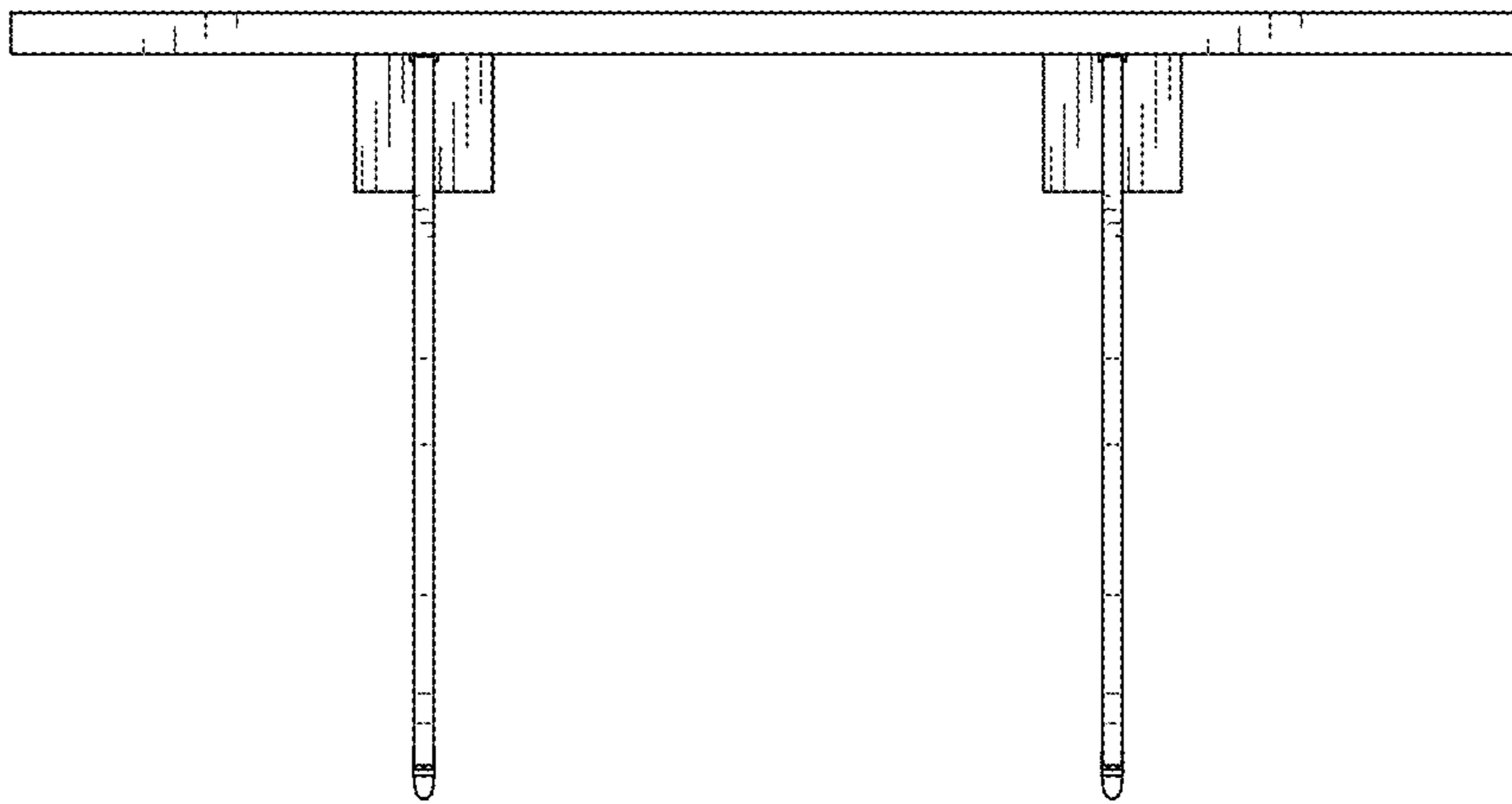


FIG. 6

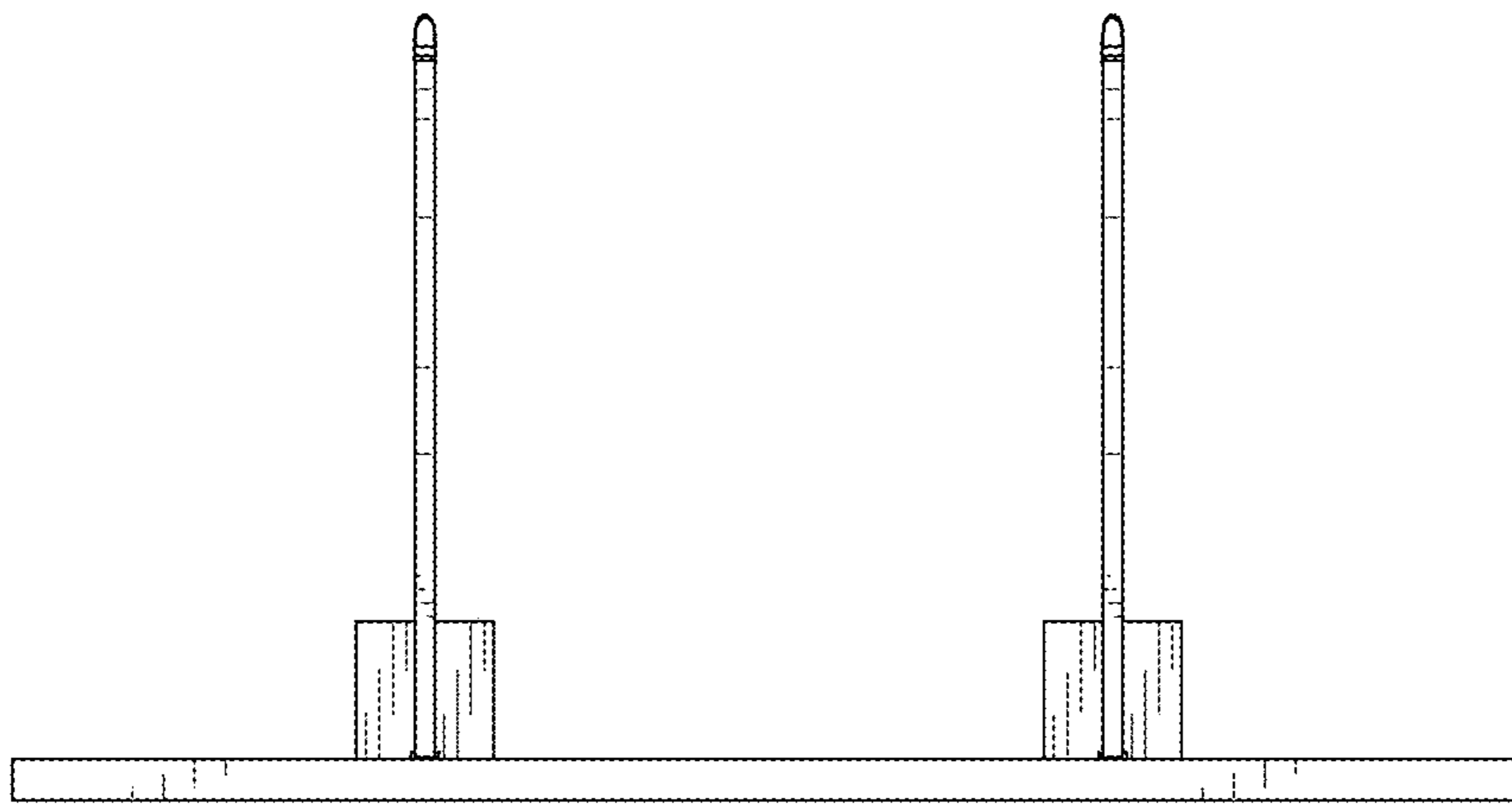


FIG. 5

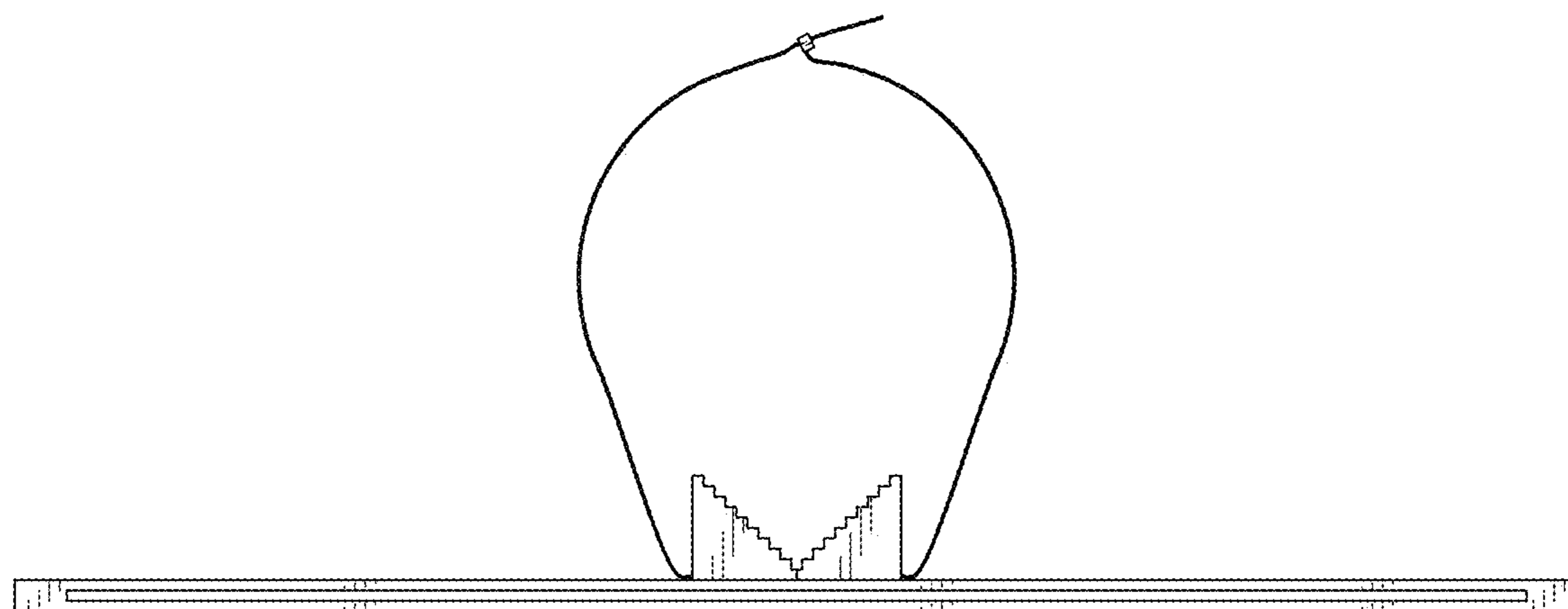


FIG. 7

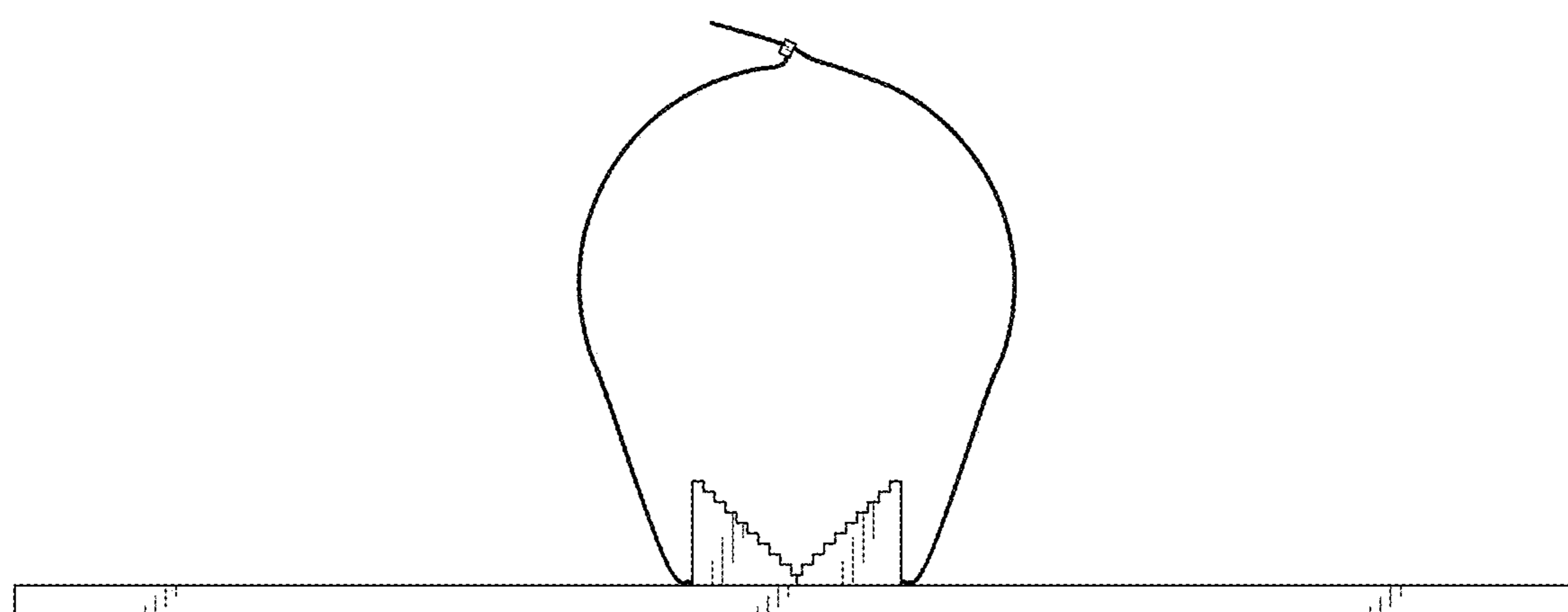


FIG. 8