



US00D940238S

(12) **United States Design Patent** (10) **Patent No.:** **US D940,238 S**
Hyun et al. (45) **Date of Patent:** **** Jan. 4, 2022**

(54) **STAND FOR ELECTRONIC WHITEBOARD**

(56) **References Cited**

(71) Applicant: **LG Electronics Inc.**, Seoul (KR)
 (72) Inventors: **Joe Hyun**, Seoul (KR); **Yongho Lee**, Seoul (KR); **Jiyeon Lee**, Seoul (KR); **Hyeyoung Hong**, Seoul (KR)

U.S. PATENT DOCUMENTS

- 4,727,431 A * 2/1988 Nakamura H04N 1/38 358/401
- 4,752,803 A * 6/1988 Sakurai G03G 15/221 399/1
- D300,041 S * 2/1989 Kurozumi D18/36
- D300,149 S * 3/1989 Yamada D19/114
- D300,150 S * 3/1989 Ishii D18/36
- 4,905,040 A * 2/1990 Nagai G03B 27/625 355/43
- 5,529,501 A * 6/1996 Maruyama B43K 8/22 345/179
- D401,625 S * 11/1998 Verbeek D19/114
- D627,394 S * 11/2010 Nakayama D19/114

(73) Assignee: **LG ELECTRONICS INC.**, Seoul (KR)

(**) Term: **15 Years**

(21) Appl. No.: **35/509,677**

(22) Filed: **Dec. 23, 2019**

(80) **Hague Agreement Data**

Int. Filing Date: **Dec. 23, 2019**
 Int. Reg. No.: **DM/205811**
 Int. Reg. Date: **Dec. 23, 2019**
 Int. Reg. Pub. Date: **Jun. 26, 2020**

Primary Examiner — Richard E Chilcot

(74) *Attorney, Agent, or Firm* — Birch, Stewart, Kolasch & Birch, LLP

(30) **Foreign Application Priority Data**

Jun. 28, 2019 (KR) 30-2019-0031082

(51) **LOC (13) Cl.** **19-06**

(52) **U.S. Cl.**
 USPC **D19/114**; D14/126
 CPC **G06F 3/044** (2013.01)

(58) **Field of Classification Search**

USPC D14/125–134, 136, 159, 239, 315–318, D14/336, 339–347, 420, 426, 240, 496, D14/137, 138 R, 138 AA, 138 AB, D14/138 AC, 138 AD, 138 C, 138 G, 147, D14/203.1–203.8, 218, 247, 371, 248, D14/388–389, 373–376, 448, 450; D6/308, 310, 681.1, 682; D18/6–7, 26; D19/59, 60, 113, 114; D20/10, 41, 42, D20/27, 39; 21/324, 329, 330, 332, 515
 CPC G06F 3/044; G06F 1/1613; G06F 1/1626; G06F 2200/1633; G06F 3/0488; G06F 3/04886; G06F 3/0412; G06F 3/0416; H04B 1/3833

See application file for complete search history.

(Continued)

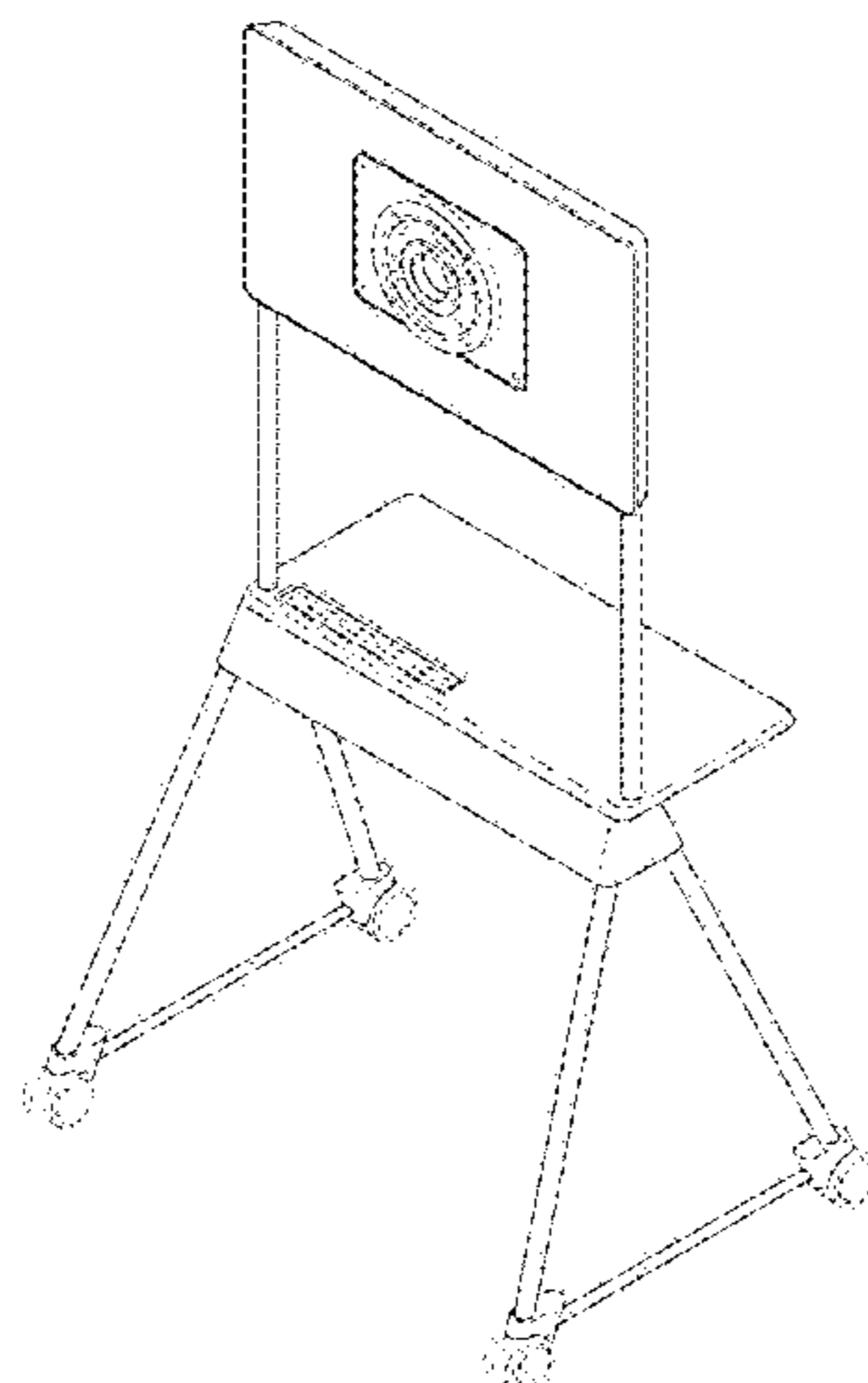
(57) **CLAIM**

The ornamental design for a stand for electronic whiteboard, as shown and described.

DESCRIPTION

- 1. Stand for electronic whiteboard
 - 1.1 : Perspective
 - 1.2 : Front
 - 1.3 : Back
 - 1.4 : Left, the right being a mirror image
 - 1.5 : Top
 - 1.6 : Bottom
 - 1.7 : Back perspective view
 - 1.8 : Front perspective view, shown with environment in a first orientation
 - 1.9 : Front perspective view, shown with environment in a second orientation
- The broken lines are just for illustrative purposes and do not form any part of the claimed design.

1 Claim, 9 Drawing Sheets



(56)

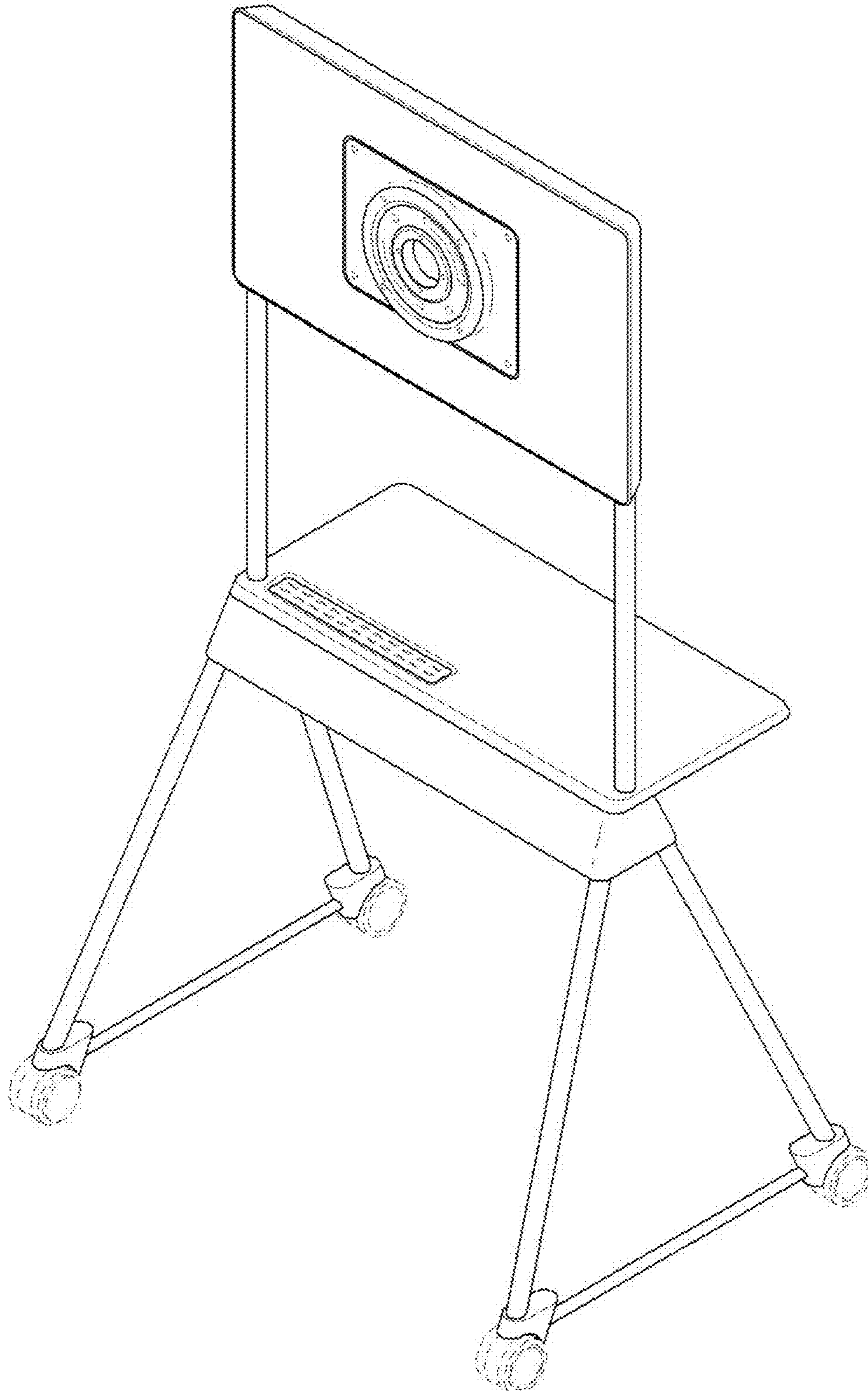
References Cited

U.S. PATENT DOCUMENTS

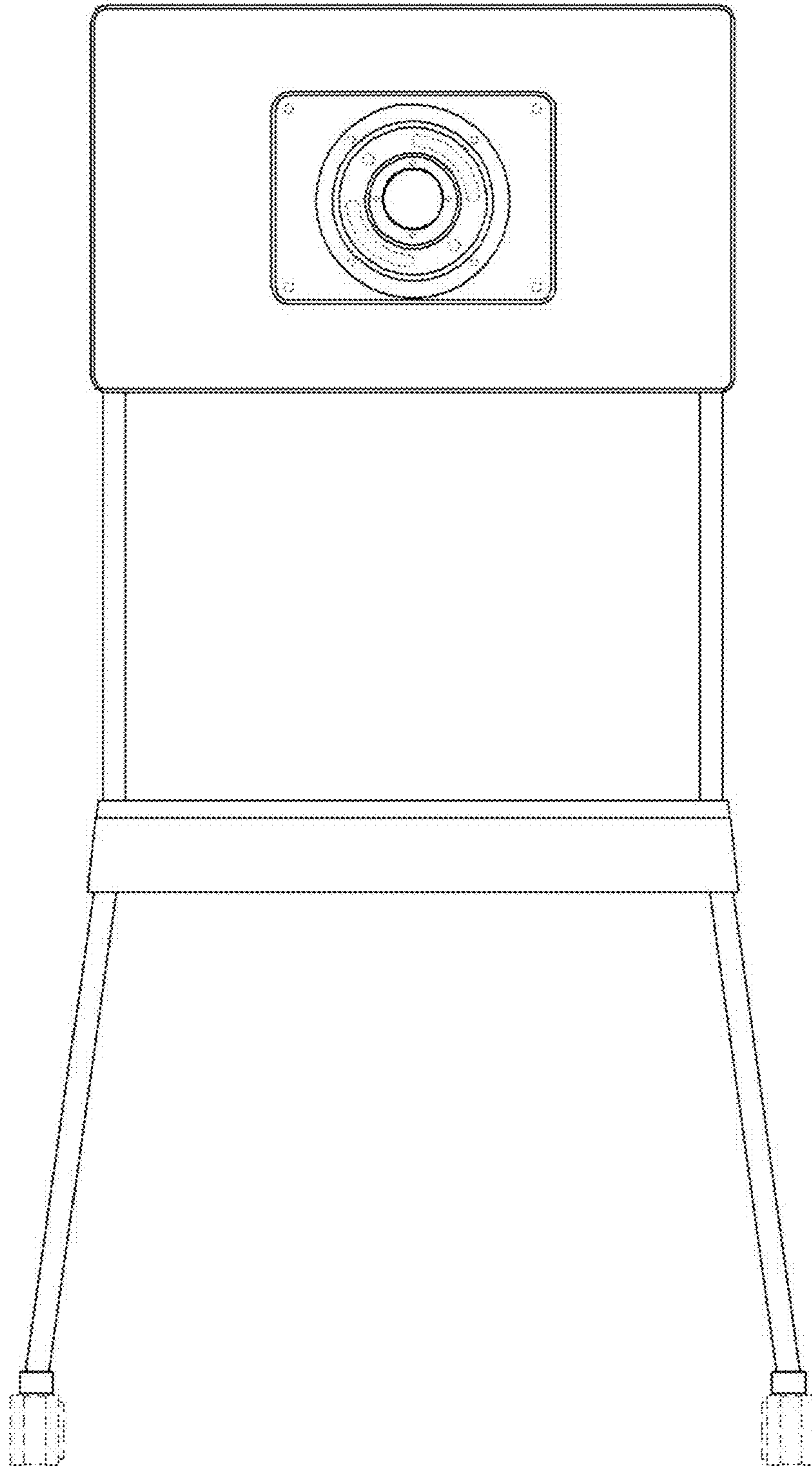
D658,142 S *	4/2012	Chiu	D14/129
D671,170 S *	11/2012	Udagawa	D19/114
D710,847 S *	8/2014	Ozolins	D14/371
D720,709 S *	1/2015	Lee	D14/126
D732,496 S *	6/2015	Mellingen	D14/126
D739,464 S *	9/2015	Liu	D19/113
D742,863 S *	11/2015	Aoyagi	D14/239
D782,432 S *	3/2017	So	D14/126
D791,232 S *	7/2017	Terada	D19/114
D807,312 S *	1/2018	Jeong	D14/126
D807,880 S *	1/2018	Varghese	D14/371
D809,600 S *	2/2018	Anderson	D19/113
D812,611 S *	3/2018	Yu	D14/371
D822,108 S *	7/2018	Avallon	D19/114
D822,109 S *	7/2018	Avallon	D19/114
D837,173 S *	1/2019	Lyngra	D14/126
D837,296 S *	1/2019	Martin	D19/114
D852,272 S *	6/2019	Lim	D19/113
D855,612 S *	8/2019	Lim	D14/374
D864,296 S *	10/2019	Park	D19/113
D872,800 S *	1/2020	Kan	D19/113
D877,104 S *	3/2020	Khan	D14/126
D884,697 S *	5/2020	Park	D14/375
D894,277 S *	8/2020	Lee	D19/113
D909,474 S *	2/2021	Lee	D19/114
2006/0101682 A1 *	5/2006	Shi	G06F 3/046 40/446

* cited by examiner

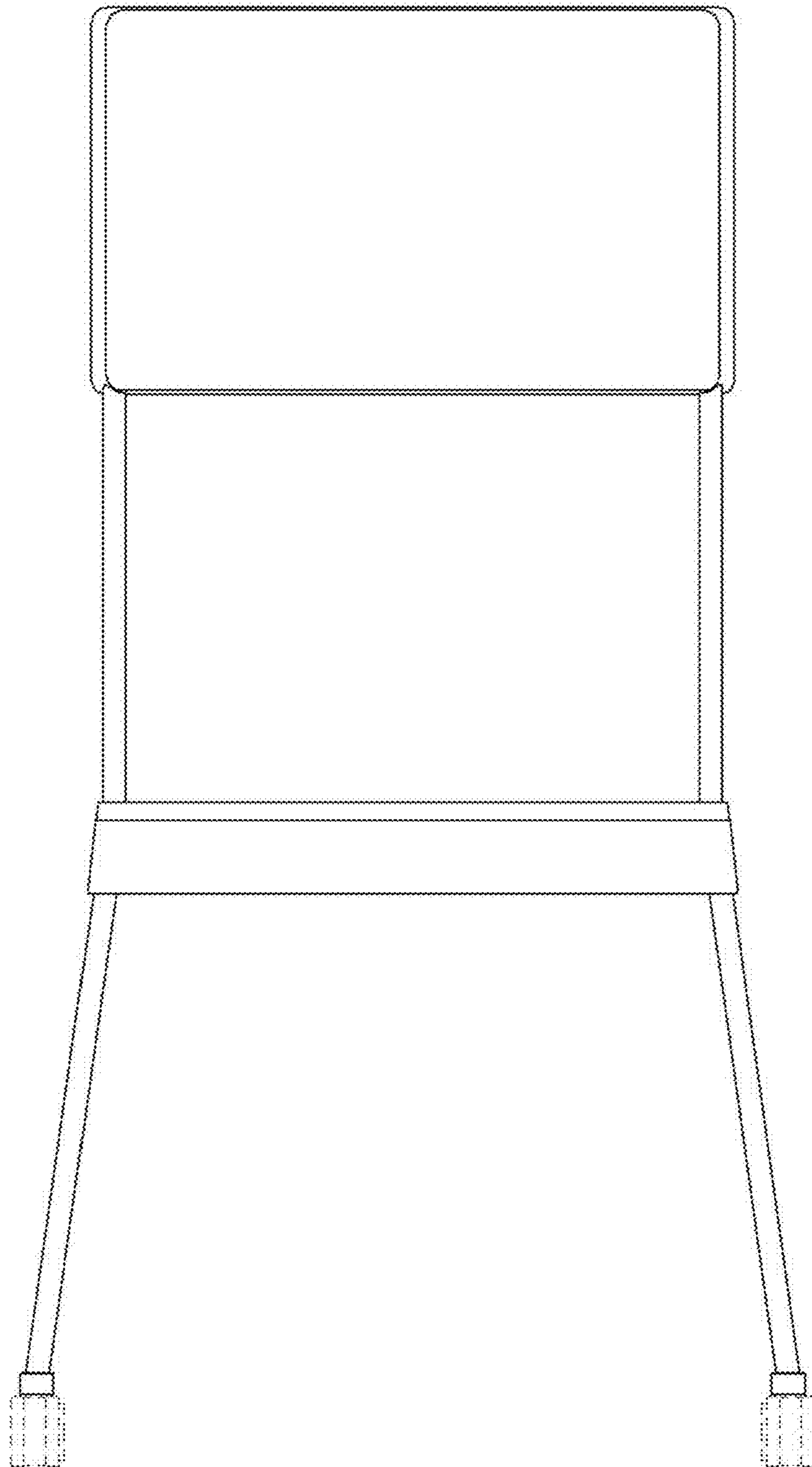
1.1



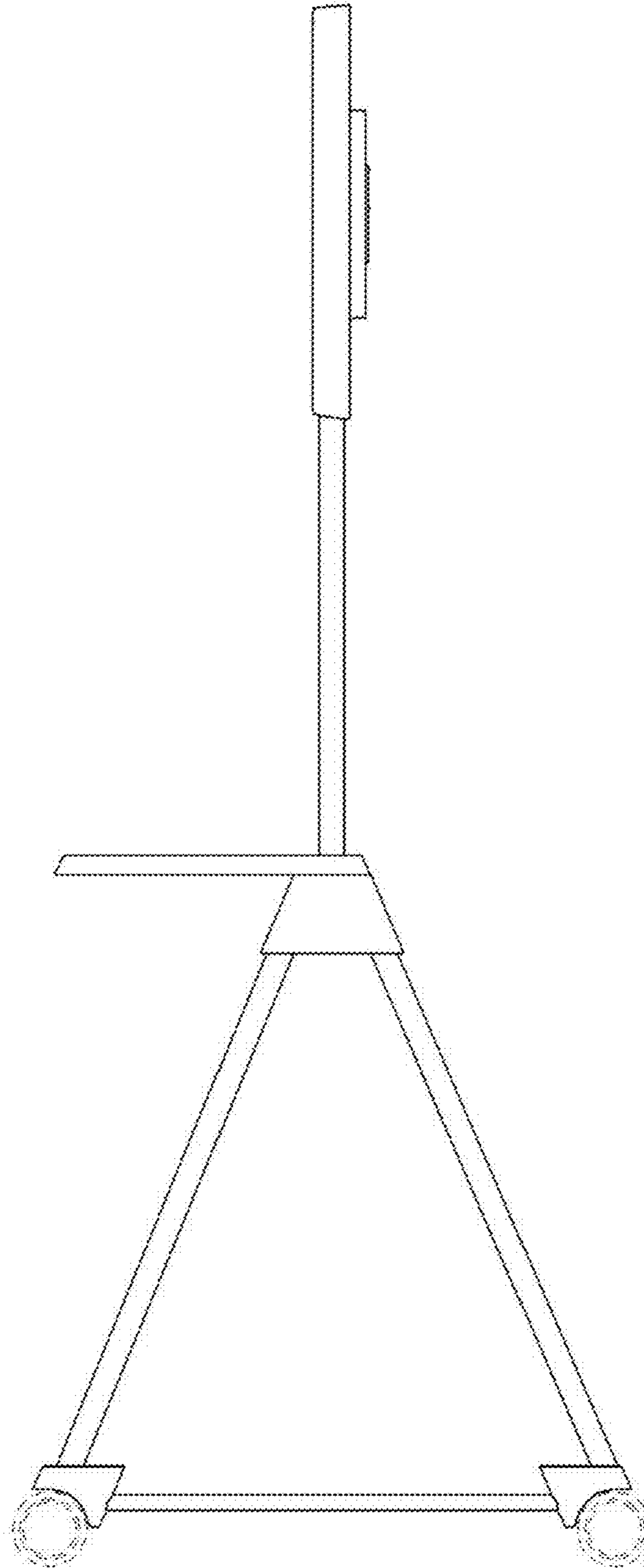
1.2



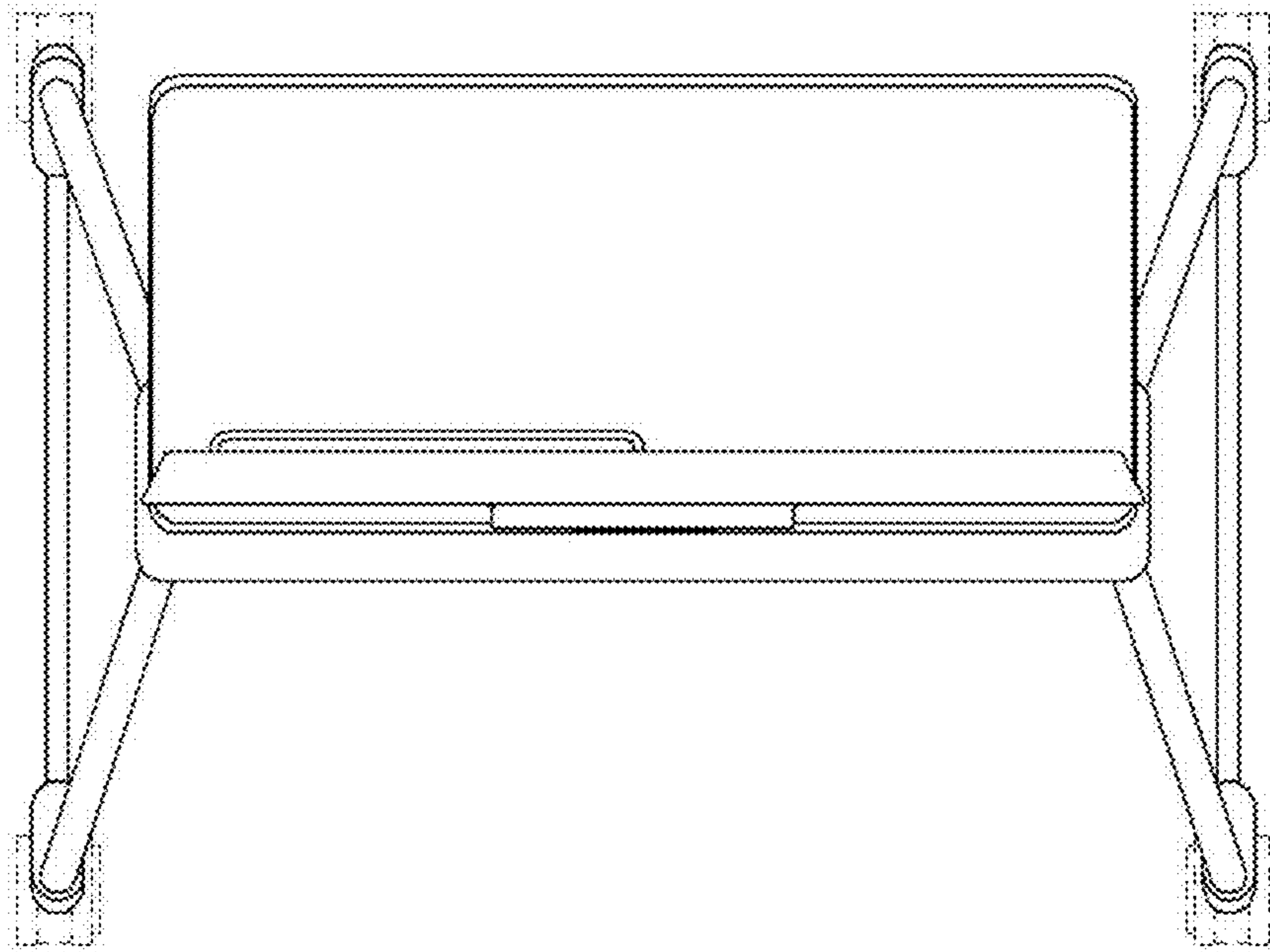
1.3



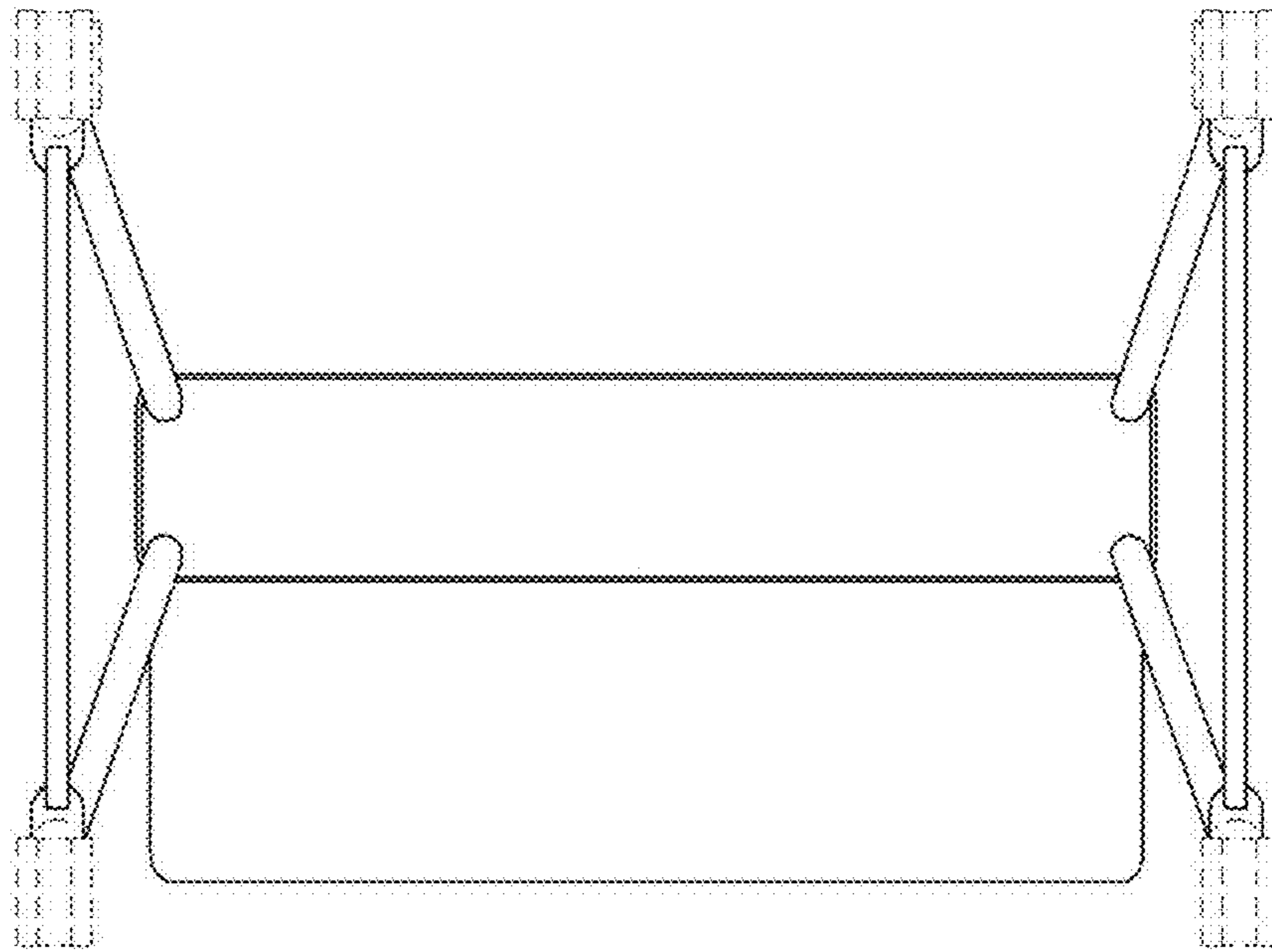
1.4



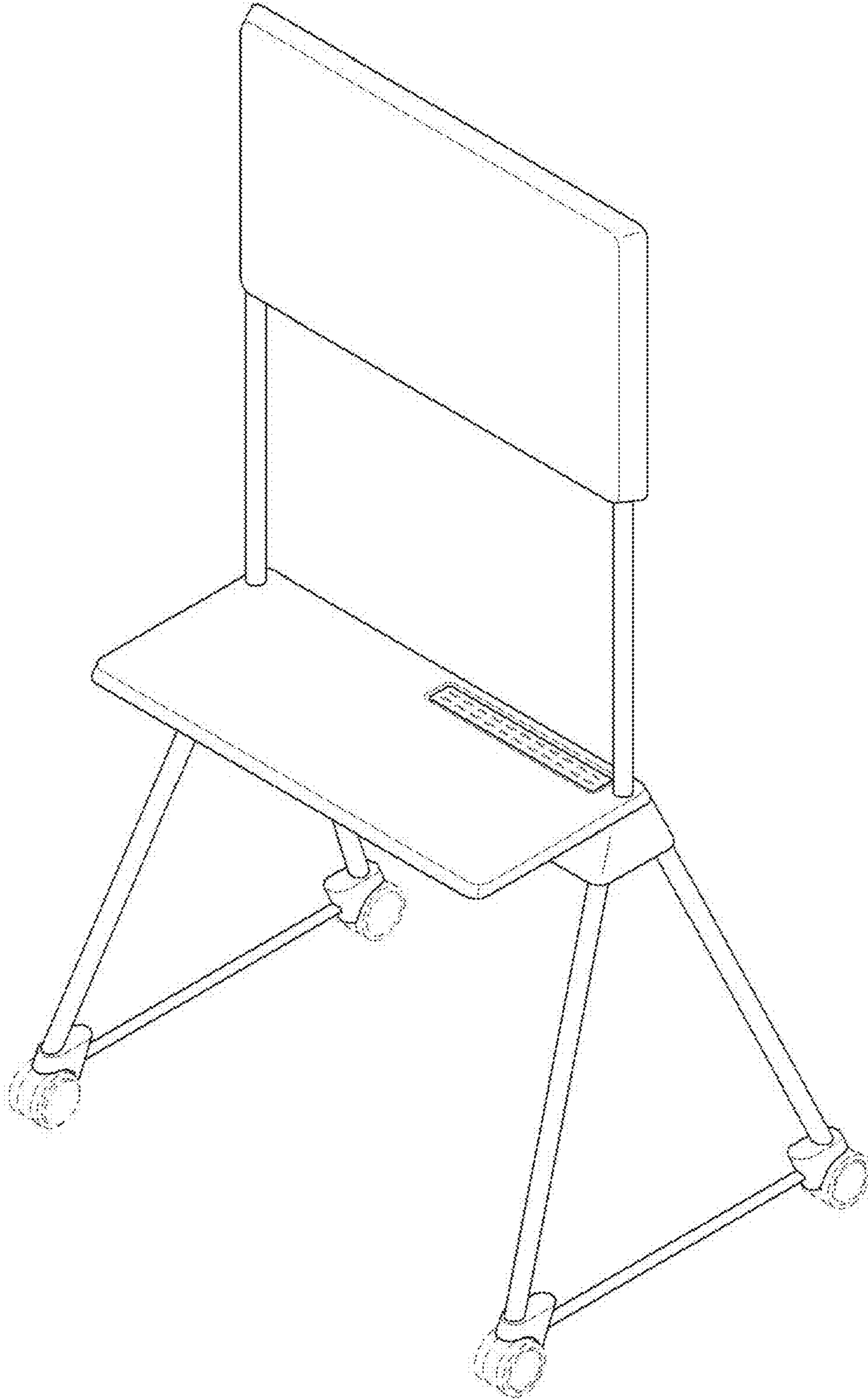
1.5



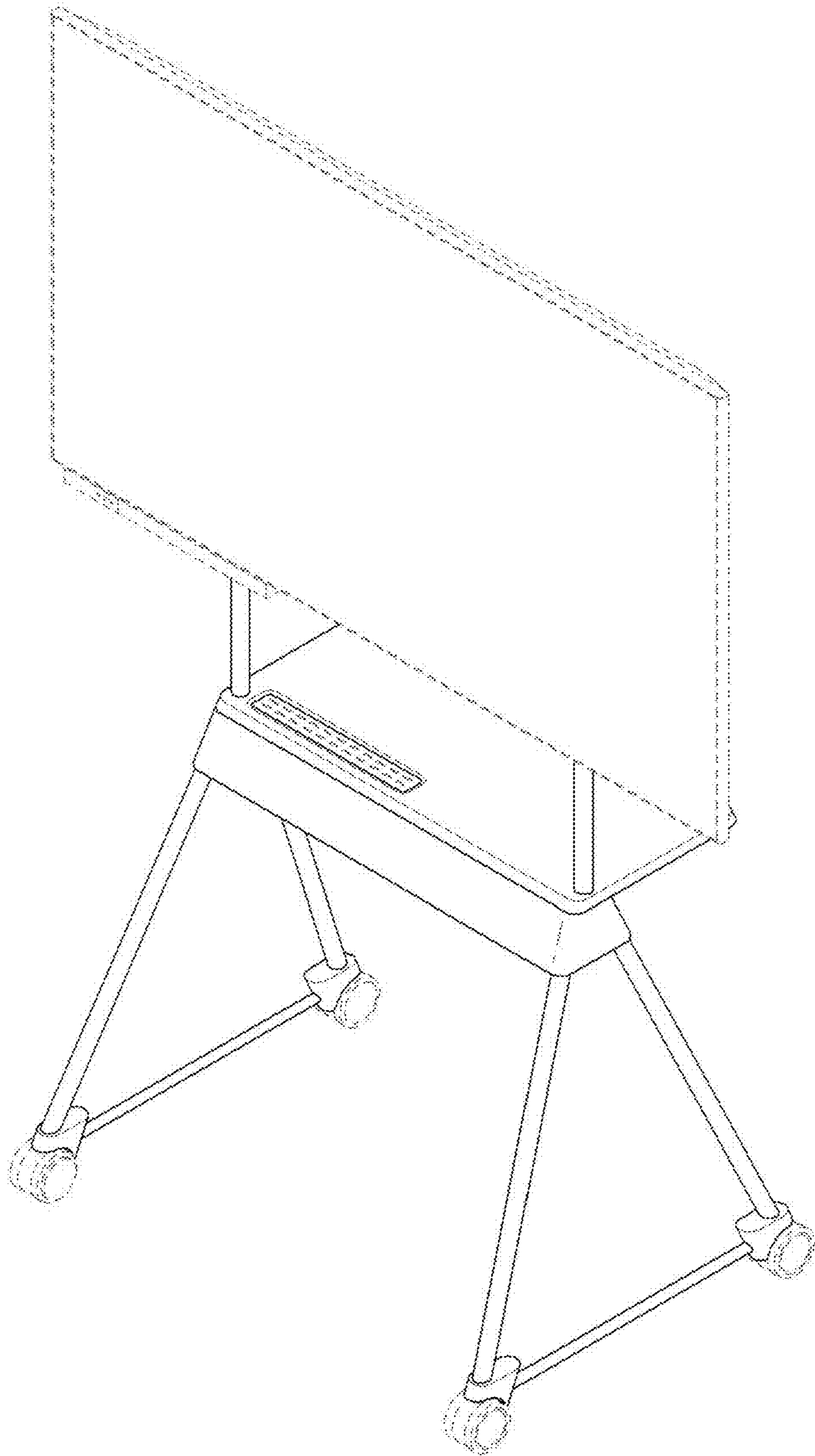
1.6



1.7



1.8



1.9

