



US00D940228S

(12) **United States Design Patent**
Ke

(10) **Patent No.:** **US D940,228 S**
(45) **Date of Patent:** **** Jan. 4, 2022**

(54) **BACKGROUND BOARD**

D824,353 S 7/2018 Won
D855,106 S 7/2019 Morita
D870,809 S 12/2019 Bochner

(71) Applicant: **ShenZhen Neewer Technology Co., Ltd.**, Shenzhen (CN)

(72) Inventor: **Yan Ke**, Shenzhen (CN)

(**) Term: **15 Years**

(21) Appl. No.: **29/760,531**

(22) Filed: **Dec. 2, 2020**

(51) **LOC (13) Cl.** **16-05**

(52) **U.S. Cl.**
USPC **D16/241**

(58) **Field of Classification Search**
USPC D16/219, 237-350
CPC G02B 7/00-002; G03B 17/56; G03B
17/561-566; H04N 5/2253-2254
See application file for complete search history.

(56) **References Cited**

U.S. PATENT DOCUMENTS

1,902,373	A *	3/1933	Pineo	G03B 21/58 160/24
1,917,369	A *	7/1933	Heck	G03B 21/58 160/24
2,272,269	A *	2/1942	Heck	G03B 21/58 160/24
3,324,928	A *	6/1967	Muller	G03B 21/58 160/24
4,017,152	A *	4/1977	Allen	G03B 21/58 359/443
4,169,658	A *	10/1979	Brown	G03B 21/58 352/36
7,316,257	B2 *	1/2008	Cameron	G03B 21/58 160/351
D607,916	S *	1/2010	Orion	D16/241
7,974,004	B2 *	7/2011	Maruyama	G03B 21/58 359/443

OTHER PUBLICATIONS

Neewer Green Screen MT. [online] Retrieved Nov. 4, 2021 from URL: <https://neewer.com/collections/summer-sale-backdrop/products/neewer-green-screen-mt-10096364> (Year: 2021).*
Mustang SC-T6011 Tripod Screen. [online] Published on Oct. 30, 2014. Retrieved Nov. 4, 2021 from URL: <https://www.projectorscreen.com/store/p/98363-Mustang-SC-T6011-Tripod-Screen-85-diag-60x60-Square-1-1-Matte-White-1-0-Gain.html> (Year: 2014).*
Da-Lite 40131 Picture King Projection Screen, [online] Retrieved Nov. 4, 2021 from URL: <https://www.ccisolutions.com/StoreFront/product/da-lite-picture-king-40131-projector-screen> (Year: 2021).*

* cited by examiner

Primary Examiner — Vy N Koenig

(74) *Attorney, Agent, or Firm* — Rumit Ranjit Kanakia

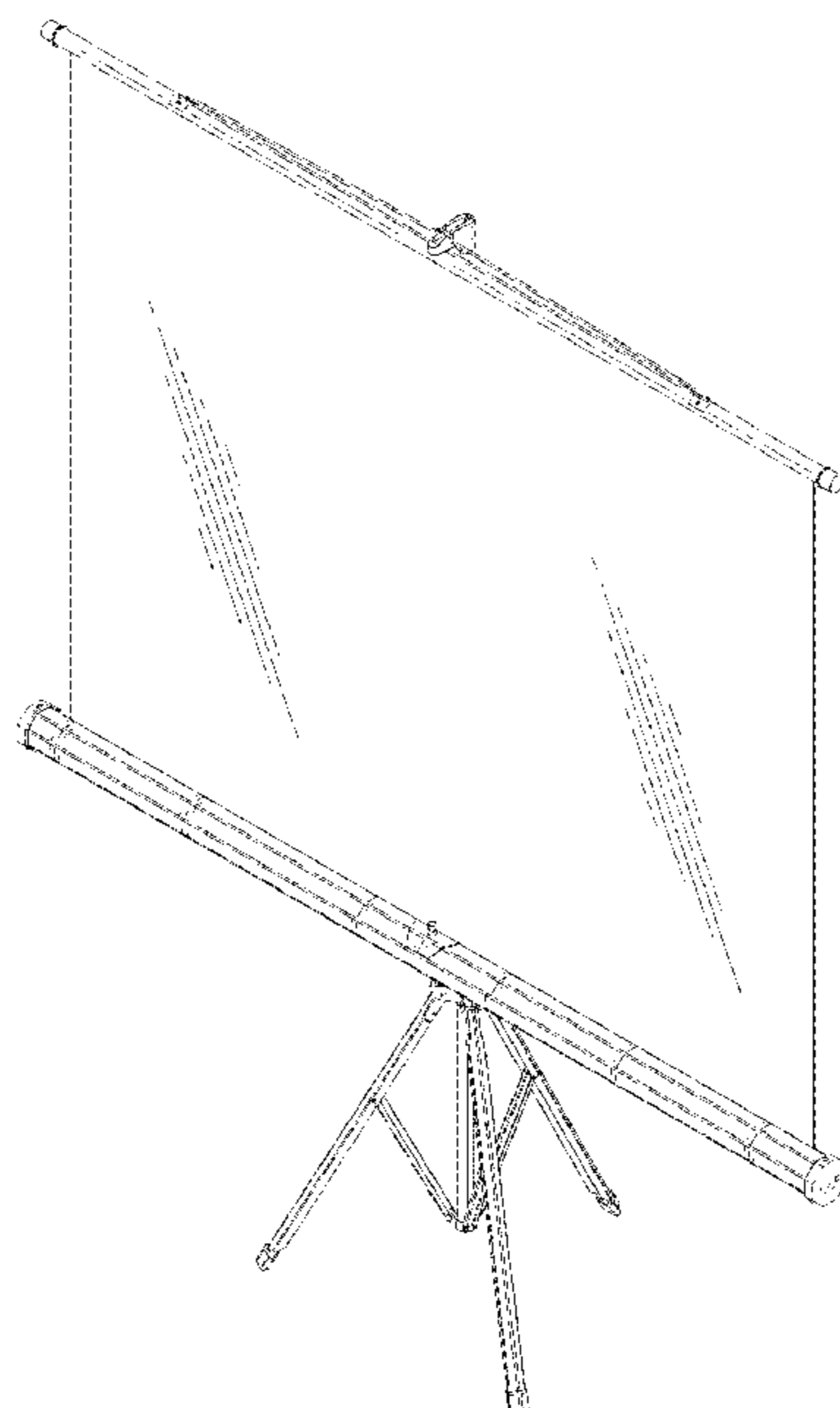
(57) **CLAIM**

I claim the ornamental design for a background board, as shown and described.

DESCRIPTION

FIG. 1 is a Perspective view of a background board showing my new design in open position;
FIG. 2 is Front view thereof;
FIG. 3 is Back view thereof;
FIG. 4 is a Right-side view thereof;
FIG. 5 is a Left-side view thereof;
FIG. 6 is a Top view thereof; and,
FIG. 7 is a Bottom view thereof.
The broken lines in the drawings depict portions of the background board that form no part of the claimed design.

1 Claim, 6 Drawing Sheets



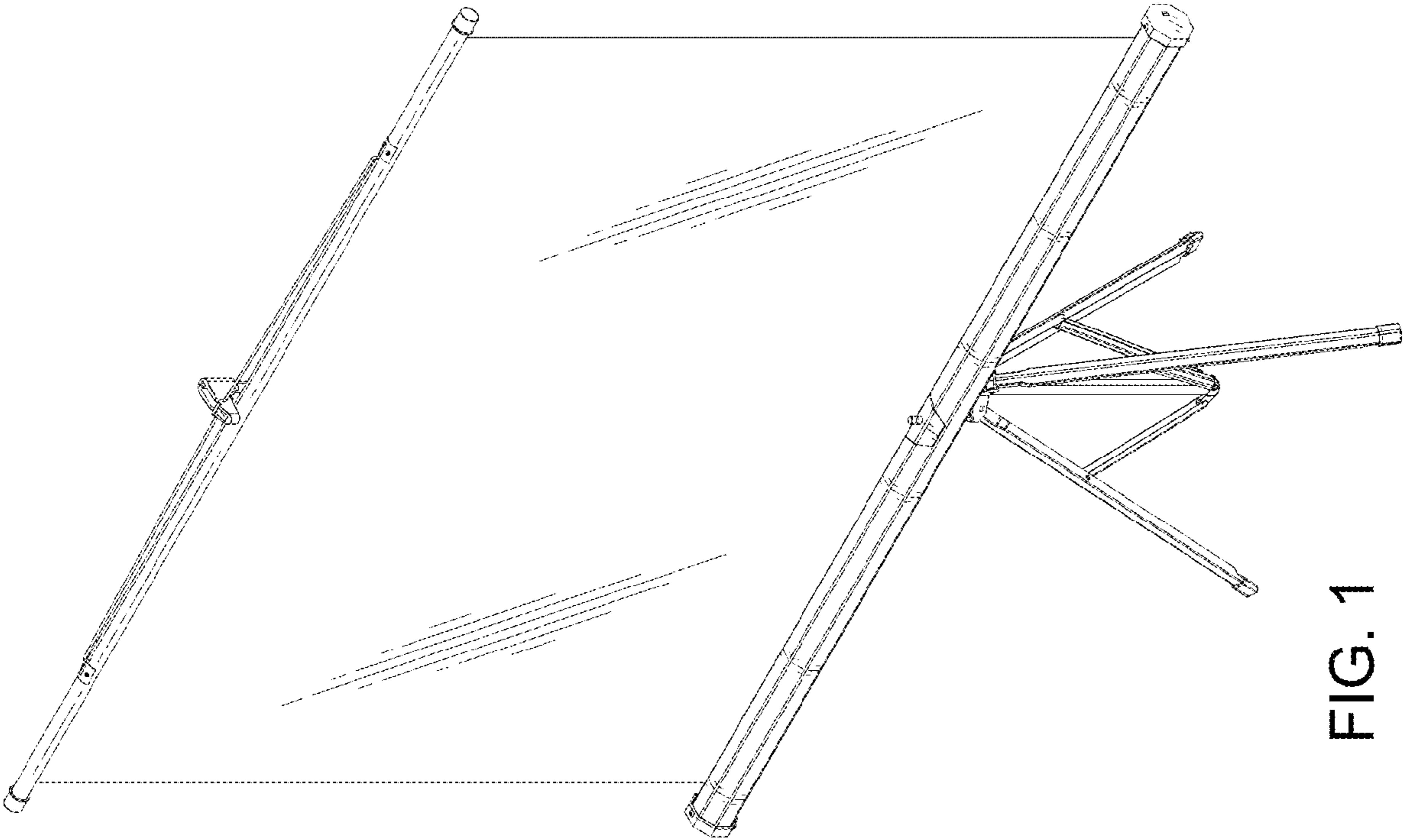


FIG. 1

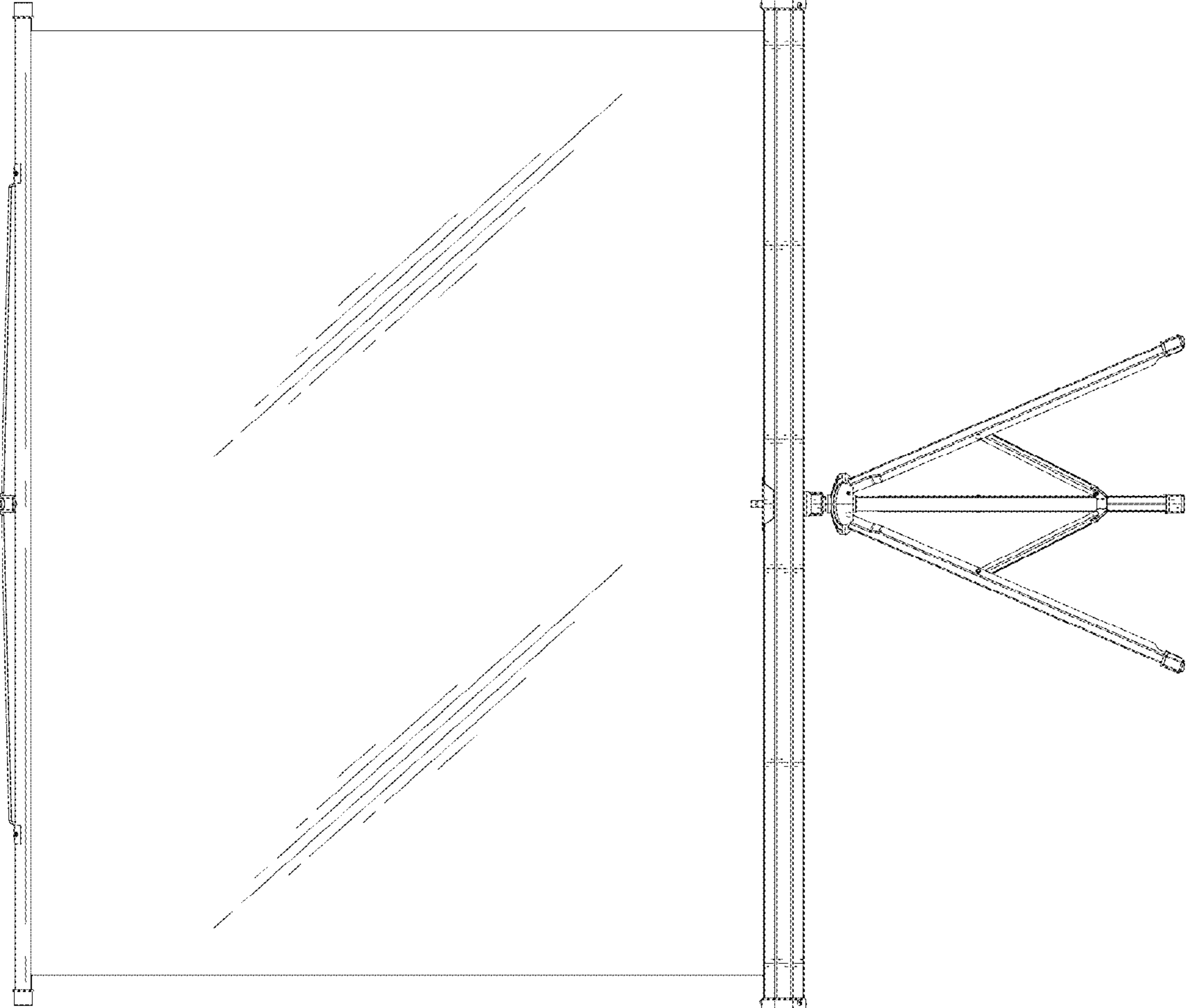


FIG. 2

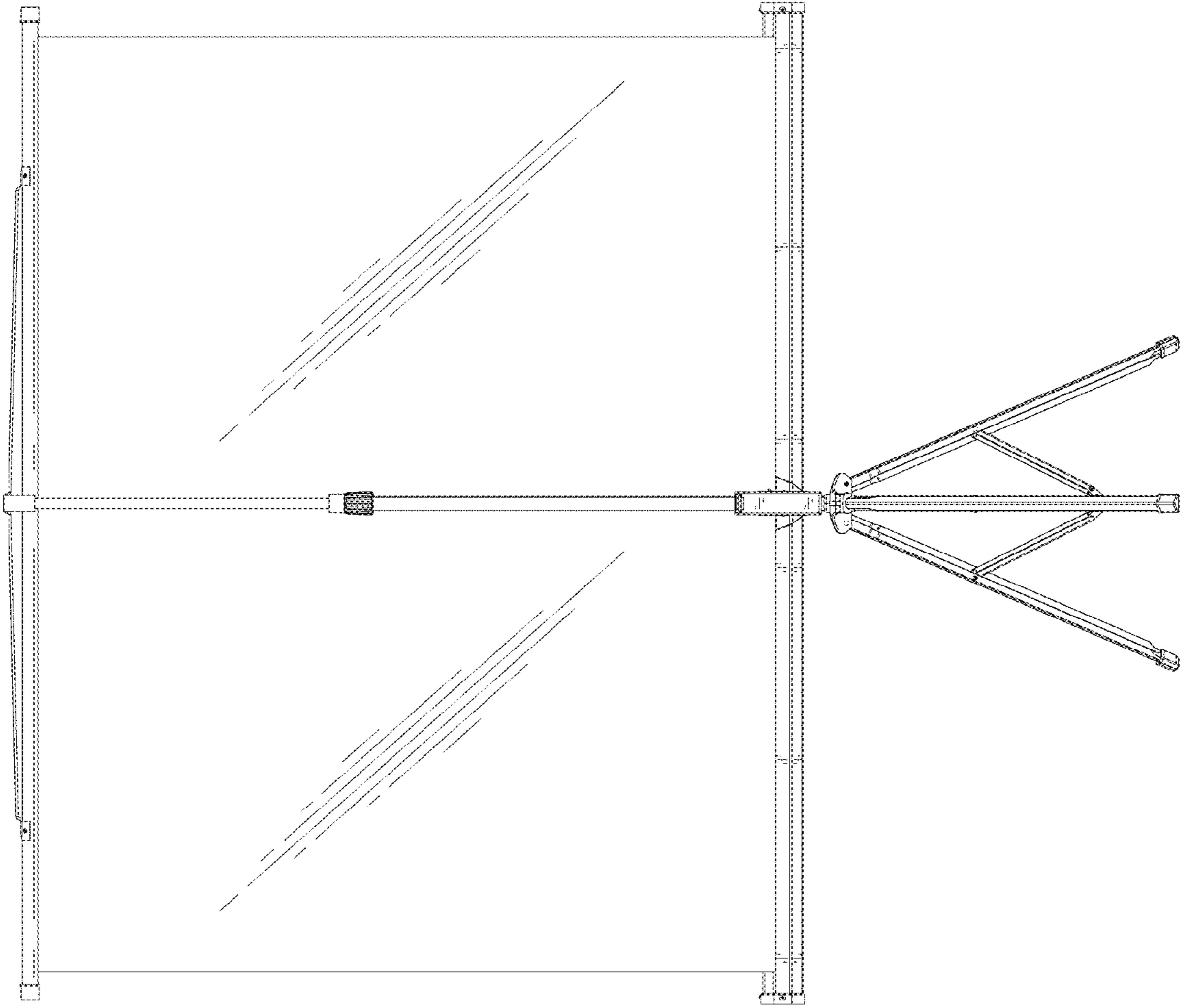


FIG. 3

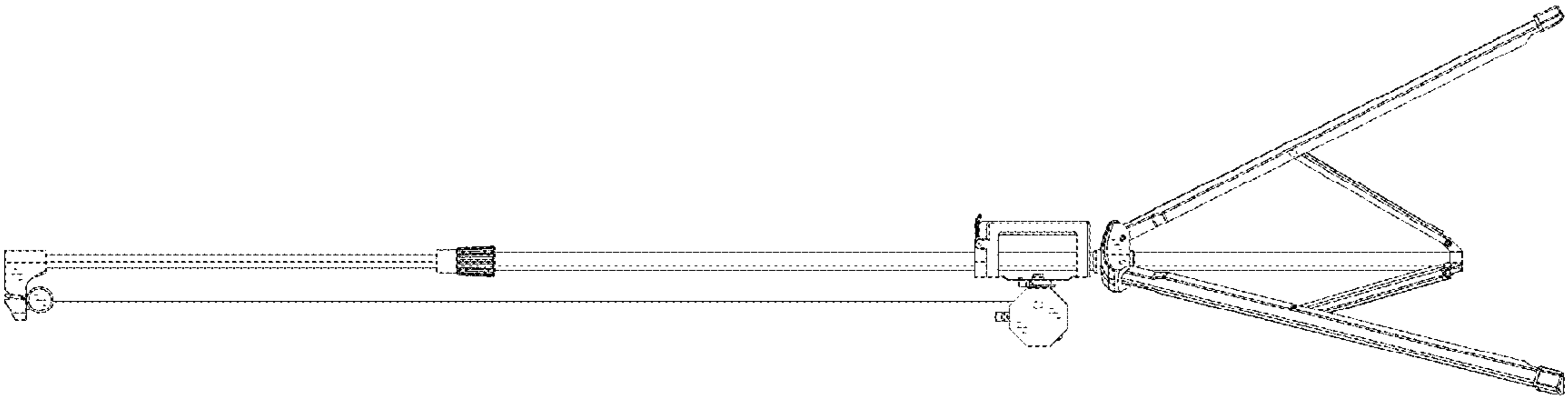


FIG. 4

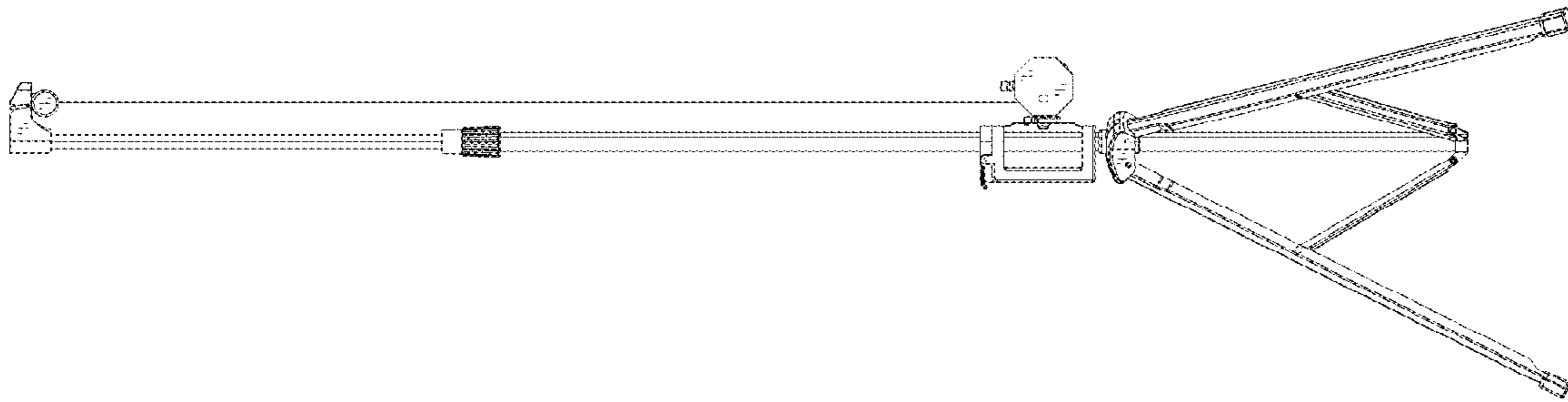


FIG. 5

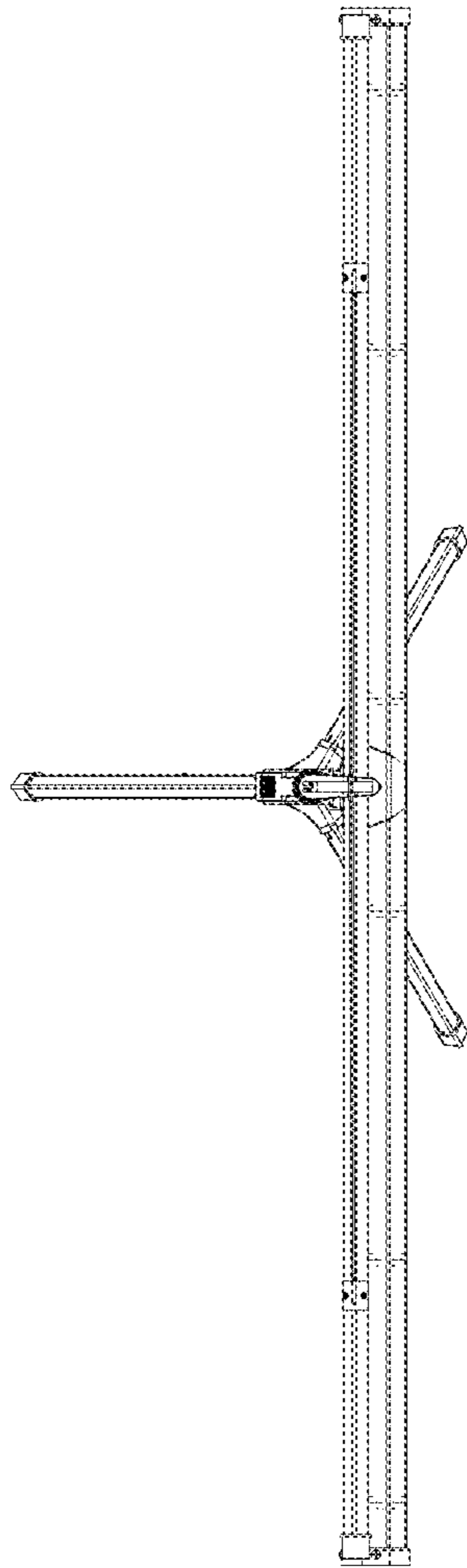


FIG. 6

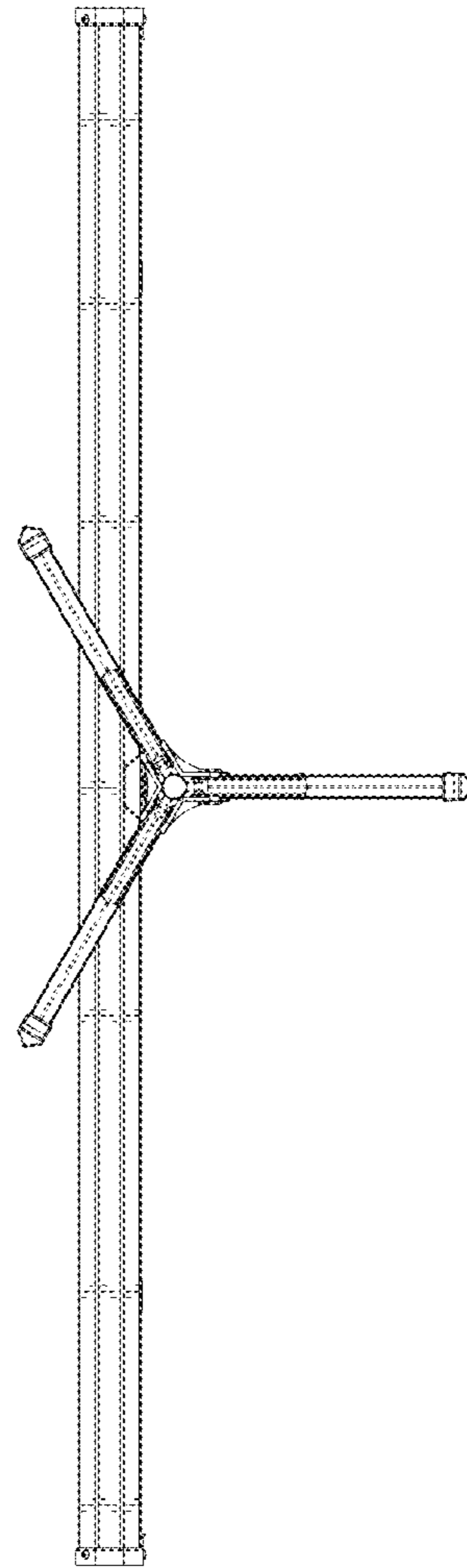


FIG. 7