



US00D940227S

(12) **United States Design Patent**
Sasaki

(10) **Patent No.:** **US D940,227 S**
(45) **Date of Patent:** **** Jan. 4, 2022**

- (54) **DIGITAL STILL CAMERA**
- (71) Applicant: **Panasonic Intellectual Property Management Co., Ltd., Osaka (JP)**
- (72) Inventor: **Atsushi Sasaki, Hyogo (JP)**
- (73) Assignee: **Panasonic Intellectual Property Management Co., Ltd., Osaka (JP)**

D749,658 S *	2/2016	Watanabe	D16/202
D791,210 S	7/2017	Mori		
D855,099 S *	7/2019	Imai	D16/219
D872,163 S *	1/2020	Imai	D16/219
D885,465 S *	5/2020	Kitade	D16/219
D910,107 S *	2/2021	Miyashita	D16/219
D917,596 S *	4/2021	Takahashi	D16/202

(**) Term: **15 Years**

(21) Appl. No.: **29/717,241**

(22) Filed: **Dec. 16, 2019**

(51) **LOC (13) Cl.** **16-05**

(52) **U.S. Cl.**
USPC **D16/219**

(58) **Field of Classification Search**
 USPC D16/200, 202–206, 208, 209, 218, 219;
 348/294, 373–376; 359/826; 396/6, 301,
 396/529, 535, 539–541
 CPC G03B 15/03; G03B 17/02; G03B 17/04;
 G03B 17/08; G03B 17/56; G03B 19/04;
 H04N 5/2251; H04N 5/2252; H04N
 5/2253; H04N 5/2254; H04N 2101/00
 See application file for complete search history.

(56) **References Cited**

U.S. PATENT DOCUMENTS

D701,550 S *	3/2014	Umehara	D16/202
D719,993 S *	12/2014	Soejima	D16/202
D720,787 S *	1/2015	Tainaka	D16/202
D724,130 S *	3/2015	Ham	D16/202
D724,131 S *	3/2015	Kim	D16/219
D732,099 S *	6/2015	Nagaoka	D16/202
D746,351 S *	12/2015	Sogabe	D16/217

FOREIGN PATENT DOCUMENTS

JP D1534833 S 10/2015

* cited by examiner

Primary Examiner — Ramzi Almatrahi

(74) *Attorney, Agent, or Firm* — Crowell & Moring LLP

(57) **CLAIM**

I claim the ornamental design for a digital still camera, as shown and described.

DESCRIPTION

FIG. 1 is a top, rear and right side perspective view of a digital still camera showing my new design;
 FIG. 2 is a bottom, rear and left side perspective view thereof;
 FIG. 3 is a rear view thereof;
 FIG. 4 is a left side view thereof;
 FIG. 5 is a right side view thereof;
 FIG. 6 is a top view thereof;
 FIG. 7 is a bottom view thereof; and,
 FIG. 8 is an enlarged view of the portion indicated by lines 8-8 in FIG. 2.

The broken lines depict portions of the digital still camera in which the design is embodied that form no part of the claimed design. Additionally, the dash-dot lines denote the boundary of the claim and form no part of the claimed design.

1 Claim, 8 Drawing Sheets

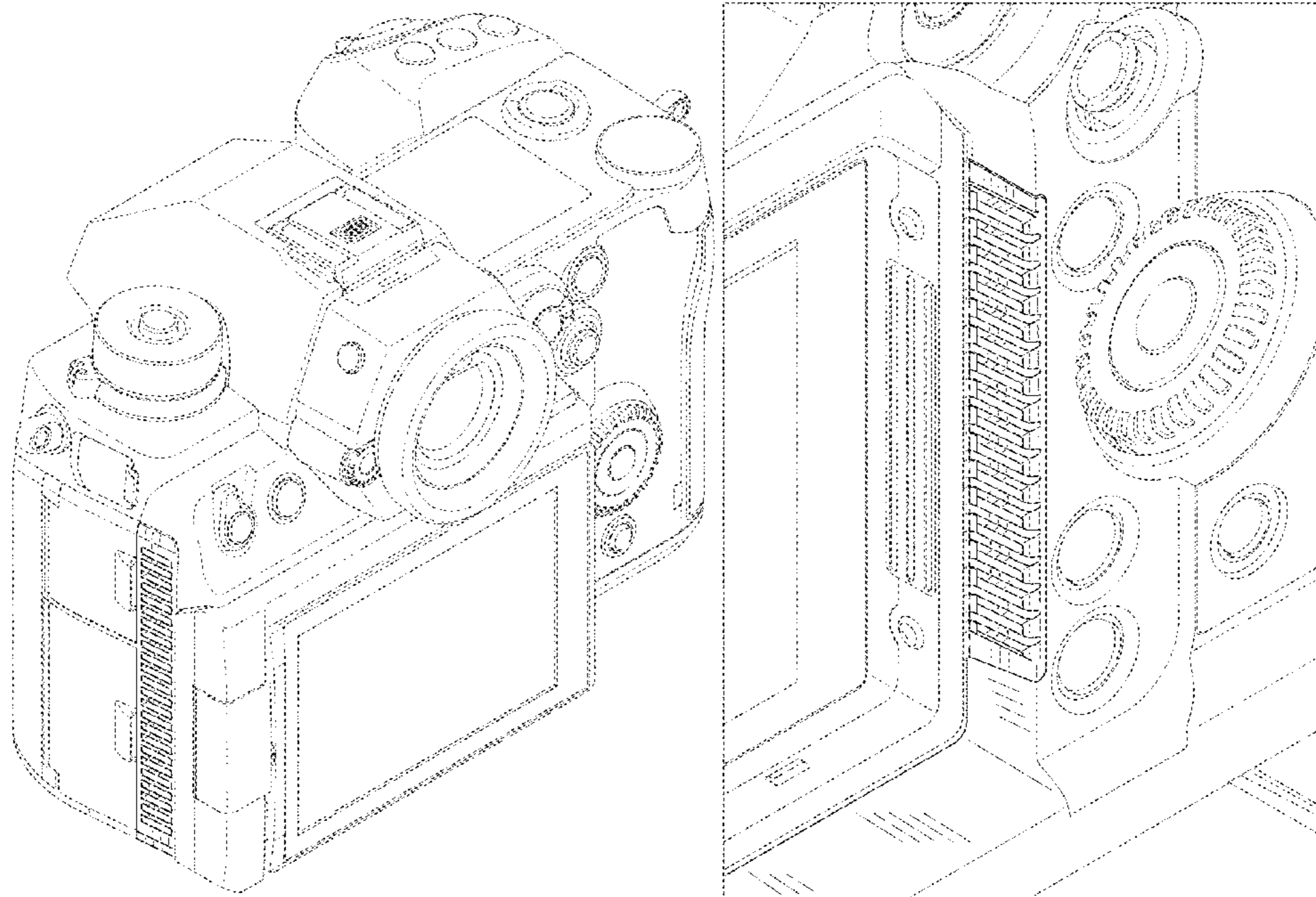


FIG. 1

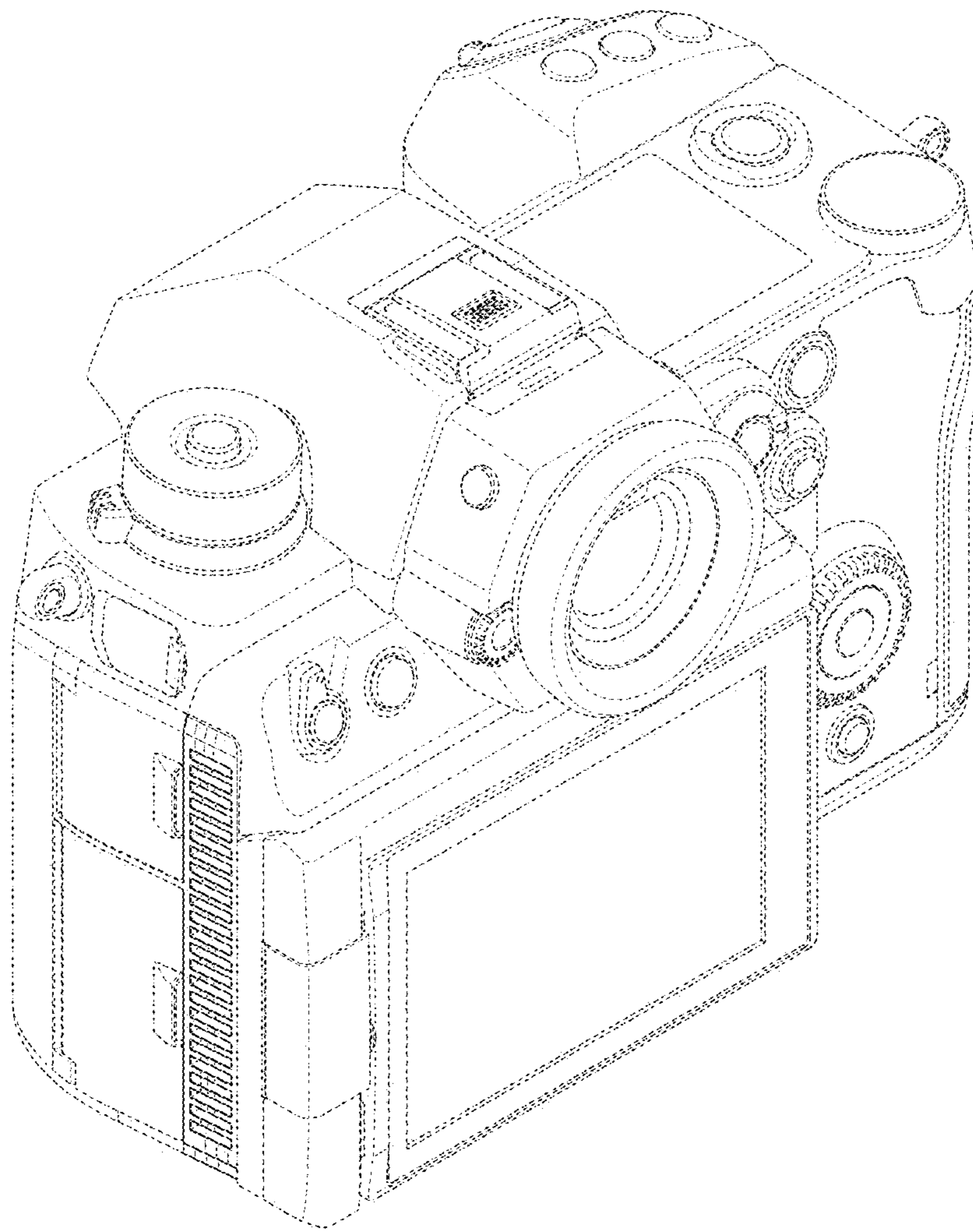


FIG. 2

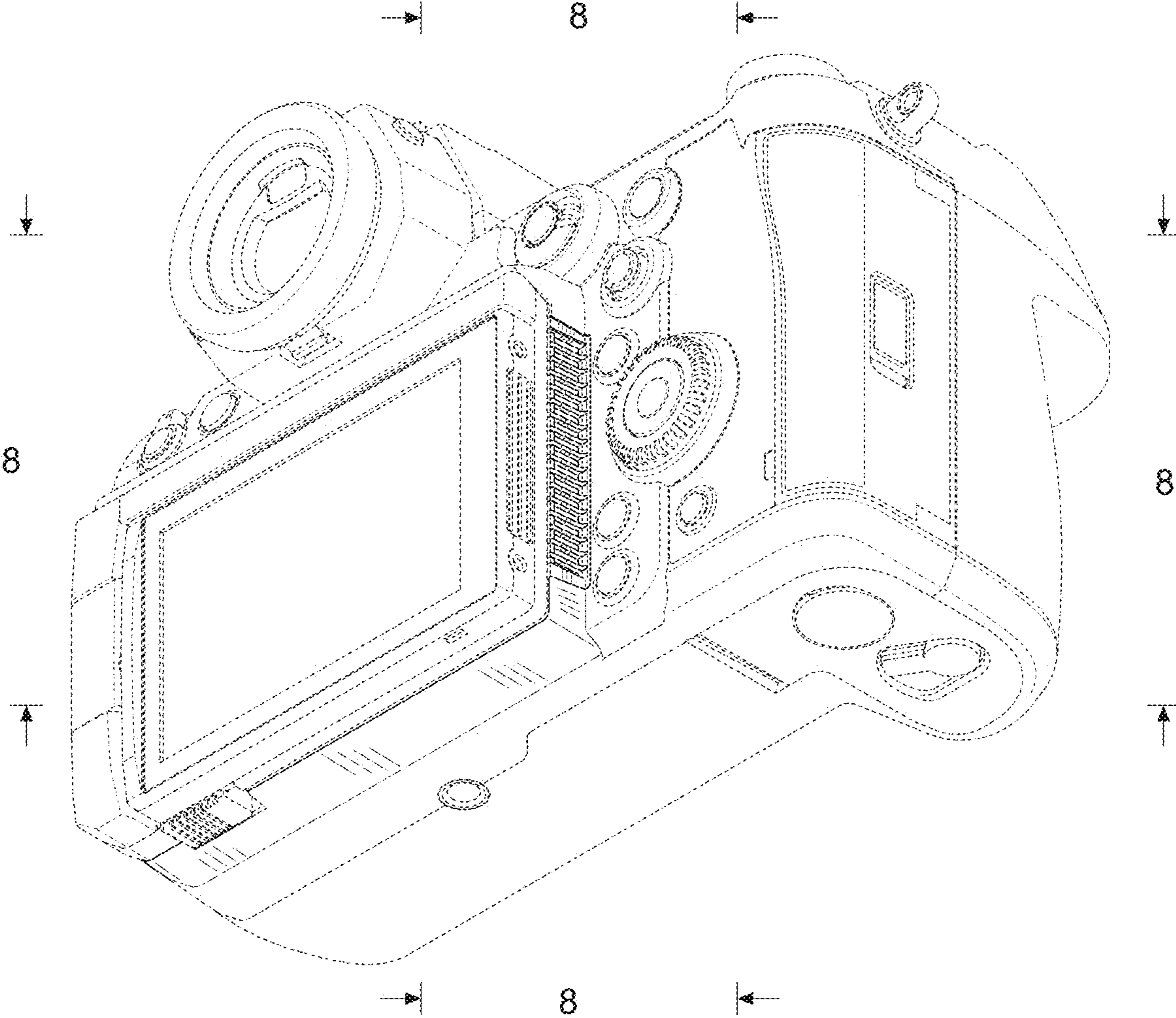


FIG. 3

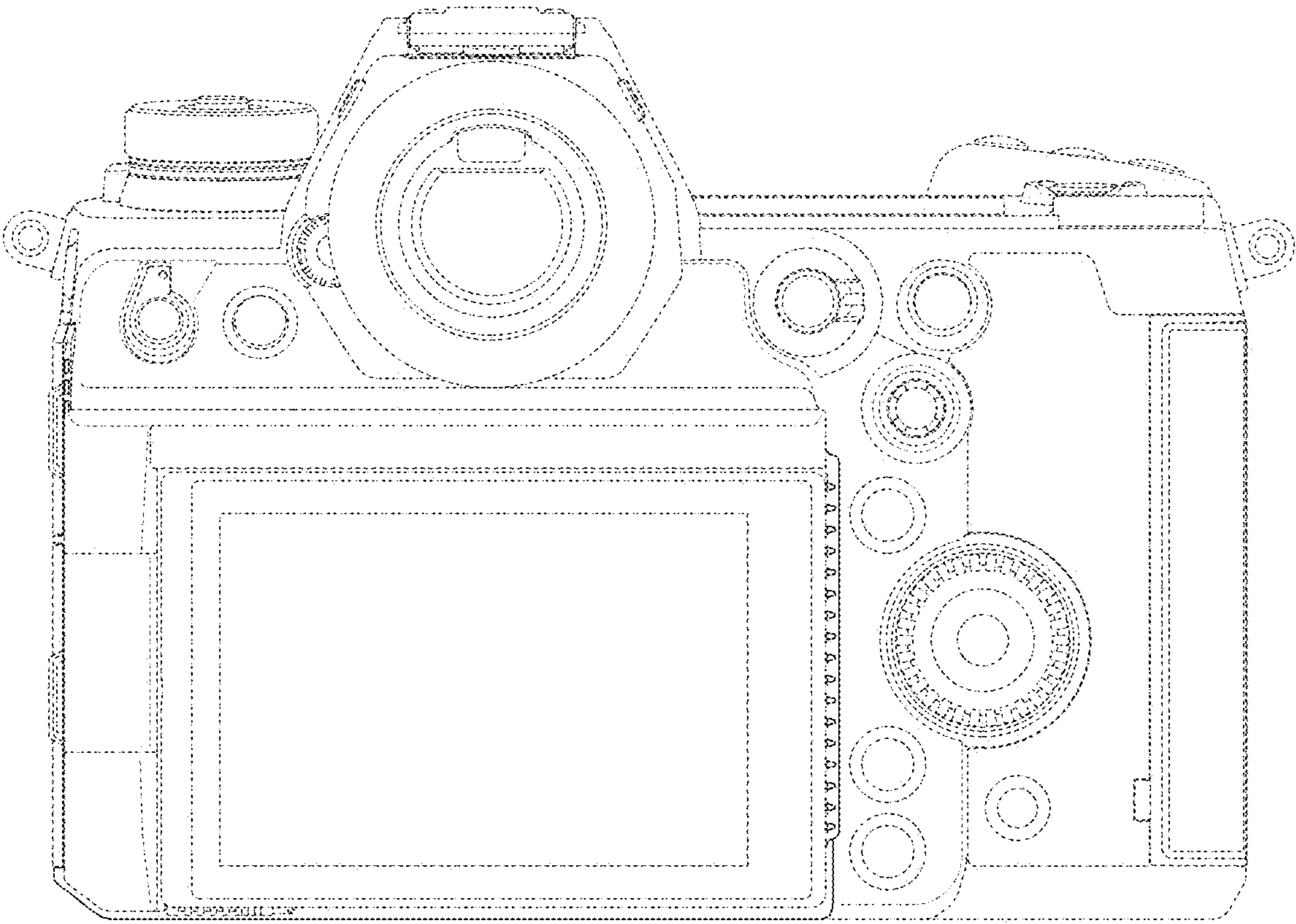


FIG. 4

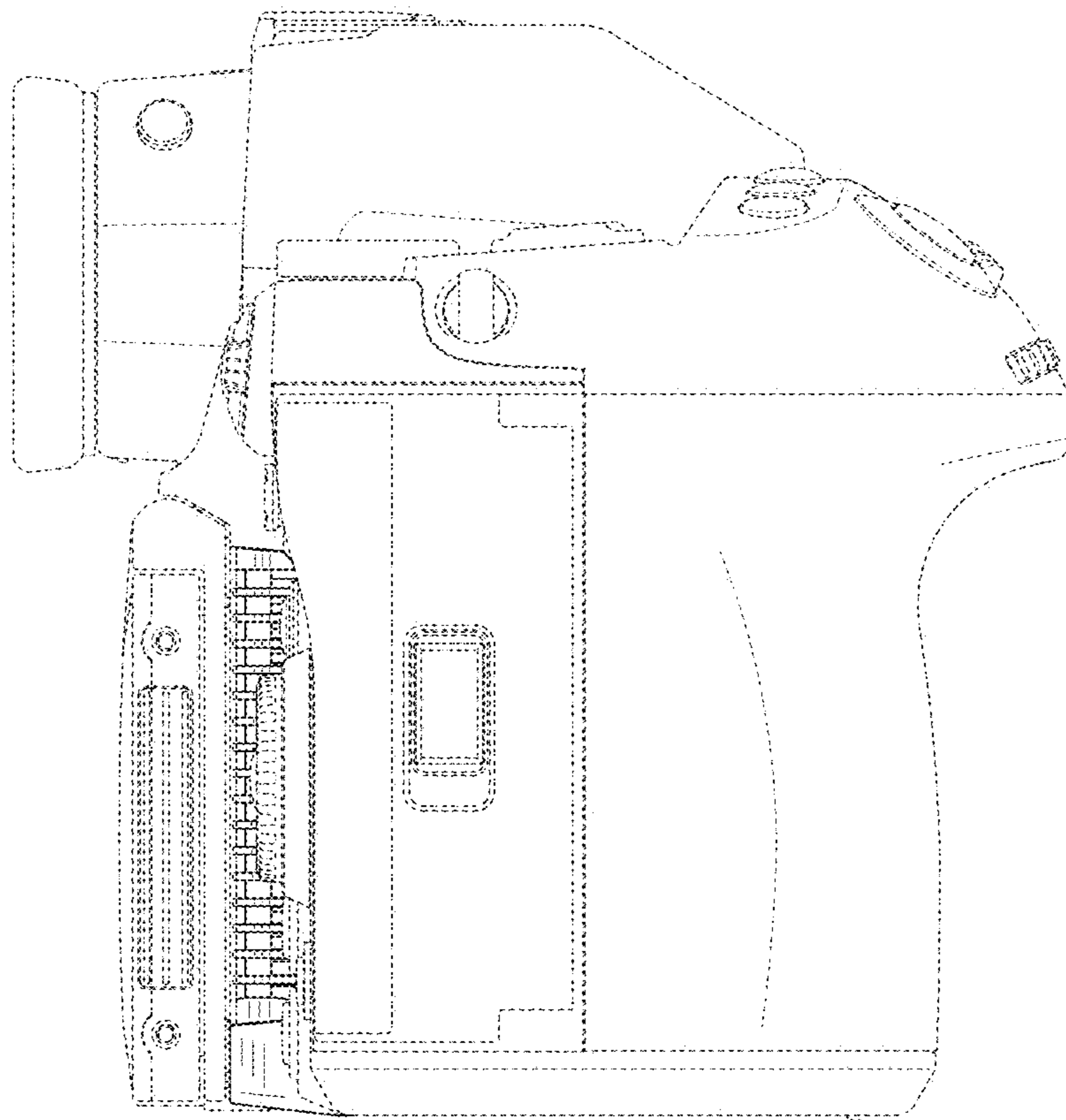


FIG. 5

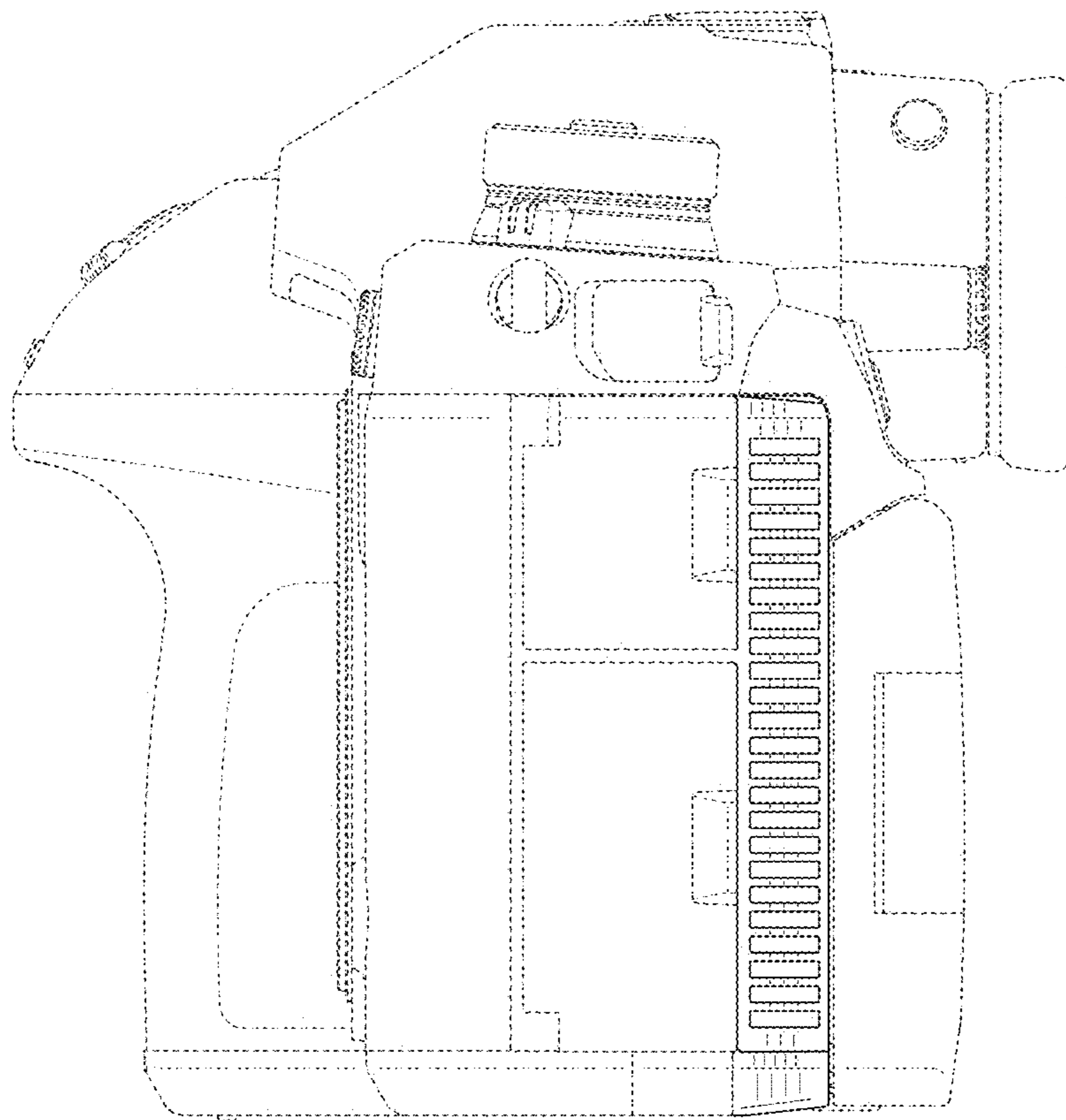


FIG. 6

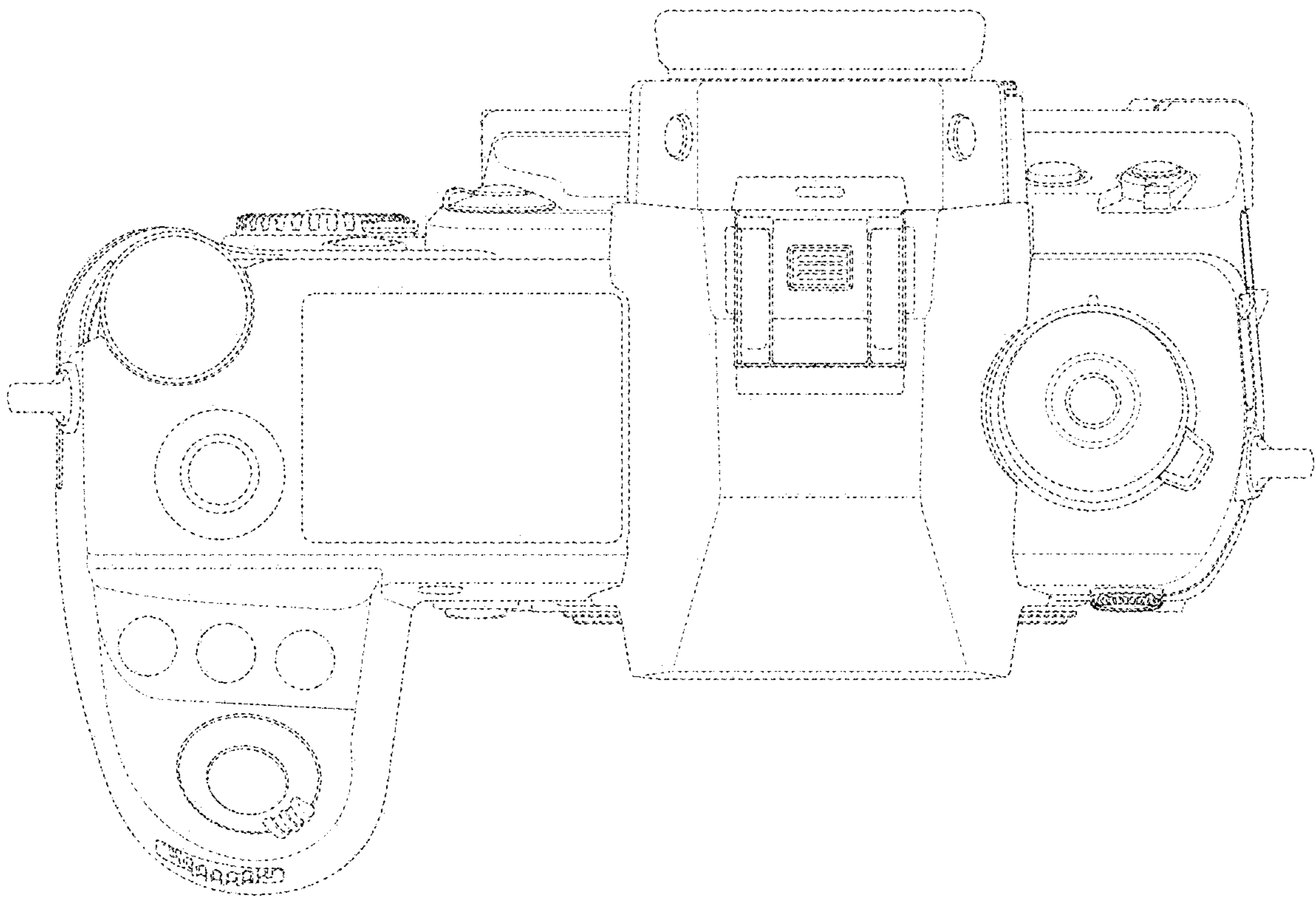


FIG. 7

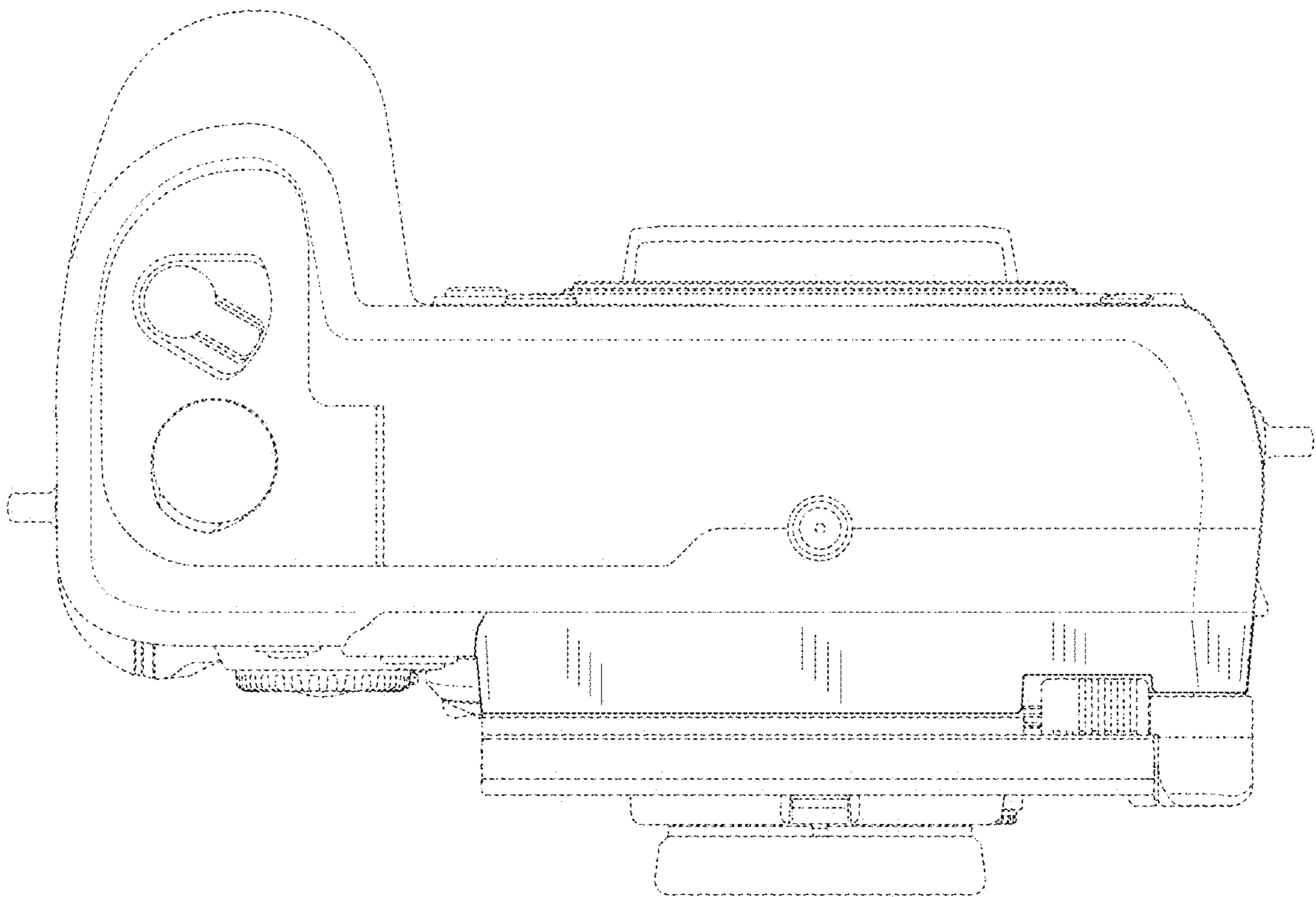


FIG. 8

