



US00D940226S

(12) **United States Design Patent**  
**Wang**

(10) **Patent No.:** **US D940,226 S**  
(45) **Date of Patent:** **\*\* Jan. 4, 2022**

(54) **SECURITY CAMERA**

(71) Applicant: **Shenzhen Bovision Technology Co., Ltd**, Guangdong (CN)

(72) Inventor: **Zhi Wang**, Guangdong (CN)

(73) Assignee: **Shenzhen Bovision Technology Co., Ltd**, Shenzhen (CN)

(\*\*) Term: **15 Years**

(21) Appl. No.: **29/737,650**

(22) Filed: **Jun. 10, 2020**

(30) **Foreign Application Priority Data**

May 18, 2020 (CN) ..... 202030228675.8

(51) **LOC (13) Cl.** ..... **16-01**

(52) **U.S. Cl.**  
USPC ..... **D16/203**

(58) **Field of Classification Search**  
USPC ..... D16/200, 202-206, 218, 219, 242;  
348/143, 148, 151, 373-376; 396/419,  
396/427, 535, 539-541  
CPC ..... G03B 17/02; G03B 19/04; G03B 17/56;  
G03B 17/04; G03B 15/03; H04N 5/2251;  
H04N 5/2252; H04N 5/2253; H04N  
5/2254; H04N 7/181; H04N 7/183; H04N  
7/18; G08B 13/1963; G08B 13/19619;  
G08B 13/19632; F16M 11/04; F16M  
13/00

See application file for complete search history.

(56) **References Cited**

**U.S. PATENT DOCUMENTS**

D585,926 S \* 2/2009 Su ..... D16/203  
D634,345 S \* 3/2011 Kim ..... D16/203

D637,640 S \* 5/2011 Park ..... D16/203  
D691,187 S \* 10/2013 Seo ..... D16/203  
D739,888 S \* 9/2015 Liang ..... D16/203  
D809,046 S \* 1/2018 Hatcher ..... D16/202  
D823,369 S \* 7/2018 Wang ..... D16/203  
D827,013 S \* 8/2018 Ahman ..... D16/203  
D827,691 S \* 9/2018 Zhong ..... D16/203  
D857,078 S \* 8/2019 Xue ..... D16/203  
D874,534 S \* 2/2020 Matsuo ..... D16/203  
D881,970 S \* 4/2020 Peng ..... D16/203  
D896,297 S \* 9/2020 Park ..... D16/203

\* cited by examiner

*Primary Examiner* — Ramzi Almatrahi

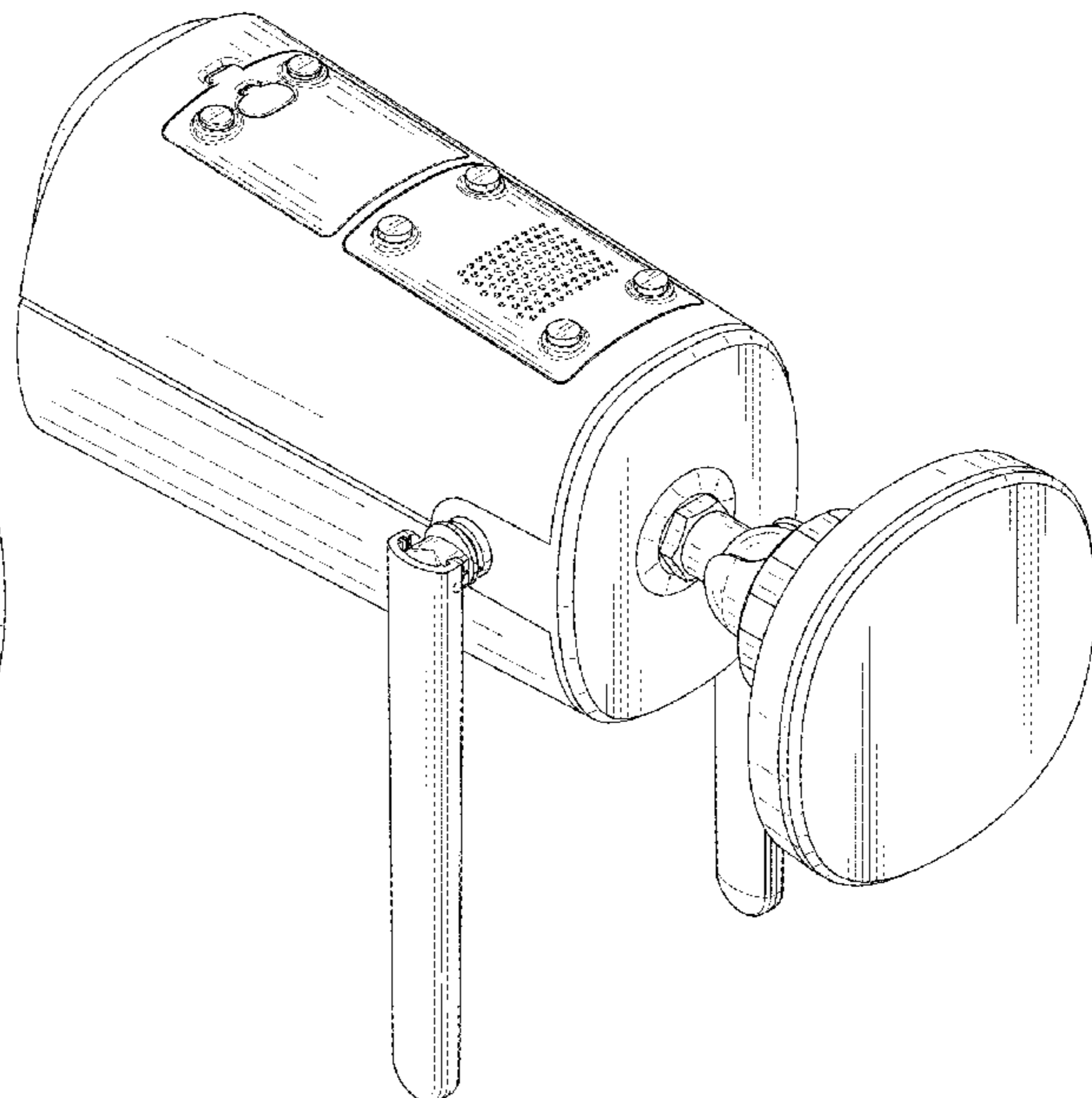
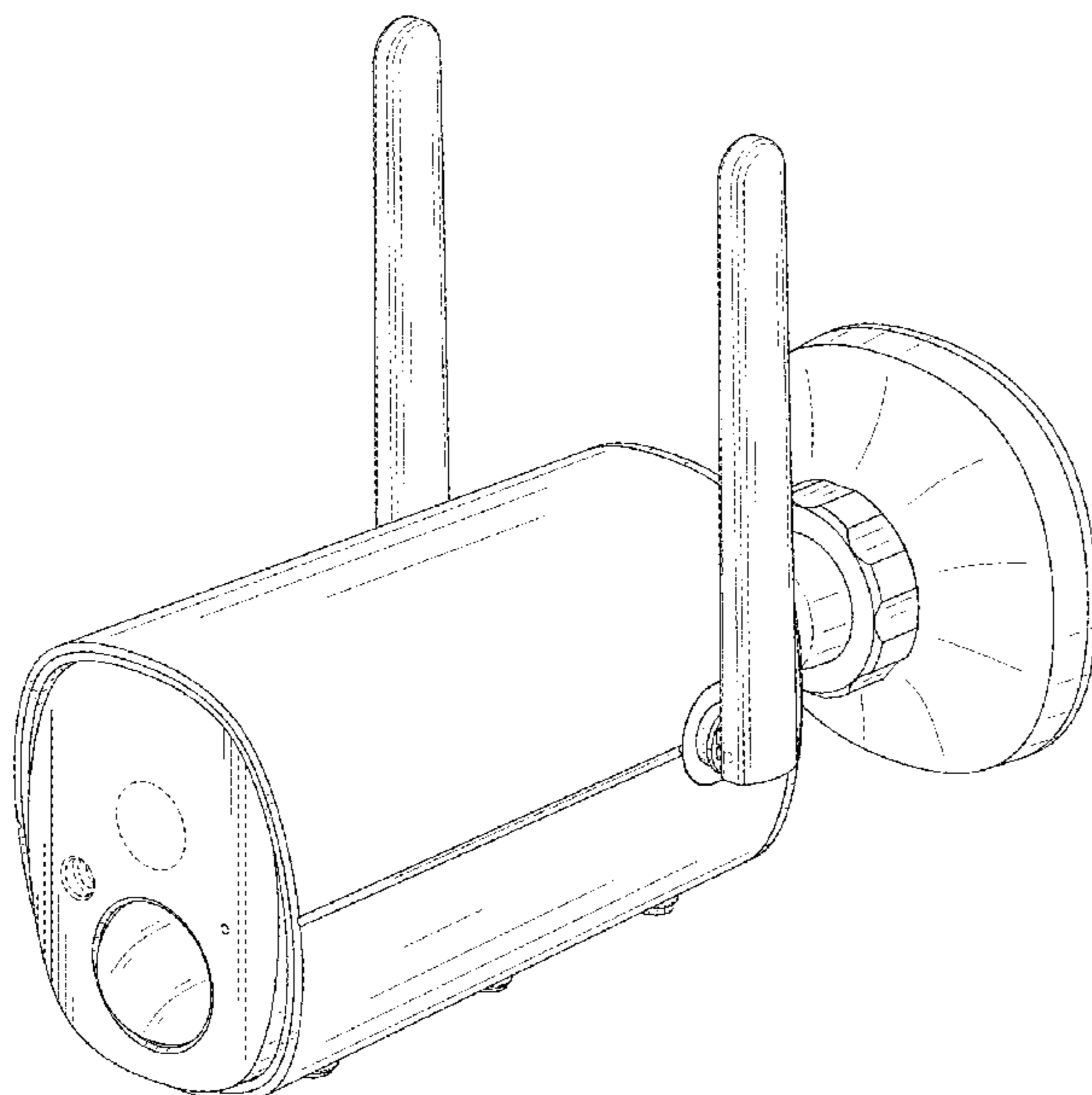
(57) **CLAIM**

The ornamental design for a security camera, as shown and described.

**DESCRIPTION**

FIG. 1 is a top, front and right side perspective view of a security camera showing my new design;  
FIG. 2 is a bottom, rear and left side perspective view thereof;  
FIG. 3 is a front elevational view thereof;  
FIG. 4 is a rear elevational view thereof;  
FIG. 5 is a left side elevational view thereof;  
FIG. 6 is a right side elevational view thereof;  
FIG. 7 is a top plan view thereof;  
FIG. 8 is a bottom plan view thereof; and,  
FIG. 9 is an enlarged view of portion 9 shown in FIG. 4.  
The broken lines depict portions of the security camera in which the design is embodied that form no part of the claimed design. The dot-dash broken lines encircling an enlargement portion of the design forms no part of the claimed design.  
The oblique lines in the drawings represent reflective surfaces.

**1 Claim, 9 Drawing Sheets**



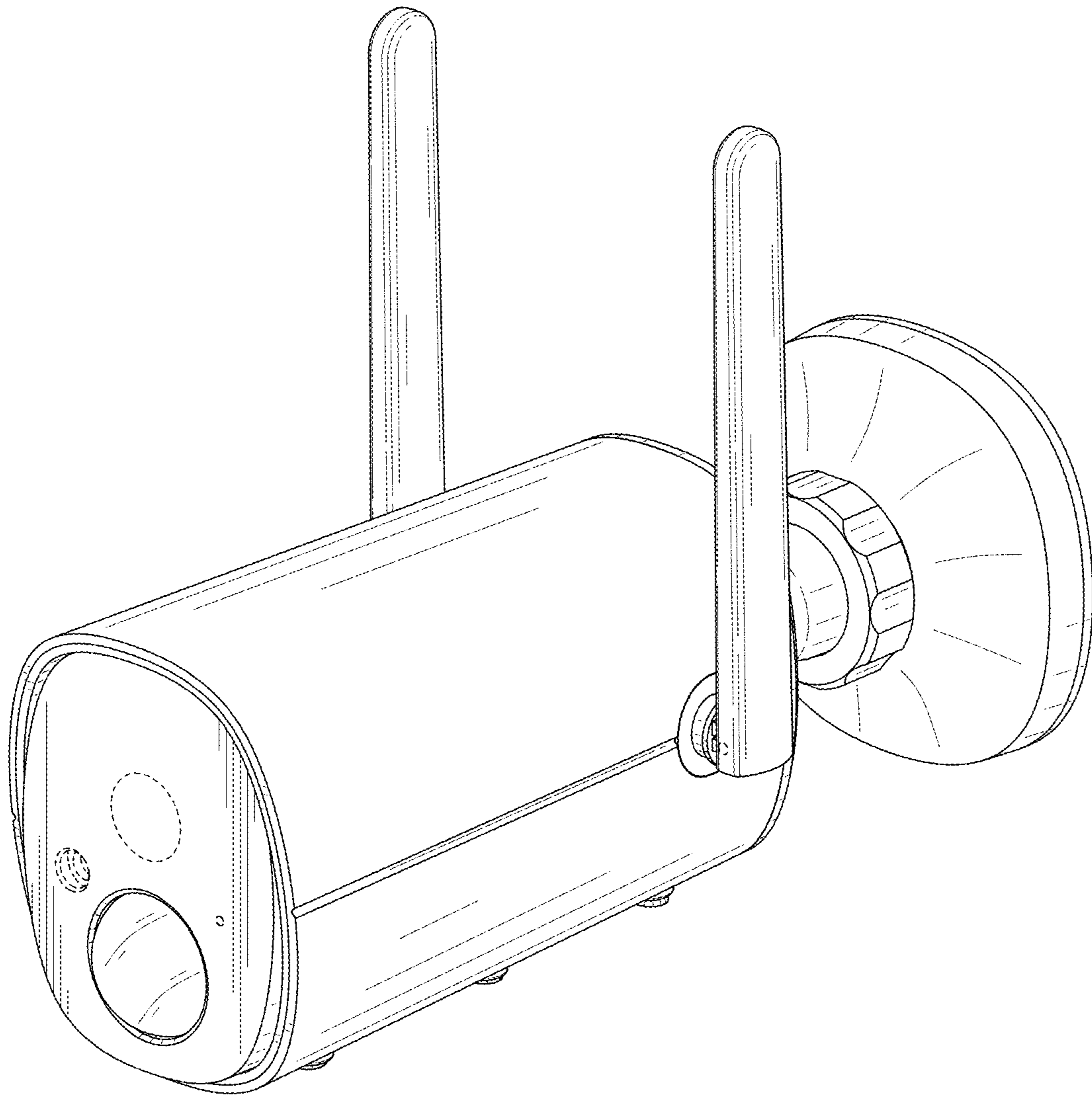


FIG. 1

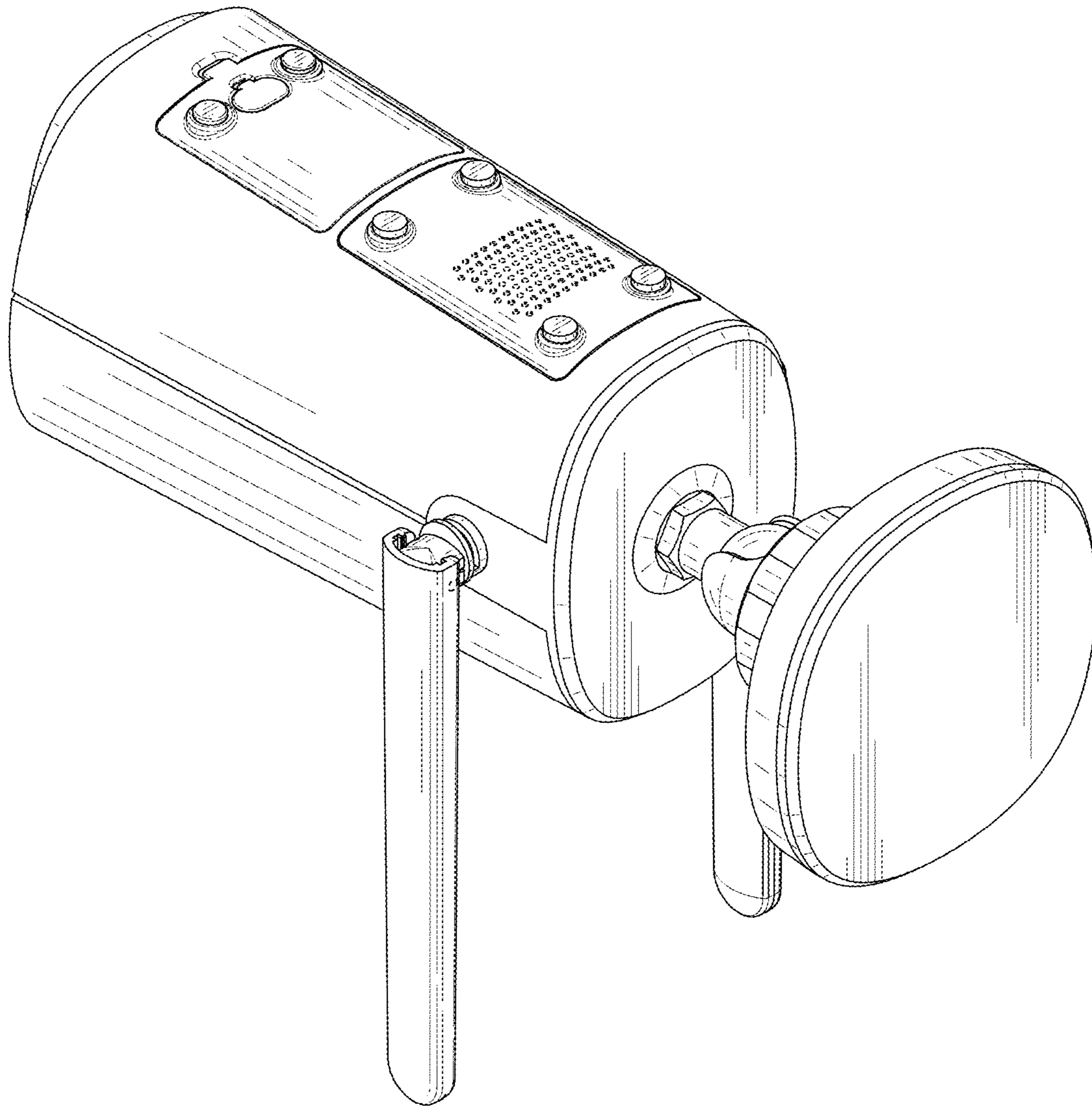


FIG. 2

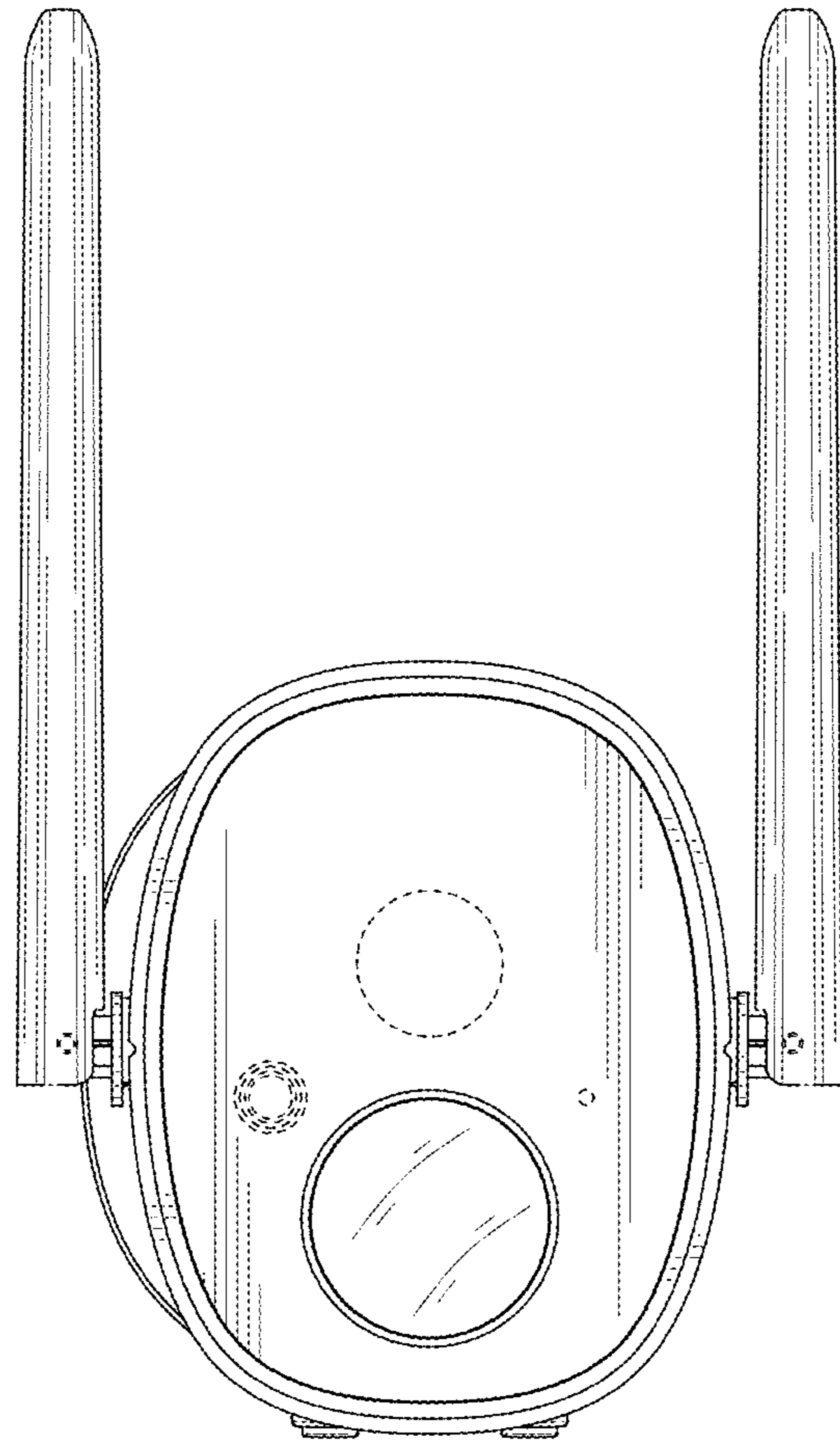


FIG. 3

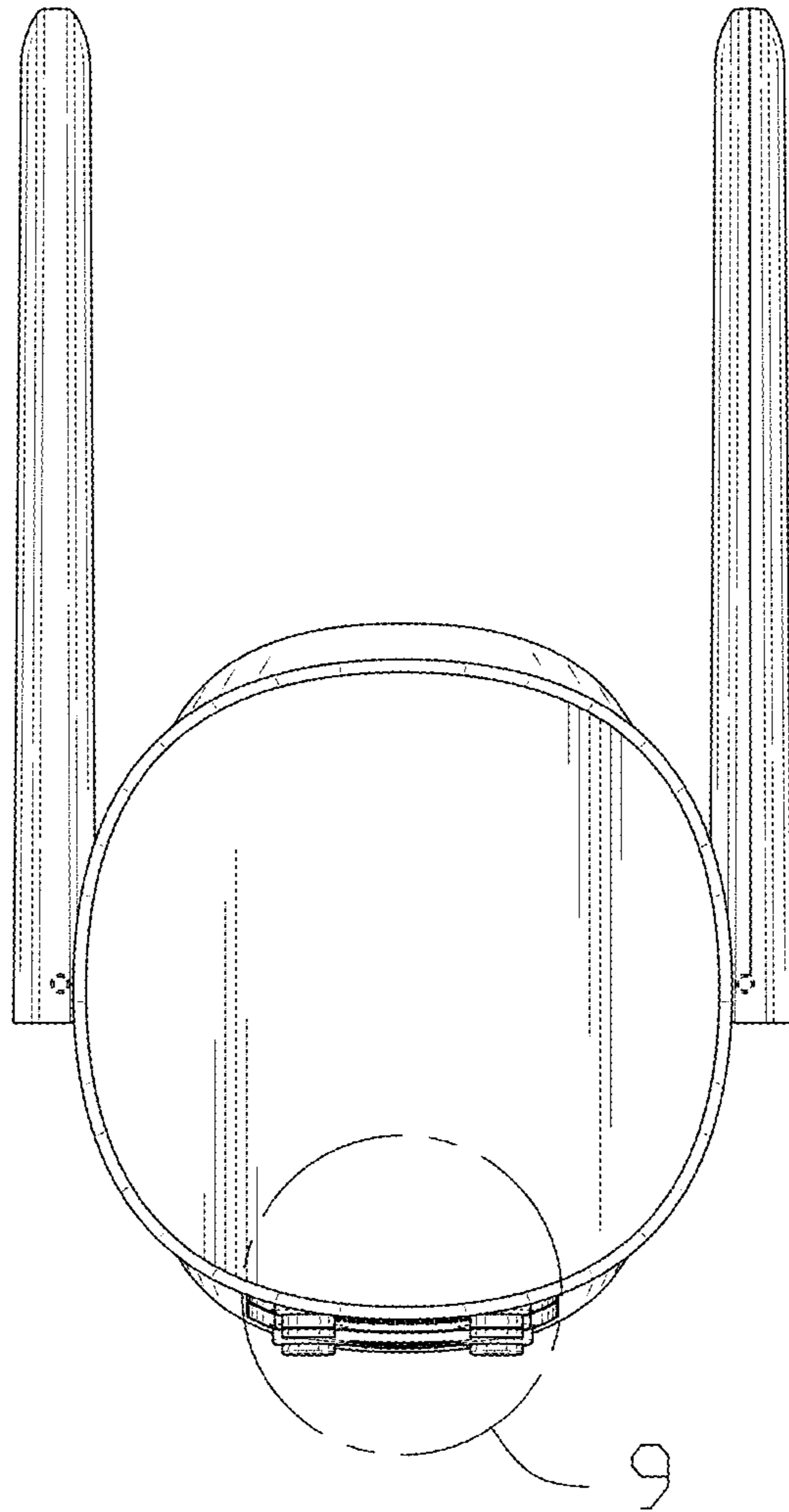


FIG. 4

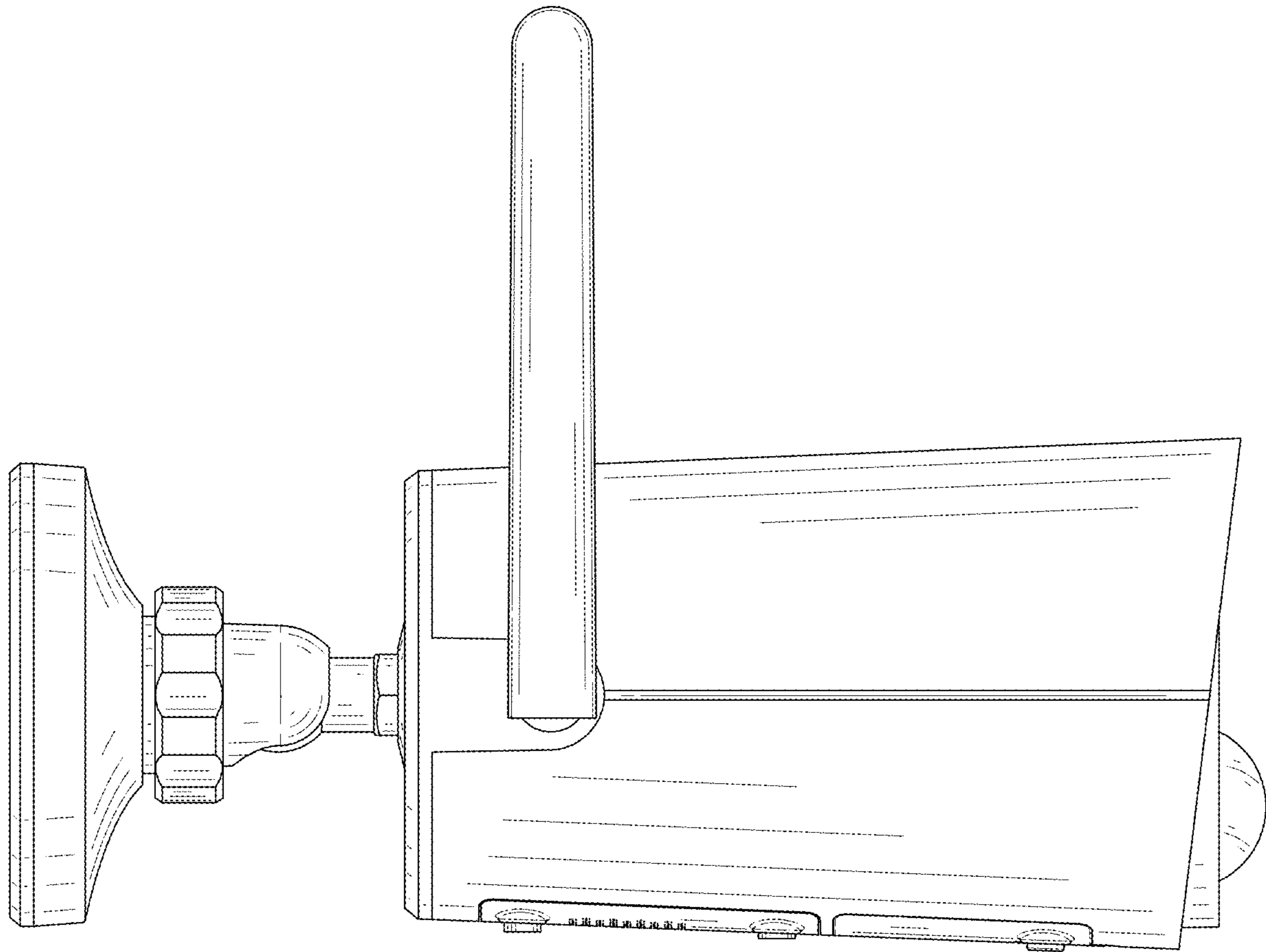


FIG. 5

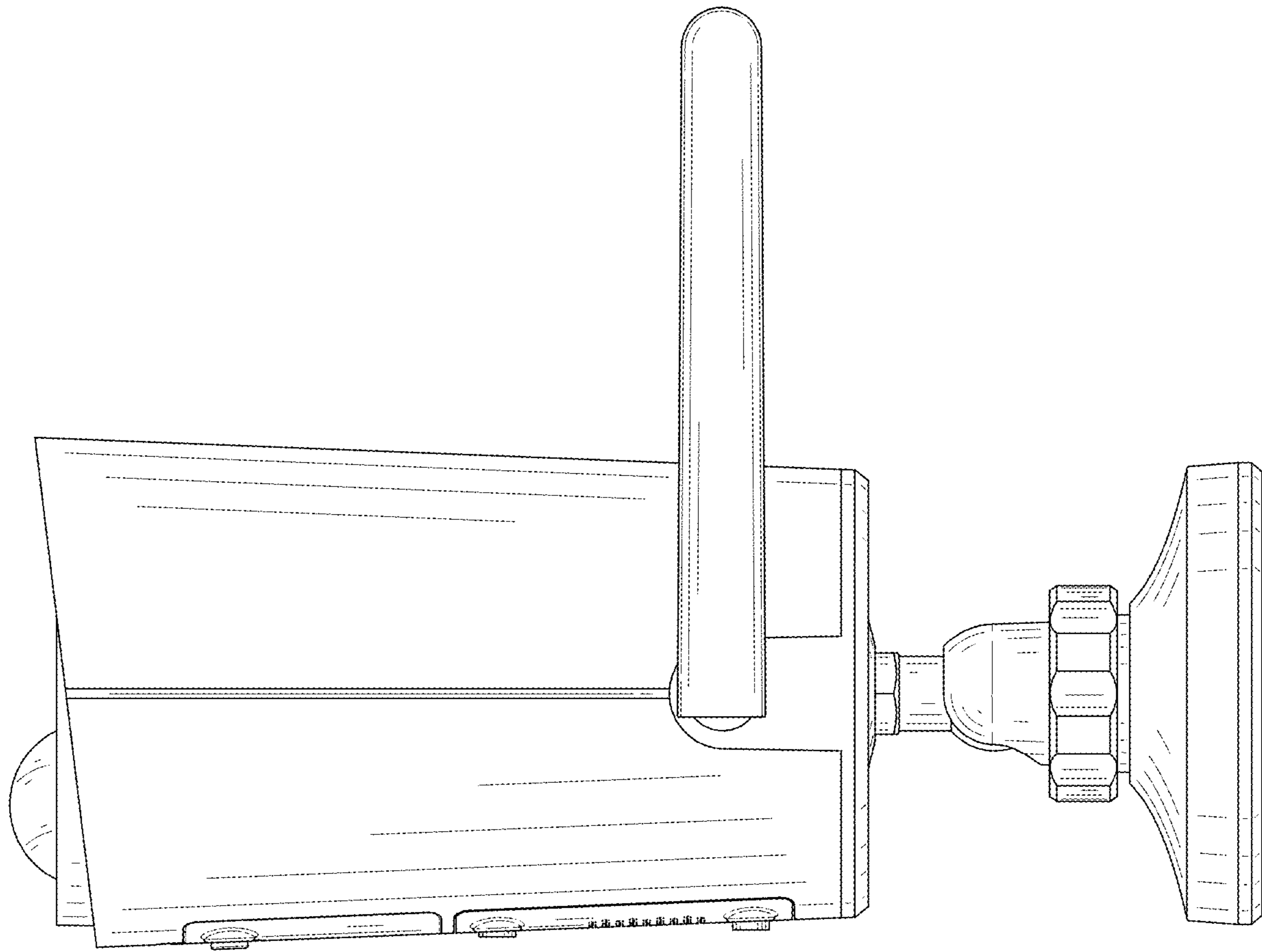


FIG. 6

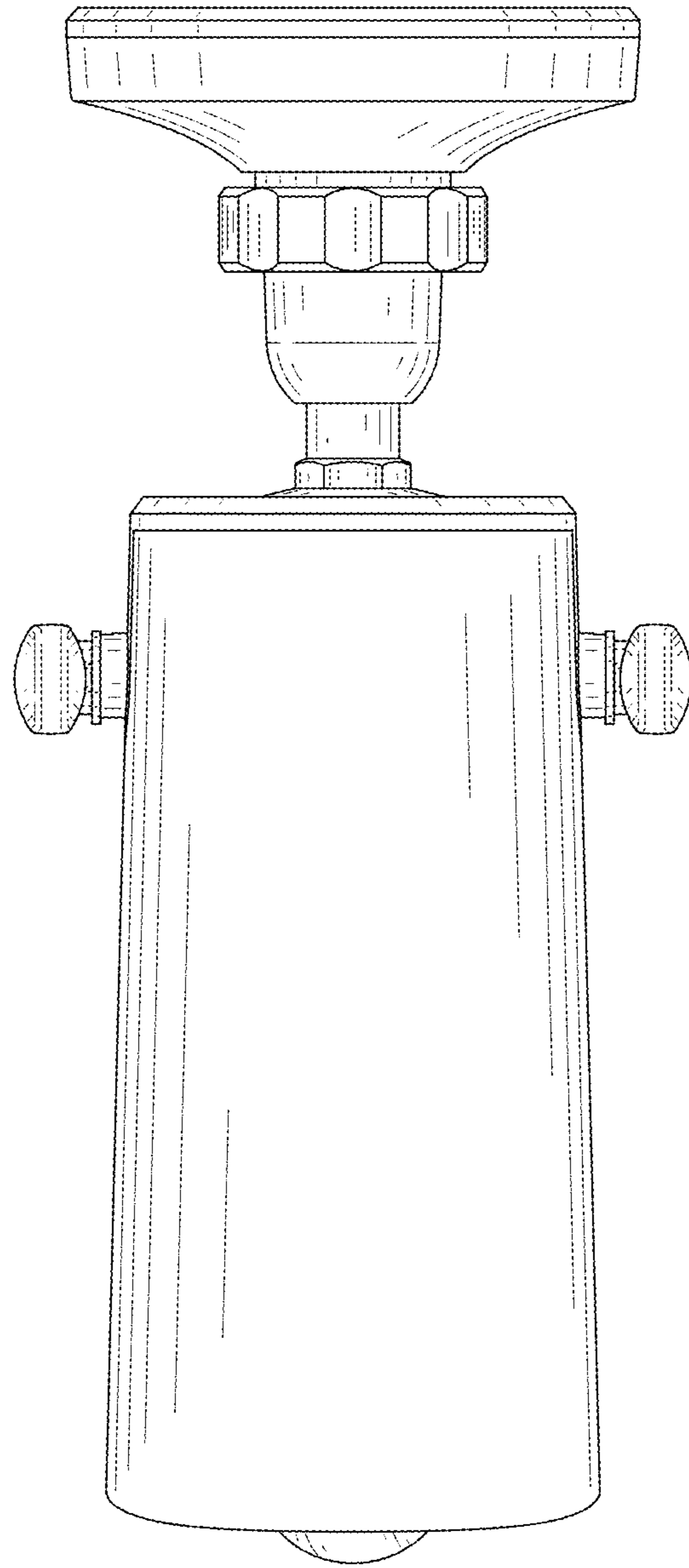


FIG. 7



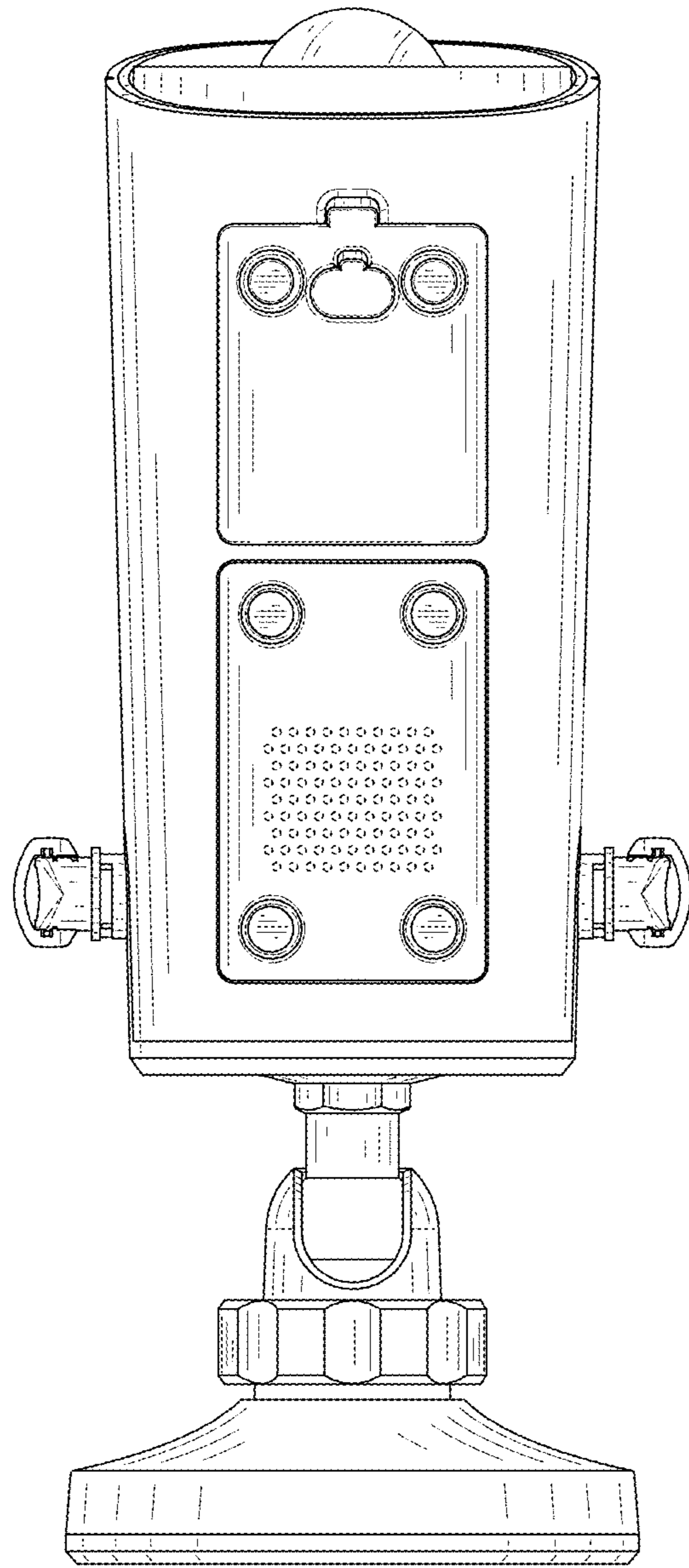


FIG. 8

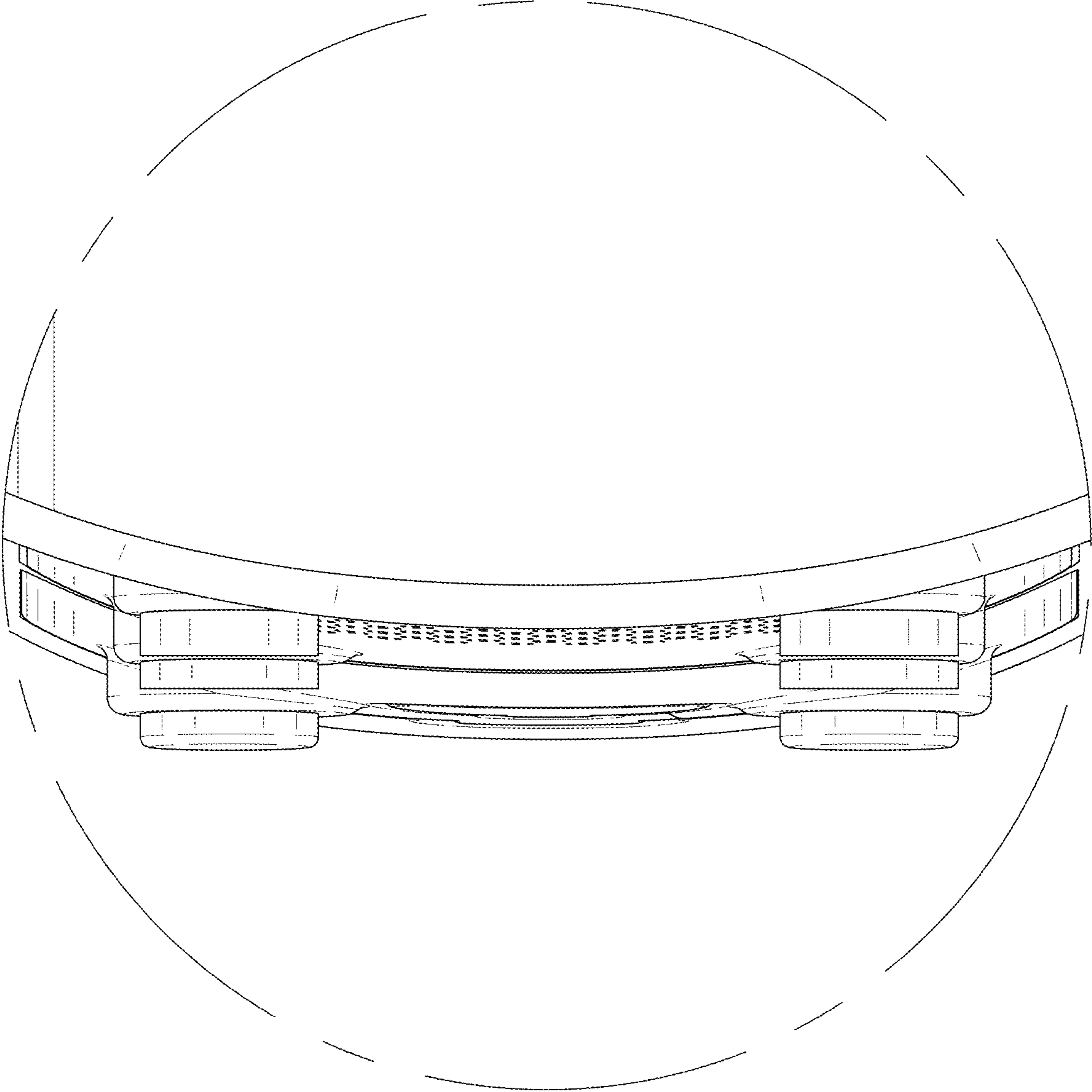


FIG. 9