

US00D940223S

(12) **United States Design Patent**
Uehara et al.

(10) **Patent No.:** **US D940,223 S**
(45) **Date of Patent:** **** Jan. 4, 2022**

(54) **SURVEILLANCE CAMERA**
(71) Applicant: **PANASONIC I-PRO SENSING SOLUTIONS CO., LTD.**, Fukuoka (JP)

(72) Inventors: **Natsuki Uehara**, Kanagawa (JP); **Takehito Katori**, Kanagawa (JP)

(73) Assignee: **PANASONIC I-PRO SENSING SOLUTIONS CO., LTD.**, Fukuoka (JP)

(**) Term: **15 Years**

(21) Appl. No.: **29/724,285**

(22) Filed: **Feb. 13, 2020**

(30) **Foreign Application Priority Data**

Feb. 10, 2020 (JP) 2020002512 D

(51) **LOC (13) Cl.** **16-01**

(52) **U.S. Cl.**
USPC **D16/203**

(58) **Field of Classification Search**

USPC D10/31, 104.1, 50, 65, 74, 70, 118.2, 66, D10/104.2, 106.1, 106.2, 106.6, 106.7; D26/2, 3, 51, 60, 66, 72, 63; D23/366; D16/200–220, 131, 132, 237, 242, 239, D16/250, 235, 130, 134, 136, 238, 230; D14/417, 138 C, 240, 248, 203.1, 203.3, D14/203.7, 218, 207, 440, 402, 454, 407, D14/408, 480.3, 480.1, 483, 341, 242, D14/159, 141.1

CPC . G02B 7/02; G02B 7/021; G02B 7/04; G02B 7/14; G02B 7/003; G02B 7/008; G02B 13/06; G03B 17/00; G03B 17/02;

(Continued)

(56) **References Cited**

U.S. PATENT DOCUMENTS

D581,961 S 12/2008 Shioya
D584,756 S 1/2009 Yamakawa

(Continued)

FOREIGN PATENT DOCUMENTS

CN 302895798 * 7/2014
CN 303127581 * 5/2015

(Continued)

OTHER PUBLICATIONS

Panasonic i-Pro Extreme WV-S2231L, no date available [online], [retrieved Sep. 13, 2021], Available from Internet, URL: <https://www.cdw.com/product/panasonic-i-pro-extreme-wv-s2231l-network-surveillance-camera/4493971>.*

(Continued)

Primary Examiner — Dana K Weiland

Assistant Examiner — Mary Claire Ramirez

(74) *Attorney, Agent, or Firm* — Greenblum & Bernstein, P.L.C.

(57) **CLAIM**

The ornamental design for a surveillance camera, as shown and described.

DESCRIPTION

FIG. 1 is a perspective view of the front, right, and top sides of a surveillance camera showing our new design; FIG. 2 is a perspective view of the rear, left, and bottom sides thereof;

FIG. 3 is a front view thereof;

FIG. 4 is a rear view thereof;

FIG. 5 is a left side view thereof;

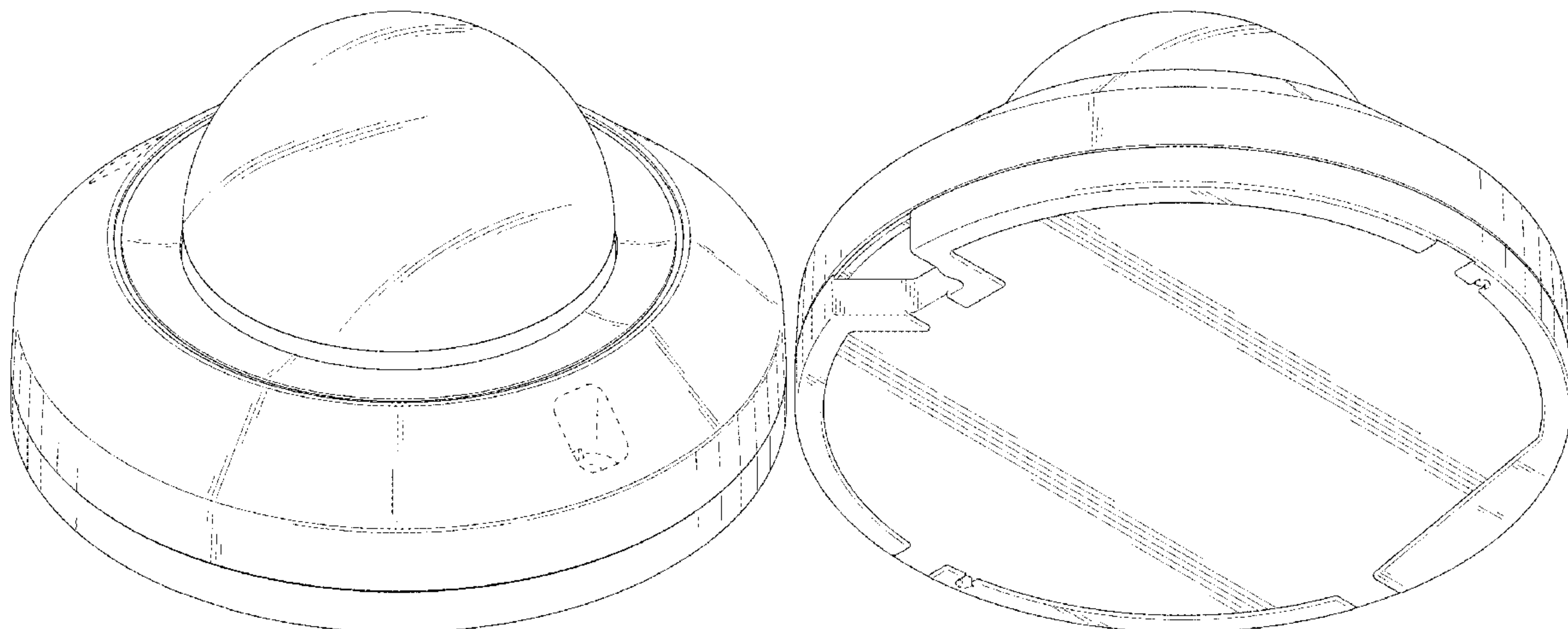
FIG. 6 is a right side view thereof;

FIG. 7 is a top plan view thereof; and,

FIG. 8 is a bottom plan view thereof.

The broken lines shown in the drawings illustrate portions of the surveillance camera that form no part of the claimed design.

1 Claim, 8 Drawing Sheets



(58) **Field of Classification Search**

CPC G03B 17/56; G03B 17/04; G03B 17/14;
 G03B 17/08; G03B 15/03; G03B 15/06;
 H04N 1/00981; H04N 5/2251; H04N
 5/2252; H04N 5/2253; H04N 5/2254;
 H04N 5/23238; H04N 7/00; H04N
 13/239; H04N 2101/00; F16M 13/00
 See application file for complete search history.

D849,120	S	*	5/2019	Ahman	D16/219
D860,288	S	*	9/2019	Ohashi	D16/203
D874,533	S	*	2/2020	Park	D16/203
D874,535	S	*	2/2020	Park	D16/203
2007/0274706	A1	*	11/2007	Cheng	G03B 17/00 396/427
2012/0106943	A1	*	5/2012	Mukai	H04N 7/183 396/427
2013/0094848	A1	*	4/2013	Wada	H04N 5/23238 396/448
2015/0326759	A1	*	11/2015	Mukai	H04N 5/2254 348/374
2016/0088199	A1	*	3/2016	Okamura	H04N 5/2254 348/374

(56) **References Cited**

U.S. PATENT DOCUMENTS

D592,159	S	*	5/2009	Ono	D13/180
D610,183	S		2/2010	Nohavec et al.		
D628,225	S		11/2010	Deurwaarder		
D633,120	S		2/2011	Ham		
D647,553	S		10/2011	Park et al.		
D676,478	S		2/2013	Uehara		
D690,345	S		9/2013	Seo et al.		
D692,938	S		11/2013	Seo et al.		
D694,305	S	*	11/2013	Katori	D16/203
D694,306	S	*	11/2013	Katori	D16/203
D721,755	S		1/2015	Hman et al.		
D740,874	S		10/2015	Ahman et al.		
D751,621	S	*	3/2016	Katori	D16/203
D752,674	S	*	3/2016	Katori	D16/203
9,305,446	B1	*	4/2016	Clinton	G08B 13/19619
D803,926	S	*	11/2017	Katori	D16/219
D816,755	S	*	5/2018	Barnekow	D16/203
D848,514	S	*	5/2019	Ahman	D16/219

FOREIGN PATENT DOCUMENTS

CN	303532613	*	12/2015
CN	304400830	*	12/2017
CN	305321854	*	8/2019
CN	305337589	*	9/2019

OTHER PUBLICATIONS

Panasonic WV-U2130L i-PRO Extreme, no date available [online],
 [retrieved Sep. 13, 2021], Available from Internet, URL: https://www.bhphotovideo.com/c/product/1578683-REG/panasonic_wv_u2130l_i_pro_extreme_1080p.html.*

* cited by examiner

Fig.1

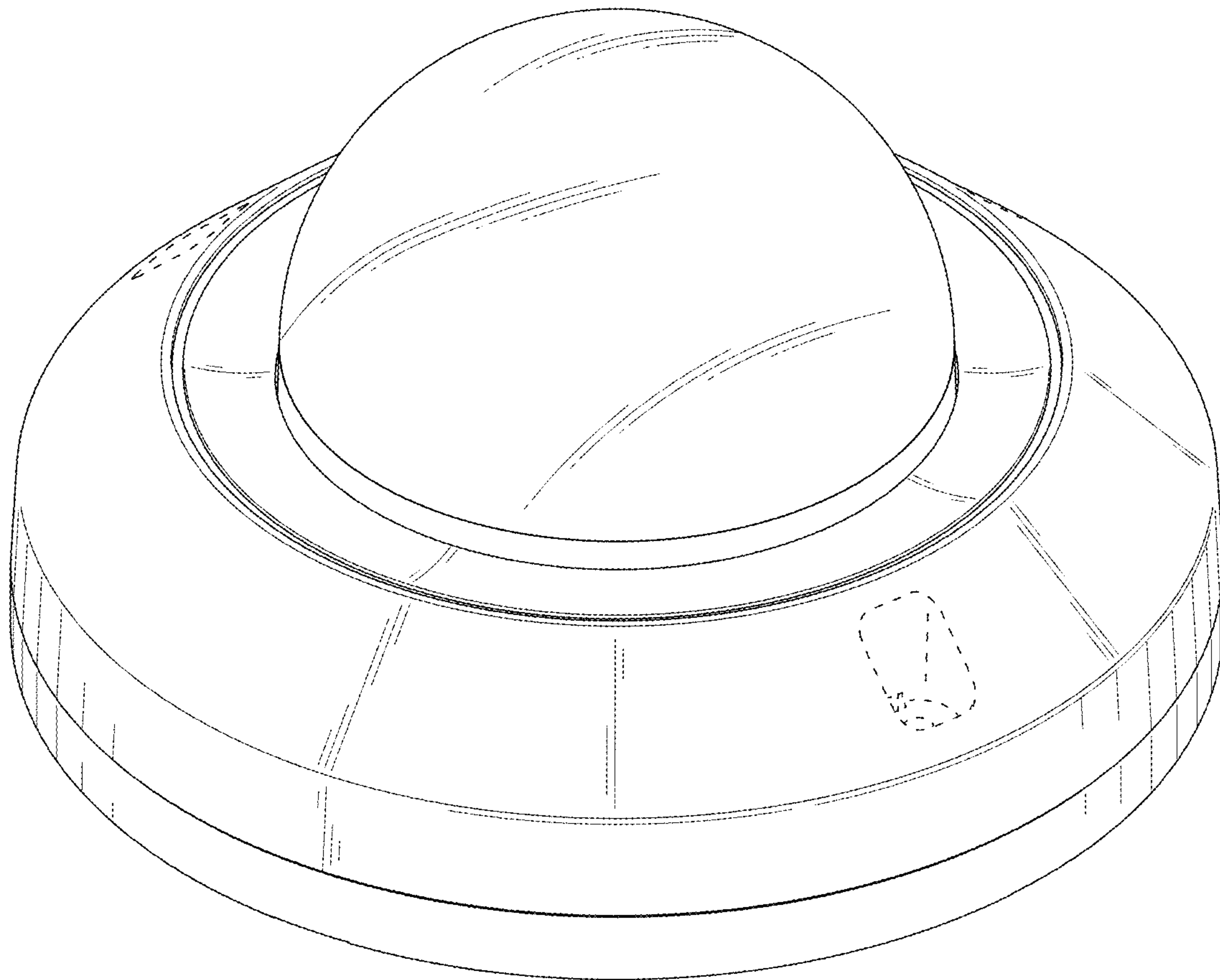


Fig.2

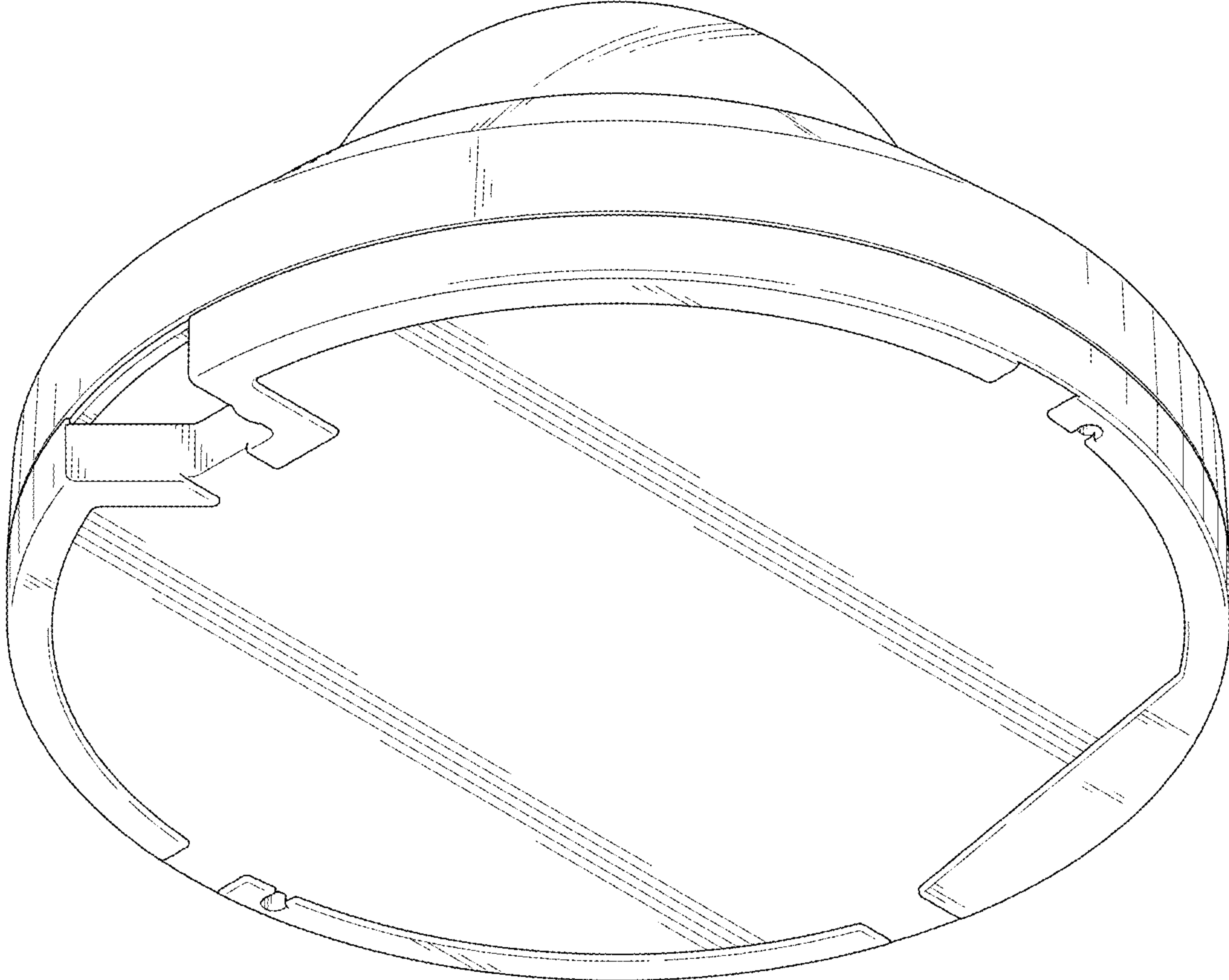


Fig.3

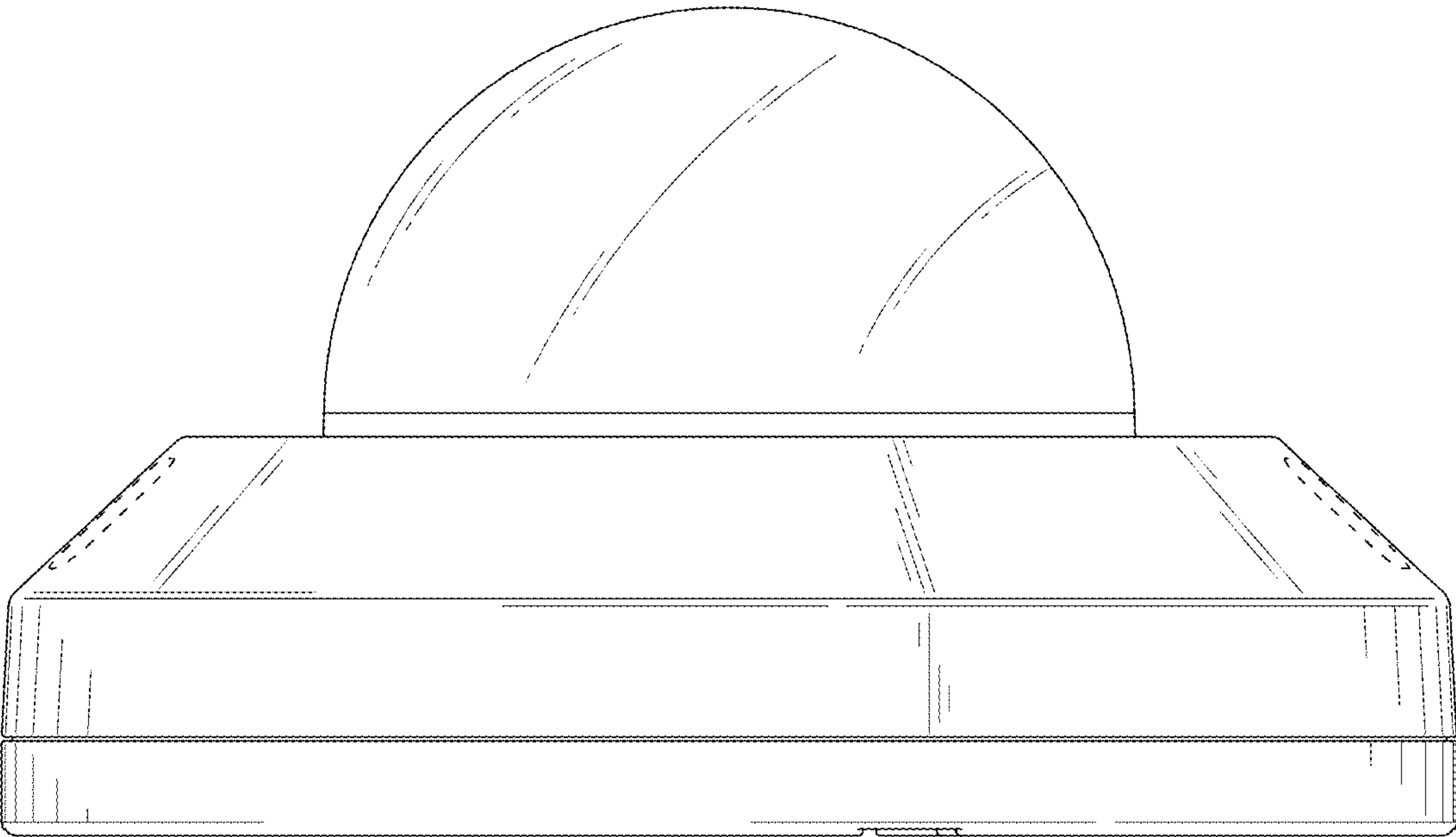


Fig.4

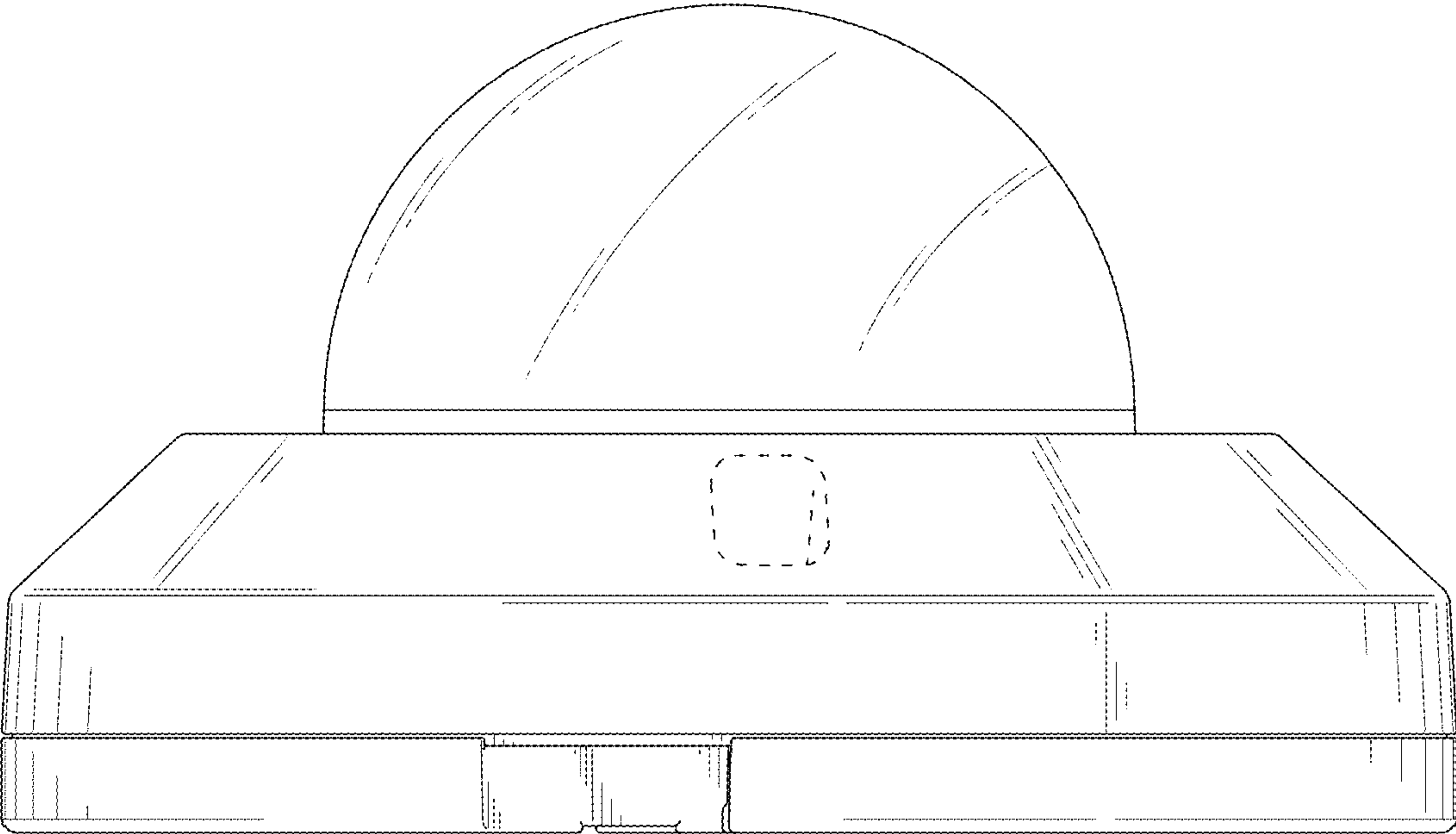


Fig.5

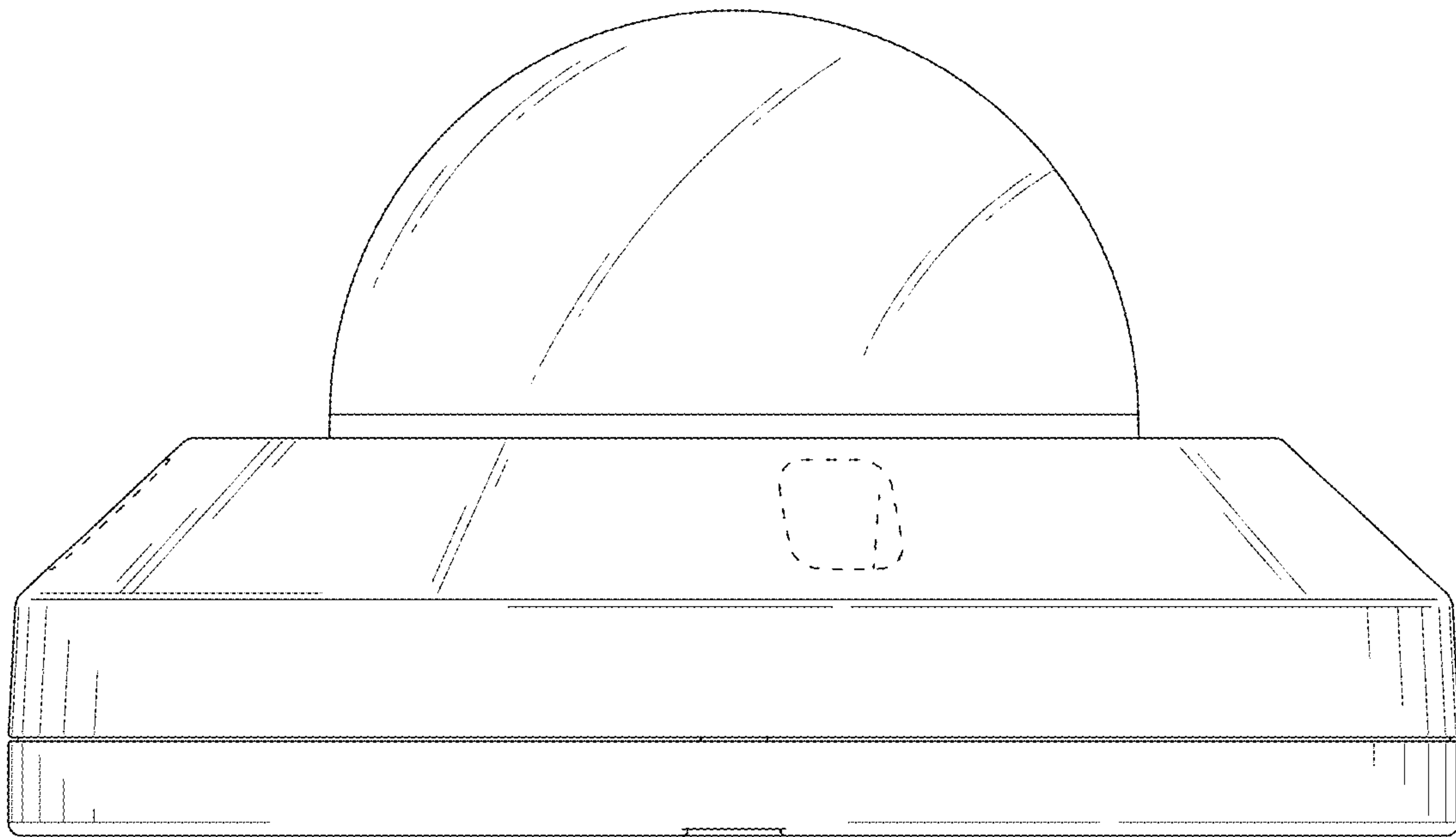


Fig.6

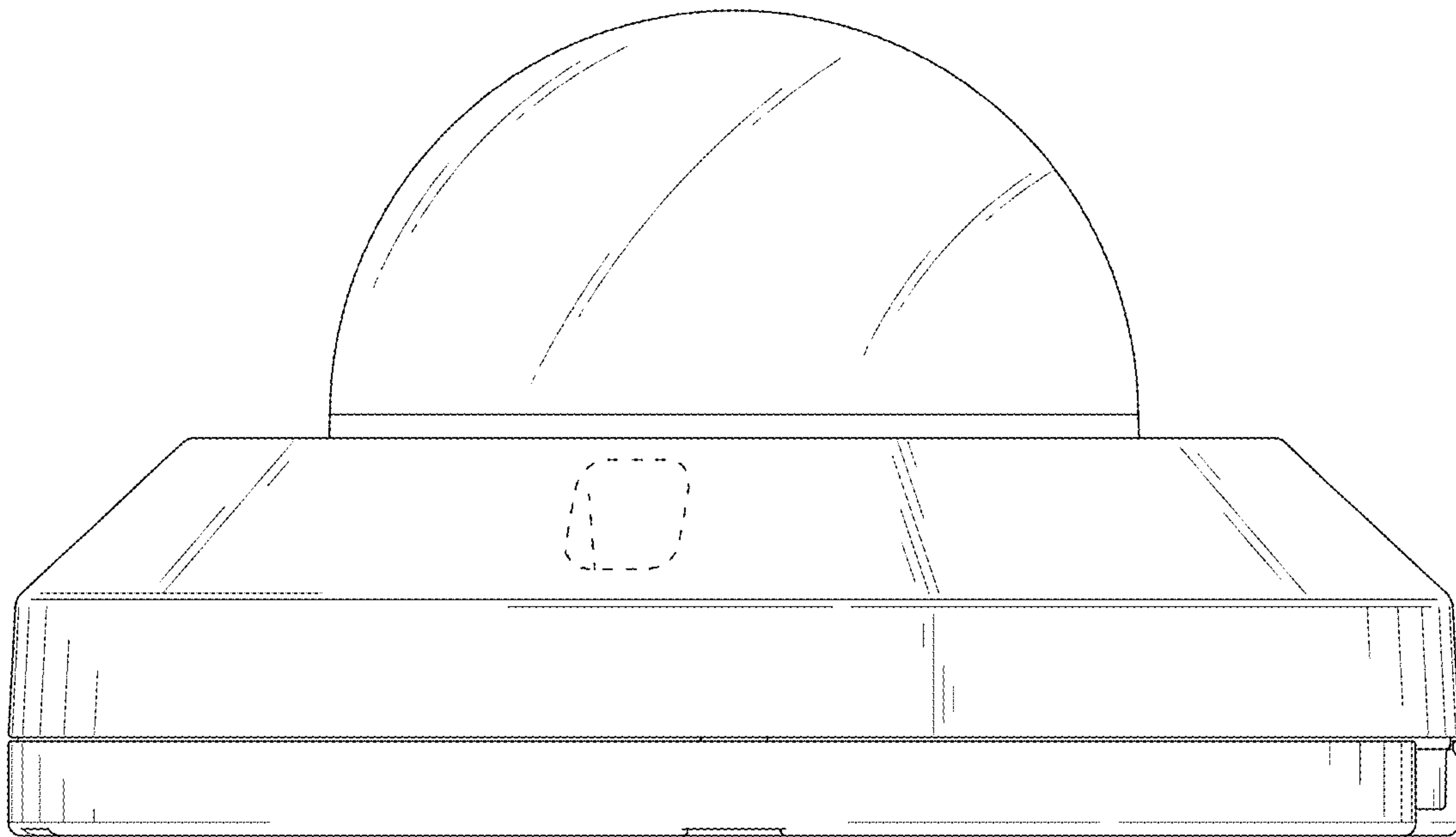


Fig.7

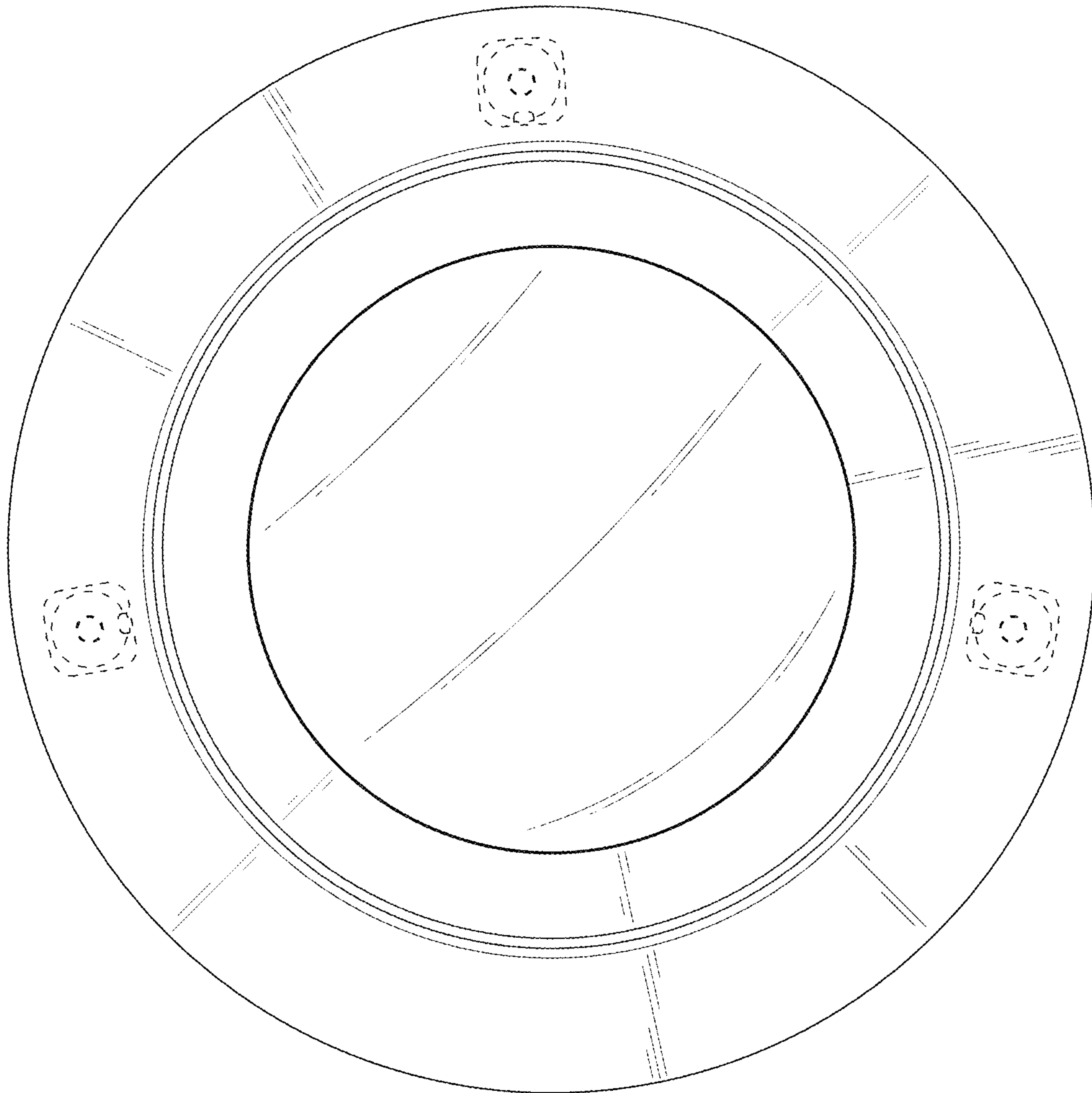


Fig.8

