



US00D940222S

(12) **United States Design Patent**  
**Wu**

(10) **Patent No.:** **US D940,222 S**

(45) **Date of Patent:** **\*\* Jan. 4, 2022**

(54) **KID'S CAMERA**

(71) Applicant: **Zhiming Wu**, Shenzhen (CN)

(72) Inventor: **Zhiming Wu**, Shenzhen (CN)

(\*\*) Term: **15 Years**

(21) Appl. No.: **29/761,223**

(22) Filed: **Dec. 8, 2020**

(51) **LOC (13) Cl.** ..... **16-01**

(52) **U.S. Cl.**  
USPC ..... **D16/202; D21/514**

(58) **Field of Classification Search**  
USPC ..... D16/200, 202-208, 210, 218, 219;  
D21/514; 348/143, 148, 151, 373-376;  
396/419, 427, 535-541  
CPC ..... G03B 15/03; G03B 17/02; G03B 17/04;  
G03B 17/56; G03B 19/04; H04N 5/2251;  
H04N 5/2252; H04N 5/2253; H04N  
5/2254; H04N 2101/00  
See application file for complete search history.

(56) **References Cited**

**U.S. PATENT DOCUMENTS**

6,637,952	B2 *	10/2003	Arbuckle	.....	G03B 17/02 348/143
7,371,021	B2 *	5/2008	Ross, Jr.	.....	F41G 1/467 348/E5.026
D614,221	S *	4/2010	Park	.....	D16/202
D633,543	S *	3/2011	Park	.....	D16/203
D652,440	S *	1/2012	Davidson	.....	D16/203
D687,875	S *	8/2013	Sasaki	.....	D16/202
D694,797	S *	12/2013	Parker	.....	D16/203

D727,390	S *	4/2015	Schmidt	.....	D16/218
D739,888	S *	9/2015	Liang	.....	D16/203
D741,388	S *	10/2015	Register	.....	D16/202
D748,712	S	2/2016	Tompkin		
D815,170	S *	4/2018	McKenna	.....	D16/200
D815,676	S *	4/2018	Perry	.....	D16/132
D874,534	S *	2/2020	Matsuo	.....	D16/203
D884,047	S	5/2020	Ji		
D892,191	S	8/2020	Ji		

\* cited by examiner

*Primary Examiner* — Ramzi Almatrahi

(57) **CLAIM**

The ornamental design for a kid's camera, as shown and described.

**DESCRIPTION**

FIG. 1 is a top, front and right side perspective view of a kid's camera showing my new design;  
FIG. 2 is a top, back and left side perspective view thereof;  
FIG. 3 is a front view thereof;  
FIG. 4 is a back view thereof;  
FIG. 5 is a left side view thereof;  
FIG. 6 is a right side view thereof;  
FIG. 7 is a top view thereof;  
FIG. 8 is a bottom view thereof;  
FIG. 9 is a top, front and right side perspective view thereof, shown with the display in an opened configuration; and,  
FIG. 10 is an enlarged view of portion 10 shown in FIG. 2. The broken lines depict portions of the kid's camera in which the design is embodied that form no part of the claimed design. The dot-dash broken lines encircling an enlargement portion of the design forms no part of the claimed design.

**1 Claim, 10 Drawing Sheets**

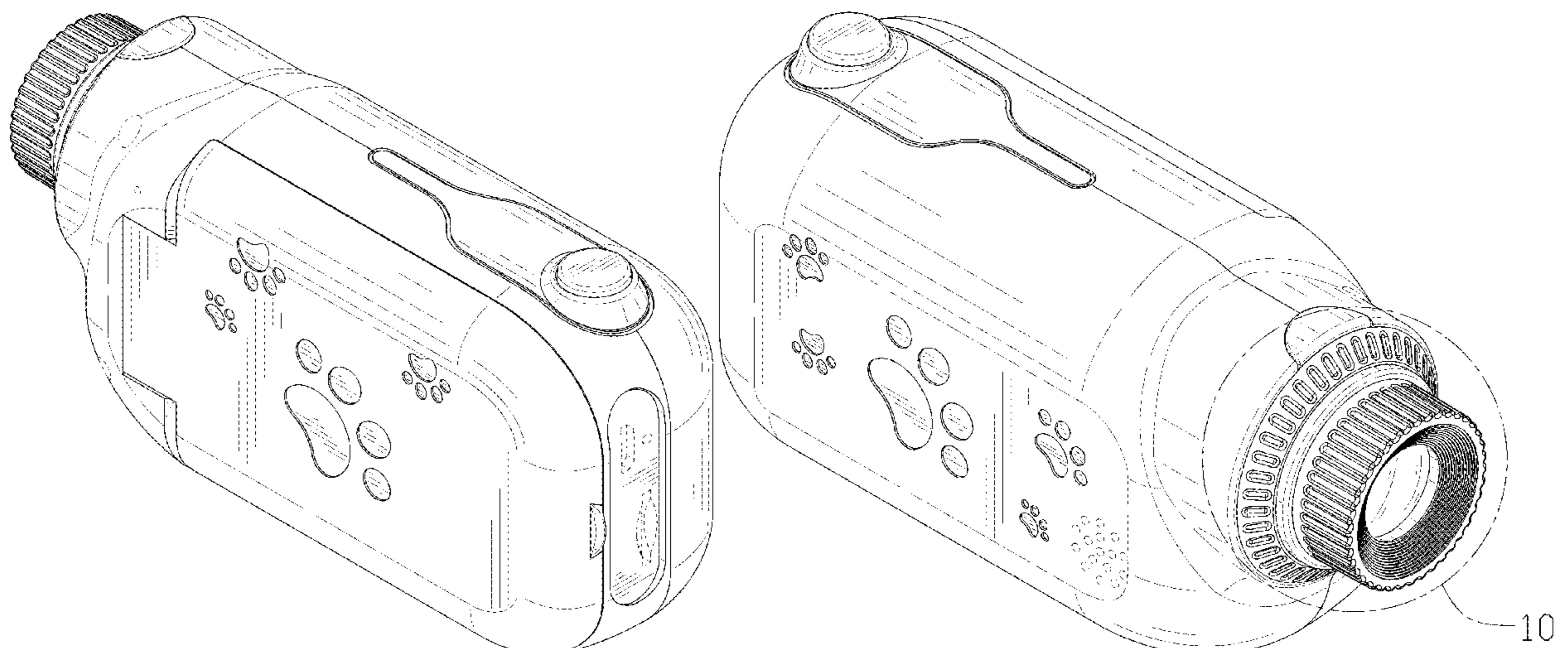




FIG. 1

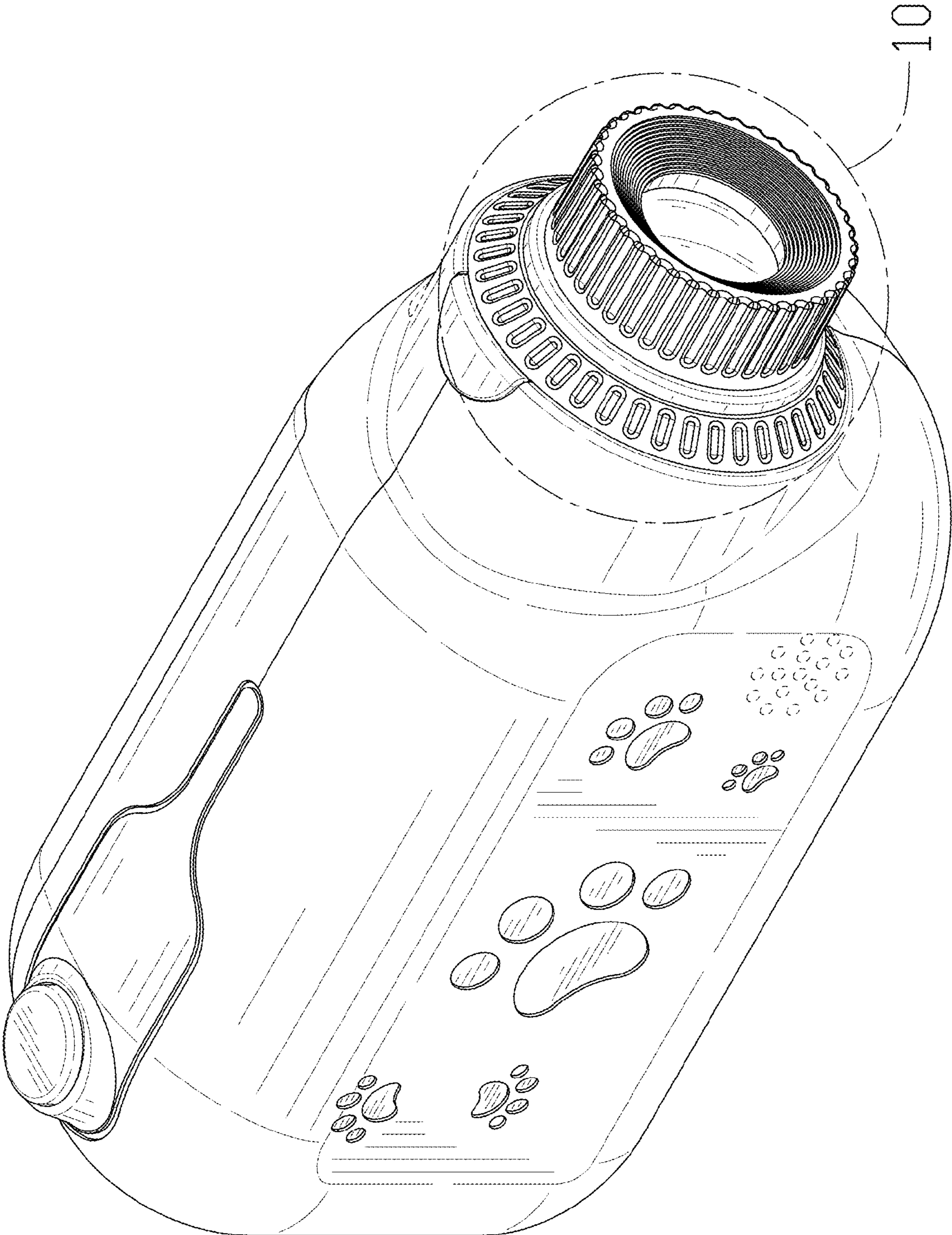


FIG. 2

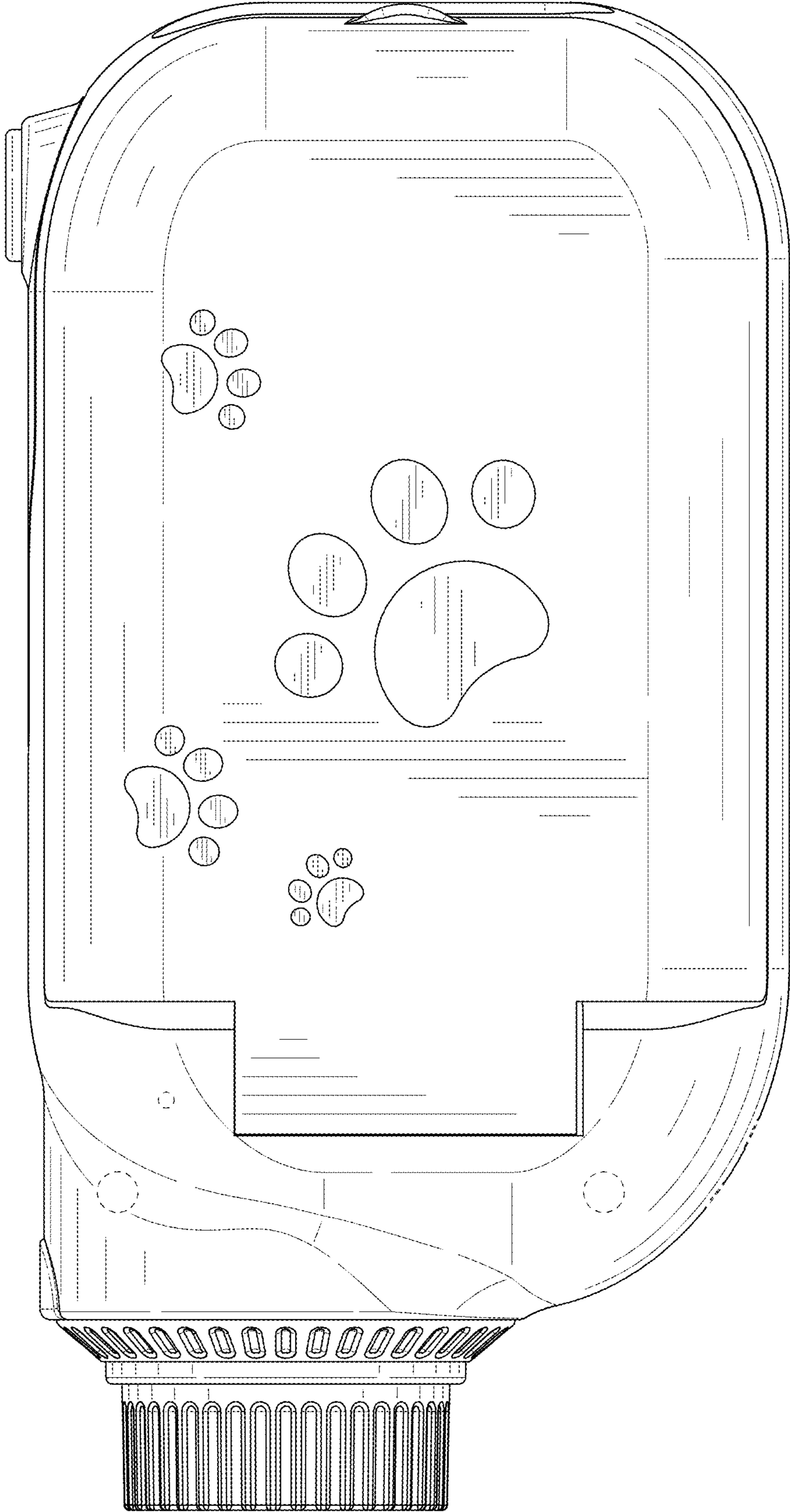


FIG. 3

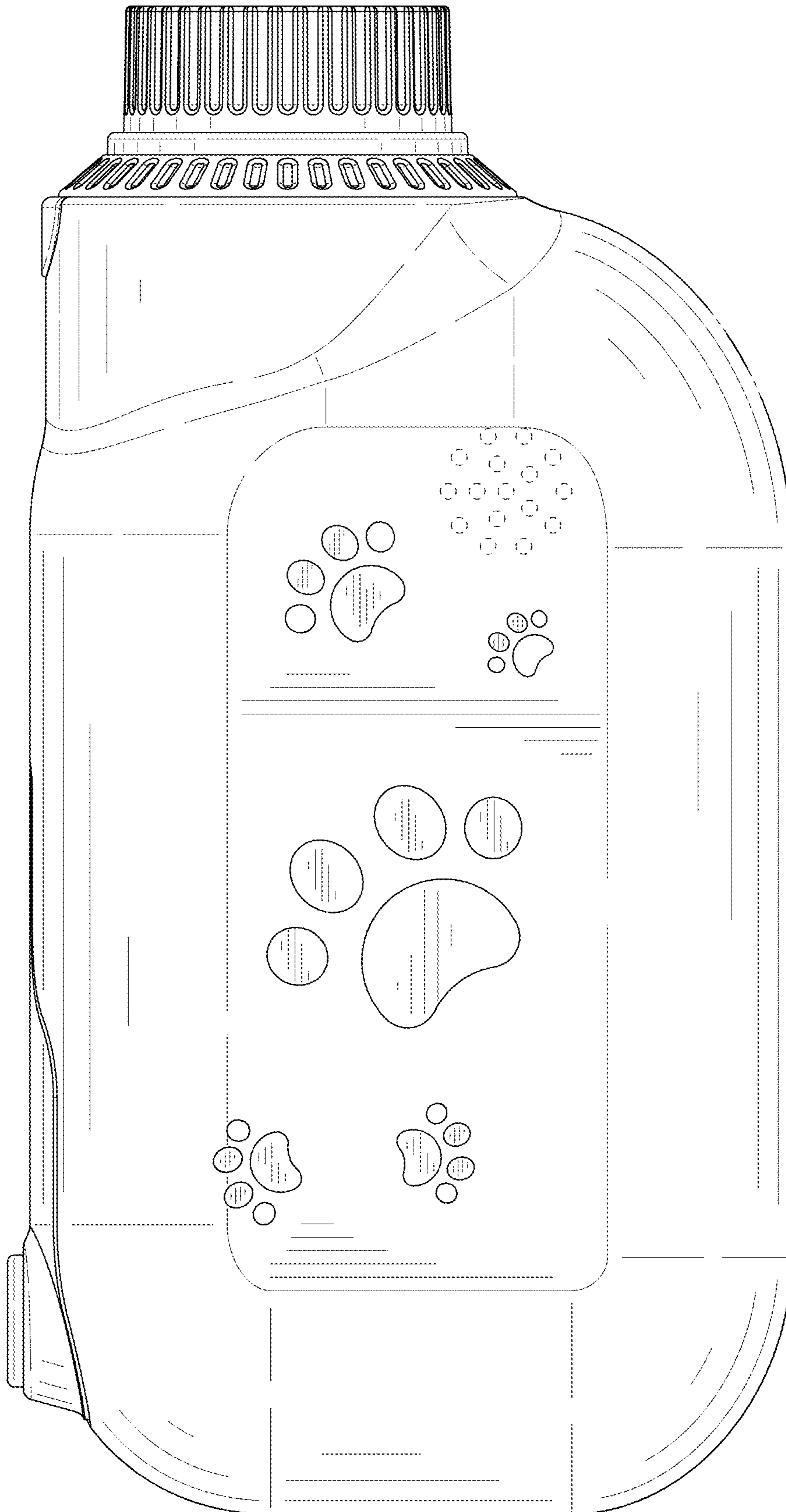


FIG. 4

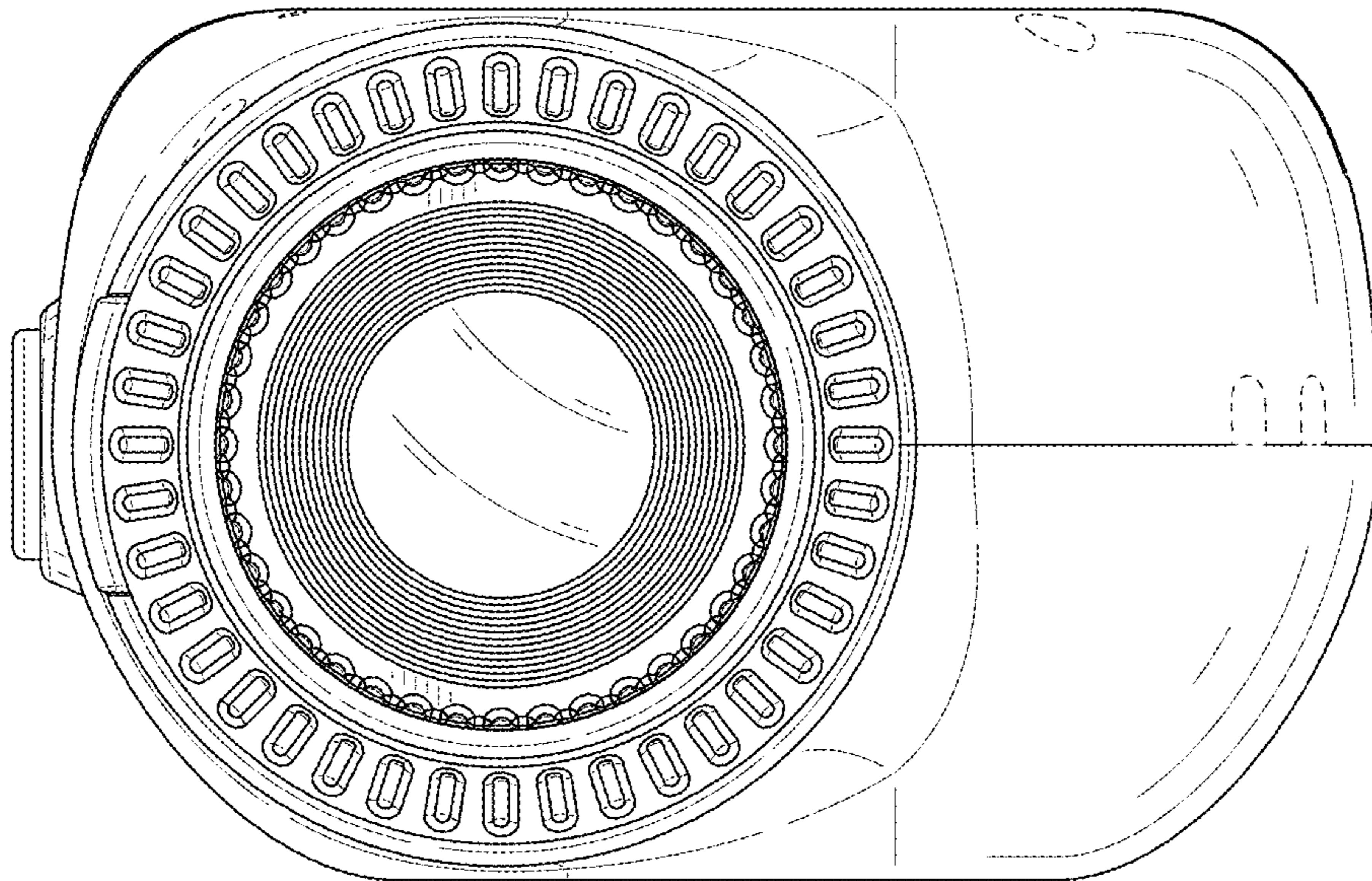


FIG. 5

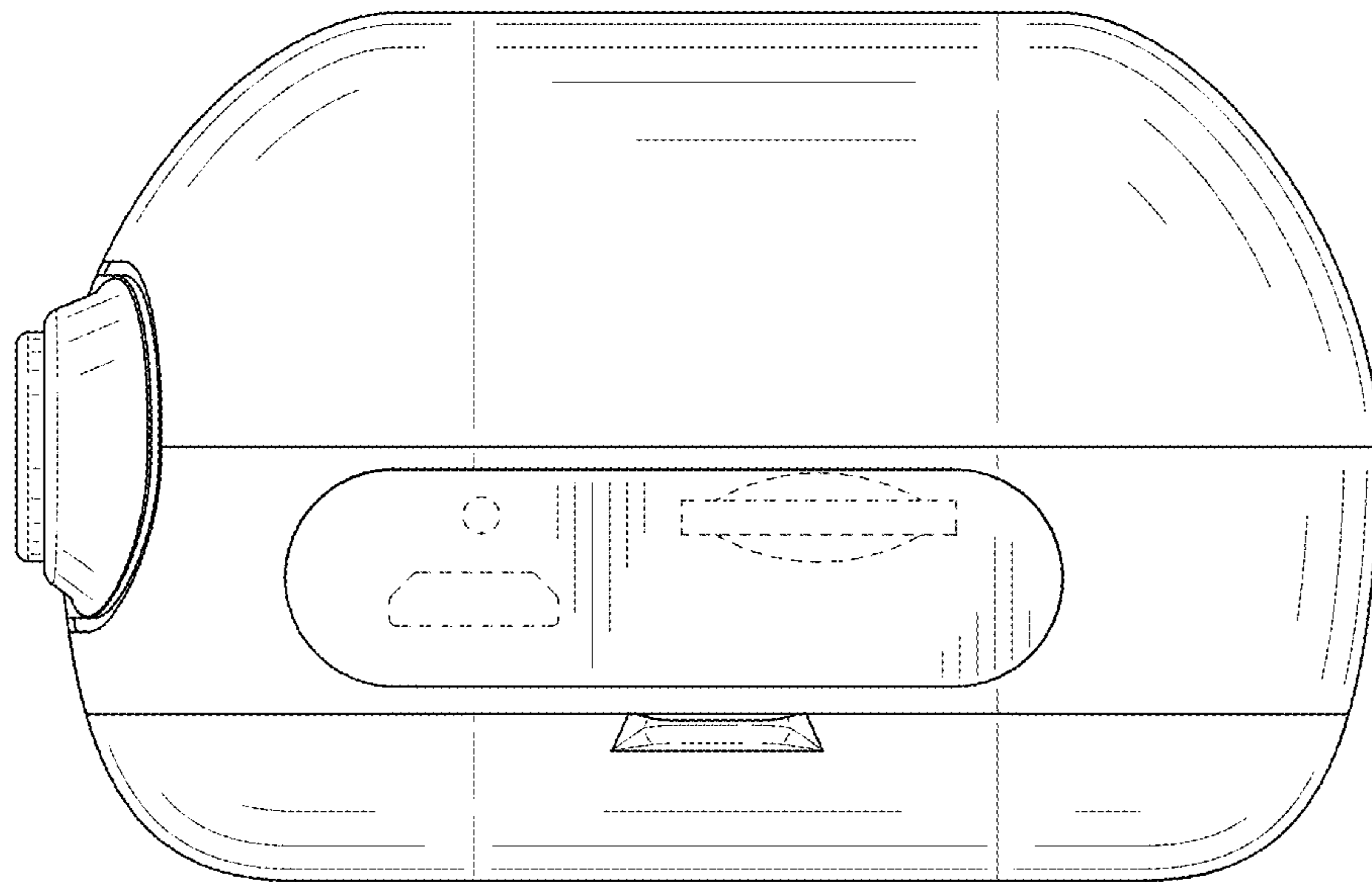


FIG. 6

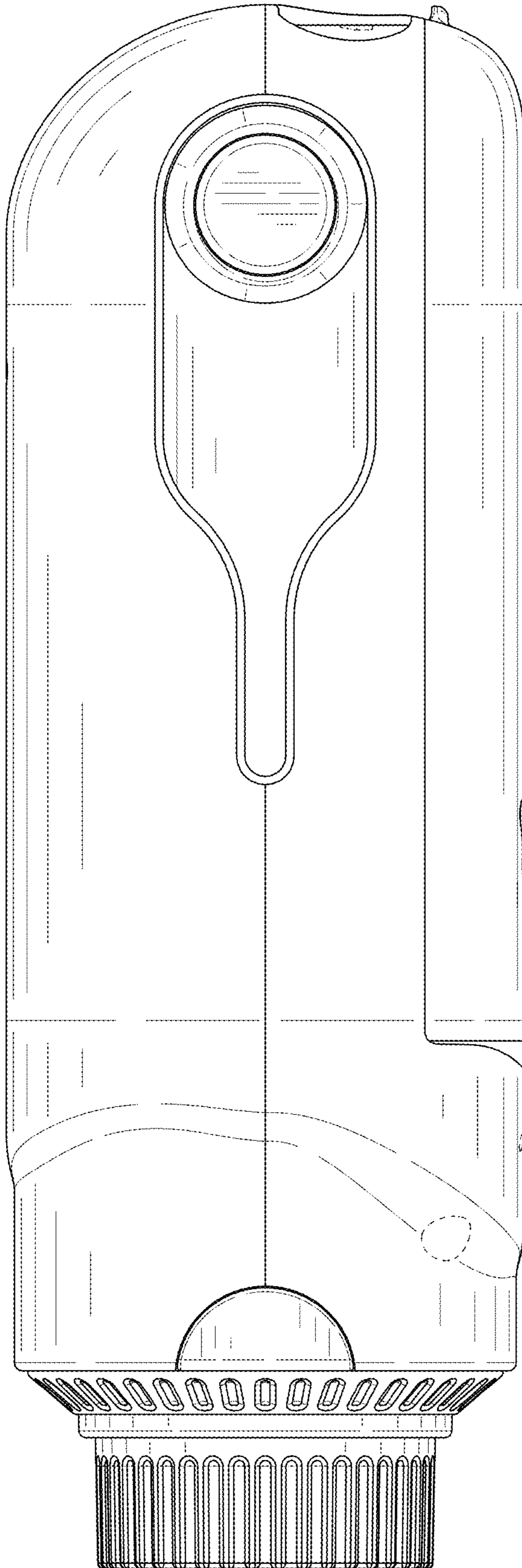


FIG. 7



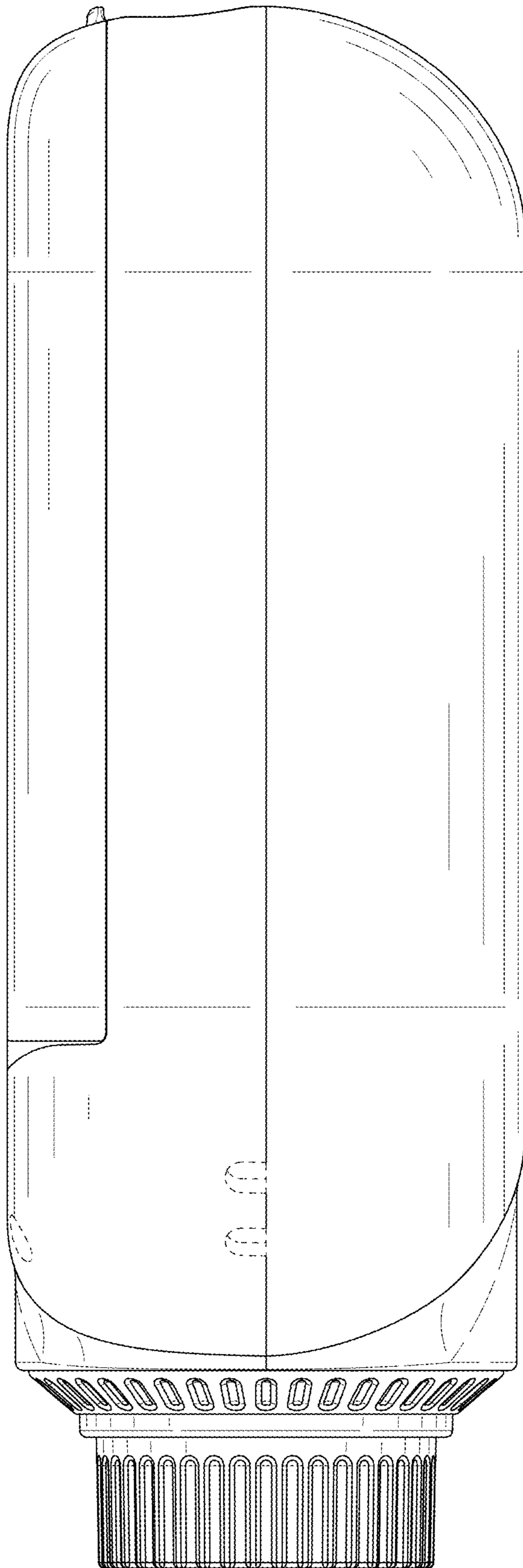


FIG. 8

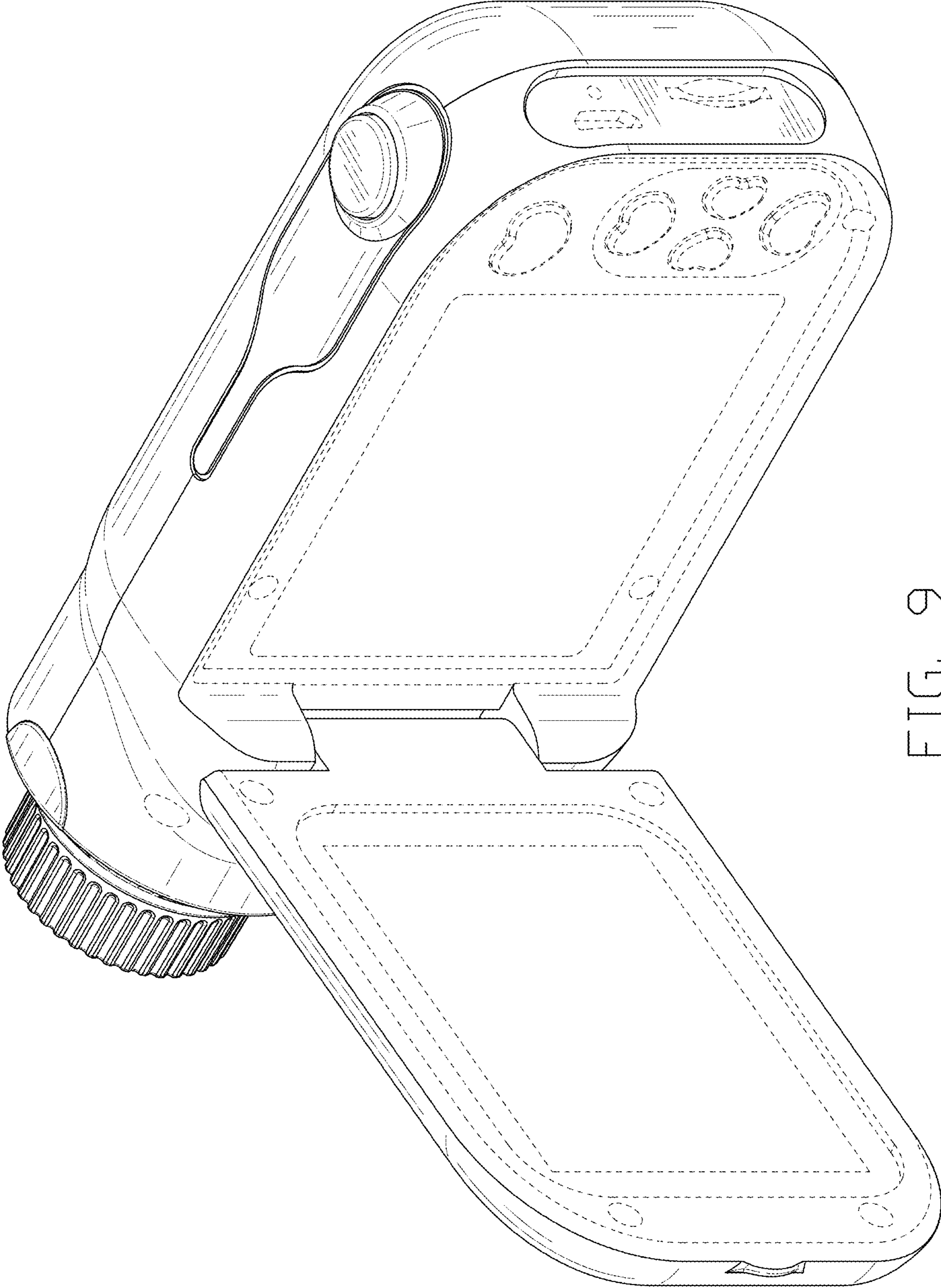


FIG. 9

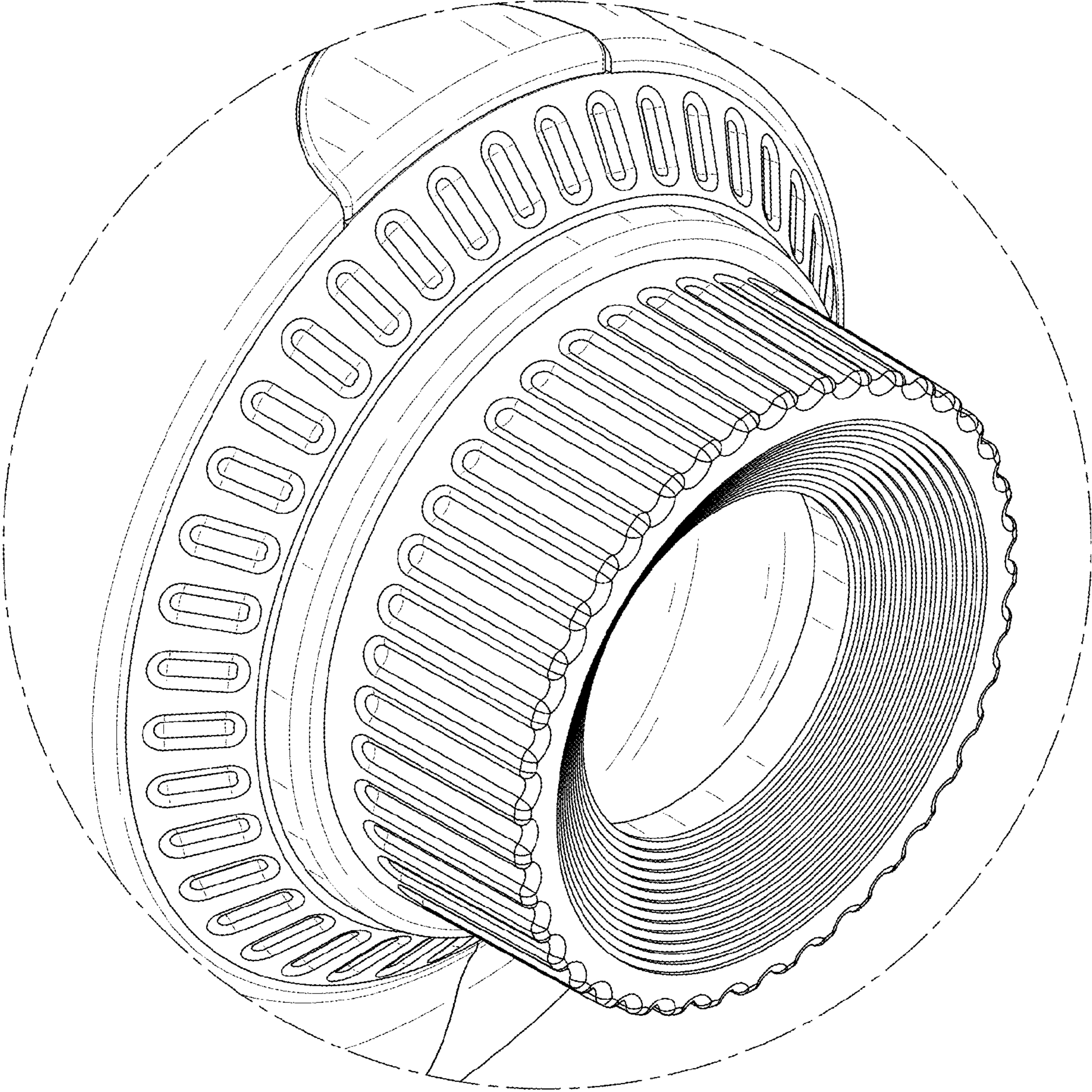


FIG. 10