



US00D940221S

(12) **United States Design Patent**  
**Sabourin et al.**

(10) **Patent No.:** **US D940,221 S**  
(45) **Date of Patent:** **\*\* Jan. 4, 2022**

(54) **ASTROGRAPH**

(71) Applicant: **VAONIS**, Clapiers (FR)

(72) Inventors: **Benjamin Sabourin**, Ivry-sur-Seine (FR); **Nicolas Marquis**, Ivry-sur-Seine (FR); **Cyril Dupuy**, Castelnau-le-Lez (FR)

(\*\*) Term: **15 Years**

(21) Appl. No.: **35/510,249**

(22) Filed: **Jul. 28, 2020**

(80) **Hague Agreement Data**

Int. Filing Date: **Jul. 28, 2020**

Int. Reg. No.: **DM/209983**

Int. Reg. Date: **Jul. 28, 2020**

Int. Reg. Pub. Date: **Sep. 4, 2020**

(51) **LOC (13) Cl.** ..... **16-01**

(52) **U.S. Cl.**  
USPC ..... **D16/133**

(58) **Field of Classification Search**  
USPC ..... D16/200, 202–205, 208, 218, 219, 242  
CPC ..... G03B 17/02; G03B 17/04; G03B 17/56;  
G03B 19/04; G03B 15/03  
See application file for complete search history.

(56) **References Cited**

**U.S. PATENT DOCUMENTS**

D409,583 S \* 5/1999 Nishida ..... D14/317  
D620,491 S \* 7/2010 Wu ..... D14/411

D808,454 S \* 1/2018 Seflic ..... D16/200  
D836,147 S \* 12/2018 Rao ..... D16/203  
D853,462 S \* 7/2019 Sabourin ..... D16/133  
D883,985 S \* 5/2020 Zhang ..... D14/433  
D894,156 S \* 8/2020 Pai ..... D14/216  
D896,863 S \* 9/2020 Tu ..... D16/203

\* cited by examiner

*Primary Examiner* — Holly E Thurman

(57) **CLAIM**

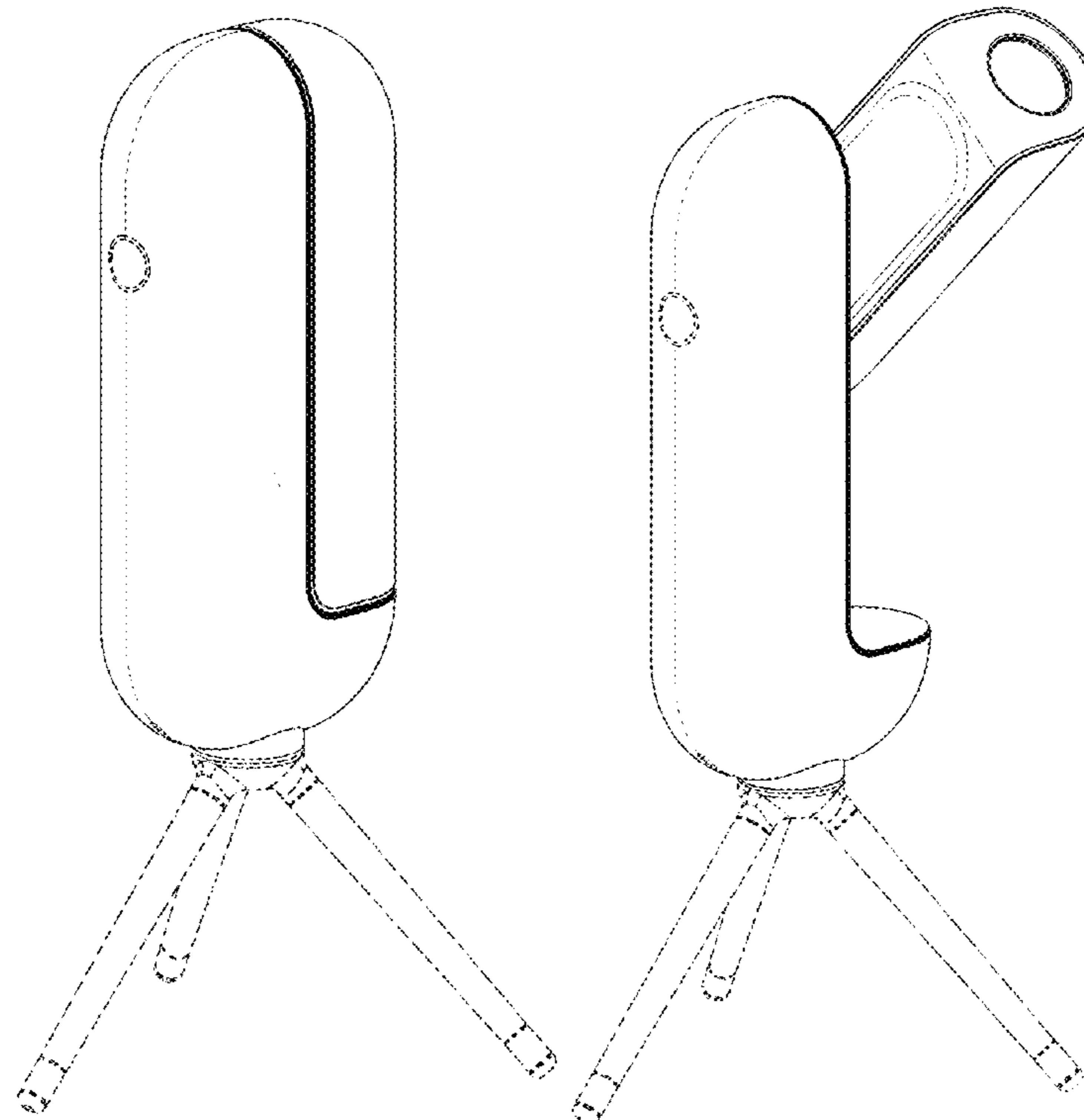
The ornamental design for an astrograph, as shown and described.

**DESCRIPTION**

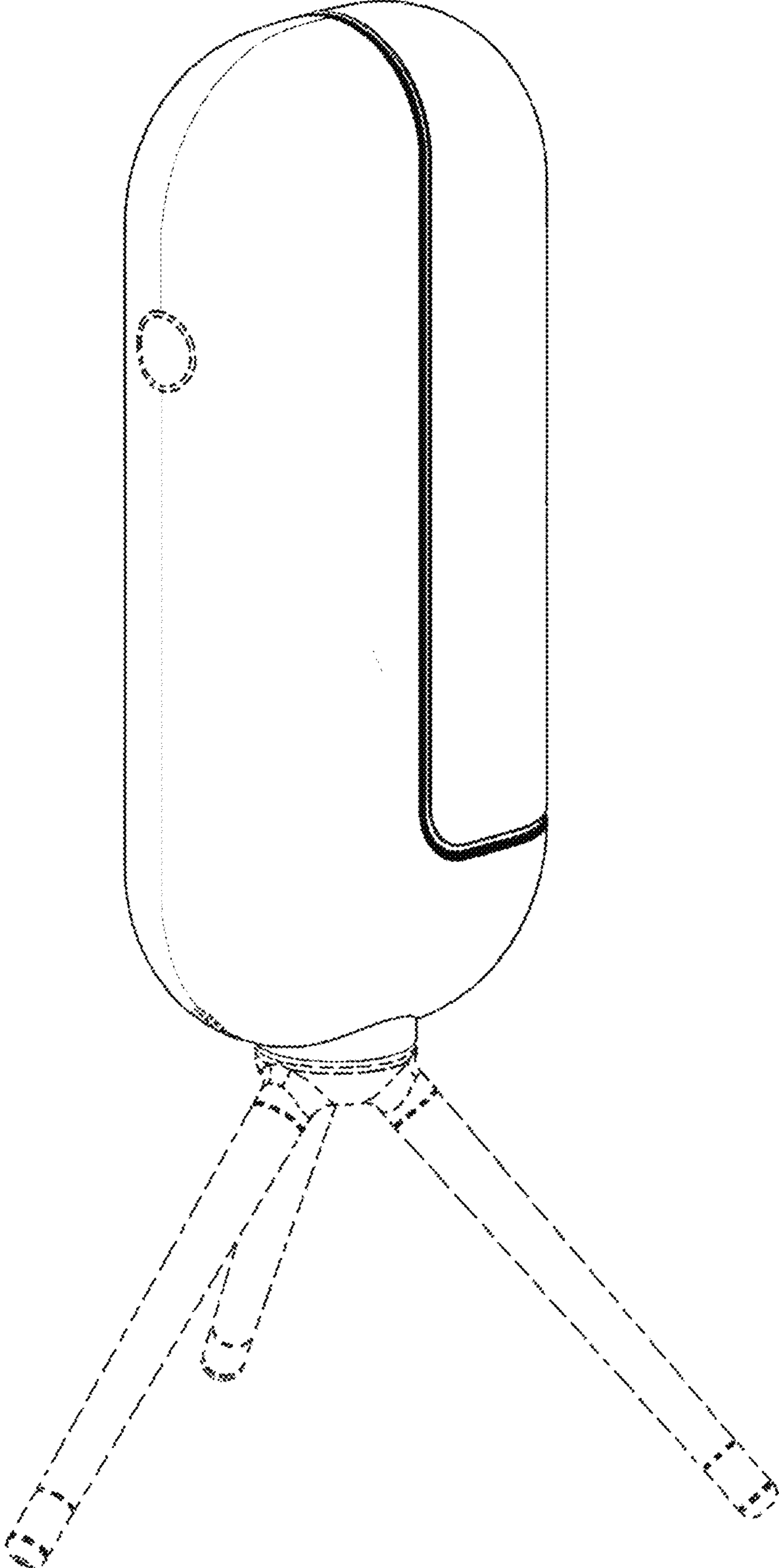
- 1. Astrograph
- 1.1 : Perspective
- 1.2 : Perspective, in an open configuration, rotated 135 degrees;
- 1.3 : Perspective, in an open configuration, rotated 180 degrees;
- 1.4 : Right
- 1.5 : Left
- 1.6 : Front
- 1.7 : Back
- 1.8 : Top
- 1.9 : Bottom

The broken lines in the Figures depict portions of the astrograph that form NO part of the claimed design.

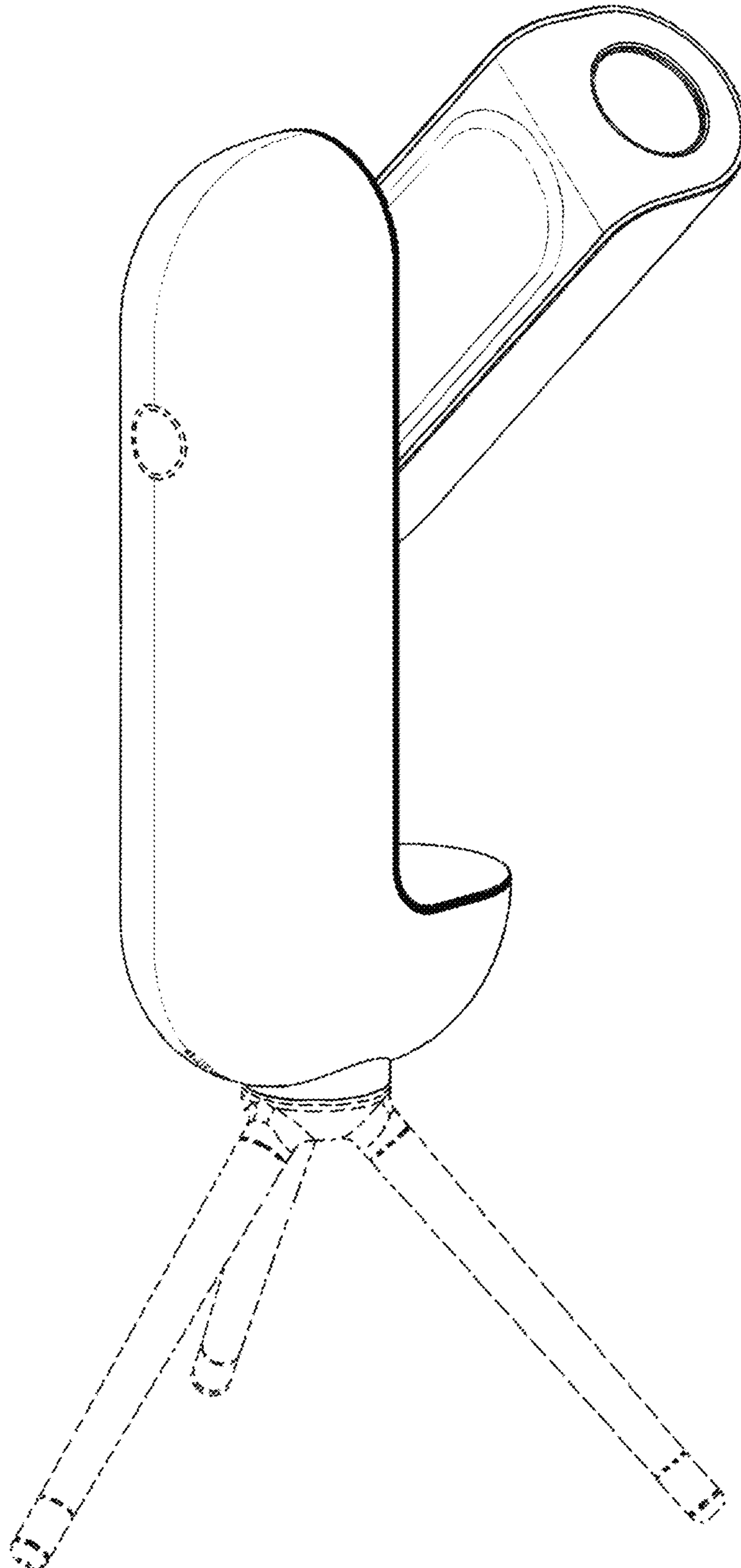
**1 Claim, 9 Drawing Sheets**



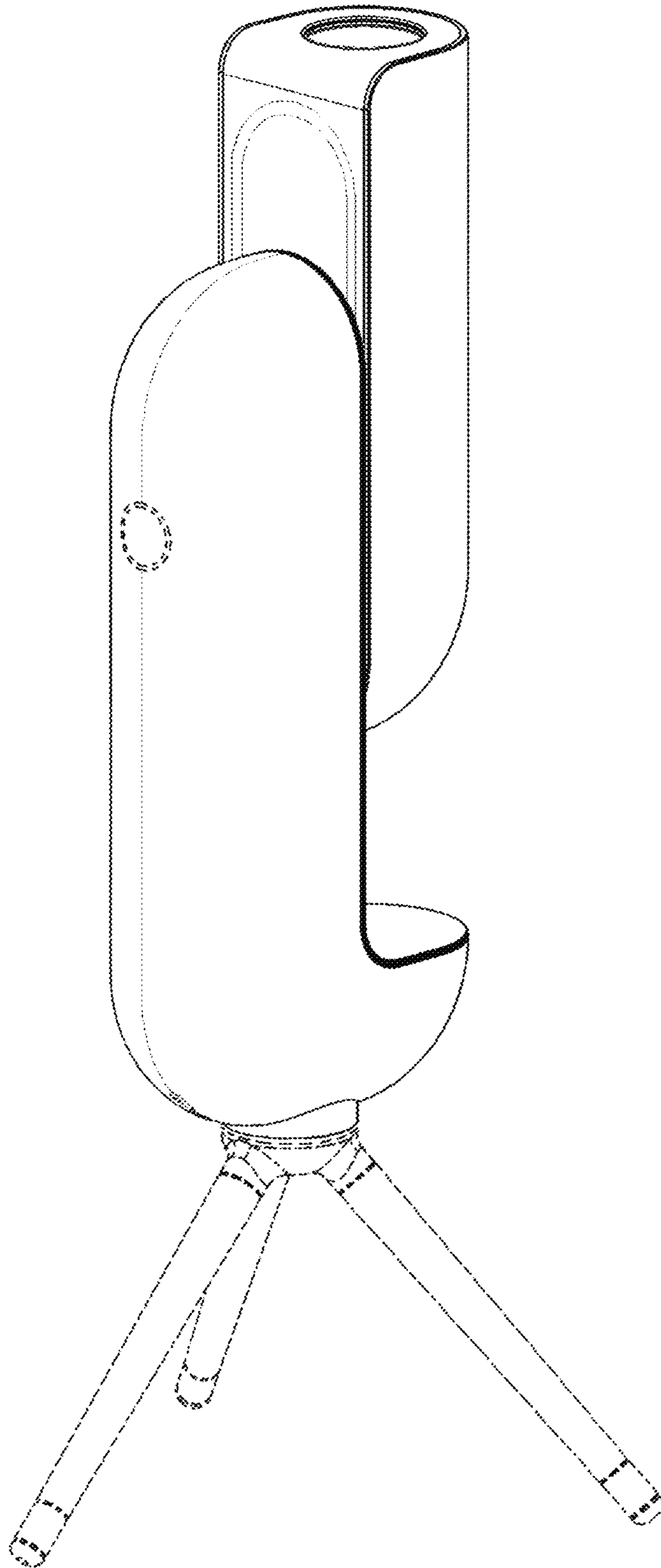
1.1



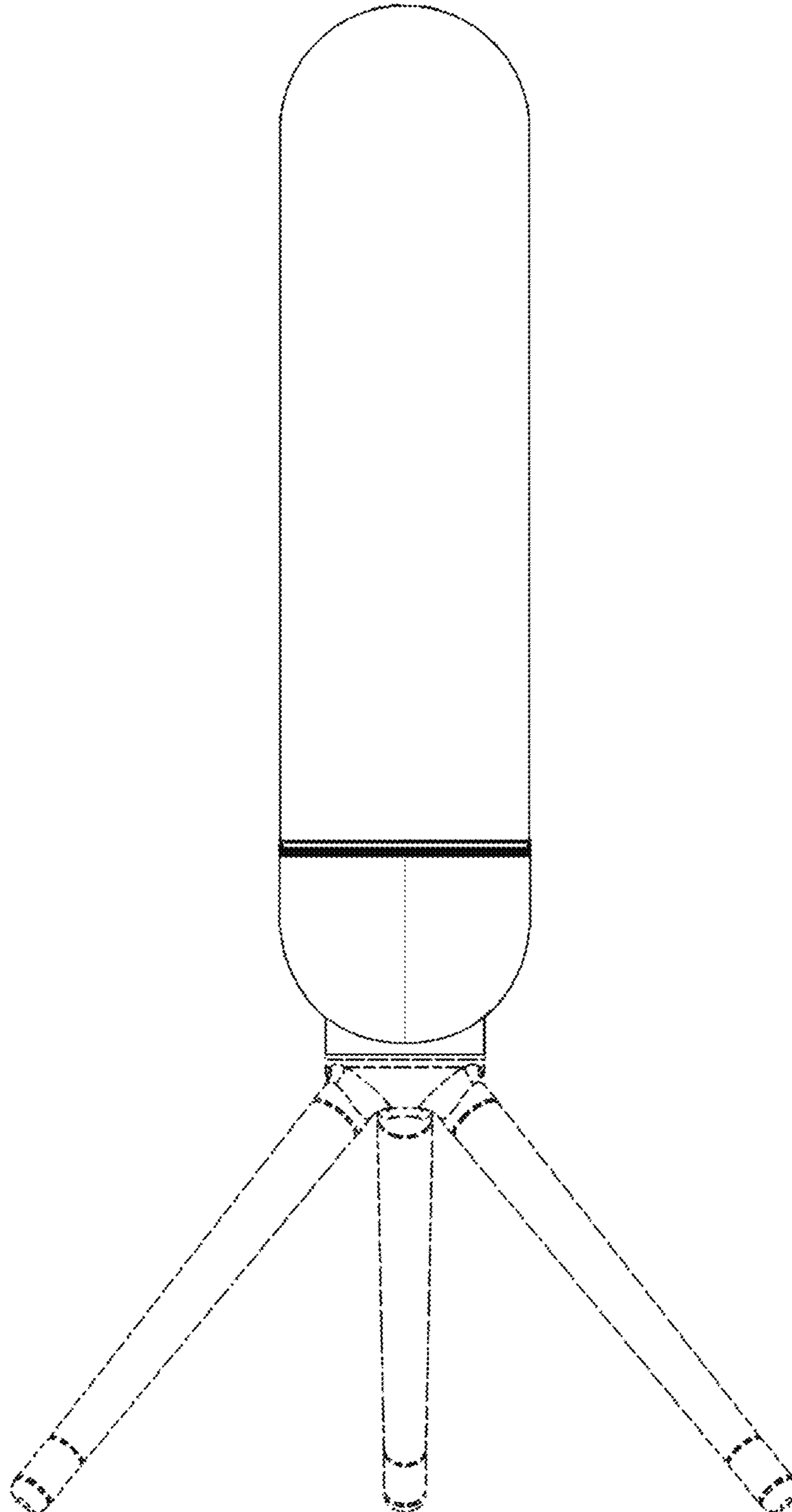
1.2



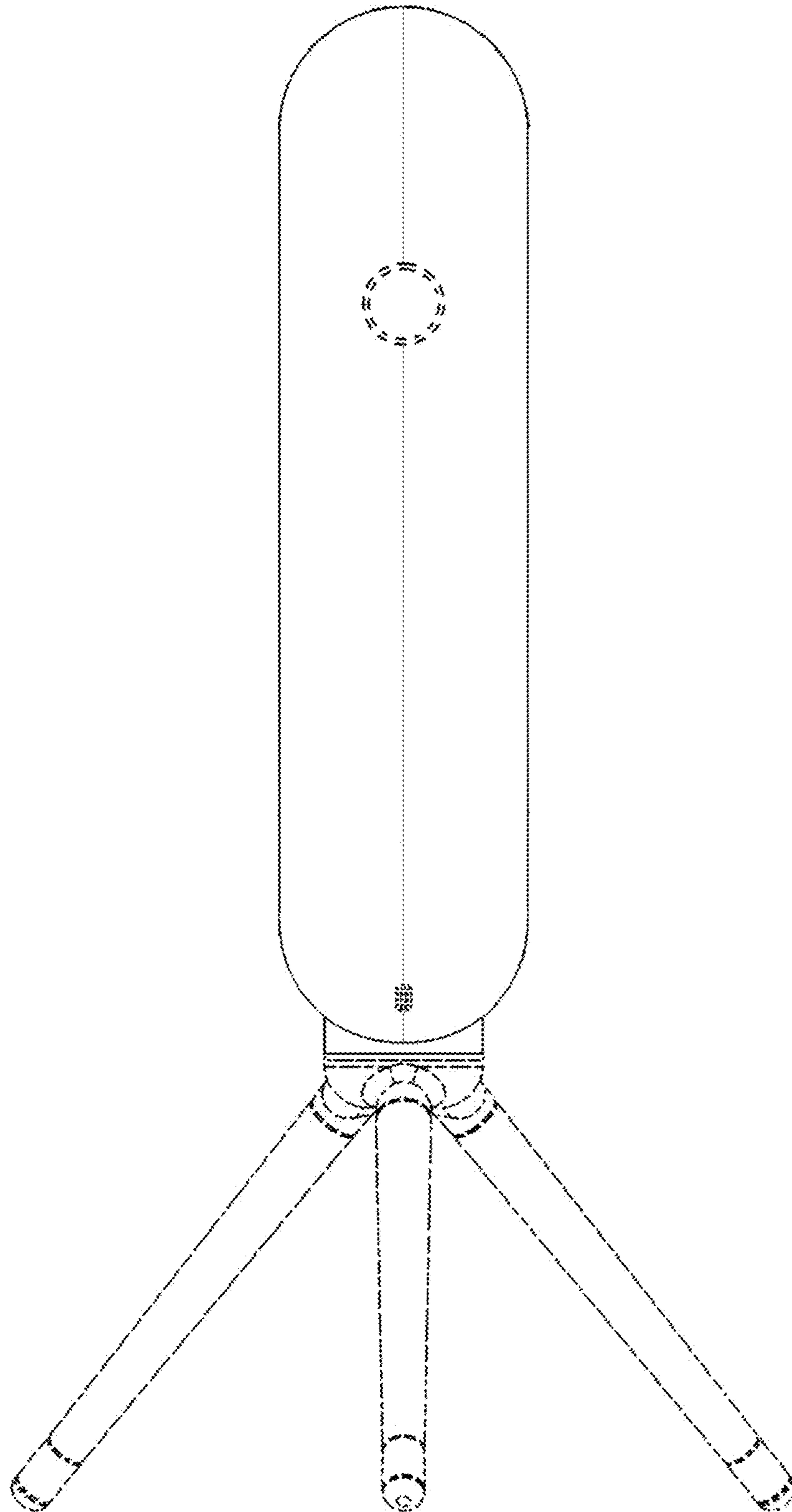
1.3



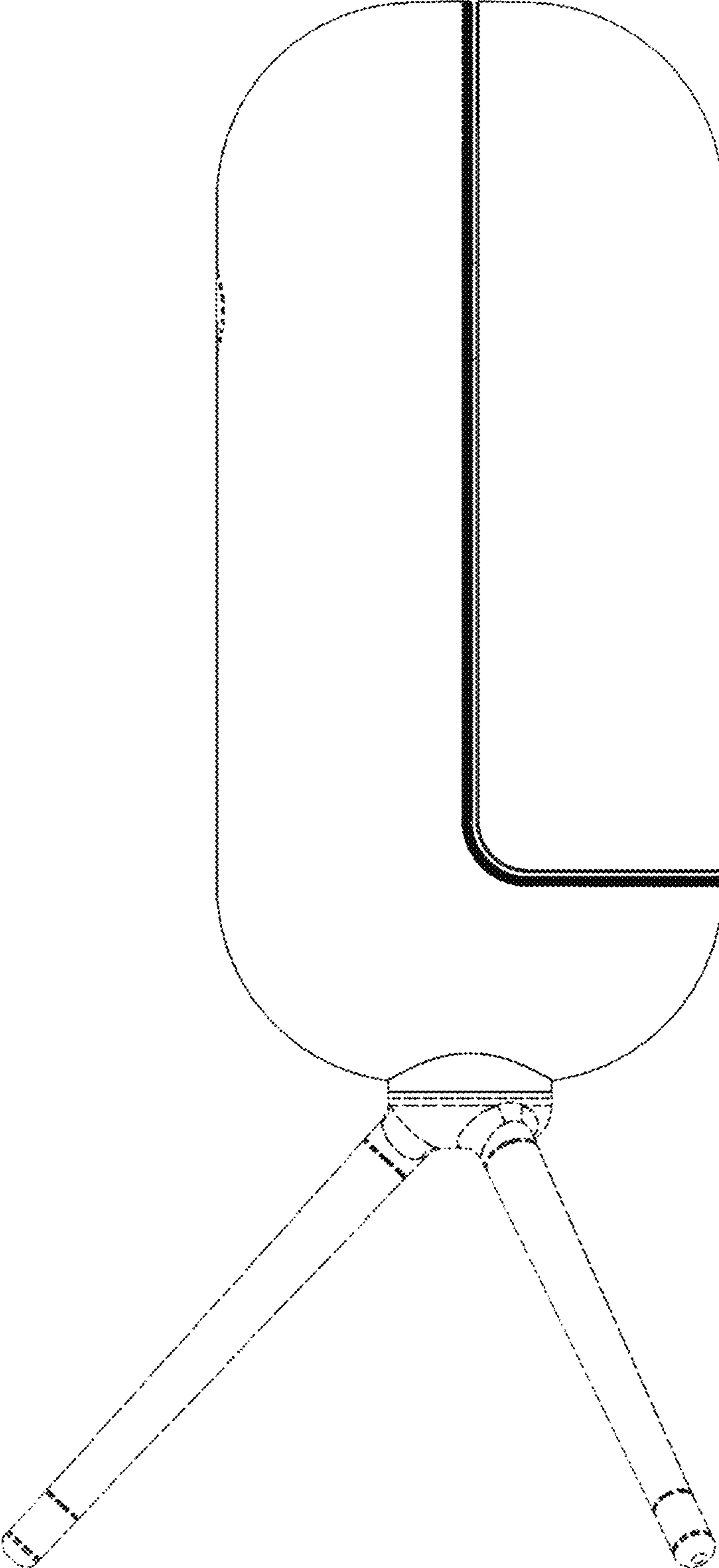
1.4



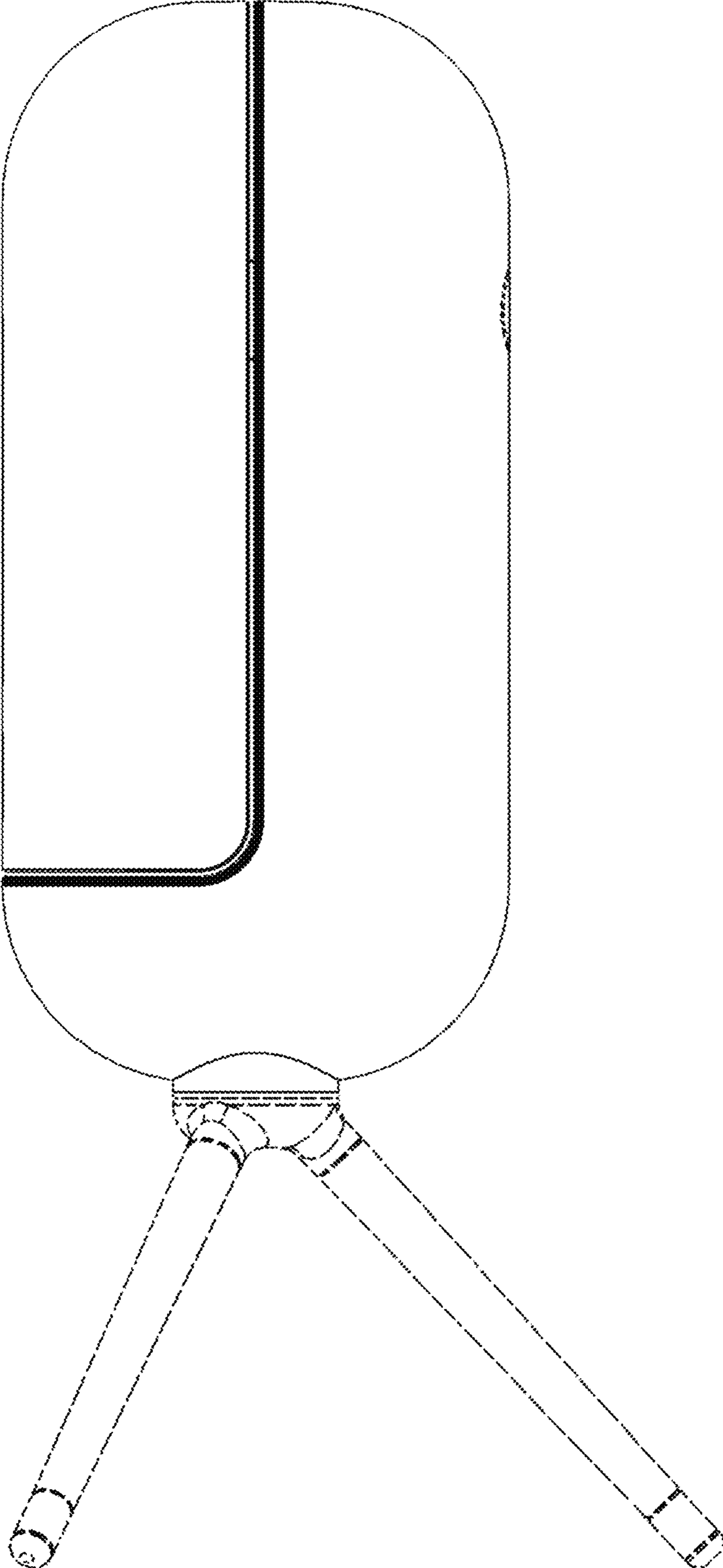
1.5



1.6

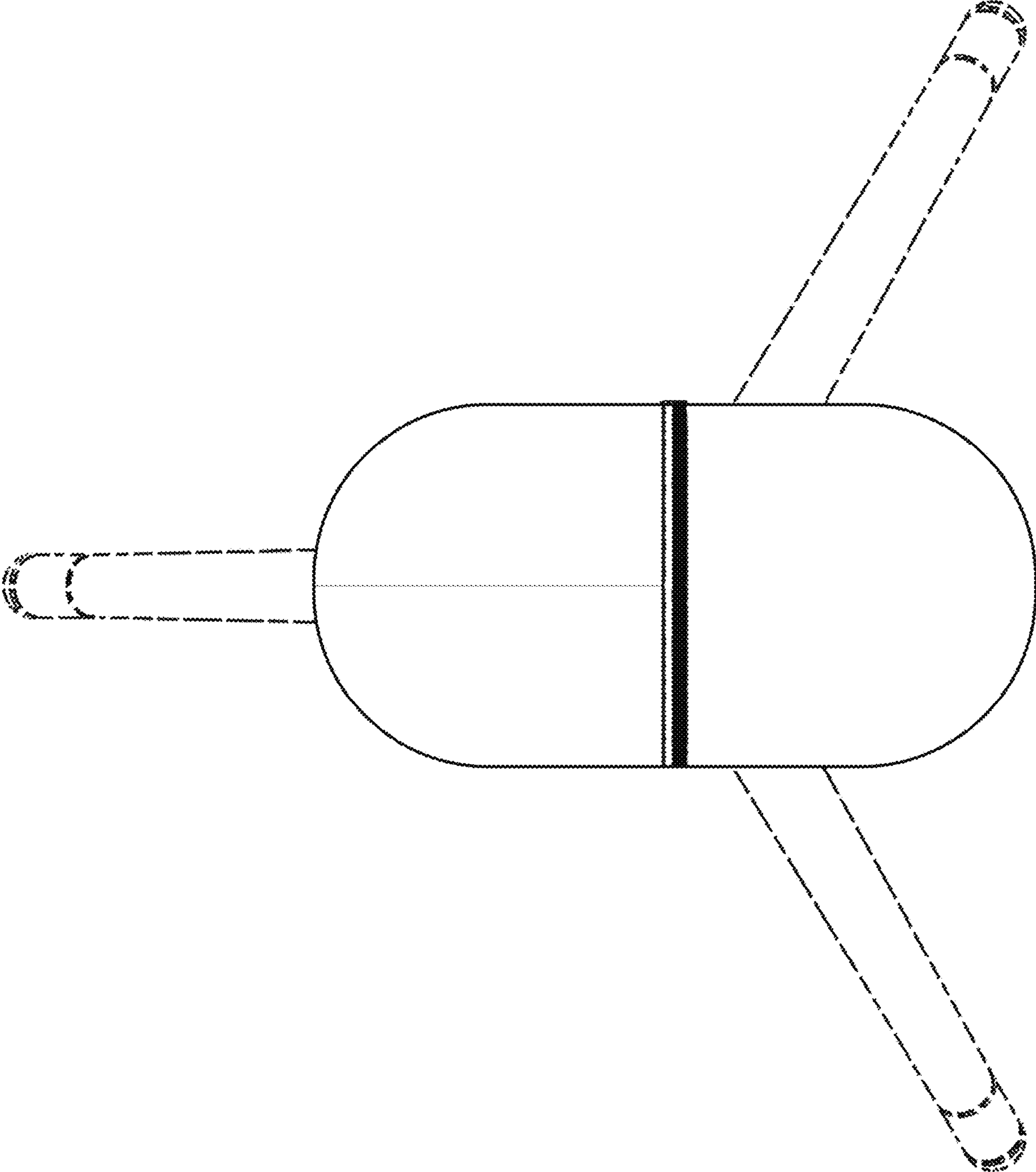


1.7





1.8



1.9

