



US00D940219S

(12) **United States Design Patent**
Kiefel

(10) **Patent No.:** **US D940,219 S**

(45) **Date of Patent:** **** Jan. 4, 2022**

(54) **ACTUATOR**

(71) Applicant: **EMG Automation GmbH**, Wenden (DE)

(72) Inventor: **Achim Kiefel**, Derschen (DE)

(73) Assignee: **EMG AUTOMATION GMBH**, Wenden (DE)

(**) Term: **15 Years**

(21) Appl. No.: **29/680,167**

(22) Filed: **Feb. 14, 2019**

(30) **Foreign Application Priority Data**

Aug. 17, 2018 (EM) 005612041-0001

(51) **LOC (13) Cl.** **15-99**

(52) **U.S. Cl.**
USPC **D15/148**

(58) **Field of Classification Search**
USPC D15/7, 143, 148, 149, 199; D13/107, D13/158; 92/5 R; 74/89.33; 310/78, 80
CPC F16D 65/78; F16D 65/807; F16D 65/847; F16D 65/827; F15B 21/0423; B60T 5/00; B60T 13/745; H02K 7/06; H02K 7/108; H02K 16/00; Y10T 74/18664; Y10T 74/134; Y10T 74/18592; Y10T 74/18696
See application file for complete search history.

(56) **References Cited**

U.S. PATENT DOCUMENTS

| | | | | |
|--------------|---------|-----------|-------|---------|
| D412,918 S * | 8/1999 | Nagai | | D15/149 |
| D480,405 S * | 10/2003 | Kleffmann | | D15/143 |
| D589,543 S * | 3/2009 | Lin | | D15/143 |
| D596,653 S * | 7/2009 | Fukano | | D15/143 |
| D597,111 S * | 7/2009 | Takeuchi | | D15/143 |
| D621,860 S * | 8/2010 | Fukano | | D15/143 |
| D624,099 S * | 9/2010 | Fukano | | D15/143 |

| | | | | |
|--------------|---------|---------|-------|---------|
| D624,572 S * | 9/2010 | Fukano | | D15/143 |
| D636,798 S * | 4/2011 | Fukano | | D15/143 |
| D636,799 S * | 4/2011 | Fukano | | D15/143 |
| D682,901 S * | 5/2013 | Peschel | | D15/143 |
| D760,805 S * | 7/2016 | Monden | | D15/7 |
| D871,471 S * | 12/2019 | Kiefel | | D15/148 |
| D888,118 S * | 6/2020 | Kiefel | | D15/148 |
| D888,774 S * | 6/2020 | Asahara | | D15/7 |
| D890,215 S * | 7/2020 | Sato | | D15/7 |

(Continued)

FOREIGN PATENT DOCUMENTS

| | | | |
|----|----------------|---|--------|
| CN | 305217302 | * | 6/2019 |
| EM | 003935147-0005 | * | 5/2017 |

(Continued)

Primary Examiner — Sheryl Lane

Assistant Examiner — Mark T. Philipps

(74) *Attorney, Agent, or Firm* — Horst M. Kasper, Esq

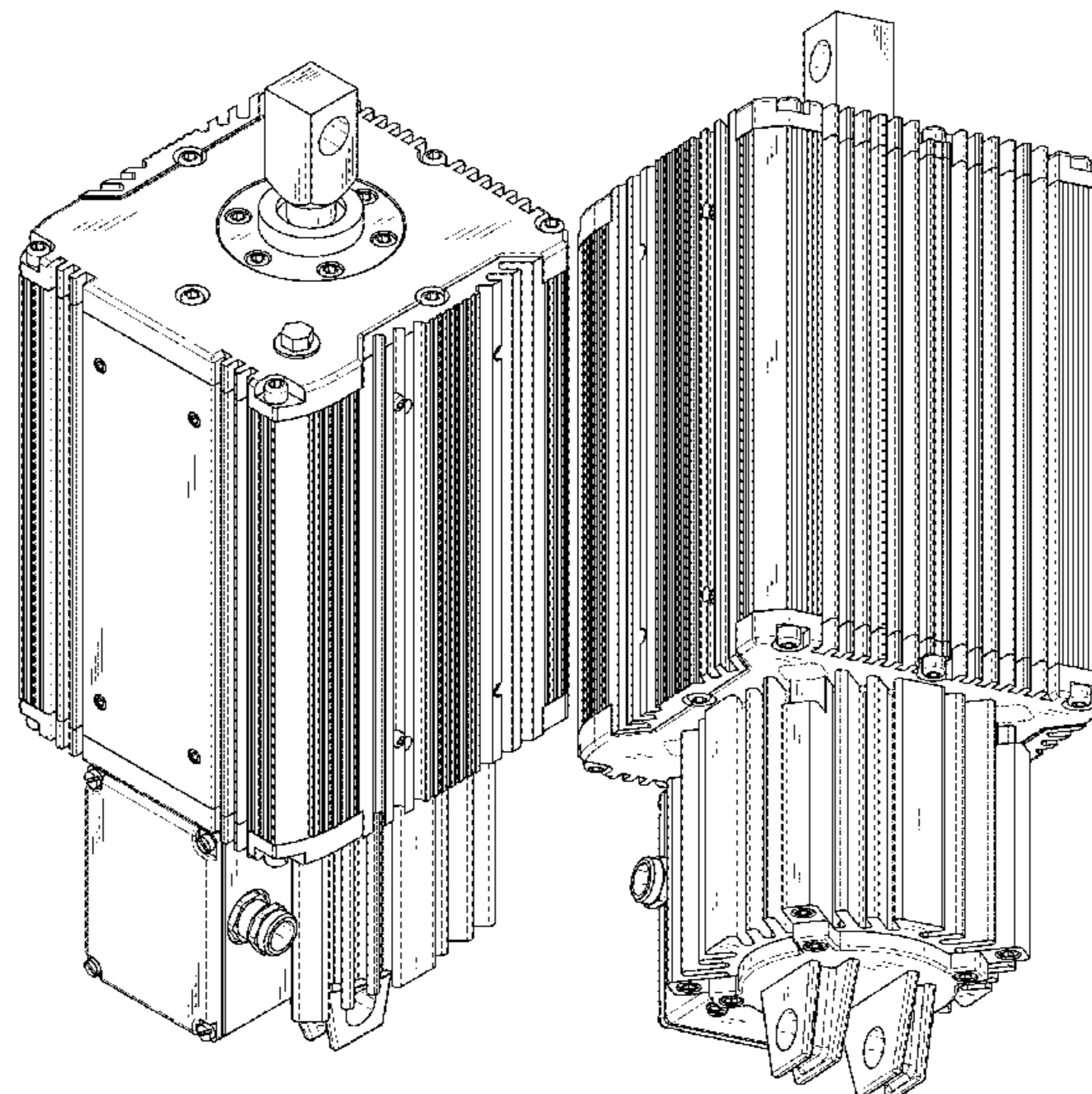
(57) **CLAIM**

The ornamental design for an actuator, as shown and described.

DESCRIPTION

FIG. 1 is a right side elevational view of an actuator showing my new design;
 FIG. 2 is a front elevational view thereof;
 FIG. 3 is a rear elevational view thereof;
 FIG. 4 is a left side elevational view thereof;
 FIG. 5 is a bottom plan view thereof;
 FIG. 6 is a top plan view thereof;
 FIG. 7 is a front, top perspective thereof;
 FIG. 8 is a rear, bottom perspective thereof;
 FIG. 9 is a cross sectional view taken at line 9-9 on FIG. 2; and,
 FIG. 10 is a cross sectional view taken at line 10-10 on FIG. 2.
 The broken line in the drawings shows environmental structures that form no part of the claimed design.

1 Claim, 9 Drawing Sheets



(56)

References Cited

U.S. PATENT DOCUMENTS

D899,465 S * 10/2020 Nemoto D15/7
2008/0048514 A1* 2/2008 Hoffmann H02K 7/06
310/78
2009/0260463 A1* 10/2009 Fukano F16H 57/0497
74/89.33
2011/0126703 A1* 6/2011 Terasaki F15B 15/2892
92/5 R
2019/0178321 A1* 6/2019 Kiefel F16D 65/78

FOREIGN PATENT DOCUMENTS

EM 003935147-0007 * 5/2017
EM 003935147-0010 * 5/2017

* cited by examiner

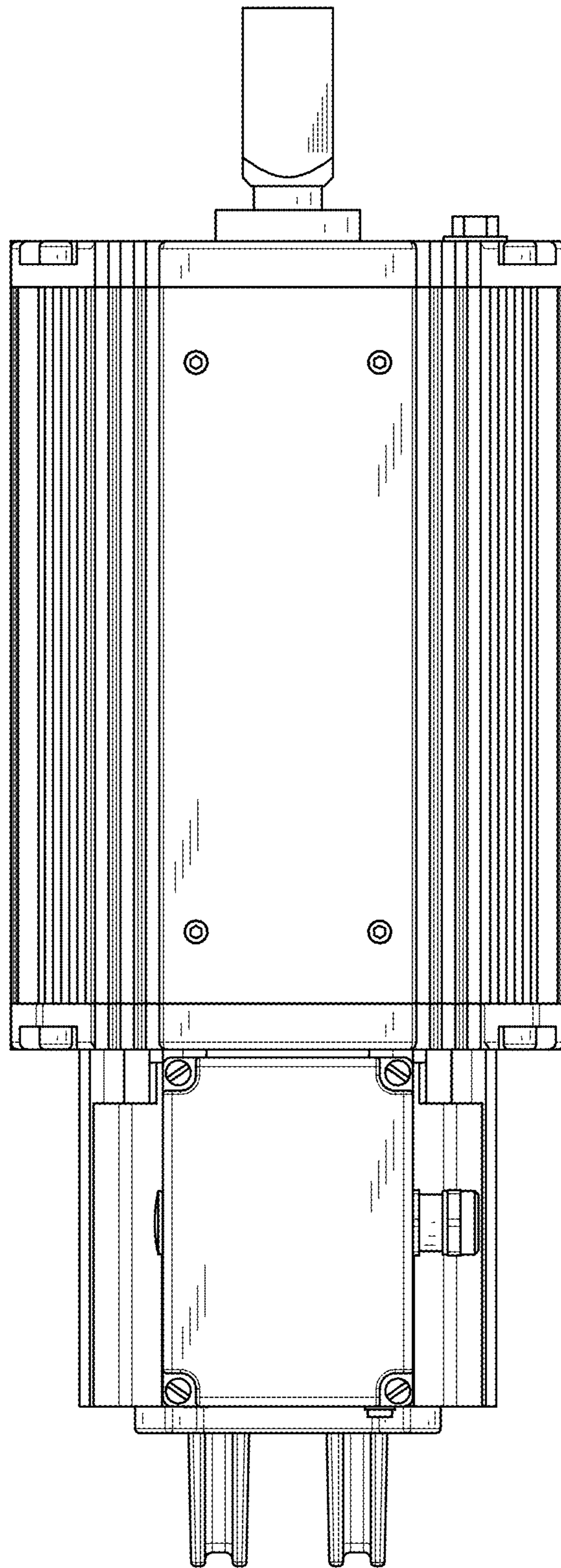


FIG. 1

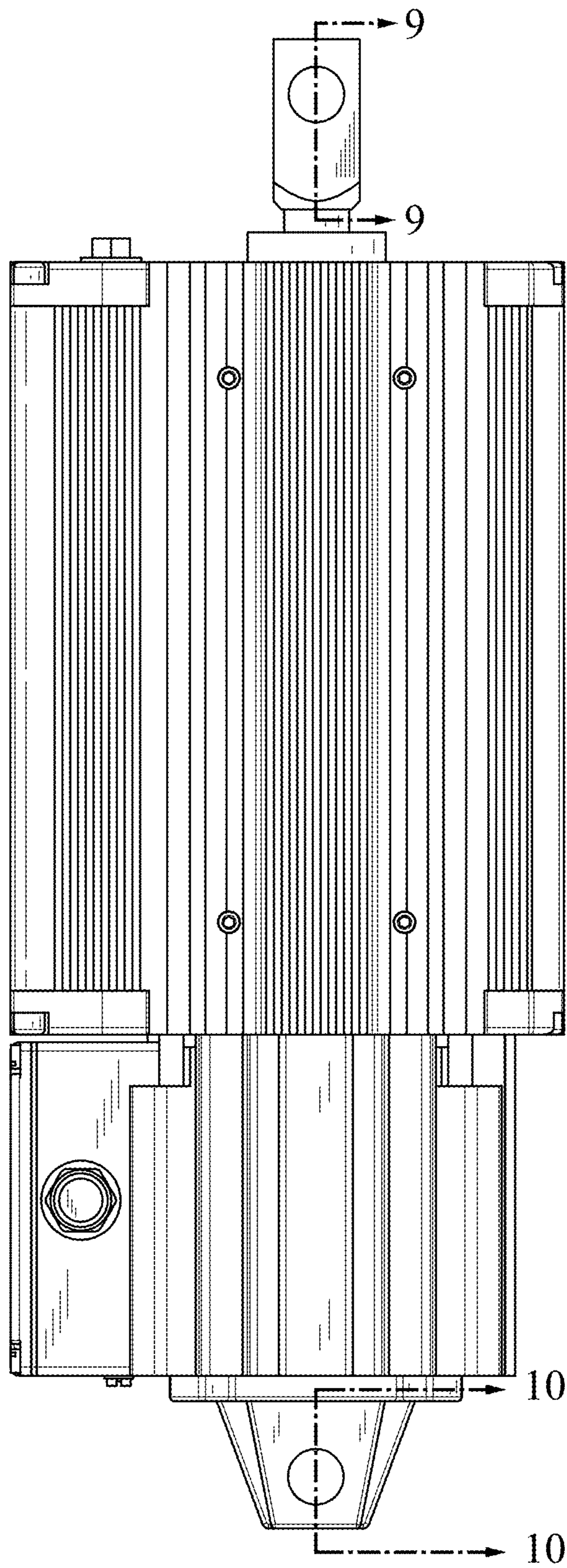


FIG.2

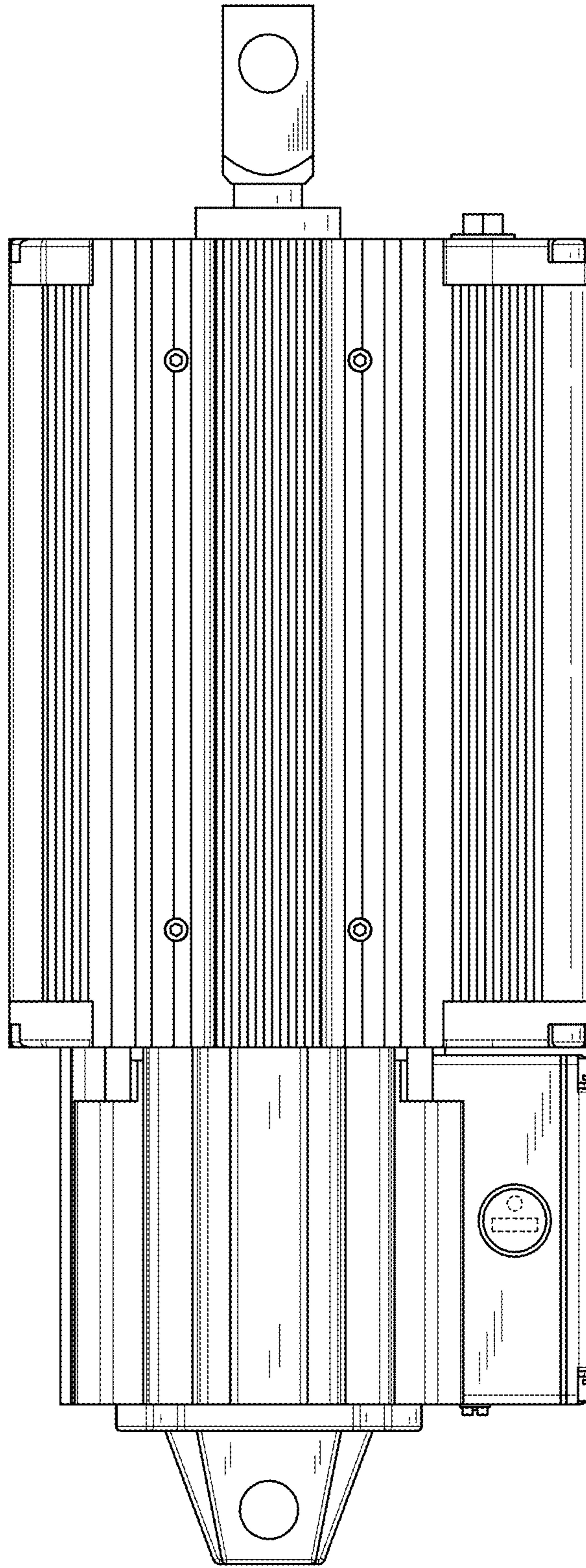


FIG.3

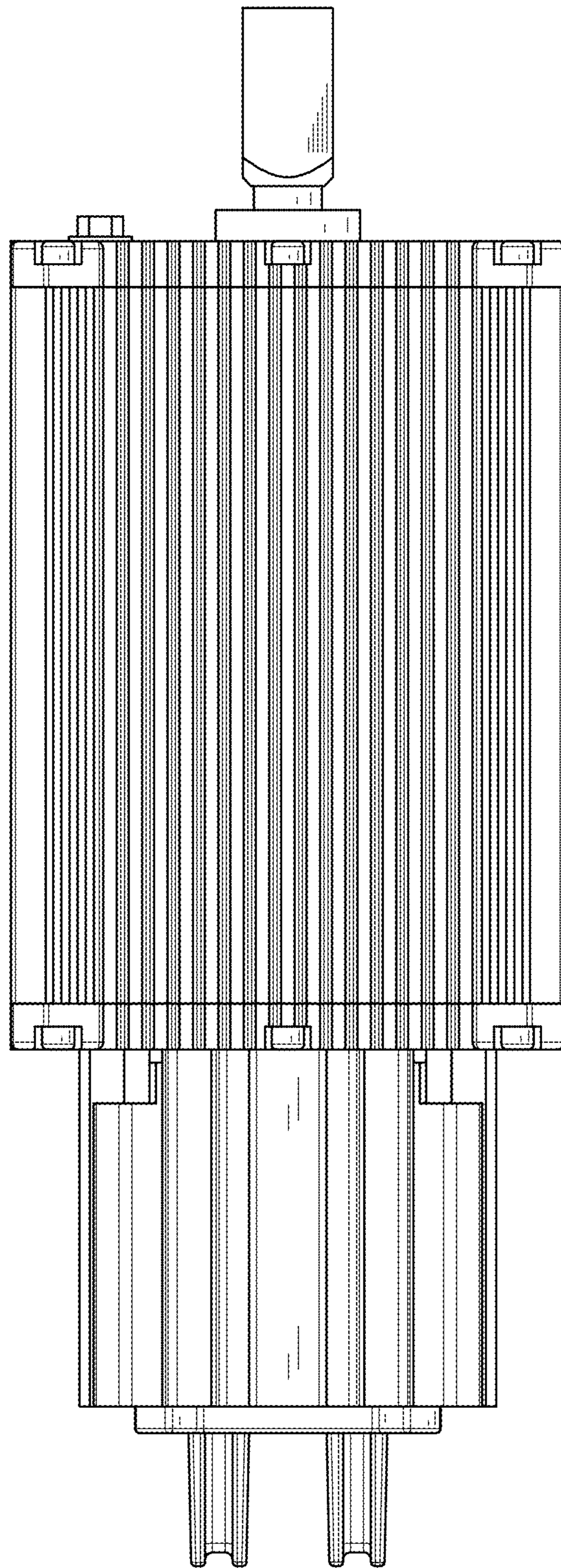


FIG.4

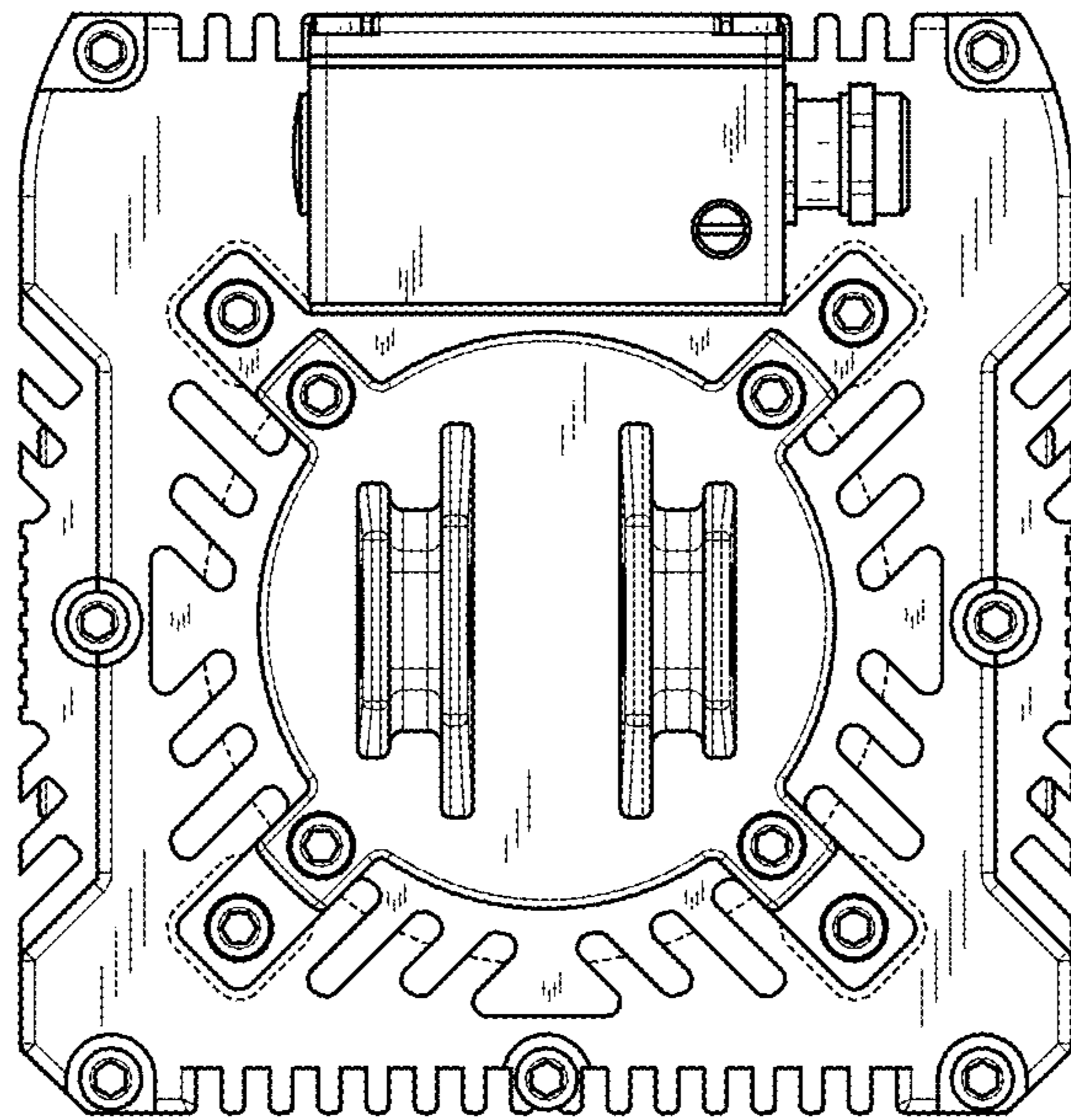


FIG.5

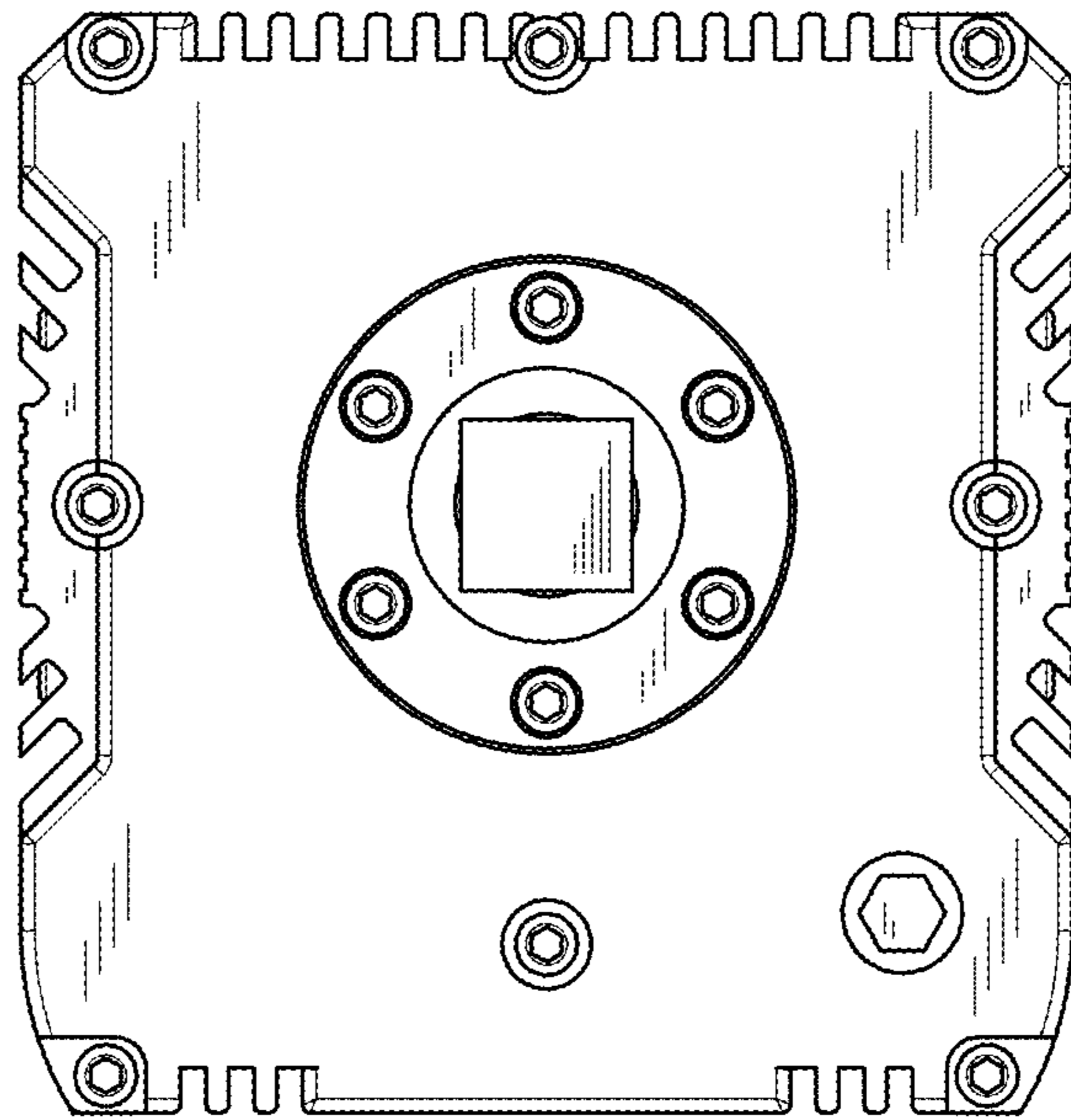


FIG.6

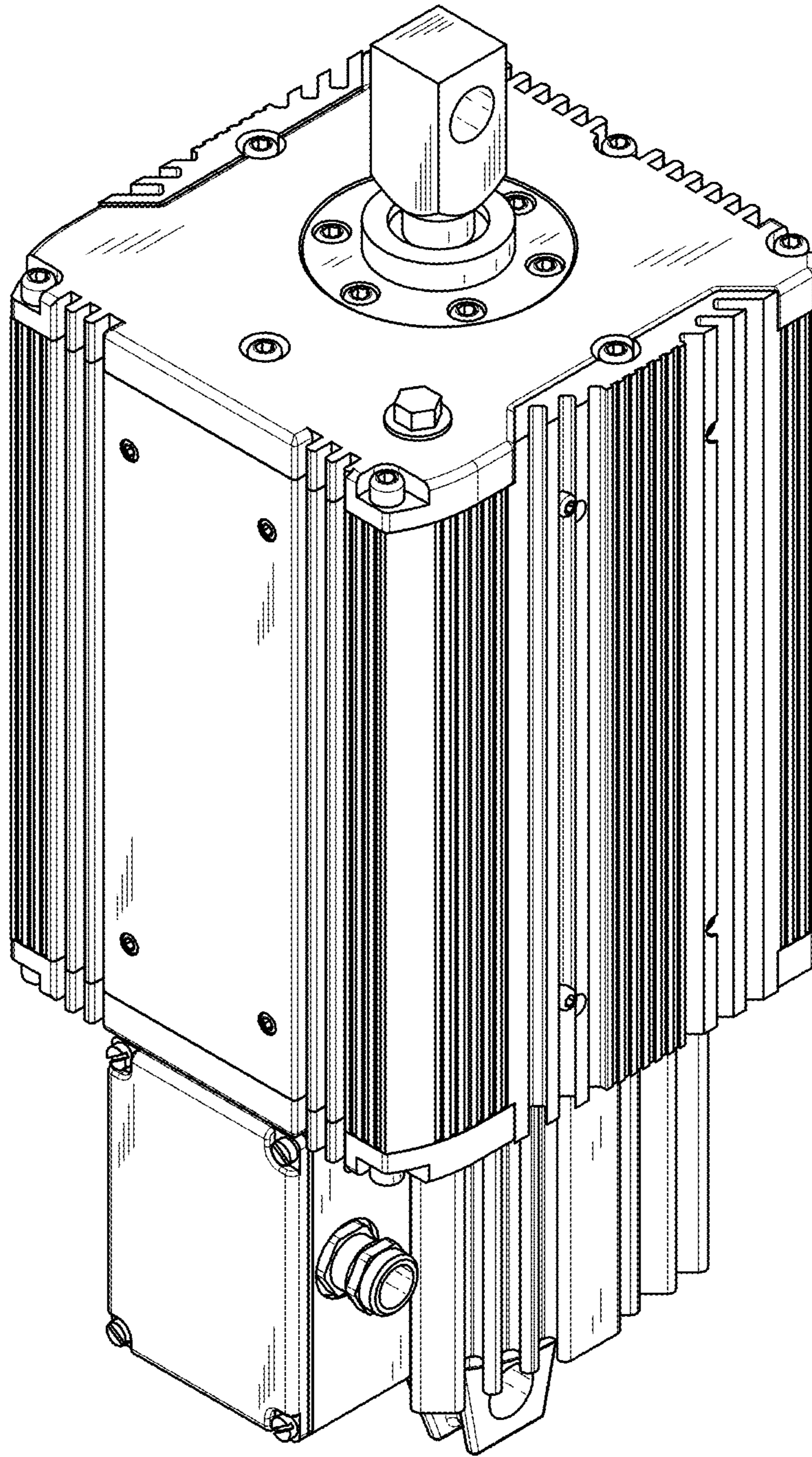


FIG. 7

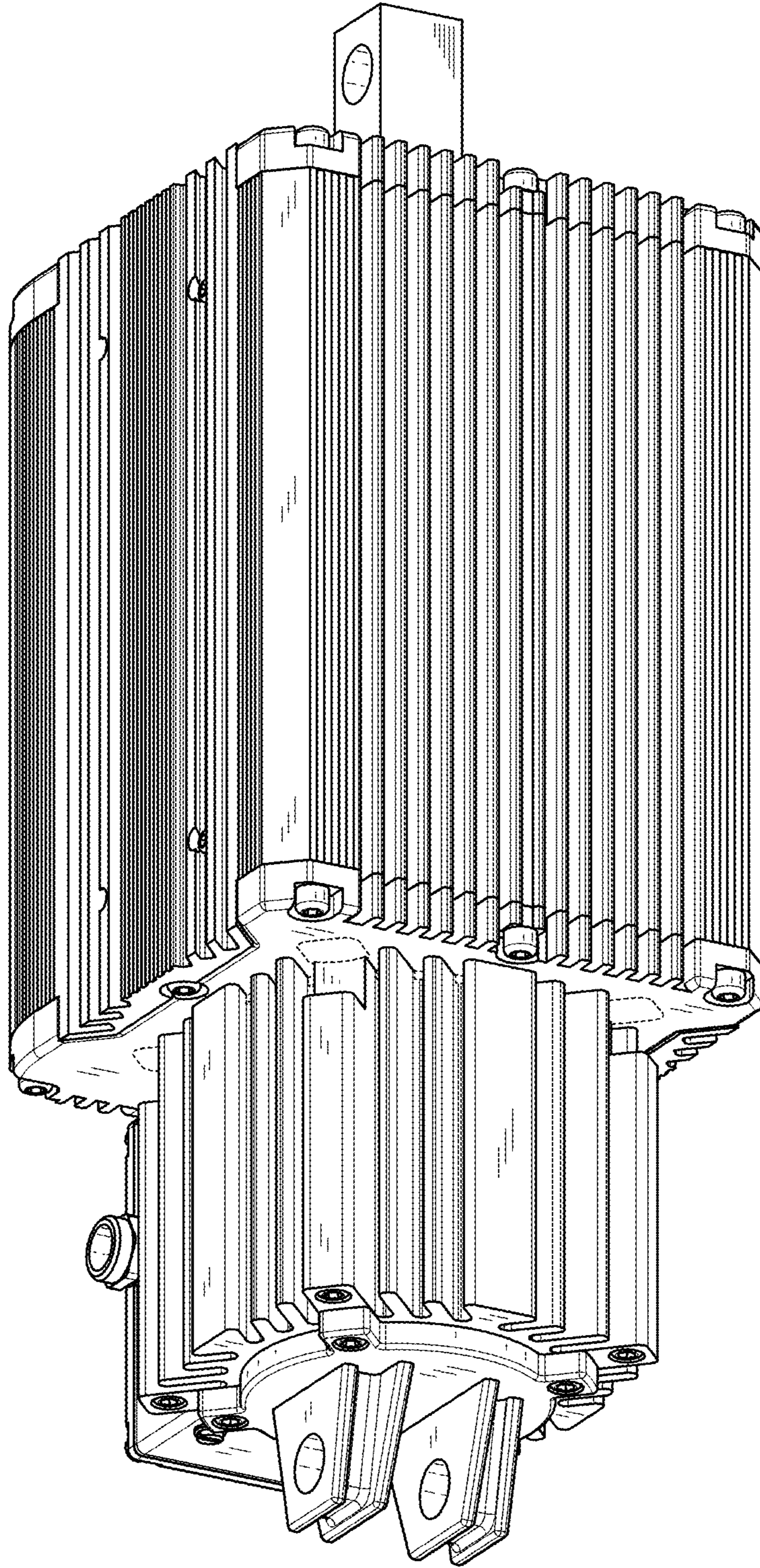


FIG.8

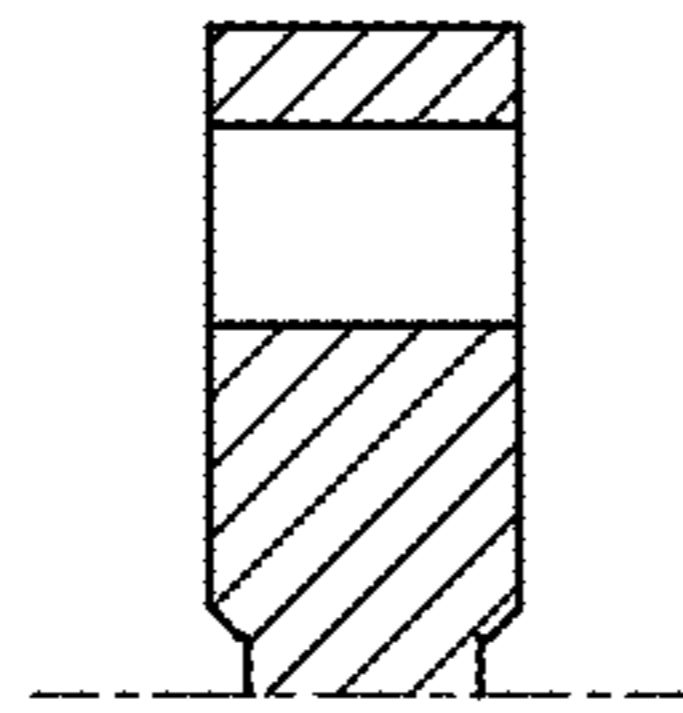


FIG. 9

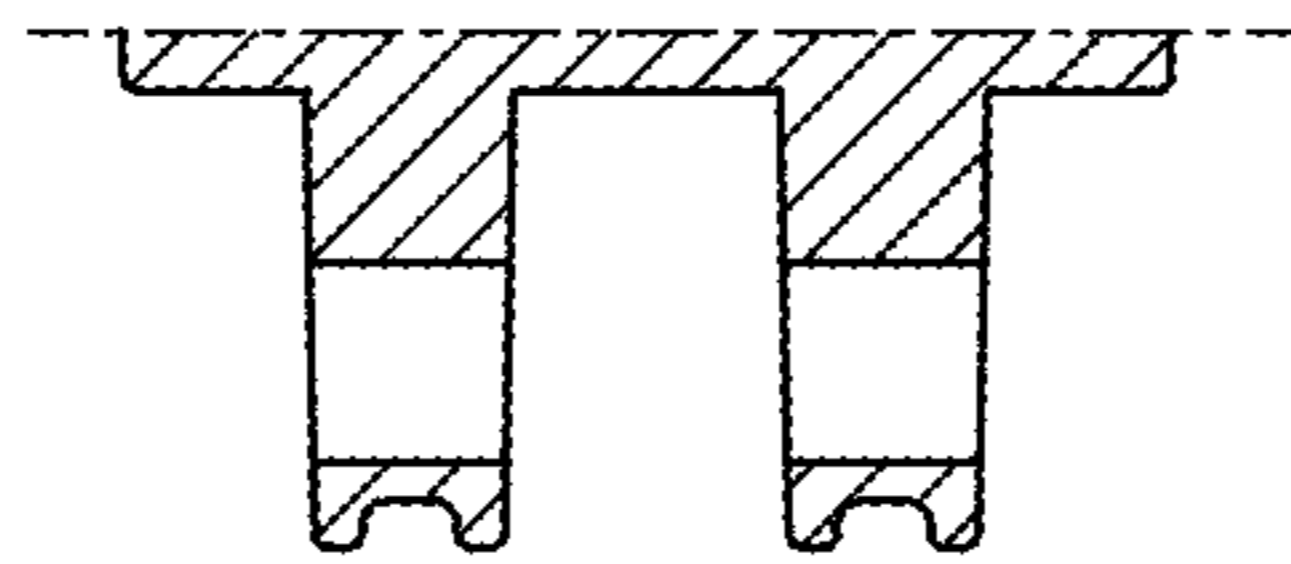


FIG. 10