



US00D940218S

(12) **United States Design Patent**
Thompson

(10) **Patent No.:** **US D940,218 S**
(45) **Date of Patent:** **** Jan. 4, 2022**

- (54) **WELDING MACHINE**
- (71) Applicant: **BLACK & DECKER INC.**, New Britain, CT (US)
- (72) Inventor: **Samuel P. Thompson**, Newcastle Upon Tyne (GB)
- (73) Assignee: **BLACK & DECKER INC.**, New Britain, CT (US)
- (**) Term: **15 Years**
- (21) Appl. No.: **29/720,515**
- (22) Filed: **Jan. 14, 2020**
- (51) **LOC (13) Cl.** **15-09**
- (52) **U.S. Cl.**
USPC **D15/144**; D15/144.2
- (58) **Field of Classification Search**
USPC D13/107, 110, 123, 133; D8/29.1, 30;
D15/7-9, 144, 144.1, 144.2
CPC B23K 9/00; B23K 10/00; B23K 10/02;
B23K 28/02; B23K 9/10; B23K 9/06;
B23K 9/32; B23K 37/0294
See application file for complete search history.

- D699,771 S * 2/2014 Barrett D15/144
 - D727,986 S * 4/2015 Matiash D15/144
 - D752,665 S * 3/2016 Kindig D15/144
 - D754,626 S * 4/2016 Evans D15/144
- (Continued)

OTHER PUBLICATIONS

Cuwiny, Cuwiny 50 Amp Dual Voltage 110/220v Non-Touch Pilot Inverter Air Plasma Cutting Machine, (first available Jan. 15, 2020), Amazon.com, URL:<<https://www.amazon.com/dp/B083WLG3G/>> (Year: 2020).*

(Continued)

Primary Examiner — Sheryl Lane
Assistant Examiner — Mark T. Philipps
(74) *Attorney, Agent, or Firm* — Adan Ayala

(57) **CLAIM**

The ornamental design for a welding machine, as shown and described.

DESCRIPTION

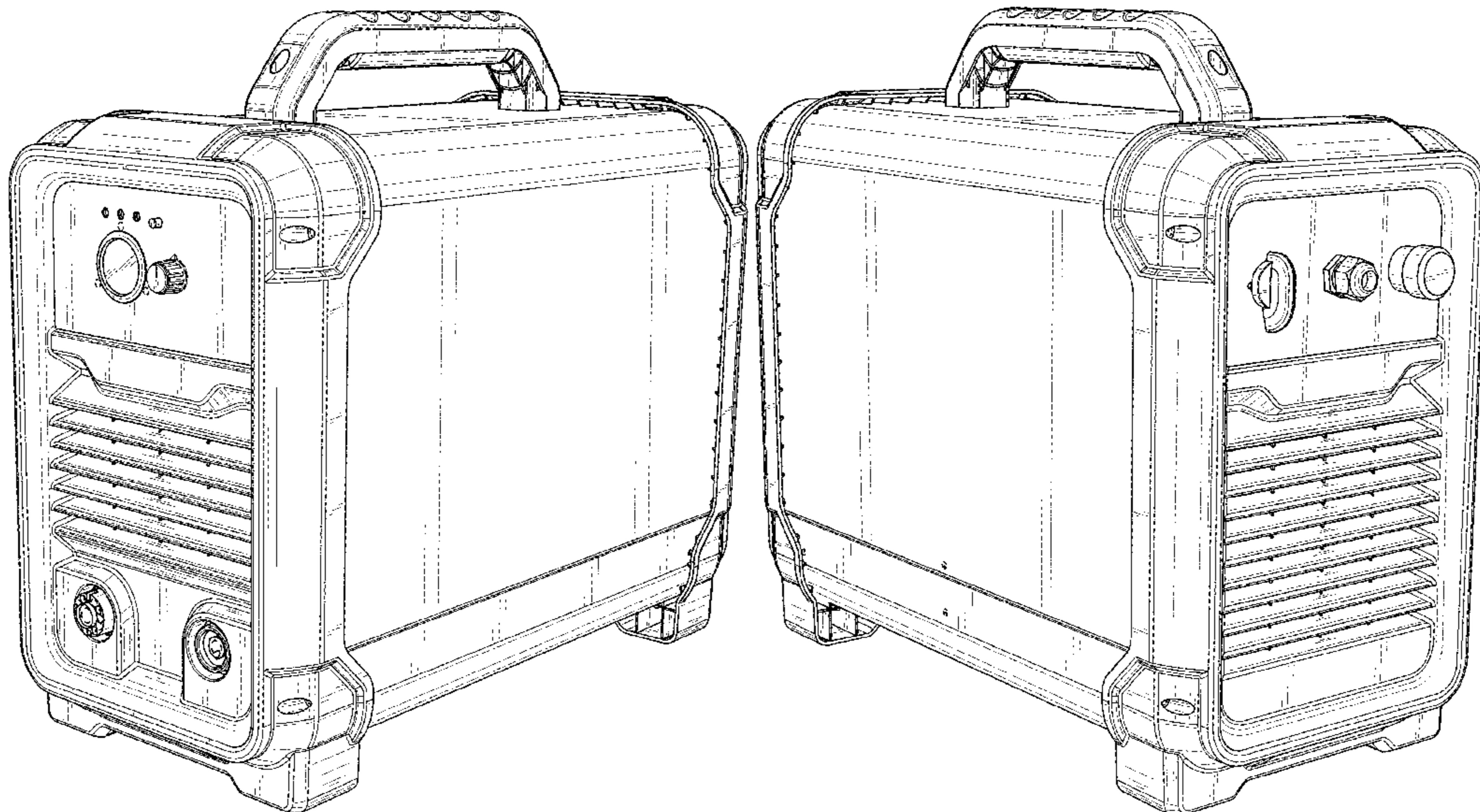
FIG. 1 is a front perspective view of a welding machine according to the invention.
FIG. 2 is a rear perspective view of the welding machine of FIG. 1.
FIG. 3 is a left view of the welding machine of FIG. 1.
FIG. 4 is a right view of the welding machine of FIG. 1.
FIG. 5 is a front side view of the welding machine of FIG. 1.
FIG. 6 is a rear side view of the welding machine of FIG. 1.
FIG. 7 is a top plan view of the welding machine of FIG. 1; and,
FIG. 8 is a bottom plan view of the welding machine of FIG. 1.
The broken lines shown in the drawings depict portions of the welding machine that form no part of the claimed design.

1 Claim, 8 Drawing Sheets

(56) **References Cited**

U.S. PATENT DOCUMENTS

- D357,927 S * 5/1995 Soderholm D15/144.1
- D386,148 S * 11/1997 Katooka D13/110
- D416,030 S * 11/1999 Weller D15/144.1
- 6,124,567 A * 9/2000 Feldhausen B23K 9/1006
219/130.1
- D518,078 S * 3/2006 Persson D15/144.1
- D520,038 S * 5/2006 Ljungfeldt D15/144.1
- D569,883 S * 5/2008 Wang D15/144
- D569,884 S * 5/2008 Shu D15/144
- D626,576 S * 11/2010 Gramatyka D15/144
- D654,519 S * 2/2012 Wujczak D15/144
- D665,833 S * 8/2012 Raymond D15/144
- D679,738 S * 4/2013 Segala D15/144



(56)

References Cited

U.S. PATENT DOCUMENTS

9,393,637 B2 * 7/2016 Farah B23K 9/1006
 D775,250 S * 12/2016 Snead D15/144
 D779,454 S * 2/2017 Crescenze D14/144
 D810,161 S * 2/2018 Snead D15/144
 D811,456 S * 2/2018 Dekker D15/144
 D813,161 S * 3/2018 Ortakales D13/110
 D820,332 S * 6/2018 Brusky D15/144
 D829,788 S * 10/2018 Lin D15/144
 D836,146 S * 12/2018 Lin D15/144
 D839,328 S * 1/2019 Lin D15/144
 D844,035 S * 3/2019 Hruska D15/144
 D854,593 S * 7/2019 Shu D15/144
 D855,092 S * 7/2019 Shu D15/144
 D860,276 S * 9/2019 Lin D15/144
 D862,544 S * 10/2019 Lin D15/144
 D862,545 S * 10/2019 Lin D15/144
 D868,126 S * 11/2019 Shu D15/144
 10,478,912 B2 * 11/2019 Evans B23K 9/32
 D873,875 S * 1/2020 Hruska D15/144

D884,042 S * 5/2020 Shu D15/144
 D884,758 S * 5/2020 Shu D15/144
 D899,357 S * 10/2020 Liu D13/107
 D907,080 S * 1/2021 Shu D15/144
 D911,935 S * 3/2021 Alexander D13/107
 D914,071 S * 3/2021 Dekker D15/144
 D917,569 S * 4/2021 Youngblutt D15/7
 11,006,552 B2 * 5/2021 Jochman H05K 7/20145
 2009/0159571 A1 * 6/2009 Salsich B23K 10/00
 219/121.36
 2009/0277881 A1 * 11/2009 Bornemann H05H 1/34
 219/121.39

OTHER PUBLICATIONS

Tooliom, 200A MIG Welder 3 in 1 Flux MIG / Solid Wire / Lift TIG / Stick Welder 110 / 220V Dual Voltage Welding Machine, (first available Aug. 10, 2020) Amazon.com, URL:<<https://www.amazon.com/dp/B08C9J3PS2/>> (Year: 2020).*

* cited by examiner

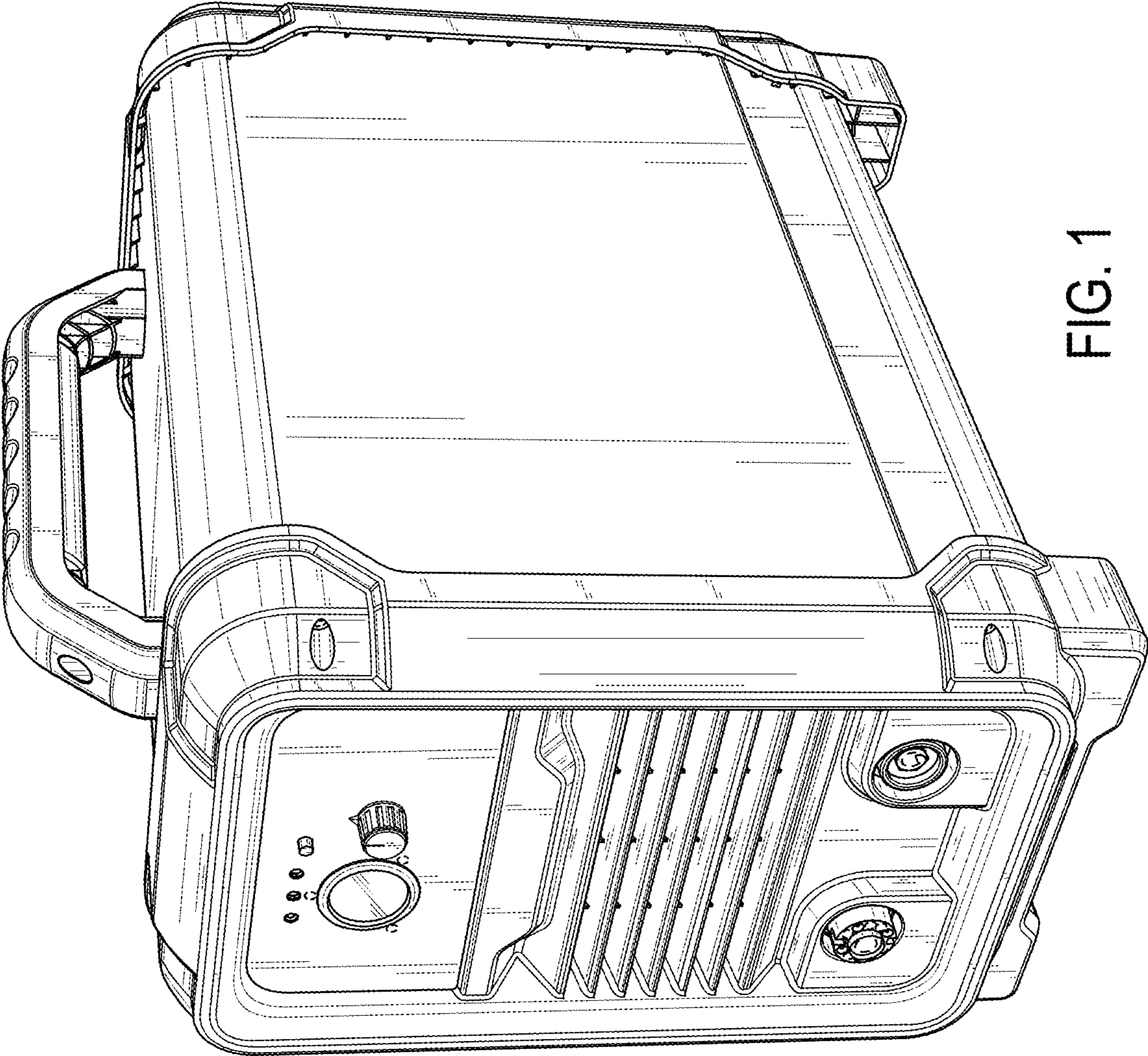


FIG. 1

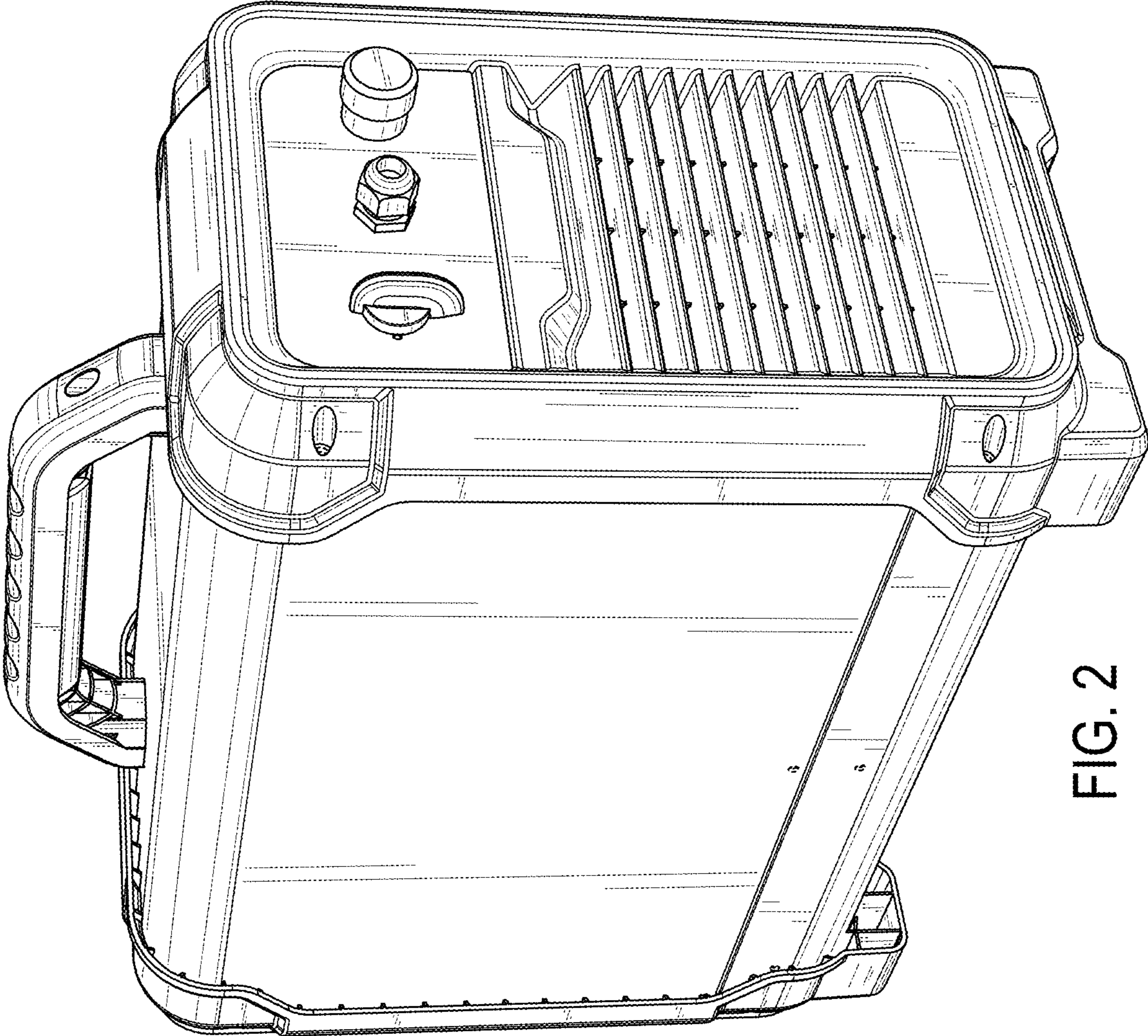


FIG. 2

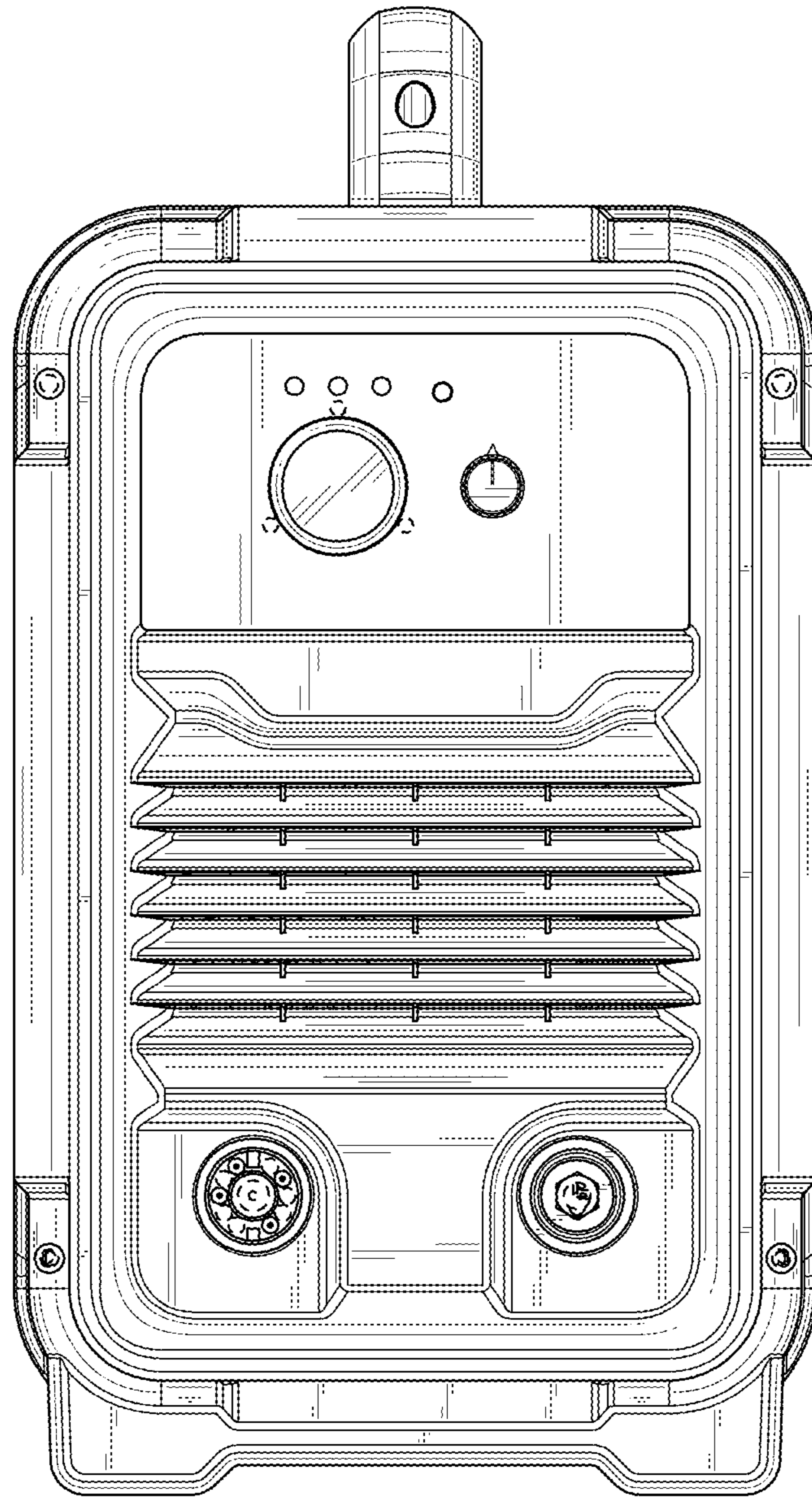


FIG. 3

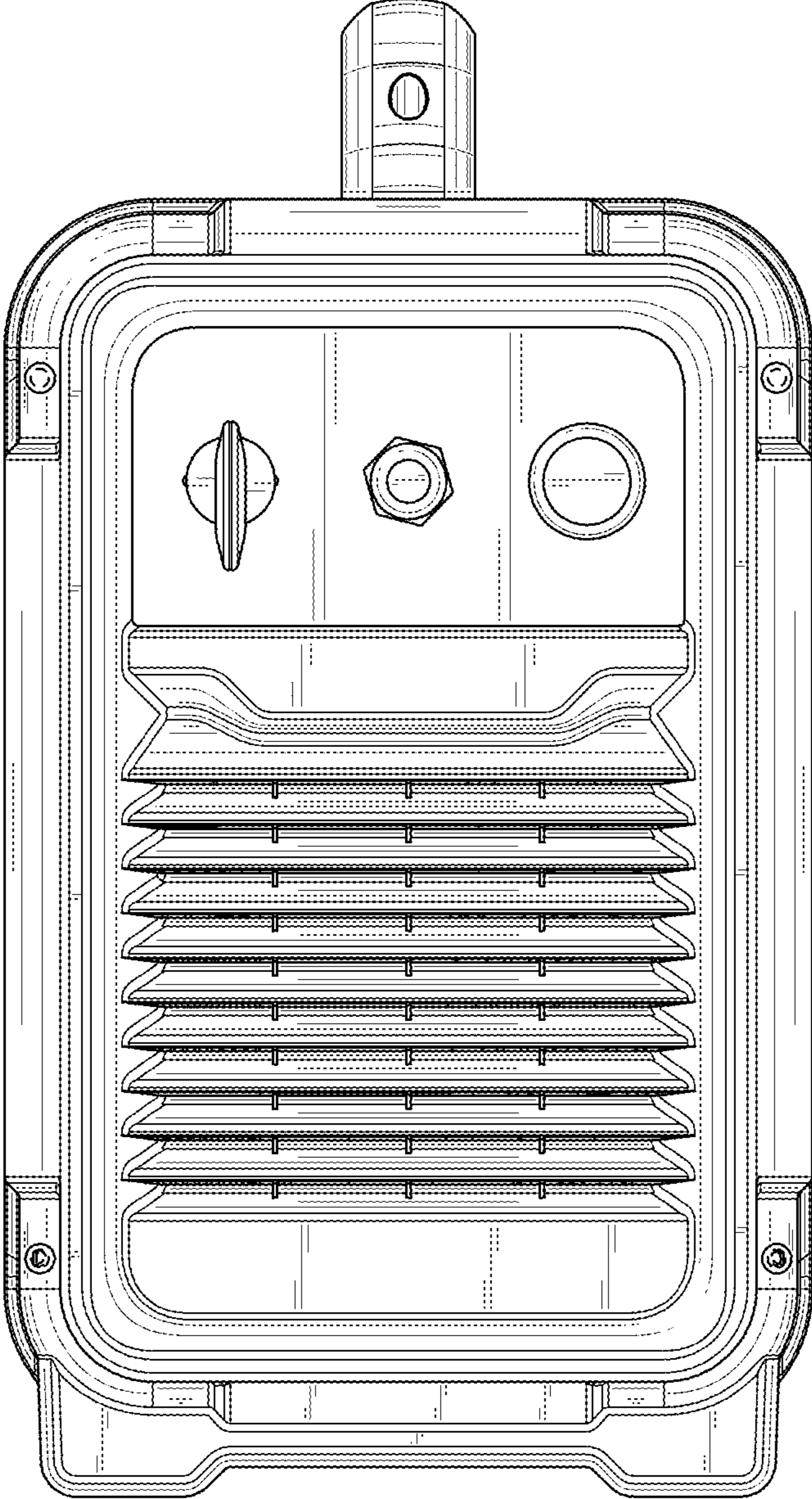


FIG. 4

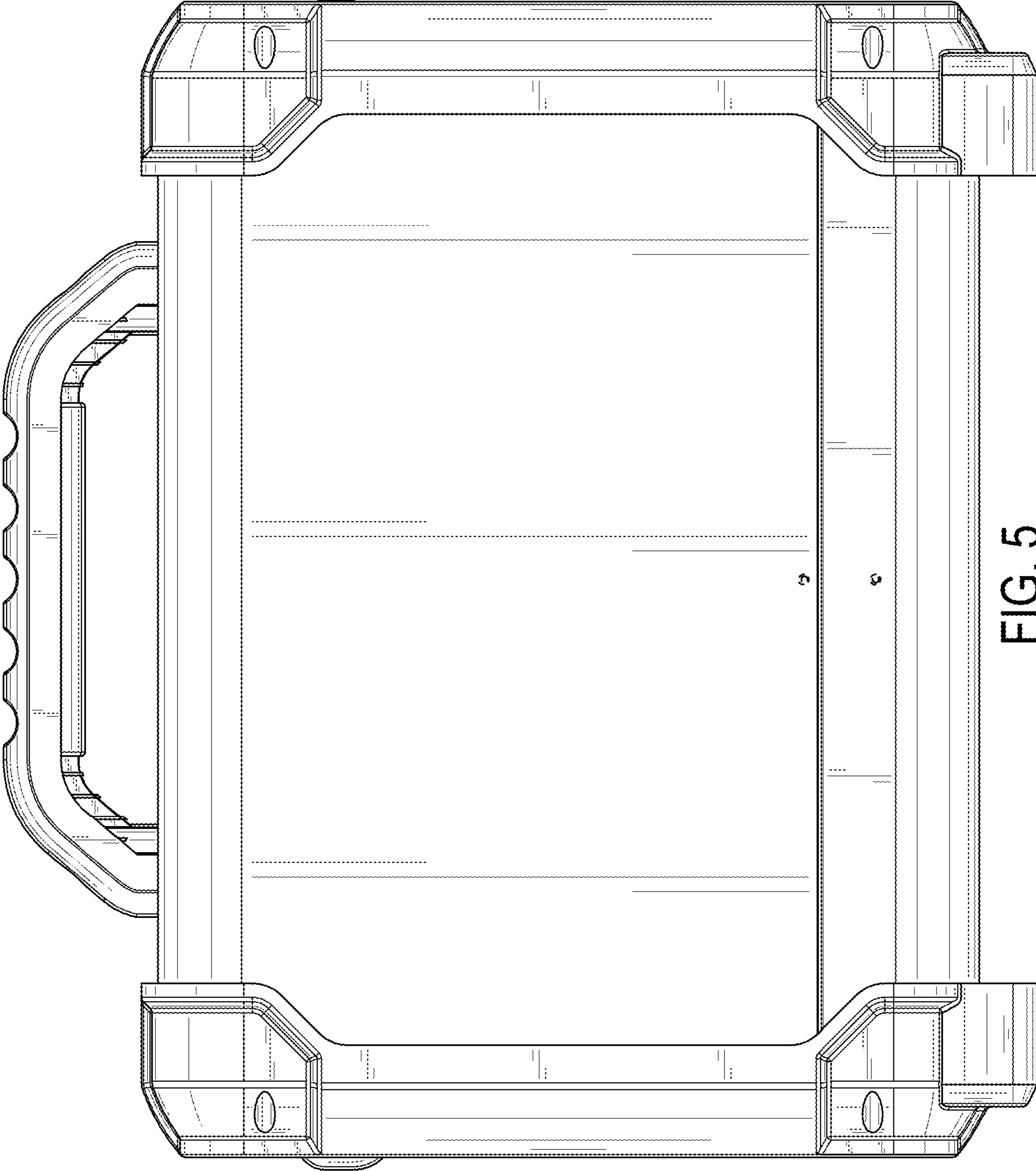


FIG. 5

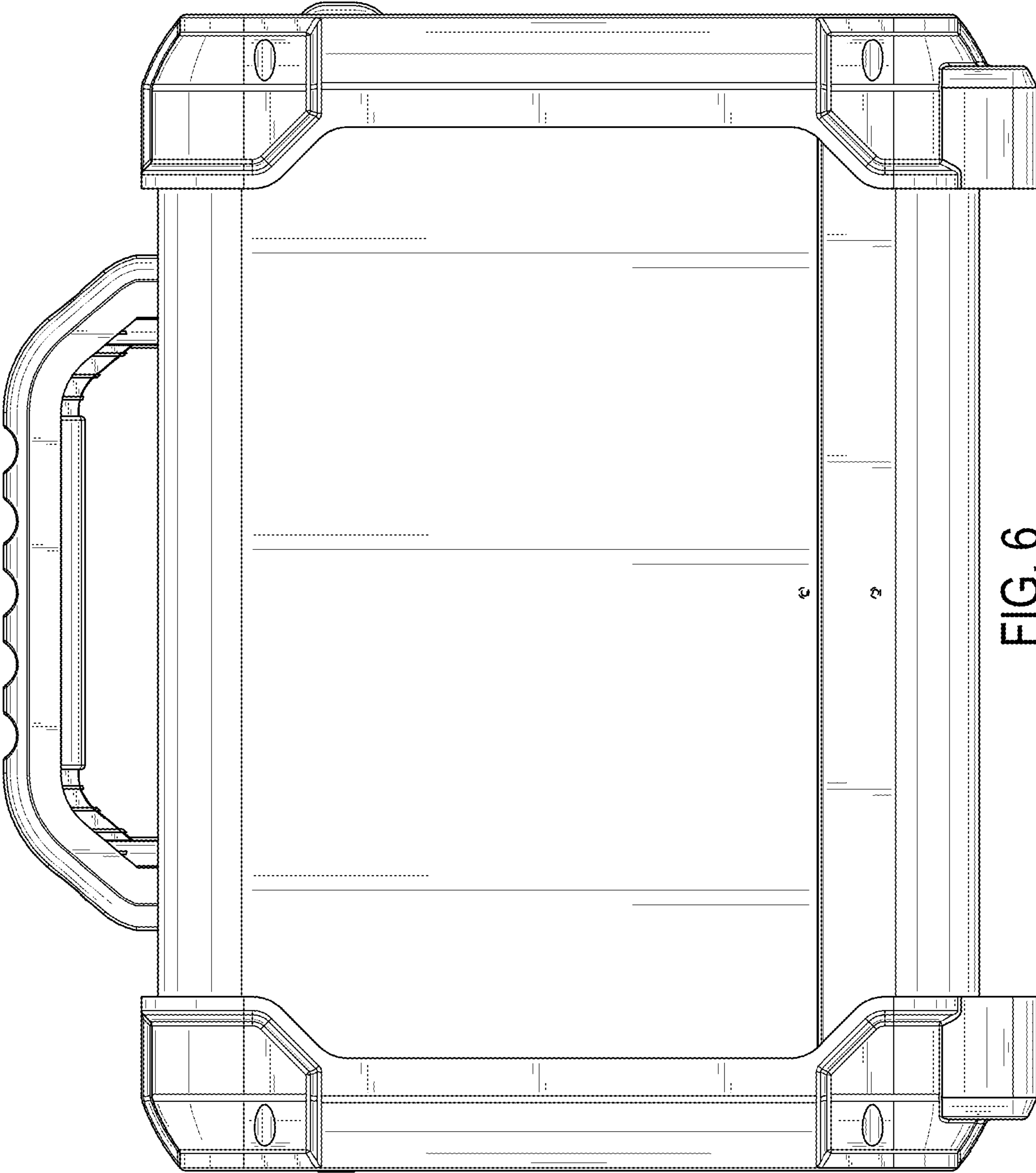


FIG. 6

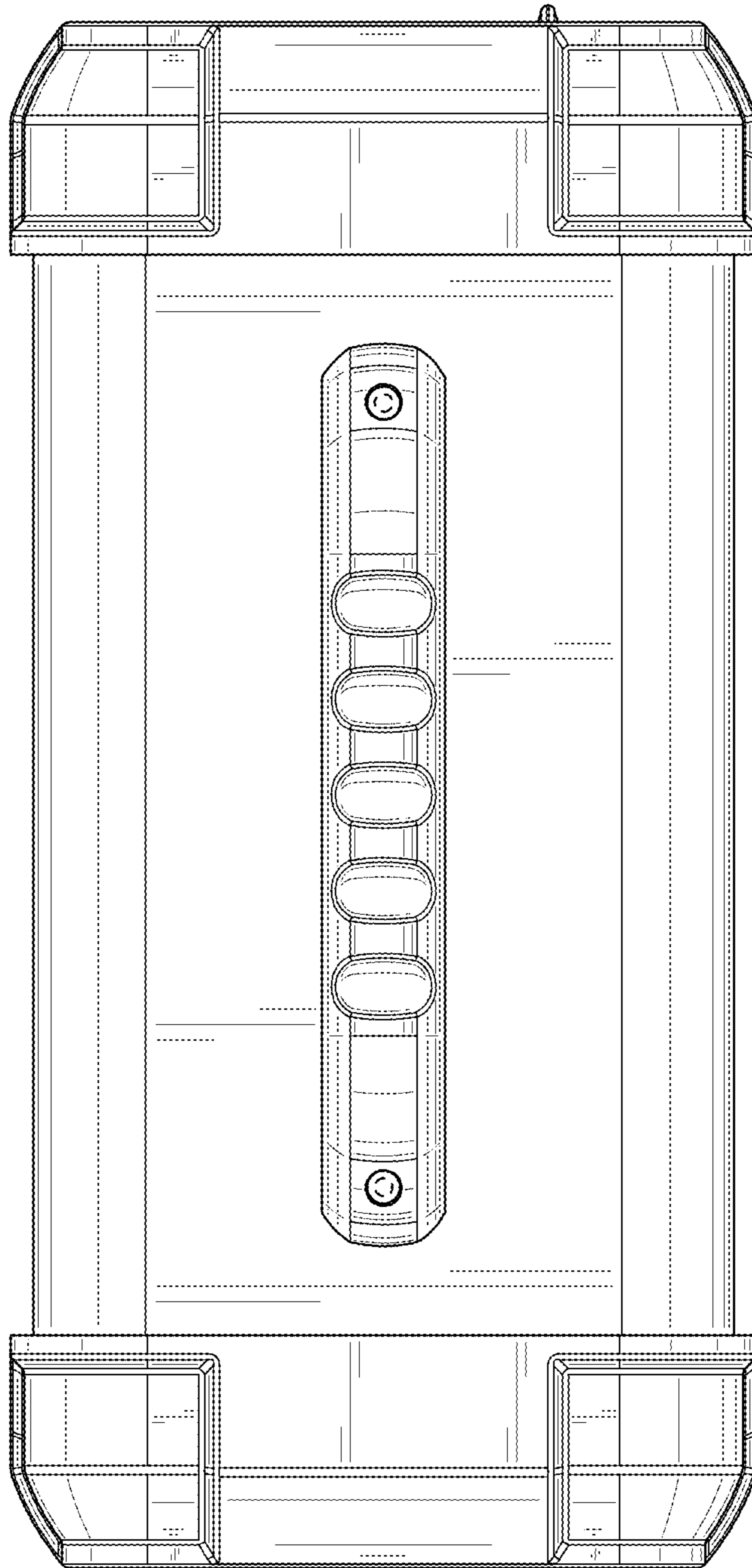


FIG. 7

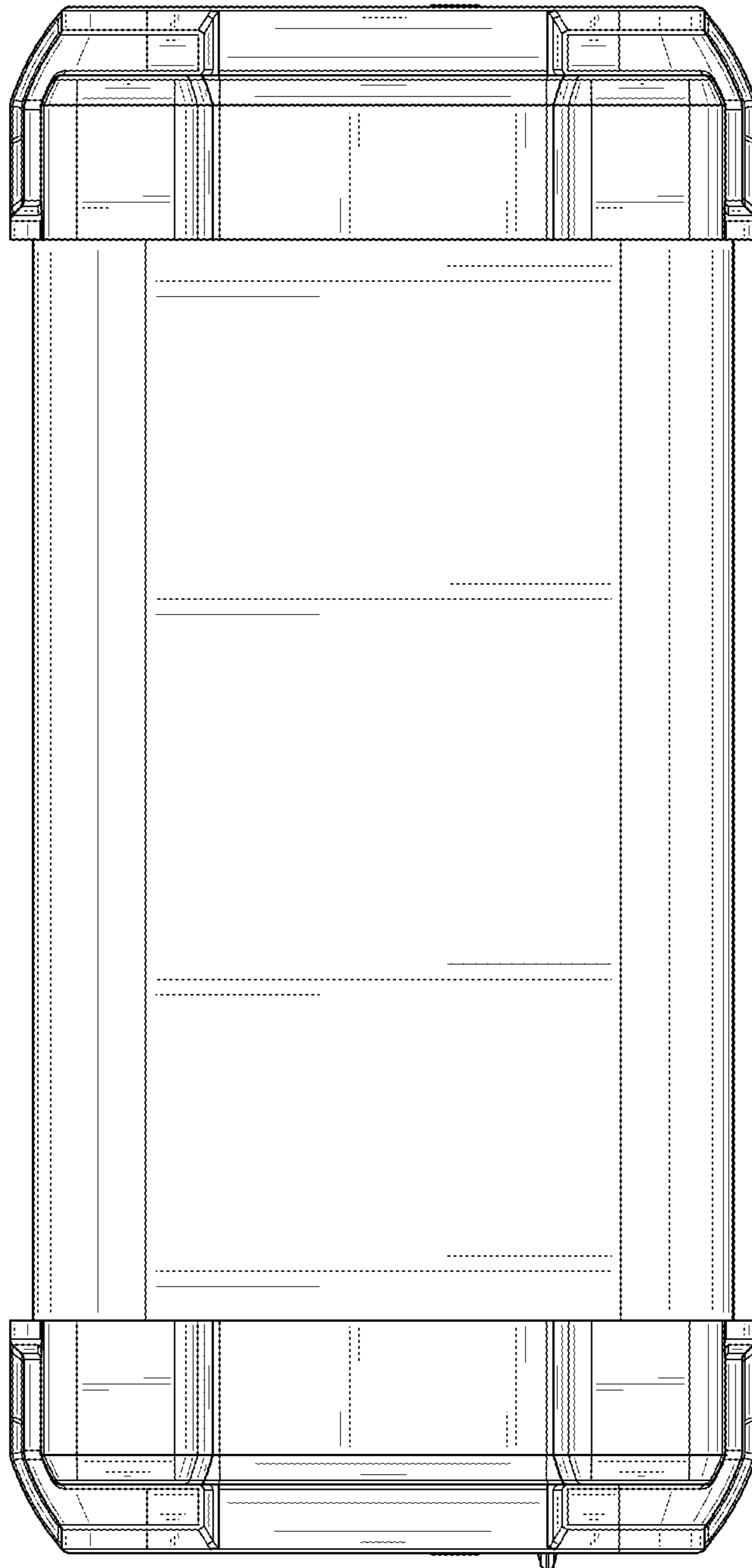


FIG. 8