



US00D940217S

(12) **United States Design Patent** (10) **Patent No.:** **US D940,217 S**
Hidaka (45) **Date of Patent:** **** Jan. 4, 2022**

(54) **ADAPTER FOR AN ELECTRODE FOR ELECTRIC WELDING**

D517,577 S * 3/2006 Conway D15/144
D522,026 S * 5/2006 Colson, Jr. D15/144
D527,401 S * 8/2006 Mizuno D15/144

(Continued)

(71) Applicant: **SMK Co., Ltd.**, Sagamihara (JP)

(72) Inventor: **Masato Hidaka**, Sagamihara (JP)

(73) Assignee: **SMK CO., LTD.**, Sagamihara (JP)

(**) Term: **15 Years**

(21) Appl. No.: **29/714,188**

(22) Filed: **Nov. 21, 2019**

(51) **LOC (13) Cl.** **15-09**

(52) **U.S. Cl.**
USPC **D15/144**

(58) **Field of Classification Search**
USPC 8/387, 393; 13/133, 182; 15/144, 144.1, 15/144.2
CPC B23K 11/30; B23K 11/31
See application file for complete search history.

(56) **References Cited**

U.S. PATENT DOCUMENTS

- 2,494,847 A * 1/1950 Welch B23K 11/31
219/86.41
- 3,215,811 A * 11/1965 Kroy B23K 11/31
219/120
- D295,361 S * 4/1988 Grant D8/30
- 4,940,875 A * 7/1990 Hill B23K 11/31
219/86.61
- 4,958,056 A * 9/1990 Tomac B23K 11/31
219/120
- D362,860 S * 10/1995 Carkhuff D15/144
- D365,345 S * 12/1995 Carkhuff D15/144
- 5,541,382 A * 7/1996 Taylor B23K 11/12
219/117.1
- 6,355,901 B1 * 3/2002 Nippert B23K 11/3018
219/119
- D496,376 S * 9/2004 Colson, Jr. D15/144

FOREIGN PATENT DOCUMENTS

DE 102013216167 A1 * 3/2015 B23K 11/31
JP 0452855 S 7/1977

(Continued)

OTHER PUBLICATIONS

“Joint Boss for Welded Diamond Shaver,” Internet. Available at http://www.homemaking.jp/product_info.php?products_id=162007. Version of Oct. 30, 2017, via Internet Archive. [Cited in JP 1644242].

Primary Examiner — Patricia A Palasik
(74) *Attorney, Agent, or Firm* — United IP Counselors, LLC

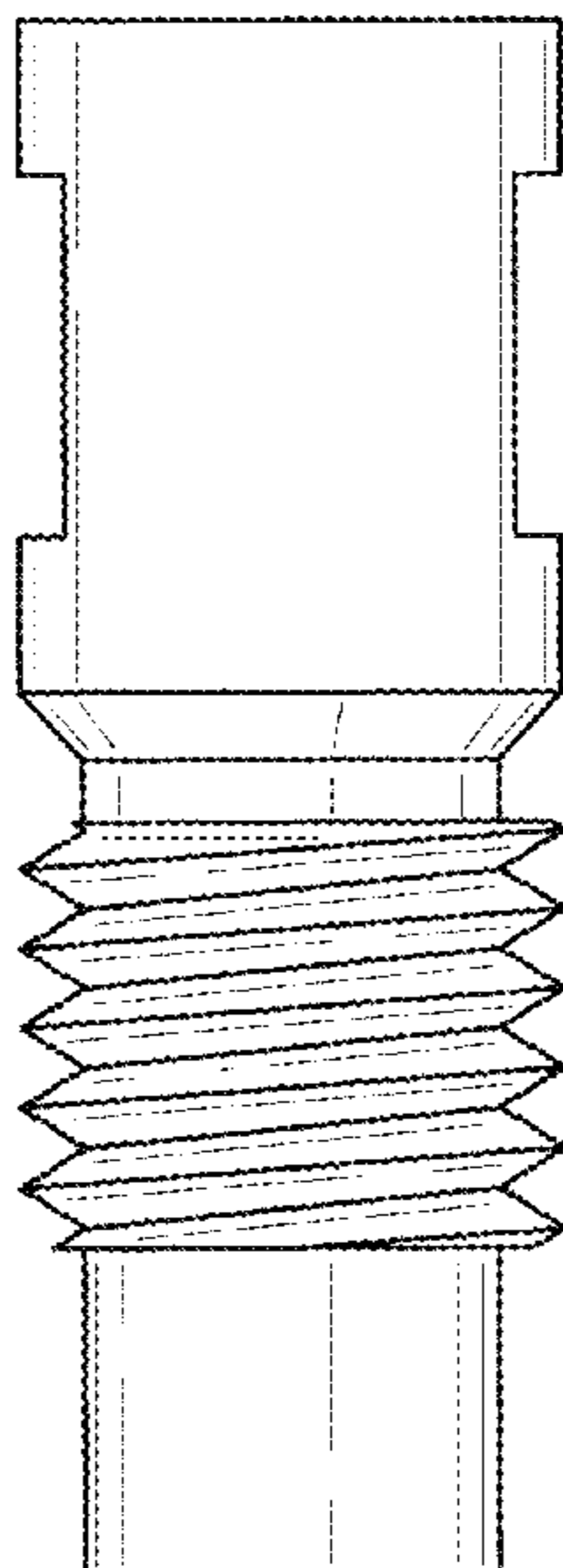
(57) **CLAIM**

The ornamental design for an adapter for an electrode for electric welding, as shown and described.

DESCRIPTION

FIG. 1 is a front elevational view of the adapter, illustrating my new design, the front and rear of the adapter being mirror images of one another;
FIG. 2 is a right elevational view of the adapter, the right and left sides of the adapter being mirror images of one another;
FIG. 3 is a top plan view of the adapter;
FIG. 4 is a bottom plan view of the adapter;
FIG. 5 is a cross-sectional view of the adapter, taken through Line 5-5 of FIG. 3; and,
FIG. 6 is a front elevational view of the adapter similar to the view of FIG. 1, illustrating environmental structure in broken lines. The structure shown in broken lines forms no part of the claimed invention.

1 Claim, 3 Drawing Sheets



(56)

References Cited

U.S. PATENT DOCUMENTS

D551,182	S *	9/2007	Furukawa	B23K 11/3018	
						D10/101
D647,547	S *	10/2011	Hidaka	B23K 11/31	
						D15/144
D692,402	S *	10/2013	Dalton	B23K 11/31	
						D13/182
D776,177	S *	1/2017	Namburu	B23K 11/12	
						D15/144
D776,935	S *	1/2017	White	B23K 11/318	
						D4/100
D777,812	S *	1/2017	Namburu	B23K 11/31	
						D15/144
D784,432	S *	4/2017	Yamaguchi	B23K 11/115	
						D15/144
9,730,307	B2 *	8/2017	Namburu	H05H 1/28	
D861,758	S *	10/2019	Severance, Jr.	D15/144	
2007/0175868	A1 *	8/2007	Christensen	B23K 11/115	
						219/86.25
2015/0336199	A1 *	11/2015	Prucher	B23K 11/3054	
						219/119
2021/0213558	A1 *	7/2021	Hidaka	B23K 11/318	

FOREIGN PATENT DOCUMENTS

JP	1025967-003	S	9/2000	
JP	1025967-004	S	9/2000	
JP	1245847	S	7/2005	
JP	1605917	S	6/2018	
JP	1617726	S	11/2018	
JP	1644242	S	10/2019	
KR	30-0852999	S	5/2016	
WO	WO-03011512	A1 *	2/2003 B23K 11/31
WO	WO-2008148762	A1 *	12/2008 B23K 11/3018
WO	WO-2020263813	A1 *	12/2020 B23K 35/0261

* cited by examiner

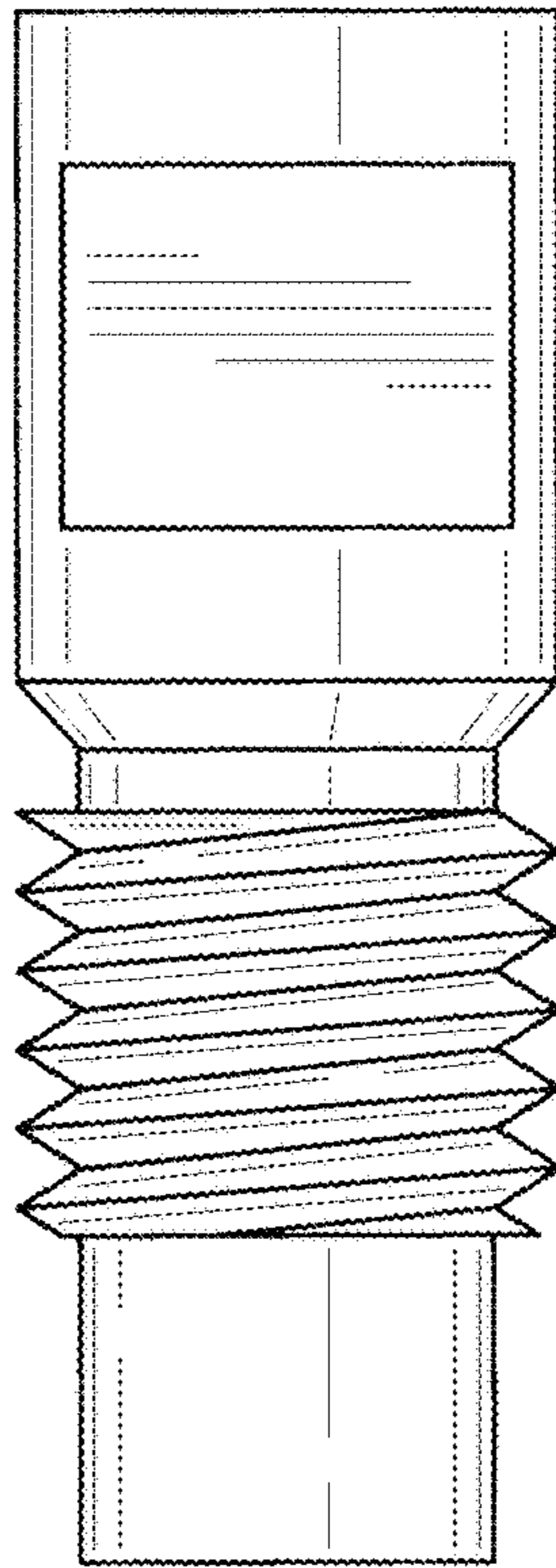


FIG. 1

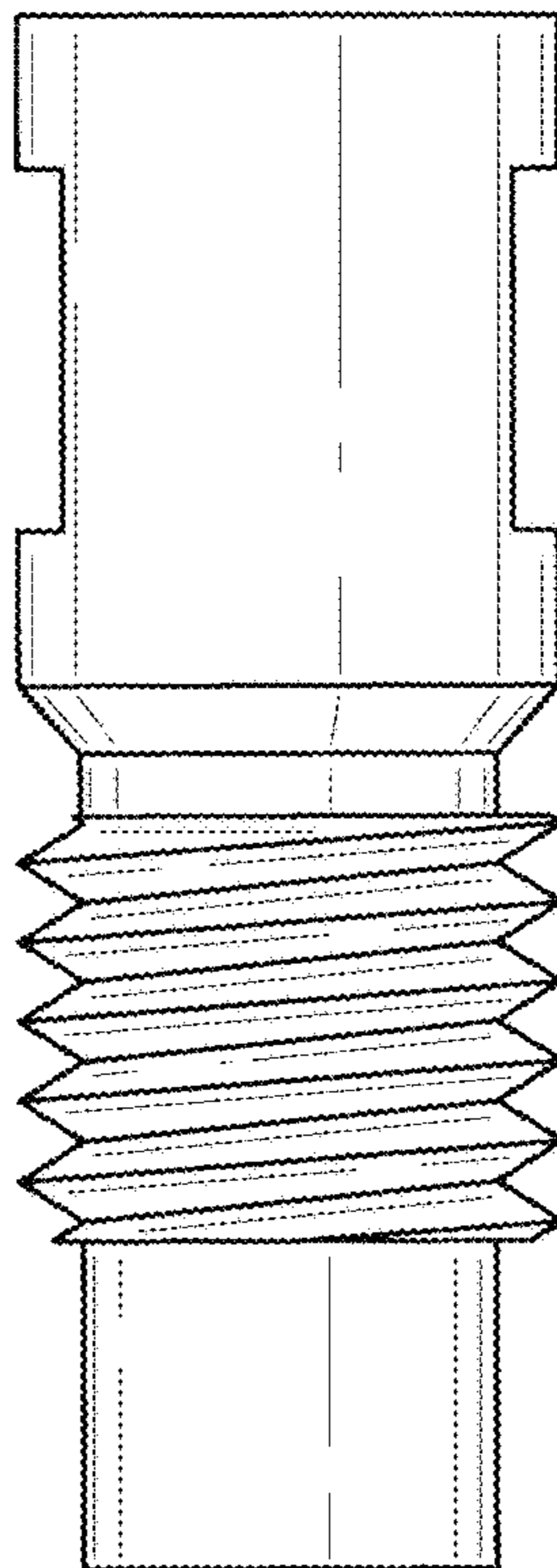


FIG. 2

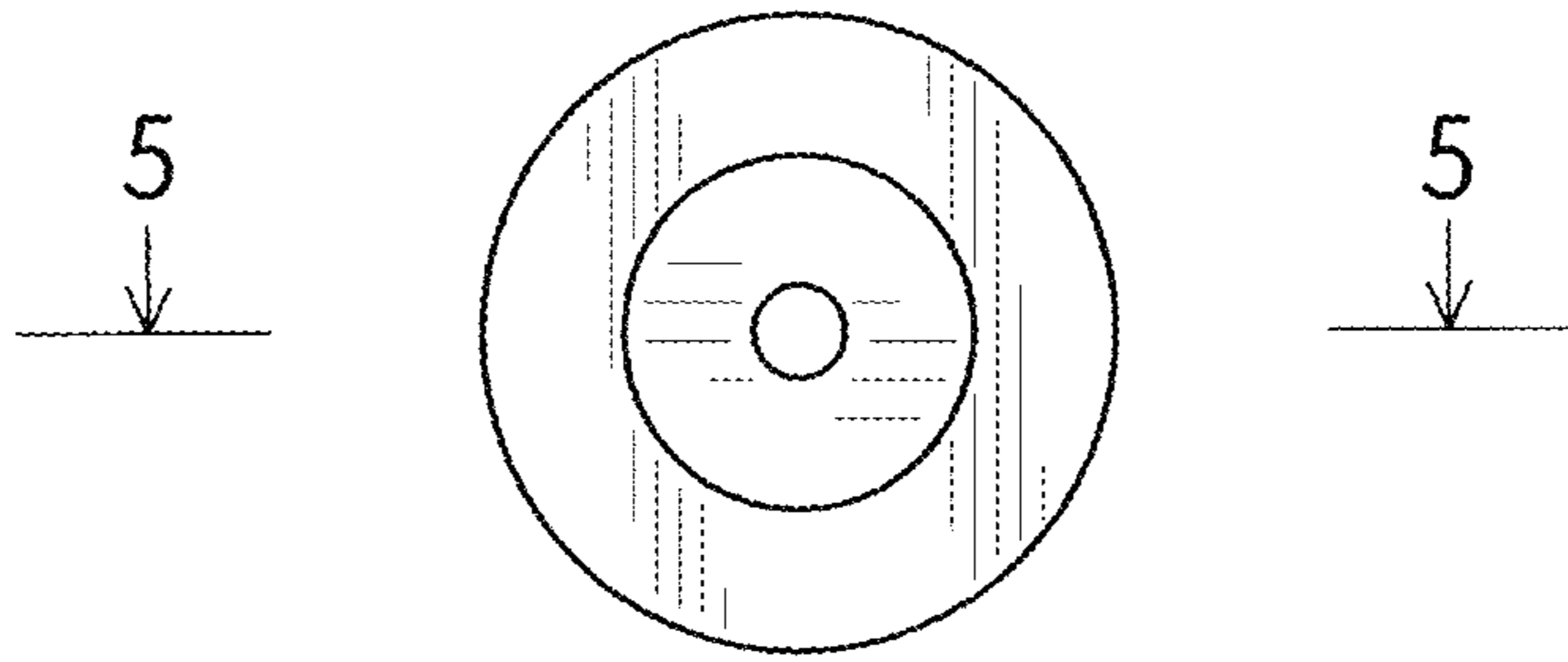


FIG. 3

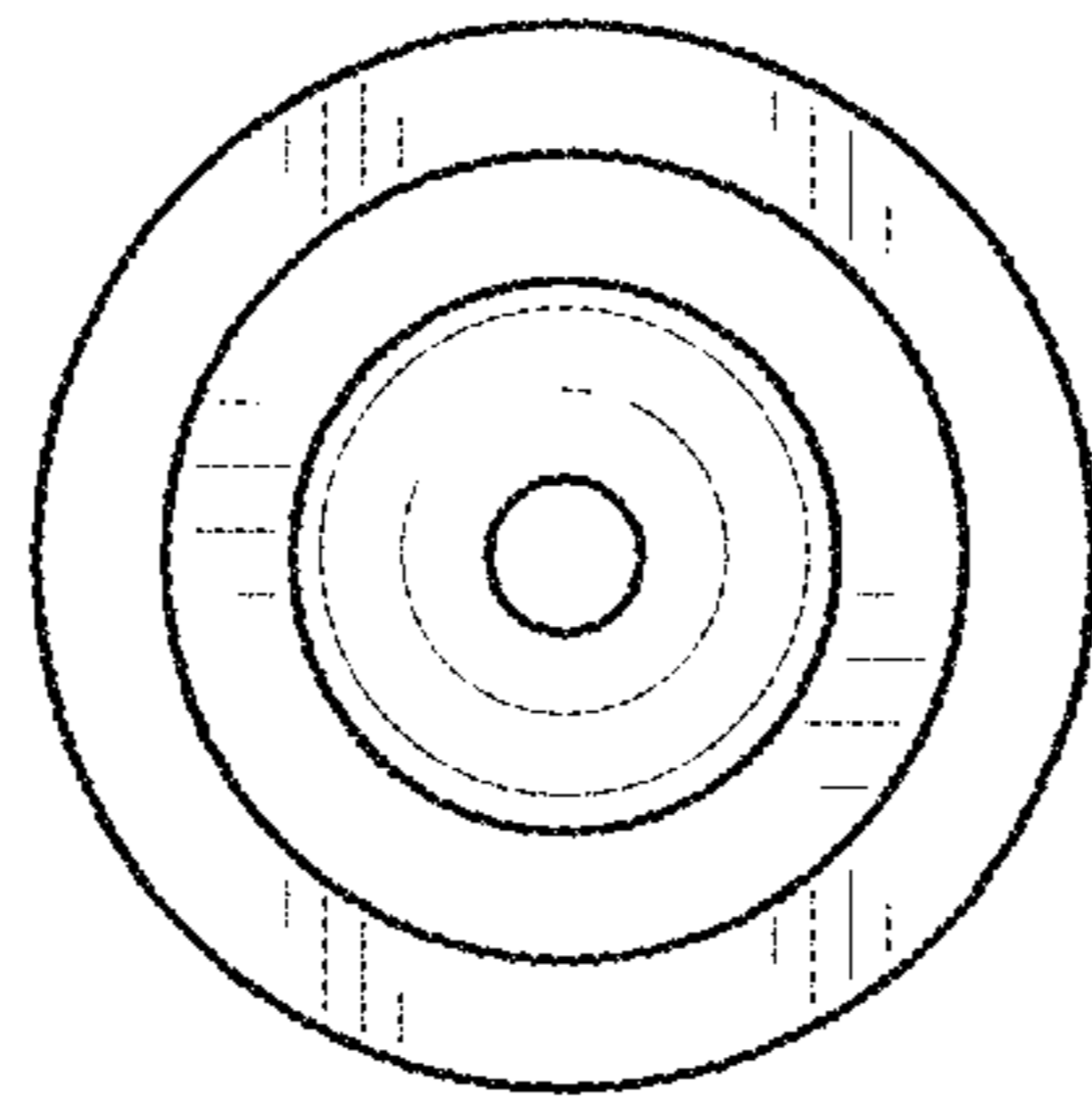


FIG. 4

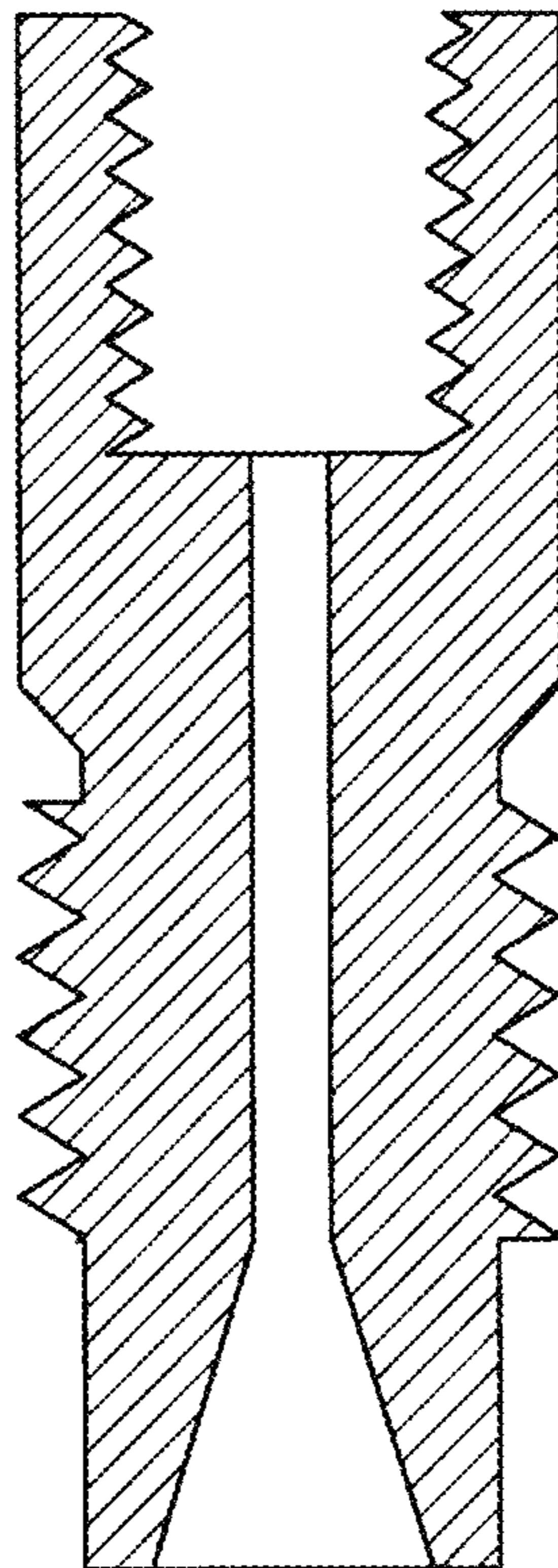


FIG. 5

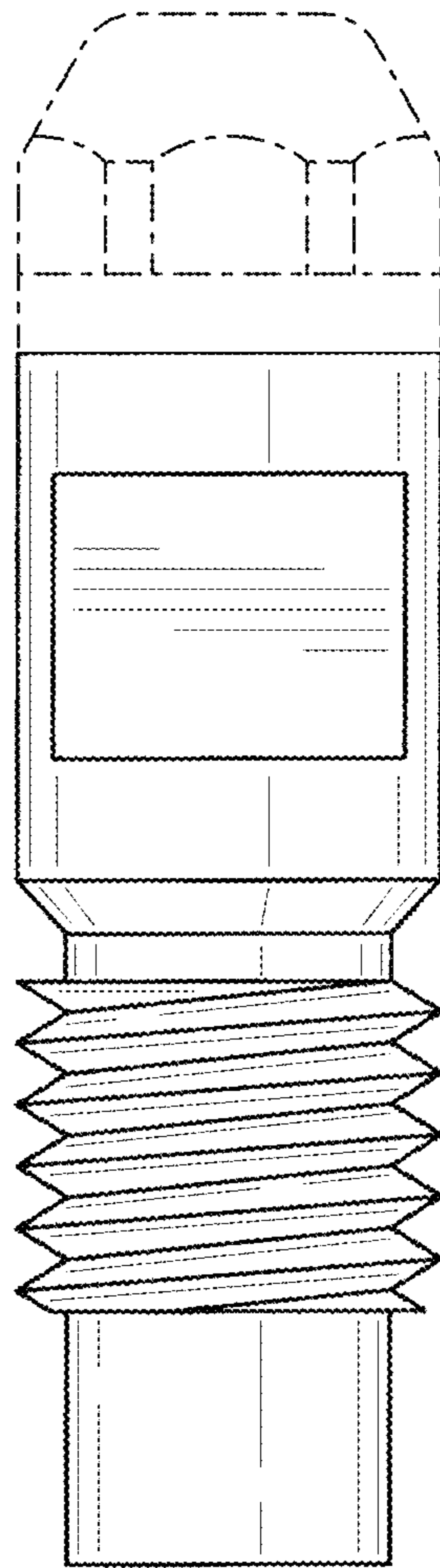


FIG. 6