

US00D940214S

(12) **United States Design Patent**  
**Flodman et al.**

(10) **Patent No.:** **US D940,214 S**  
(45) **Date of Patent:** **\*\* Jan. 4, 2022**

(54) **MILLING CUTTER TOOL**

CPC ..... B23B 51/02; B23B 51/048; E01C 23/088;  
Y10T 407/23

(71) Applicant: **SECO TOOLS AB**, Fagersta (SE)

See application file for complete search history.

(72) Inventors: **Rikard Flodman**, Arboga (SE); **Kent Karlsson**, Fellingsbro (SE)

(56) **References Cited**

(73) Assignee: **SECO TOOLS AB**, Fagersta (SE)

U.S. PATENT DOCUMENTS

(\*\*) Term: **15 Years**

D340,248 S	10/1993	Brady	
D926,846 S *	8/2021	Flodman .....	D15/139
D926,847 S *	8/2021	Flodman .....	D15/139
2007/0081873 A1	4/2007	Blomstedt et al.	
2007/0231088 A1	10/2007	Waggle et al.	

(21) Appl. No.: **29/784,883**

\* cited by examiner

(22) Filed: **May 21, 2021**

**Related U.S. Application Data**

*Primary Examiner* — Patricia A Palasik

(62) Division of application No. 29/681,696, filed on Feb. 27, 2019.

(74) *Attorney, Agent, or Firm* — Volpe Koenig

(30) **Foreign Application Priority Data**

(57) **CLAIM**

Aug. 29, 2018 (EM) .....	005623501-0001
Aug. 29, 2018 (EM) .....	005623501-0002
Aug. 29, 2018 (EM) .....	005623501-0003
Aug. 29, 2018 (EM) .....	005623501-0004
Aug. 29, 2018 (EM) .....	005623501-0005
Aug. 29, 2018 (EM) .....	005623501-0006

We claim the ornamental design for a milling cutter tool, as shown and described.

(51) **LOC (13) Cl.** ..... **15-09**

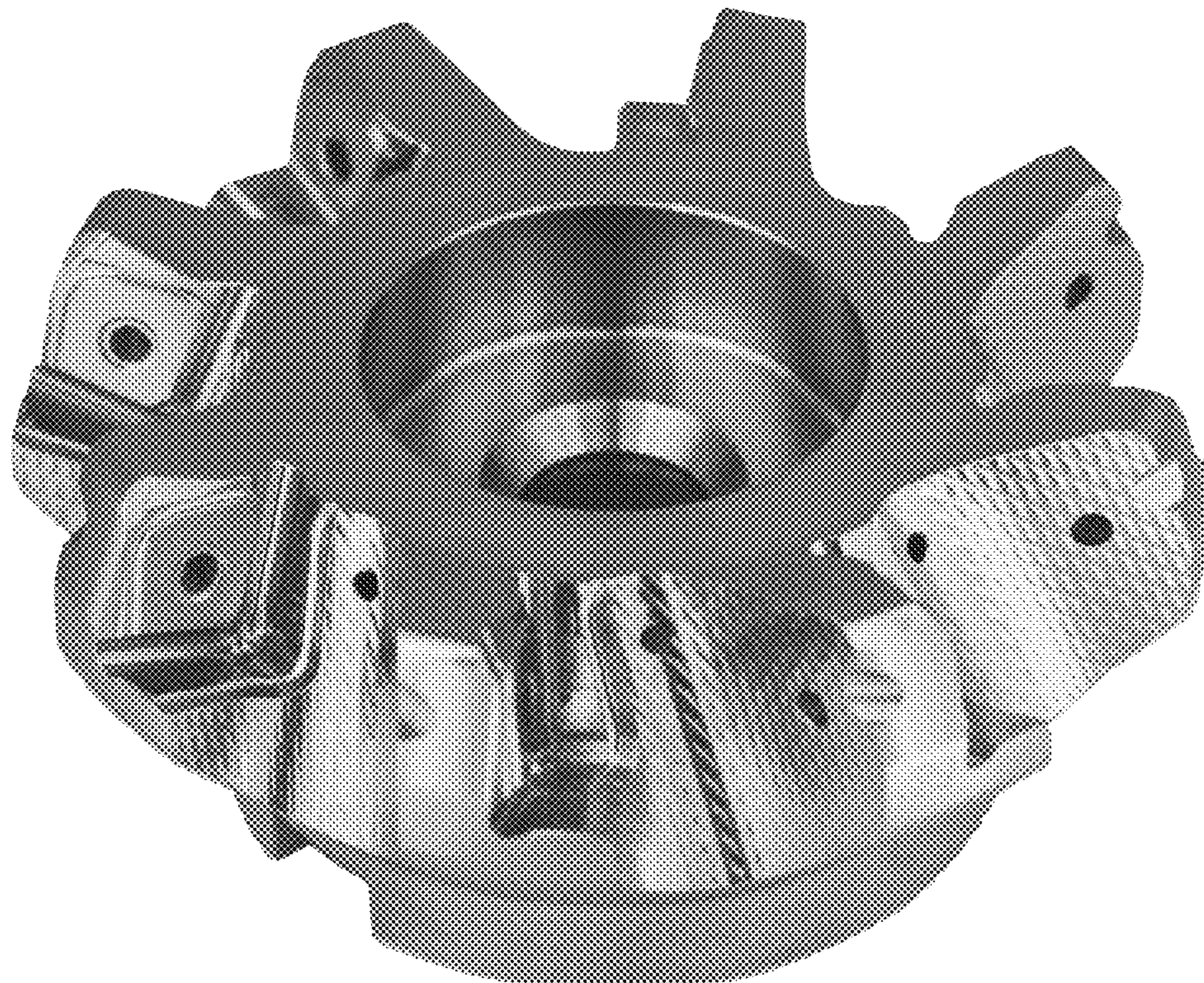
**DESCRIPTION**

(52) **U.S. Cl.**  
USPC ..... **D15/139**

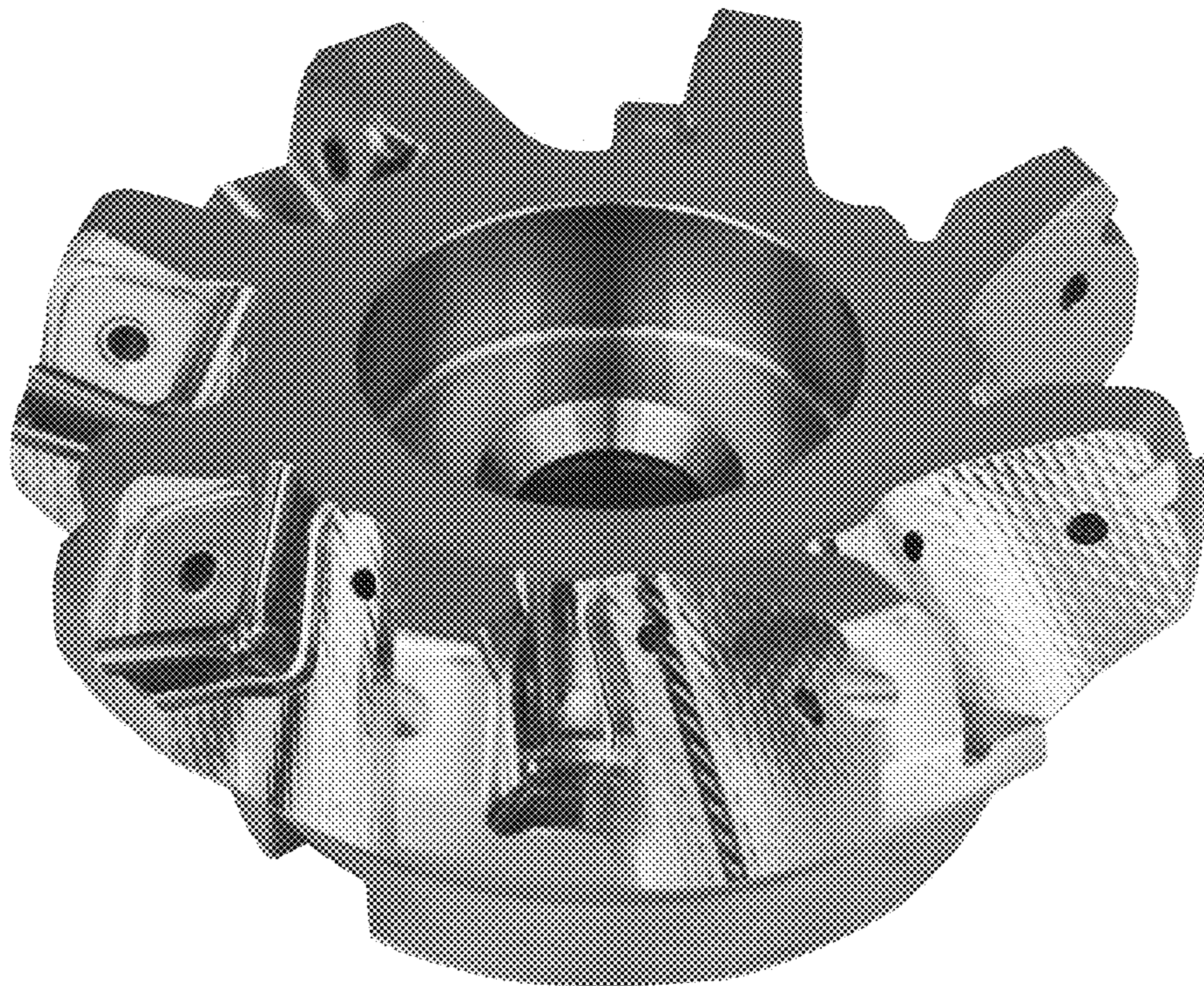
FIG. 1 is a perspective view of a milling cutter tool in accordance with our design;  
FIG. 2 is a top plan view thereof;  
FIG. 3 is a front elevational view thereof;  
FIG. 4 is a left side elevational view thereof;  
FIG. 5 is a rear elevational view thereof;  
FIG. 6 is a right side elevational view thereof; and,  
FIG. 7 is a bottom plan view thereof.

(58) **Field of Classification Search**  
USPC ..... D8/20, 70, 71; D15/21, 28, 126, 131,  
D15/132, 138, 139

**1 Claim, 7 Drawing Sheets**







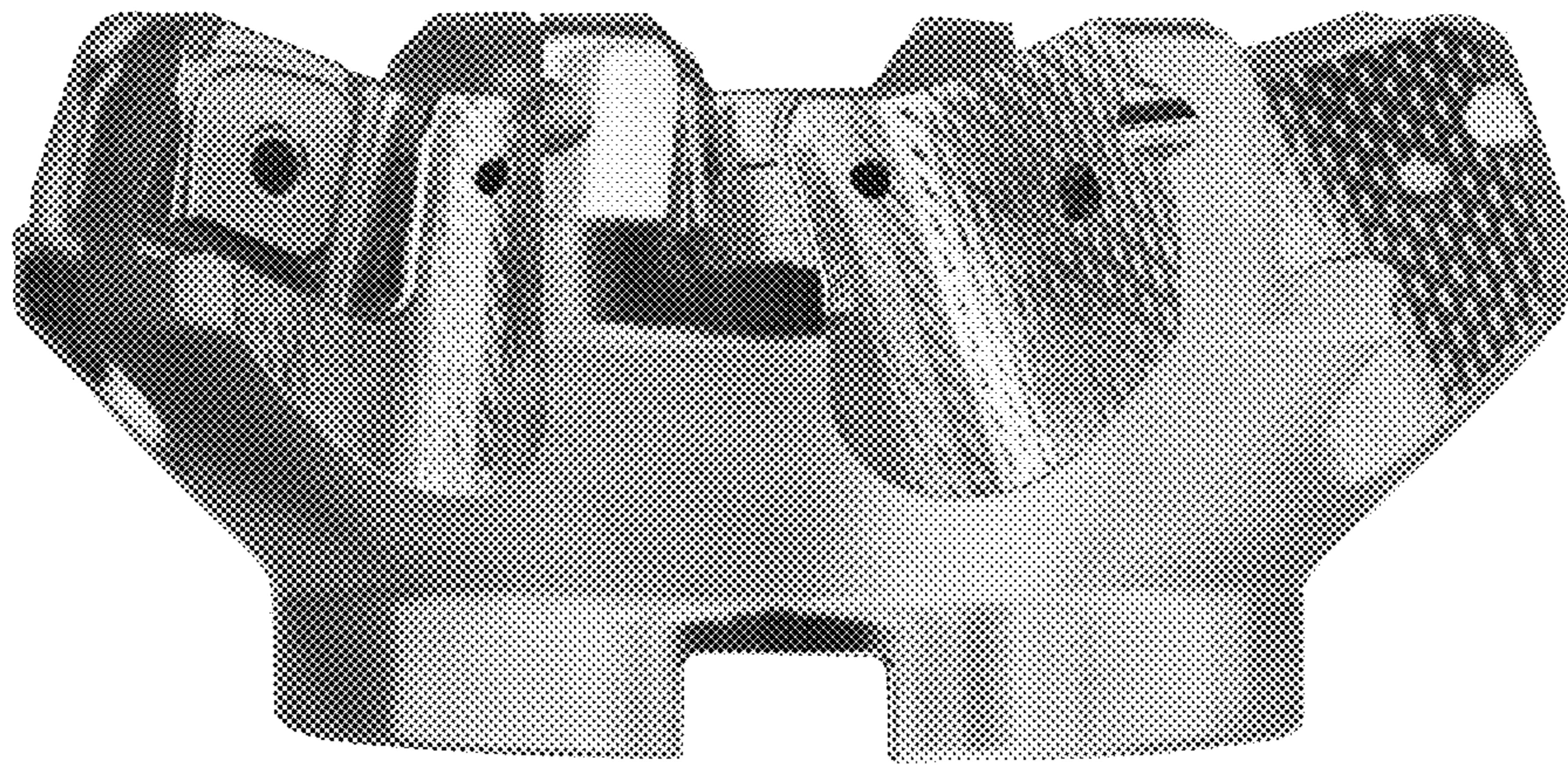
*Fig. 1*



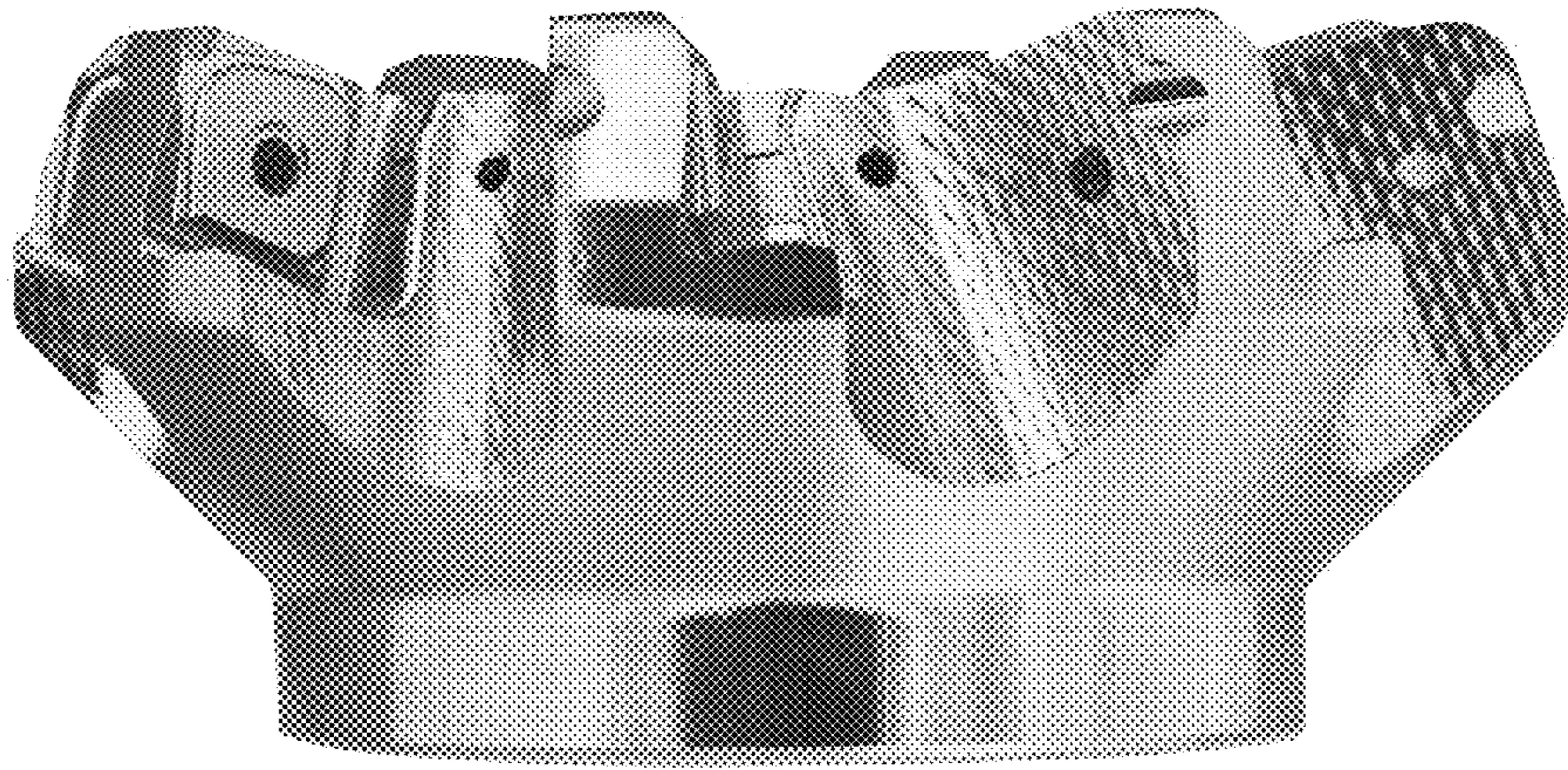


*Fig. 2*



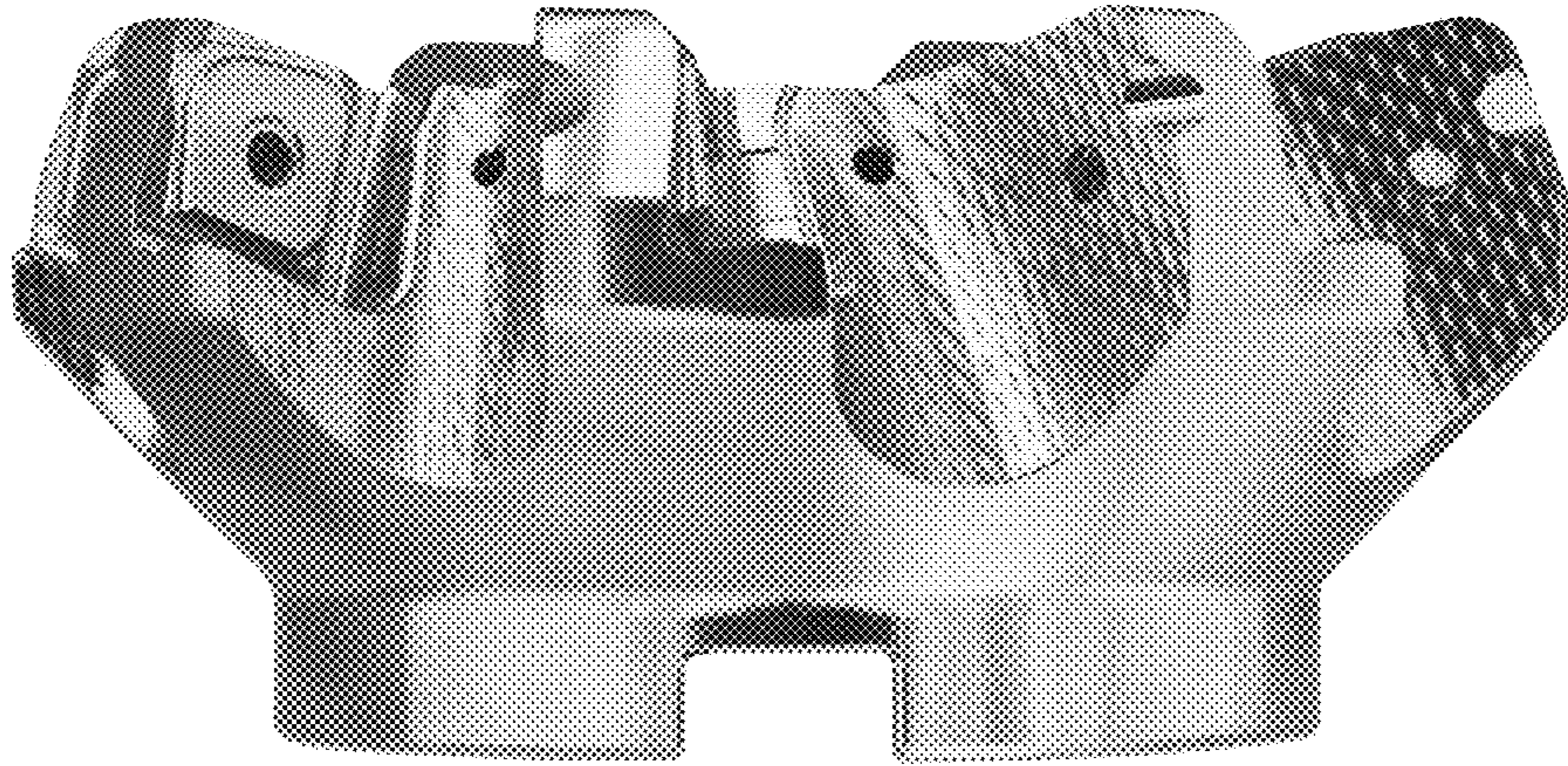


*Fig. 3*

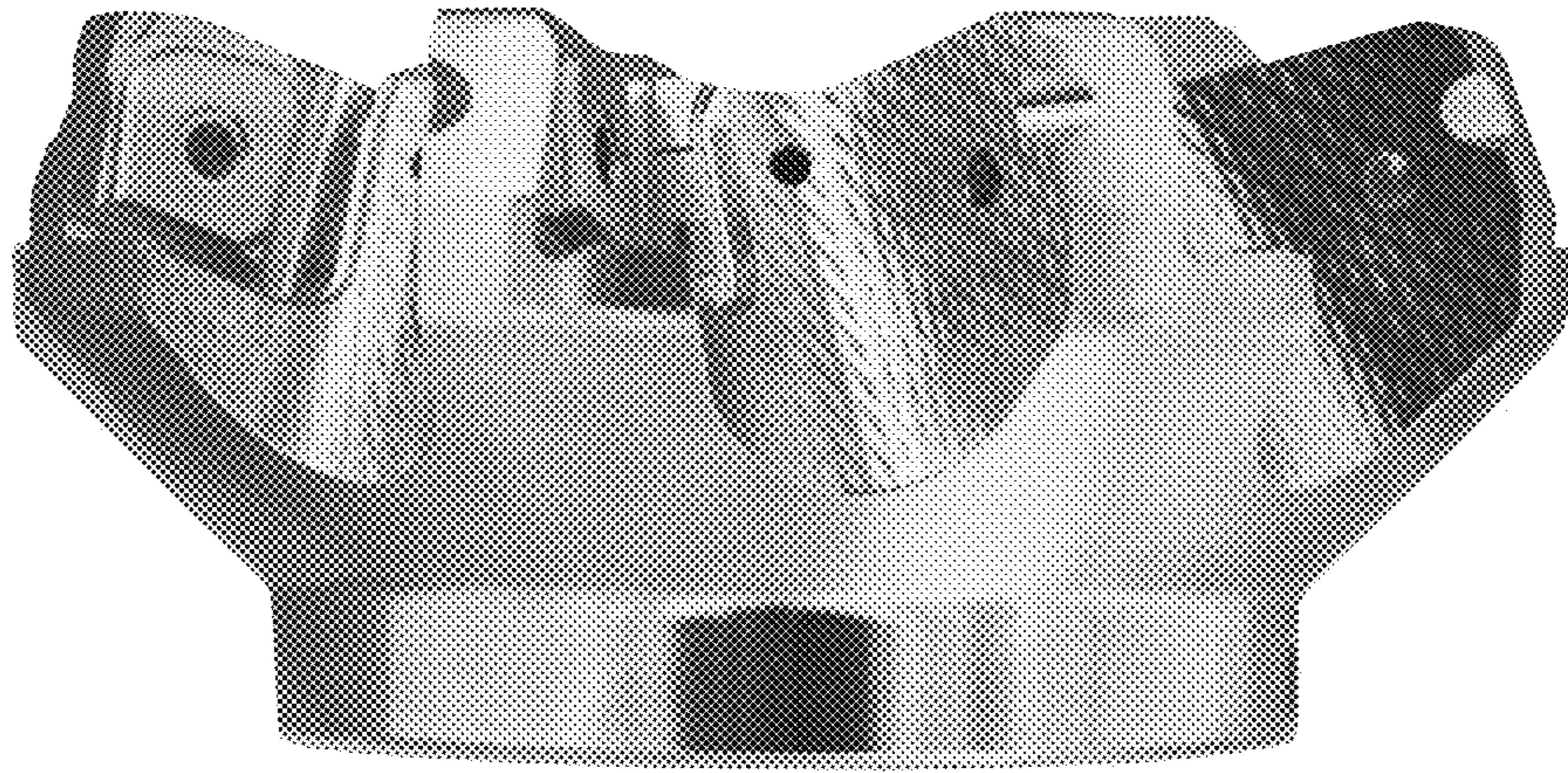


*Fig. 4*



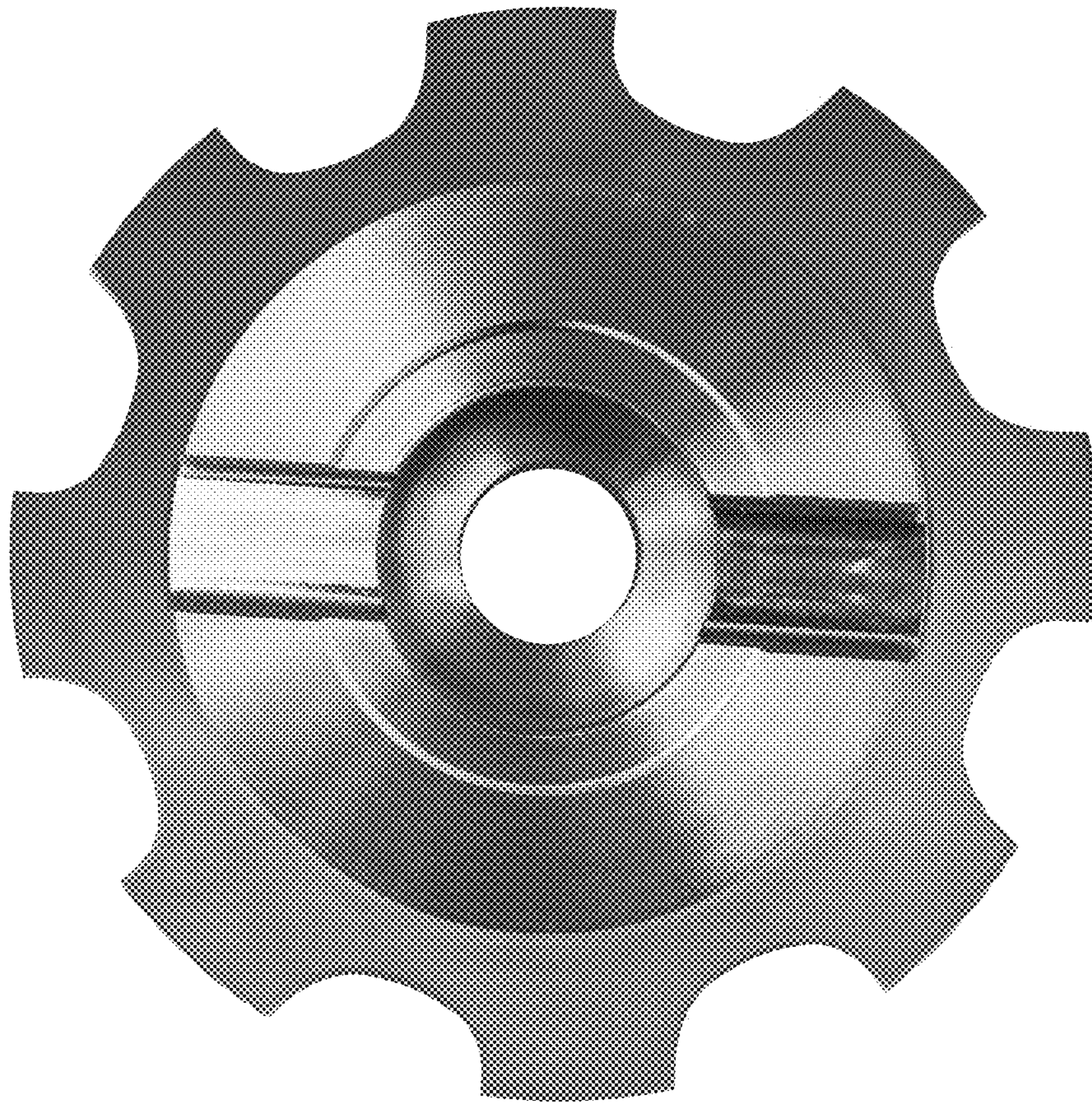


*Fig. 5*



*Fig. 6*





*Fig. 7*