



US00D940212S

(12) **United States Design Patent**
Meron et al.

(10) **Patent No.:** **US D940,212 S**
(45) **Date of Patent:** **** Jan. 4, 2022**

- (54) **WIPER ASSEMBLY**
- (71) Applicant: **Stratasys Ltd.**, Rehovot (IL)
- (72) Inventors: **Mordechay Meron**, Herzliya (IL);
Hanan Azran, Ashdod (IL)
- (73) Assignee: **Stratasys Ltd.**, Rehovot (IL)
- (**) Term: **15 Years**
- (21) Appl. No.: **29/740,529**
- (22) Filed: **Jul. 6, 2020**
- (51) **LOC (13) Cl.** **15-09**
- (52) **U.S. Cl.**
USPC **D15/138**
- (58) **Field of Classification Search**
USPC D15/122, 135, 136, 138, 141; D18/14,
D18/18, 19, 36, 50, 54, 54.1, 55, 59
CPC B08B 1/005; B08B 1/006; B41J 2/16535;
B41J 2/16538; B41J 29/17
See application file for complete search history.

- (56) **References Cited**
U.S. PATENT DOCUMENTS
D634,340 S * 3/2011 Luotoharju
D634,341 S * 3/2011 Luotoharju
D634,342 S * 3/2011 Luotoharju
D714,369 S * 9/2014 Braga D15/138
D714,370 S * 9/2014 Braga D15/138

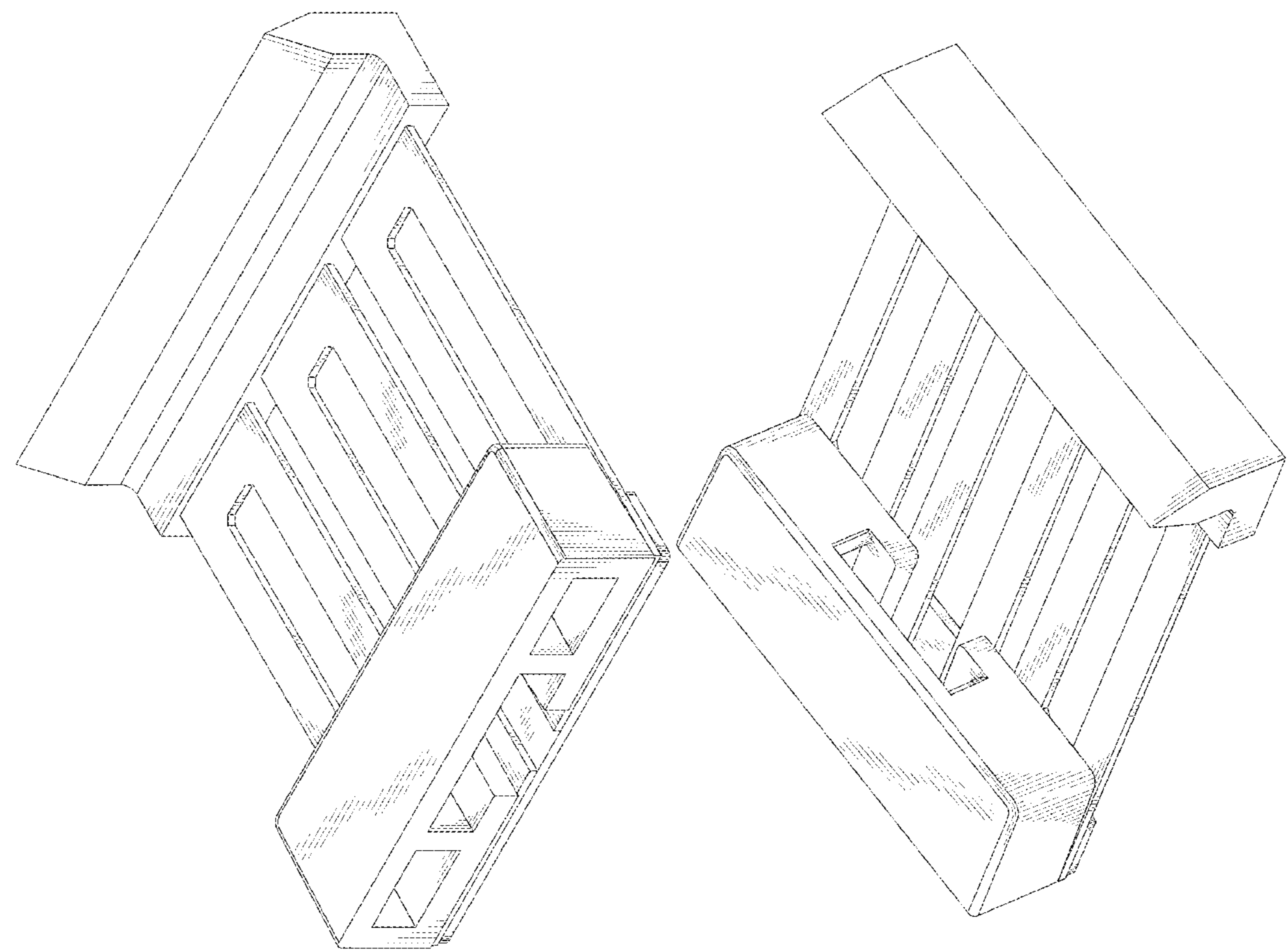
| | | | | |
|--------------|---------|-------------|-------|---------|
| D714,371 S * | 9/2014 | Braga | | D15/138 |
| D765,157 S * | 8/2016 | Matsumoto | | D15/138 |
| D809,028 S * | 1/2018 | Imahase | | |
| D812,113 S * | 3/2018 | Sakaguchi | | D15/135 |
| D812,114 S * | 3/2018 | Sakaguchi | | D15/135 |
| D812,654 S * | 3/2018 | Brusilovski | | D15/122 |
| D813,277 S * | 3/2018 | Terabe | | D15/135 |
| D815,161 S * | 4/2018 | Sakaguchi | | D15/135 |
| D824,434 S * | 7/2018 | Scholey | | D15/135 |
| D828,234 S * | 9/2018 | Hoehn | | D12/114 |
| D900,175 S * | 10/2020 | MacNeil | | D15/138 |
| D909,439 S * | 2/2021 | Kroneberger | | D15/144 |

* cited by examiner
Primary Examiner — Michael C Stout
Assistant Examiner — Fritzgerald L Butac

(57) **CLAIM**
The ornamental design for a wiper assembly, as shown and described.

DESCRIPTION
FIG. 1 is a rear view of a wiper assembly, showing our new design;
FIG. 2 is a bottom view thereof;
FIG. 3 is a front view thereof;
FIG. 4 is a rear, top perspective view thereof;
FIG. 5 is a front, top perspective view thereof;
FIG. 6 is a left side view thereof;
FIG. 7 is a right side view thereof; and,
FIG. 8 is a top view thereof.

1 Claim, 8 Drawing Sheets



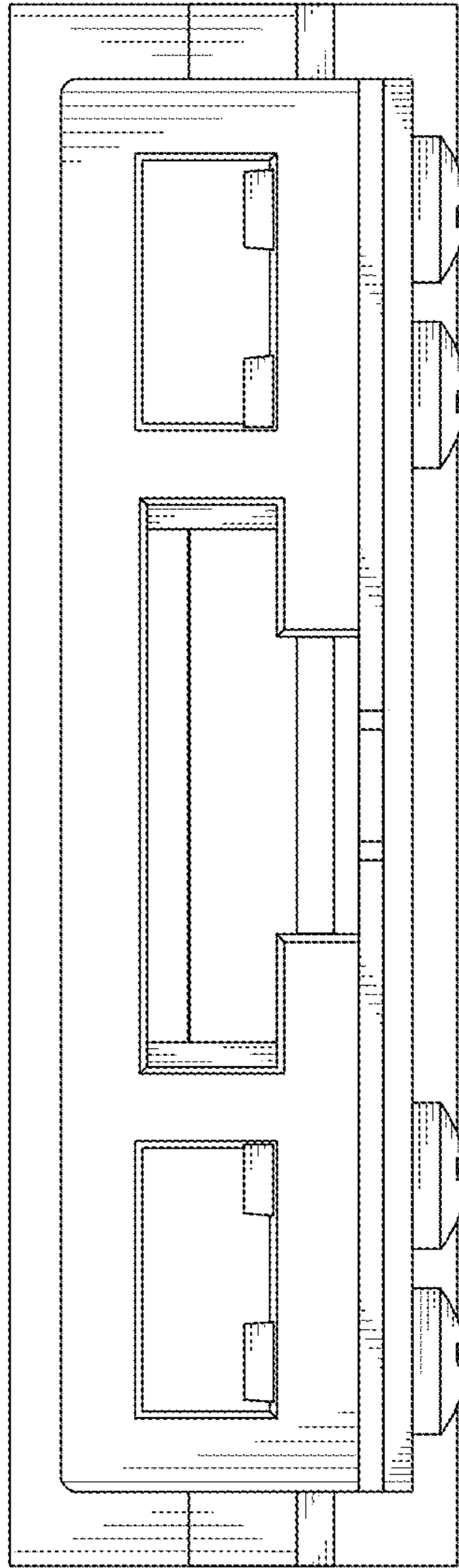


FIG. 1

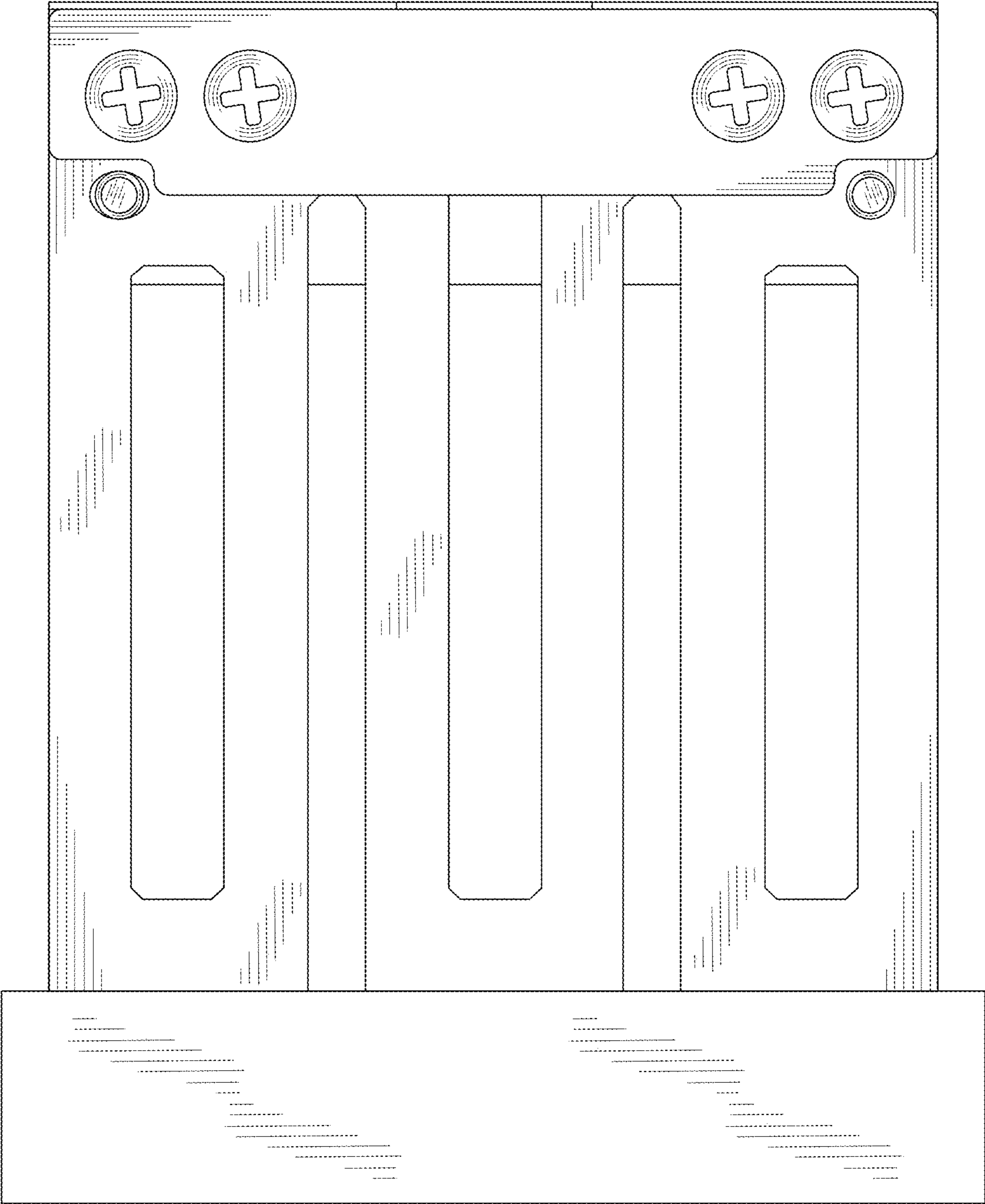


FIG. 2

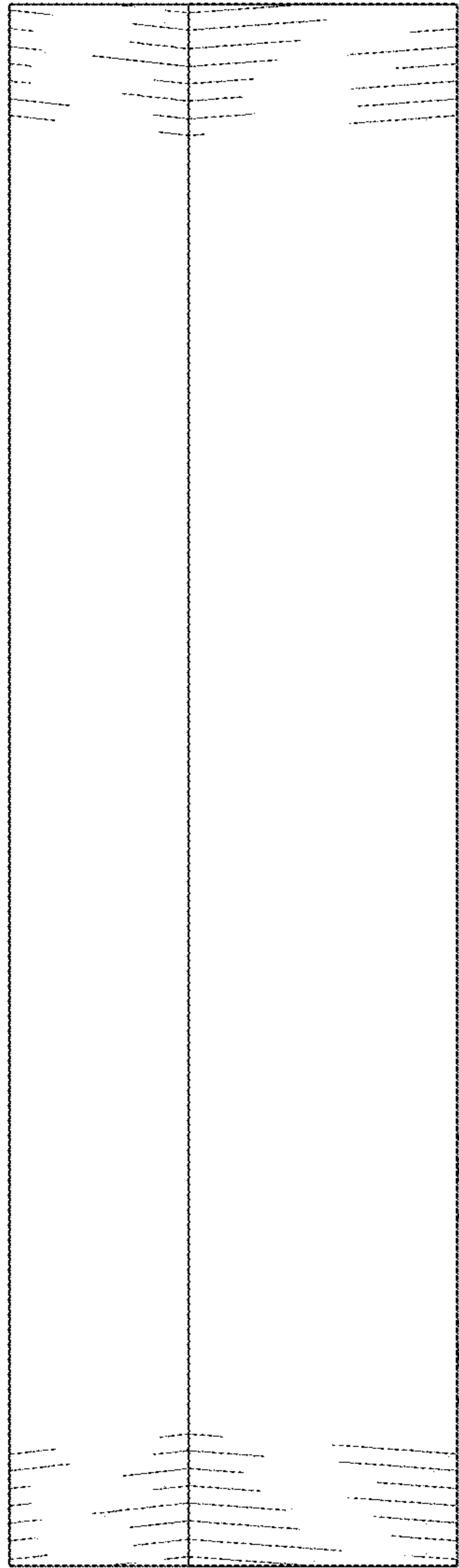


FIG. 3

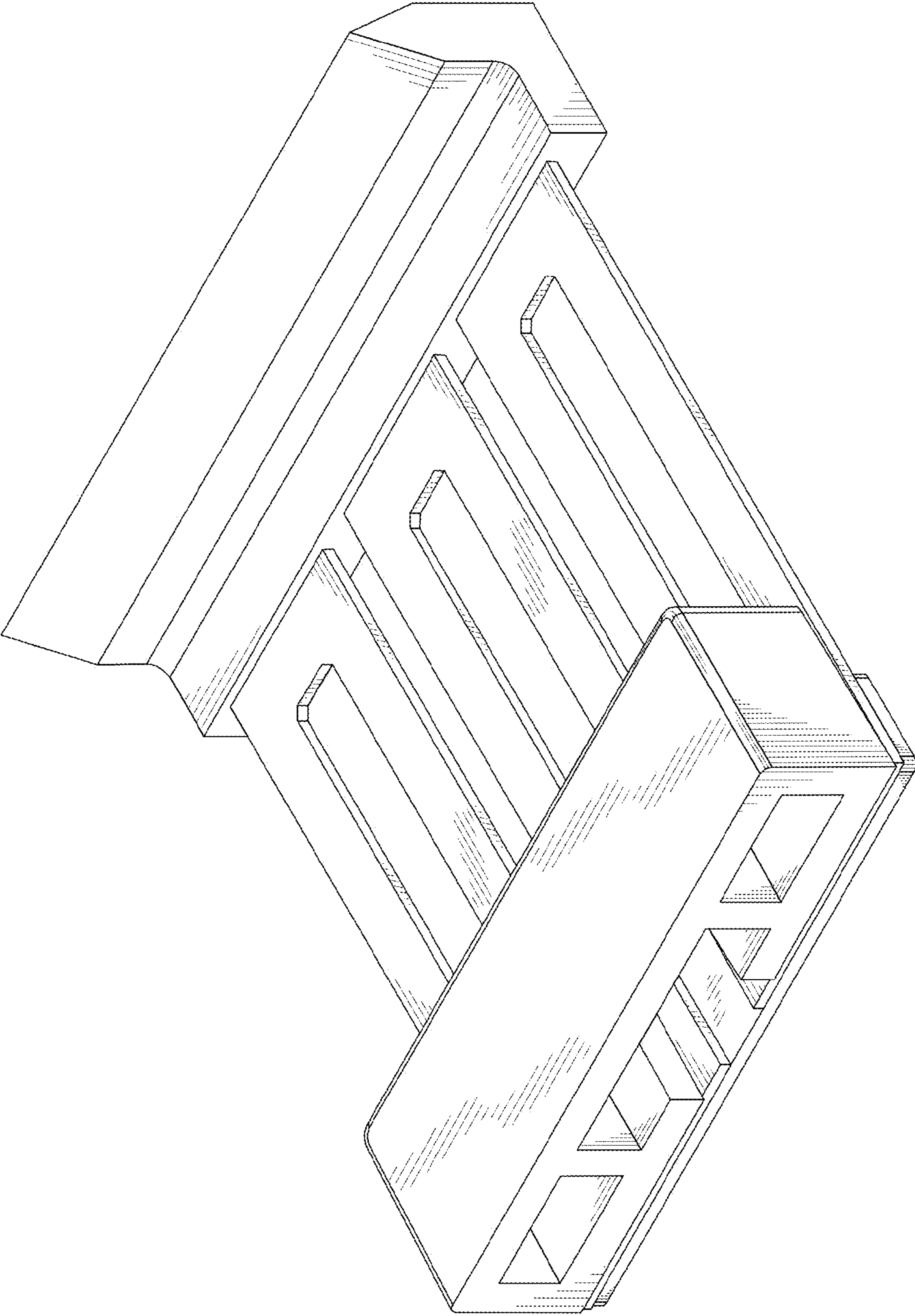


FIG. 4

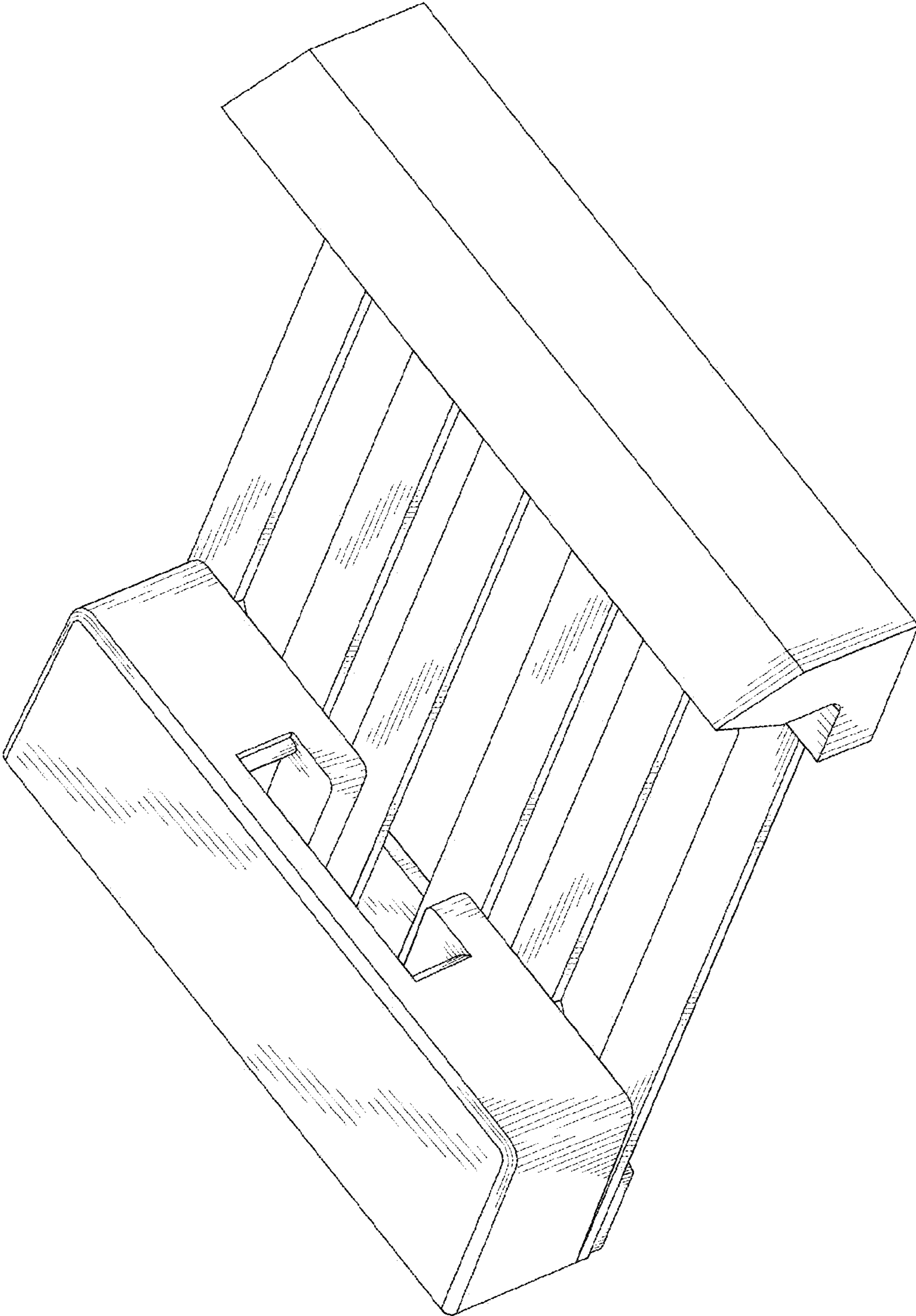


FIG. 5

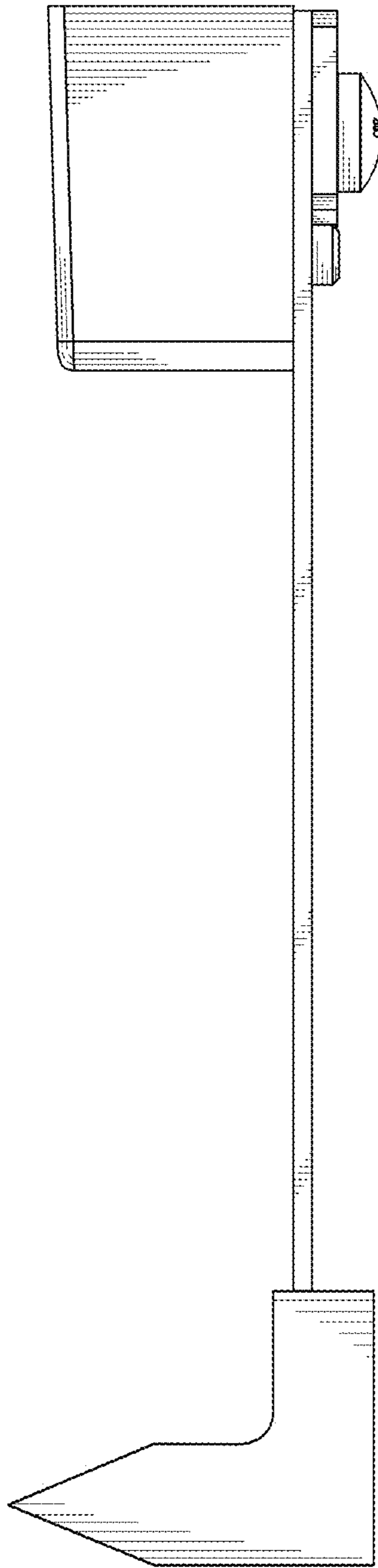


FIG. 6

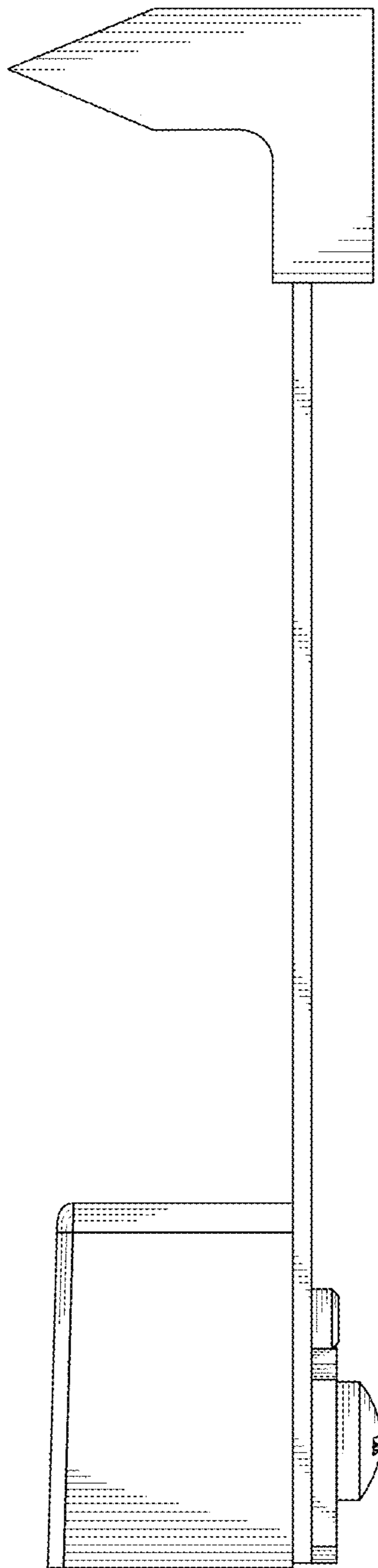


FIG. 7

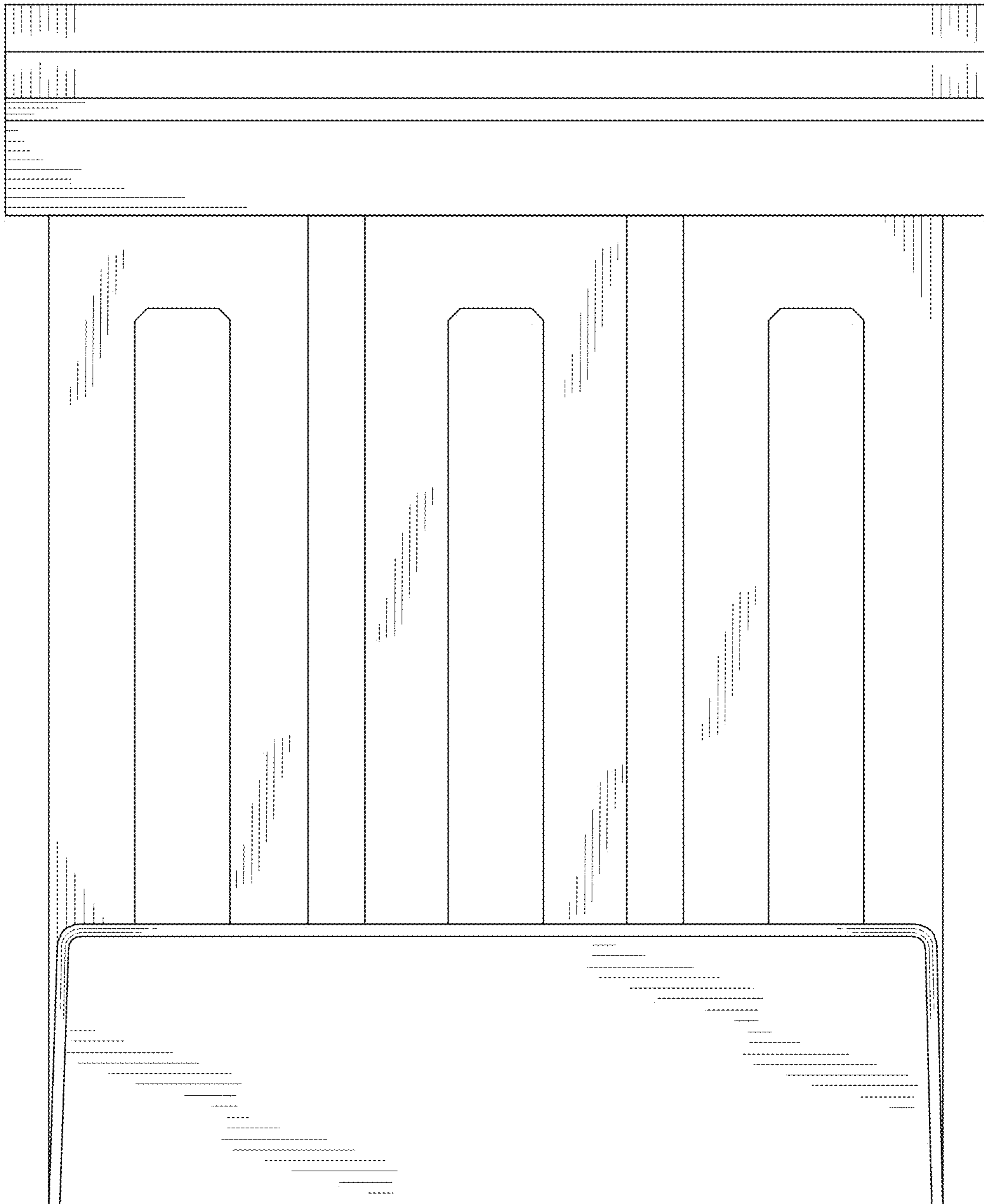


FIG. 8